



DELUXE TILT-TOP OVERBED TABLE

ZT-043

USER MANUAL

FEATURES:

1. Table-top height can be easily adjusted from 68½”cm to 114cm by undoing the height Adjustment knob, and then lifting the table to required height and retightening the knob.
2. Small fixed table top and Large tilting table top.
3. Four easy rolling 4cm castors, two with locking facility.
4. Maximum loading capacity 10kg.

ASSEMBLY

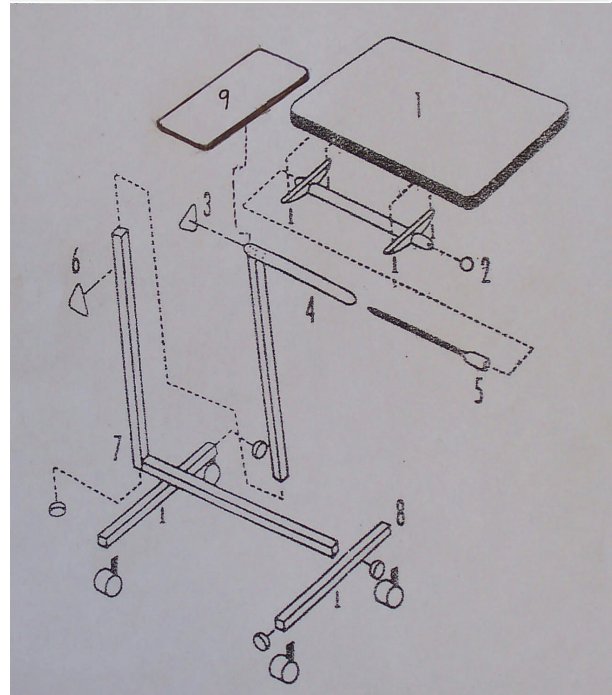
1. Remove parts from packaging.
2. Screw the two base legs (PART 8) onto the outer frame mast (PART 7) with the two locking castors at the mast end.
3. Screw the small table top (PART 9) to (PART 4) inner mast.
4. Insert the inner mast (PART 4) into the outer frame mast (PART 7) and tighten the height adjustment knob (PART 6).
5. Slide the tilting mechanism (PART 5) into the inner frame mast (PART 4) and attach the tilt control knob (PART 3) (DO NOT TIGHTEN UP TIGHT).
6. Slide the table top (PART 1) onto the inner mast (PART 4) and tighten up (PART 3) tilt control knob.
7. Your table is now ready for use.

WARNING

1. Do not lean on the suspended end of the table at anytime as this may cause the table to tip.
2. Do not put any burning items on the table as it may catch fire.
3. Make sure the tilt control knob and height control knob are tight at all times.

MAINTENANCE

1. Periodically check all the nuts, bolts and adjustment knobs are securely fastened.
2. Gently wipe the table top with a damp cloth to remove dirt and dust.
3. To clean any stubborn grime, clean with mild soap and water. Do not use abrasive cleansers that may damage the finish of the table, be certain to thoroughly dry the table top with a soft cloth before use.



Please ensure that this manual is read and understood before using the Overbed Table

Z-Tec Mobility, Unit 1B, Albion Works, Moor Street, Brierley Hill, West Midlands, DY5 3SZ

(April.07/1)