

Oster®



MODEL

2611-049

INSTRUCTION MANUAL

6-SPEED HAND/STAND MIXER

PLEASE READ ALL INSTRUCTIONS BEFORE USING THIS APPLIANCE

IMPORTANT SAFEGUARDS

When using electrical appliances, basic safety precautions should always be followed, including the following:

1. **READ ALL INSTRUCTIONS BEFORE USE.**
2. To protect against risk of electrical shock, **DO NOT** put hand/stand mixer in water or other liquid. This may cause personal injury and/or damage to the product.
3. To disconnect, turn off controls and unplug from outlet.
4. Unplug from outlet while not in use, before putting on or taking off parts and before cleaning.
5. Avoid contact with moving parts. Keep hands, hair, clothing, as well as spatulas and other utensils away from beaters during operation to reduce the risk of injury to persons and/or damage to the hand/stand mixer.
6. **DO NOT** operate hand/stand mixer with a damaged cord or plug, after the appliance malfunctions, or if it is dropped or damaged in any manner. Return appliance to the nearest Authorized Oster® Service Center for examination, repair or electrical or mechanical adjustment.
7. The use of attachments not recommended or sold by manufacturer may cause fire, electrical shock or injury.
8. **DO NOT** let cord hang over edge of table or countertop.
9. **DO NOT** let cord touch hot surfaces, including a stove.
10. **DO NOT** use outdoors or for commercial purposes.
11. Remove beaters/dough hooks from hand/stand mixer before washing them.
12. **DO NOT** place hand/stand mixer on or near a hot burner or in a heated oven.
13. **DO NOT** use hand/stand mixer for other than intended use.
14. **DO NOT** leave hand/stand mixer unattended while it is operating.
15. Maximum running time for product is 5 continuous minutes.
16. This appliance is not intended for use by persons (including children) with reduced physical, sensory or mental capabilities, or lack of experience and knowledge, unless they have been given supervision or instruction concerning use of the appliance by a person responsible for their safety. Children should be supervised to ensure that they do not play with the appliance.
17. Close supervision is necessary when any appliance is used by or near children, or incapacitated individuals.
18. The instructions shall state that appliances are not intended to be operated by means of an external timer or separate remote-control system.

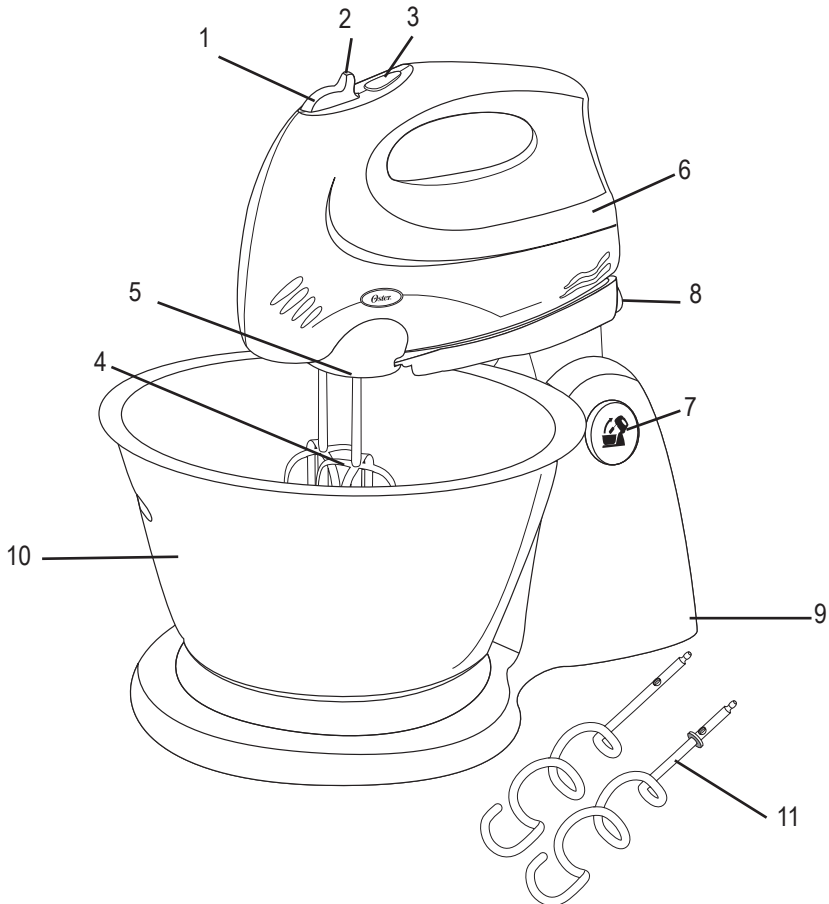
THIS UNIT IS FOR HOUSEHOLD USE ONLY.

SAVE THESE INSTRUCTIONS

WELCOME

Congratulations on your purchase of an OSTER® Hand Mixer!
To learn more about OSTER® products, please visit us at www.oster.in.

DESCRIPTION OF THE APPLIANCE



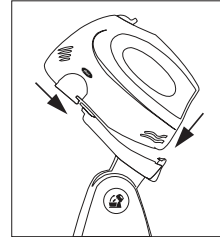
- | | |
|---|-------------------------|
| 1. On/Off Speed Control – Beater Eject Button | 7. Raise/ Lower Button |
| 2. Thumb Tab | 8. Lock & Release Latch |
| 3. Burst of Power Button | 9. Mixer Stand |
| 4. Beaters | 10. Mixing Bowl |
| 5. Large Drive Hole | 11. Dough Hooks |
| 6. Mixer | |

LEARNING YOUR HAND/STAND MIXER

You can use the Mixer to mix and knead. The Mixer can be easily removed from the stand in a moment and used as a standard Hand Mixer.

PREPARING FOR USE

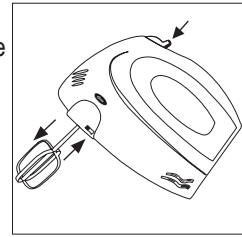
Placing and securing the Mixer to the stand (figure 2). Before placing and securing the Mixer to the stand, switch unit off "O" and unplug from the electrical outlet. Place the grooves located in the bottom of the Hand Mixer (see figure 2) onto the tips of the holding base of the stand. Then push the back of the Hand Mixer down until it locks into place with a click sound. To remove it, push the lower end of the Lock & Release Latch and lift the Hand Mixer up then forward.



(figure 2)

INSERTING/ EJECTING BEATERS & DOUGH HOOKS

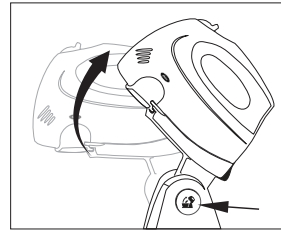
Before releasing the Beaters or Dough Hooks, switch off the Mixer and remove the plug from the electrical outlet. Push the Beaters or Dough Hooks into the slots located under of the mixer, until they click into place. The two Dough Hooks have different plug shapes and must be pushed into the correct slots. Inserting the wrong way would lead the dough to "move" upwards. One of the Dough Hooks has an additional small ring near the collar on the shaft. This Dough Hook will only fit in the slot for which it is intended. To remove the accessories, hold firmly with one hand, while pressing the Beater Ejector Button (figure 3).



(figure 3)

RAISING/ LOWERING THE MIXER

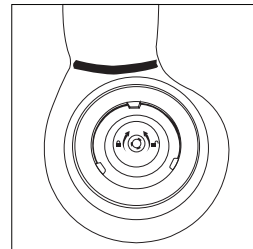
Ensure the Mixer is switched off before raising/ lowering. Press the Raise/ Low Button (figure 4) and lift the Mixer up or lower it until it clicks in place. This will facilitate removal of Beaters as well the Bowl.



(figure 4)

PLACING/ REMOVING THE MIXING BOWL

Place the Mixing Bowl on the rotating plate of the Stand (figure 5) and latch in place by gently turning it clockwise. To remove it, turn it counterclockwise to unlatch. It may be necessary to hold the base to prevent it from rotating. The off-center position of the Mixer makes it easy to add ingredients while the Mixer is in operation.



(figure 5)

USING YOUR HAND/STAND MIXER

Before using your Hand/Stand Mixer for the first time, wash the Beaters, Dough Hooks and Bowl in hot/ soapy water, or the dishwasher. Rinse and dry. Be sure the speed controls are in the "0" position and the unit is unplugged from an electrical outlet. Plug cord into an electrical outlet. Insert Beaters as indicated above.

MIXING WITH THE STAND MIXER

The On/ Off Speed is used to switch the Mixer on and control the Mixer speed. For every speed selected, the Burst of Power Feature Button can be pressed and held when the appliance is in operation to achieve the maximum power within the selected speed. You can add ingredients to the bowl while mixing or switch it off, raise the mixer and then add the ingredients. Once you are done adding the ingredients, lower the mixer and start the mixing process again until you reach the desired consistency.

NOTE: The Mixer must not be run continuously for more than 5 minutes at a time. After this time, allow it to cool for at least 5 minutes before re-using.

MIXING WITH THE HAND MIXER

Remove Mixer from the stand, please refer to the instructions on the section "PLACING/ REMOVING THE MIXING BOWL". Turn mixer on and refer to speed guide for the correct setting. Slowly guide mixer around sides and through center of bowl, going in the same direction. Be careful not to overbeat the mixture. Overbeating tends to make some mixtures tough. Whenever scraping of the bowl is required, stop the mixer and scrape sides and bottom of bowl with a rubber spatula as needed. Turn speed control to the off position "O" and rest mixer on its heel rest while adding ingredients. Be sure to position beaters over mixing bowl so any dripping will fall back into mixing bowl. When mixing is complete, set the control to "1", and raise beaters slowly from batter to clean off clinging food. Be sure to unit to "0" before raising beaters completely out of mixing bowl.

BURST OF POWER FEATURE

The BURST OF POWER feature allows for an added boost to the selected speed setting at the press of the button. During especially heavy mixing tasks, press the button to drive through the mixture with ease. Once the button is released, the mixer will return to the original speed setting.

EJECTING BEATERS

Be sure the control is in the off "0" position and cord is removed from electrical outlet. Scrape off any excess batter with a rubber spatula. Grasp the stems of the beaters with your hand and press the beater eject button. Beaters will release into your hand.

SPEED GUIDE FOR HAND/STAND MIXER

SPEED		MIXING TASKS
½	Stir	Use when stirring liquid ingredients or when mixing dry and liquid ingredients together alternately in a recipe. Use when preparing any of the ready-prepared or packaged instant puddings.
3	Mix	Use when a recipe calls for combining ingredients together. Use for quick breads or muffins that require a brisk action, just enough to blend.
4	Blend	Use when preparing cake mixes or for directions calling for medium speed. Use to cream butter and sugar together.
5	Beat	Use when preparing a frosting from a recipe or package. Use when whipping cream for desserts.
6	Whip	Use to mash potatoes to develop a light and fluffy texture. Use when whipping egg whites.
Burst of Power		During especially heavy mixing tasks, press the button to drive through the mixture with ease.

CARING FOR YOUR MIXER

CLEANING

Wash the beaters, dough hooks and mixing bowl before and after every use. The beaters and dough hooks may be washed in a dishwasher. After removing cord from electrical outlet, clean mixer head with a damp cloth and wipe dry. **DO NOT IMMERSE MIXER IN WATER.** This may cause electrical shock, injury or damage to the product. Avoid the use of abrasive cleaners that will damage the finish of your mixer.

STORAGE

Store the Hand/Stand Mixer on in a clean, dry location such as a cabinet or shelf. Store beaters and dough hooks in a drawer.

MAINTENANCE

The motor of your mixer has been carefully lubricated at the factory and does not require any additional lubricant. Other than the recommended cleaning, no further user maintenance should be necessary. If for any reason your hand mixer should require repairs, do not try to fix it yourself. Send it to the nearest Authorized Oster® Appliance Service Center.

WARRANTY

Jarden Consumer Solutions of India Private Limited (hereinafter referred to as “JCS”) warrants that, for a period of two (2) years from the date of purchase of this product as evidenced in the cash memo (“Warranty Period”), this product will be free from defects in material and workmanship (the “Warranty”). Please preserve the warranty card and the cash memo of the product duly stamped and signed by the dealer, as this will be required for any claims under this Warranty.

- The rights and benefits under this Warranty are additional to your statutory rights, which are not affected by this Warranty.
- During the Warranty Period, JCS, at its sole choice, will either repair or replace this product or any component of the product found to be defective free of cost through (the dealer from whom the product was purchased or through the service center listed in the card – business people to confirm), provided that:
 - JCS is promptly informed of the defect;
 - The product has not been altered in any way or subjected to misuse or repair by the person other than a person authorized by JCS;
 - This Warranty, duly filled, stamped and signed by the dealer is made available.
- The Warranty provided herein is towards the original purchaser and is not transferrable to any third party.
- Any repaired or replaced product will be warranted on these terms for the remaining portion of the Warranty in the country where the product was purchased.
- Liability for consequential loss or damage is neither accepted nor is it implied.
- This Warranty is in lieu of all others expressed or implied and does not cover the following:
 - a. If product was use in any manner other than the intended use.
 - b. If the product has not been used according to the instruction manual/user’s manual, included with the product.
 - c. If the defects are caused by improper use or reckless use.
 - d. If the product was altered or repaired by anyone other than those authorized by JCS.
 - e. If installation of the product is not done as per the printed instructions provided along with the product.
 - f. If the defects are caused by fire, flood, and other act of god.
 - g. If the defects are caused by use of incorrect current or voltage or faulty electric power supply.
 - h. Normal wear and tear of parts and accessories resulting from regular use.
 - i. Damage resulting from transportation, accidents, mishandling or negligence on the part of the consumer.
 - j. The following part/components:
 - Broken glass or ceramic parts
 - Light bulb
 - Accessories
 - k. If the product is put to industrial or commercial use.
 - JCS will not be responsible for any delay in servicing due to non-availability of any components or due to reasons beyond the control of JCS.
 - Any failure of the product to perform any purpose other than the intended purpose shall not be considered as a default under this warranty.
 - In any event, if JCS becomes liable for damages incurred in connection with these presents, then the liability of JCS will be limited to the amount equal to the sale invoice amount paid by you.

Waste electrical products should not be disposed off with household waste. Please recycle where facilities exist.

AUTHORIZED SERVICE CENTERS

Region	State	City	Name	Address	Contact Person	Contact No.
East	West Bengal	Kolkata	Jeeves Consumer Services Pvt Ltd	356, Jodhpur Park, Kolkata - 700068	Someswar Basu	(033) 40012100
	West Bengal	Kolkata	Southern Service	6/19A, Prince Anwarshah Road, Poddar Nagar, Kolkata - 700068	Subrata Manna	(033) 24729651 / 65488822
	West Bengal	Kolkata	Baishanu Service Care	55D, Adaya Nath Saha Road, Lake Town, Near Jaya Cinema, Kolkata - 700048	Piyush Nandan	(033) 40664210
	West Bengal	Howrah	Time n Service	37 & 38, Mohenath Lane, Salkia, Howrah - 711106	Tapas Hazra	(033) 65639720
	West Bengal	Hooghly	DNP Enterprises	52, Sahaganj Main Road, P.O. Sahaganj, Near Bandel Station, Hooghly - 712104	Indrajit Bag	(0) 9163668360
	West Bengal	Barrackpore	Balaji Enterprise	4/E/A Barasat Road, Barrackpore, Dist. North 24 Parganas, Near 15 No. Rail Gate, Barrackpore - 700122	Pradip Kr Ghosh	(033) 25451224
	West Bengal	Siliguri	S D Electronics	Deys Lodge, 138/69/57, Nazrul Sarani, Ashrampara, Siliguri - 734001	Arup Dey	(0353) 2526028
	West Bengal	Asanol	Yes Service	Hutton Road, Near Mahal Banquet Marriage Hall, Asanol - 713301	Sarfaraz Ahmed	(03228) 2280029
	Assam	Guwahati	Multi Track Services	G S Road, Ground Floor, Bora Service Station, Ulubari, Guwahati - 781007	Kallol Dutta	(0361) 2457296

AUTHORIZED SERVICE CENTERS

North	Delhi	Delhi	Jeeves Consumer Services Pvt Ltd.	# E-10, Arya Samaj Road, School Road, Uttam Nagar, Delhi - 1100059	Md Khalid Pervez	(011) 45785915
	Delhi	Delhi	Jeeves Consumer Services Pvt Ltd.	R-32, 2nd Floor, Vikas Marg, Shakarpur, Opp. Heera Sweets, Metro Pillar # 46 , Delhi - 1100092	Manjeet Singh	(011) 47754764
	Delhi	Delhi	S T Services	M-131, 1st Floor, Guru Harkrishan Nagar, Paschim Vihar, New Delhi - 110041	Vipin Yadav	(011) 32958438 / 45586987
	Haryana	Gurgaon	Jeeves Consumer Services Pvt Ltd.	4/18 A, 1st Floor, Laxmi Garden, Behind Police Chowki, Khandasa Road, Gurgaon-122001	Karamvir Fogaat	(0124) 4073434
	Haryana	Faridabad	Jeeves Consumer Services Pvt Ltd.	5H-49,1st Floor, NIT Faridabad -121001	Manoj Kumar Panwar	(0129) 4163003
	Uttar Pradesh	Noida	Jeeves Consumer Services Pvt Ltd.	1st Floor, Above Punjab ATM, Sector-22, Chaura More Main Road, Near Oriental Bank of Commerce, Opp.Rajkiya Inter College, Noida, U.P - 201301	Devender Singh	(0120) 4162644
	Uttar Pradesh	Lucknow	Swastik Customer Care	A-1/3, SEC-H Aliganj, Near Kendriya Bhawan, Lucknow - 226020	Uma Shankar Mishra	(0522) 3298003 / 4102581 / 4102582
	Uttar Pradesh	Kanpur	Shubham Electronics	192,Manohar Nagar Barra -3 , Opp Deepshika Guest House, Kanpur - 208027	Suman Gupta	(0512) 2283394 / 2602029
	Uttar Pradesh	Agra	Sai Electronics	25/113, Gandhi Nagar, Agra - 282 003	Ajay Singhal / Sunil	(0562) 3297005
	Haryana	Ambala	Telecare	Old Hospital Road, Bara Thakur Dwara, Opp. Polytechnic, Ambala City - 134003	Devinder Sharma	(0171) 25567369
	Haryana	Sonapat	Saibaba Enterprises	House No. 1510, Sector - 15, Sonapat - 131001	Pramod Sharma	(0130) 6411206
	Haryana	Karnal	Jeeves Consumer Services Pvt Ltd.	Shop # 50, Ground Floor, Mayapuri, Rajiv Gandhi Marg/ Near Raj Palace, Meeraghati Chowk, Karnal - 132001	Neeraj Sharma	(0184) 4022201
	Punjab	Mohali	Jeeves Consumer Services Pvt Ltd.	# SCF-4, Basement, The High Land Society, NAV, Baltana, Zirakhpur, Mohali-140603	Shiv Dhandra	(0176) 2652574
	Punjab	Ludhiana	Jeeves Consumer Services Pvt Ltd.	Shop # 18B, Dhyan Singh Commercial Complex, Opp. Bus Stand, Ludhiana - 141001	Gurbeer Singh	(0161) 2444002
	Punjab	Jalandhar	Jeeves Consumer Services Pvt Ltd.	EH-31, Laddowali Road, Opposite Gurudwara, Jalandhar - 144001	Ashok Kumar	(0181) 2221707
	Punjab	Amritsar	Keerat Electronics	Naraingarh Bazar, Shaheed Bhagat Singh Road, Chheharta, Amritsar - 143 001	Sukhdeep / Mantreet Singh	(0183) 2450095
	Himachal	Shimla	Suvidha Electronics	Mehta Niwas, Ground Floor, Near Himfead Building, B C S, New Shimla - 171009	Rajesh Kumar	(0) 9816457886
	Himachal	Mandi	Kuldeep Electro Care	Neear FCI Godown, Kehanwal Road, Ram Nagar, Mandi - 175001	Kuldeep Singh	(01905) 222140 / 329574
Rajasthan	Jaipur	Jeeves Consumer Services Pvt Ltd.	A-79,Subash Nagar Shopping Centre, Jaipur - 302016	Vipendra Singh	(0141) 4035102	

AUTHORIZED SERVICE CENTERS

West	Maharashtra	Mumbai	S P Services	Shop No. 10, Abdul Sattar Compound, Fitwala Road, Opp. Satguru Darshan Bldg., Near Railway Station, Elphinston Road (West), Mumbai - 400013	Palsingh Panyari	(022) 24326726 / 24312623
	Maharashtra	Mumbai	Jeeves Consumer Services Pvt Ltd.	Plot No 27/5, Pawani Chowk, Opp Mulund Darshan Building, Mulund Colony, Mulund (W), Mumbai - 400082	Ramesh Yadav	(022) 65288597
	Maharashtra	Mumbai	Jeeves Consumer Services Pvt Ltd.	Shop No.1-1A, Ground floor, Kirti Co-Op Housing Society, Ramachandra Extn Lane, Near Movie Time, Evershine Nagar, Malad(W), Mumbai-400064	Murali Joshi	(022) 65278590
	Maharashtra	Pune	Jeeves Consumer Services Pvt Ltd.	No. 337, Sai Leela, 1st Floor, Datt Wadi, Mhasoba Chowk, Pune - 411030	Saket Dubey	(020) 24321679
	Maharashtra	Nagpur	Technic Services	Khare Building, Hanuman Lane, Sitabuldi, Nagpur - 440 012	Dilip Panda	(0712) 2550076
	Maharashtra	Chandrapur	Suvidha Electronics	No. 1, Devt Appartment, Church Road, Hanuman Nagartukum, Chandrapur - 442401	Subash Deashkar	(07172) 258966 / 256453
	Maharashtra	Kolhapur	Sikir Mobiles	1492 C Ward, Laxmipuri, Opp. TATA Brand Stores, Kolhapur - 416001	Sukir Bakare	(0) 9372555011
	Maharashtra	Aurangabad	Emperor Services	S-5.Manik Arcade Kalda Corner, Opp Chowbey Hospital, Chetna Nagar, Aurangabad -31005	Mr. Willy Bento Colaco	(0240) 2350606
	Maharashtra	Nashik	Harsha Electronics	3, Talak Complex, Rachna Vidyalaya Road, Sharanpur Roda, Nashik - 422002	Pravin Patil	(0) 9422254240
	Goa	Salcete	Jolly Enterprises	Shop # G-2, 78/A Nuvem Enclave, Along NH-17 Highway, Belloy Nuvem, Salcete - 403604	John Gonzanalves	(0832)2791800
	Gujarat	Ahmedabad	Jeeves Consumer Services Pvt Ltd.	No. 37, Om Tower, Near Star Bazar, Jodhpur Cross Road, Satellite, Ahmedabad - 380015	Girish Parmar	(079) 40080485
	Gujarat	Baroda	Uday Refrigeration	G/3 Nandanvan Complex, Atma Jyoti Ashram Road, Behind Citizen Society, Ellora Park, Baroda	Shailesh	(0265) 6590948
	Gujarat	Surat	Sadgurudev	Shop No. L/6, Shankutal Complex, Beside Sangvi Tower, Near Gujarat Gas Circle, Adajan Patia, Surat - 395009	Manoj Rana	(0261) 6540417
	Gujarat	Rajkot	PC Systems	4-Sardar Nagar (West), Tagore Road, Near Astron Circle, Rajkot-360001	Manoj Gohil	(0281) 2480479
	Madhya Pradesh	Indore	Coel Home Refrigeration	LG-70, Trade Centre, 18, South Tukogunji, Indore- 452 001	Husain Anjum	(0731) 4076404
Madhya Pradesh	Bhopal	Jeeves Consumer Services Pvt Ltd.	Ward no 47, Goyal Vihar, Ground floor, Flat no-G-1, 31-C, Zone-2, MP Nagar, Bhopal	Ram Ashish Prasad	(0755) 4059310	

AUTHORIZED SERVICE CENTERS

South	Tamil Nadu	Chennai	Jeeves Consumer Services Pvt Ltd.	New No.3,Old No.1-A, Sripuram,2nd Lane,Royapetah, Chennai-600014	Dinesh Kumar	044-42632371
	Tamil Nadu	Chennai	G C Services	Old No. 12, New No. 37, 1st Floor, Sattanna Naichen Street, Nehru Timber Market, Choolai, Chennai - 600112	Naval R	(044) 26690084 / 42622868
	Tamil Nadu	Coimbatore	V K Engineering	108-A/92, West Ponnurangam Road, Ground Floor (Near Telephone Exchange), R.S.Puram, Coimbatore - 641002	Selvadurai	(0422) 2541172
	Pondicherry	Pondicherry	Bestronics	49, Saint Theresa Street, Pondicherry - 605001	B Jayashankar	(0) 9443728020
	Andhra Pradesh	Hyderabad	Jeeves Consumer Services Pvt Ltd.	Flat No. 205, Karan Centre, Opp. IBP Petrol Pump and Karan Hotel, Park Lane, S.D.Road, Near Paradise Circle, Secunderabad - 500003	Kumararajan	(040) 64591168
	Andhra Pradesh	Vijaywada	Jeeves Consumer Services Pvt Ltd.	Door No.25-10-10A,G.S.Raju Road,Gandhi Nagar, Near Gymkhana Road, Vijayawada - 520003	Rahamatullah Gouse Khan	(0866) 6591168
	Karnataka	Bangalore	Jeeves Consumer Services Pvt Ltd.	No. 126, 1st Floor, 8th Main J.P.Nagar, 3rd Phase, Bangalore - 560078	Ramesh Kumar	(080) 41209331
	Karnataka	Bangalore	Jeeves Consumer Services Pvt Ltd.	First Floor, Khan Bldg, 7 & 8th Cross, Jakkasandra Extension, Bangalore - 560032	Surulivel	(080) 25520424
	Karnataka	Mangalore	Jeeves Consumer Services Pvt Ltd.	1st Floor, Quadra compound, Bejai,kapikad, Kavour Road, Mangalore -575004	Divakar Shetty	(0824) 2213699
	Karnataka	Mysore	Jeeves Consumer Services Pvt Ltd.	No.1095, 1st Floor, C&D Block, Lalithadri Road, Kuvempunagar, Mysore - 570023	Venkatesh.S.Kulkarni	(0821) 4191094



WARRANTY CARD

© 2014 Sunbeam Products, Inc. doing business as Jarden Consumer Solutions. All rights reserved.
Distributed by Jarden Consumer Solutions of India Private Limited, Unit B-204, Universal Business
Park, Off Saki Vihar Road, Chandivali Farm Road, Andheri (E) Mumbai 400 072, India. 2 Year
Limited Warranty - see inside for details. Sunbeam Products, Inc. and Jarden Consumer Solutions
of India Private Limited are subsidiaries of Jarden Corporation (NYSE: JAH).
1-800-102-6300

www.oster.in

Model No. : _____

Date of Purchase : _____

Dealer's Stamp : _____

Printed in China
2611-049_14EM1

P.N. **TBD**
GCDS-OST36946-JC