

Smart GUARD



User Manual

AEC-931A2BS
Motion Sensor Twin Light
with Warning Message

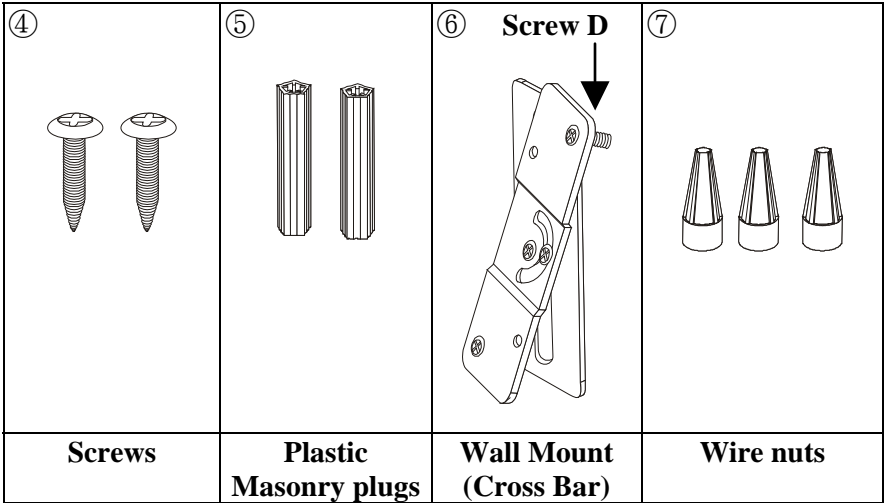
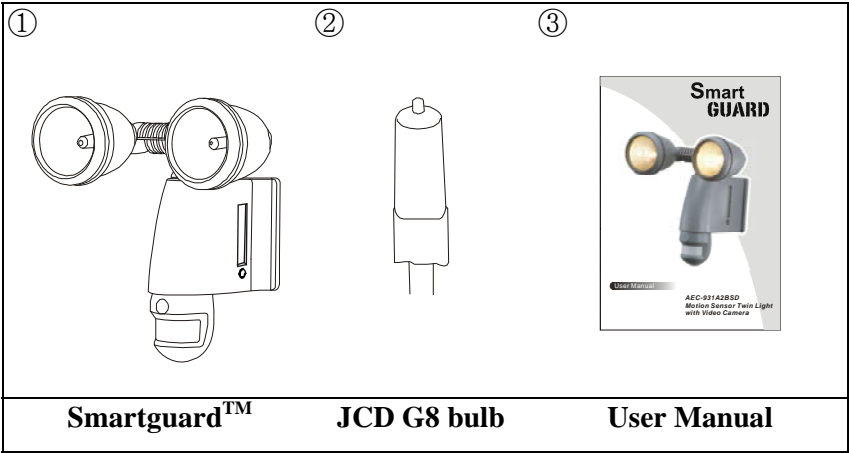
Table of contents

1. Contents of package	Page 1
2. Smartguard™ Motion Light with Video Camera	Page 3
3. Assembly	Page 3
4. Installation	Page 4
5. Programming your Smartguard™.....	Page 7
6. Technical Specifications	Page 8
7. General Information and Safety.....	Page 9
8. FCC information.....	Page 10

Contents of packaging

- Smartguard™ Motion Light with Video Camera
- User Manual
- 2pc 100W JCD G8 bulb
- Accessory bag: 2pcs screws, 2pcs plastic masonry plugs, wall mount (cross bar), 3pcs wire nuts

(User manual are kept in one zip bag, please keep these accessories.)



Smartguard™ Motion Light with Video Camera overview

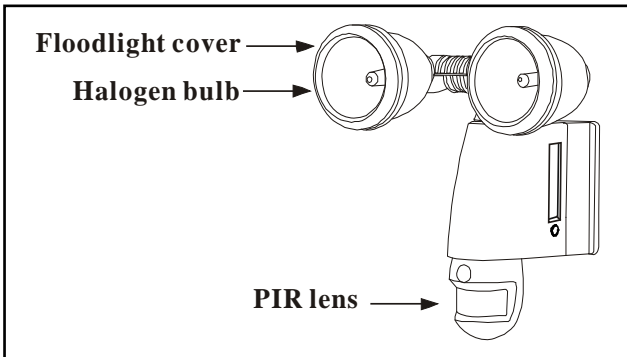


Fig. 1

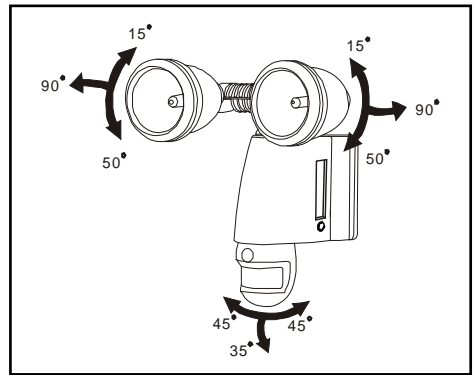


Fig. 2

Step 1. Assembly

1. Install/replace the halogen bulb (see fig. 3)

- Make sure to unplug unit or turn off power first.
- Remove floodlight cover by twisting cover anticlockwise.
- If replacing a bulb, take out the existing halogen light bulb (part no. ②)
- Put in new 100 Watt maximum JCD G8 bulb (part no. ②).
- Replace floodlight cover.

*** Caution: Never touch the bulbs with your bare hands.**

Always use a clean cloth when handling the bulbs.

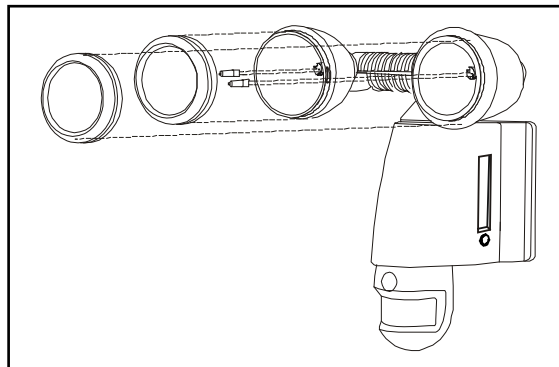


Fig. 3

Step 2. Installing the Smartguard™ Motion Light with Video Camera

IMPORTANT

IF IN ANY DOUBT ABOUT THE INSTALLATION OF THIS PRODUCT, CONSULT A QUALIFIED ELECTRICIAN

- This product must be grounded
- Do not mount the unit against inflammable surfaces
- The motion detector will not operate correctly if it is installed:
 - ① Near the outlet of a central heating boiler
 - ② Near air conditioning plant
 - ③ Pointing directly at moving vehicles
 - ④ Within sight of reflections from moving water
 - ⑤ Where other lamps could shine on the detector

BEFORE ATTEMPTING ANY INSTALLATION OR MAINTENANCE, ENSURE THAT THE ELECTRICAL SUPPLY IS SWITCHED OFF AND THE CIRCUIT FUSES REMOVED OR THE CIRCUIT BREAKER IS IN THE OFF POSITION.

Please make sure the voltage and polarity are correct before connection. Incorrect voltage may cause electric shock. If you are not sure, please contact your retailer.

Note: It is recommend to mount Smartguard™ Motion Light with Video Camera 6 – 7ft above the ground for optimum performance, do not mount the fixture below 3.94ft. See below figure for details of performance range.

Detection range: 32.8ft x 180° (see fig. 4)

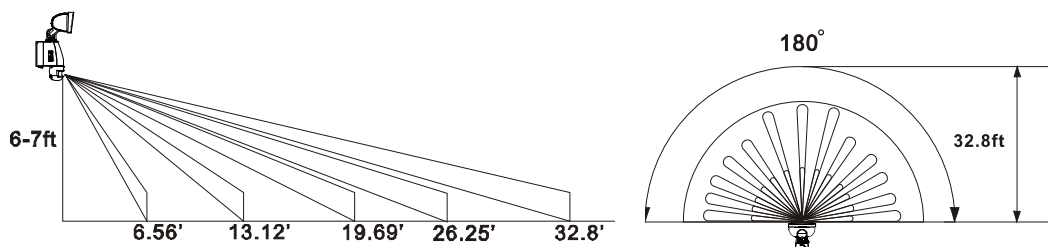


Fig. 4

Installation to a junction box using crossbar mount (see fig. 5 & fig. 6):

1. Attach the crossbar (part no. ⑥) to junction box and fix by screw C.
2. Feed the cable through the back mounting plate.
3. Fix the mounting plate to crossbar (part no. ⑥) by screw D
4. Connect the black wire (live wire) from the AC power cord to the single black wire coming from Smartguard™ using one of the supplied wire nuts (part no. ⑦).
5. Connect the white wire from the AC power cord to the white wire coming from Smartguard™ using one of the supplied wire nuts (part no. ⑦).
6. Connect the green/yellow wire from the AC power cord to the 2 green/yellow wires coming from Smartguard™ using one of the supplied wire nuts (part no. ⑦).
7. Make sure the polarity is correct.
8. Attach the unit to the mounting plate. You will first need to angle the unit back so that the catch at the top of the mounting plate fits into slot on the back of the unit. Next lower the unit until holes at the bottom of the mounting plate and unit are flush. Then screw (screw A) into this hole, tightening carefully.

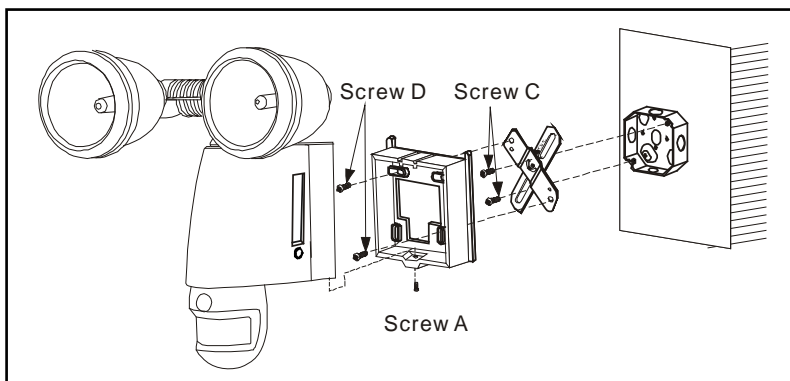


Fig. 5

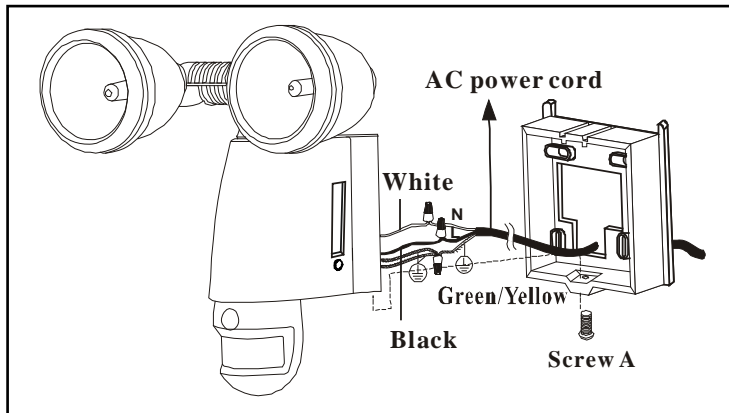


Fig. 6

Installing your Smartguard™ Motion Light with Video Camera on surface without a junction box. (see fig. 6 & fig. 7)

1. Place plastic masonry plugs (part no. ⑤) into desired surface aligning holes as shown below. Using an electric screwdriver, fasten mounting plate directly to surface using screws E (part no. ④).
2. Feed the cable through the back mounting plate.
3. Connect the black wire (live wire) from the AC power cord to the single black wire coming from Smartguard using one of the supplied wire nuts (part no. ⑦).
4. Connect the white wire from the AC power cord to the white wire coming from Smartguard using one of the supplied wire nuts (part no. ⑦).
5. Connect the green/yellow wire from the AC power cord to the 2 green/yellow wires coming from Smartguard using one of the supplied wire nuts (part no. ⑦).
6. Make sure the polarity is correct.
7. Attach the unit to the mounting plate. You will first need to angle the unit back so that the catch at the top of the mounting plate fits into slot on the back of the unit. Next lower the unit until holes at the bottom of the mounting plate and unit are flush. Then screw (screw A) into this hole, tightening carefully.

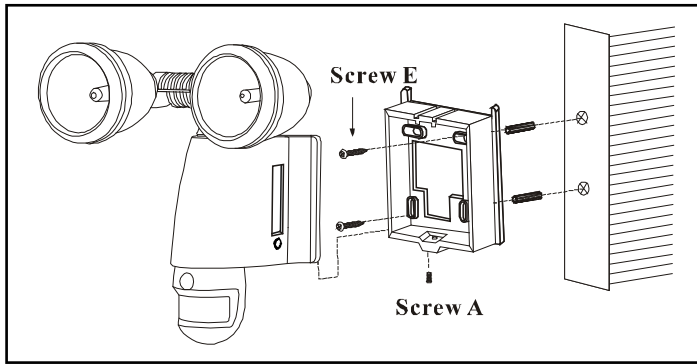


Fig. 7

Please allow 1 minute warm-up time after switching on.

Step 3. Adjusting the Settings (see fig. 8~9)

- **Time control** : Turn the time control knob to “+” side to increase the illumination time (7 minutes max.), turn the control knob to “-” side to reduce the illumination time (30 seconds min.).

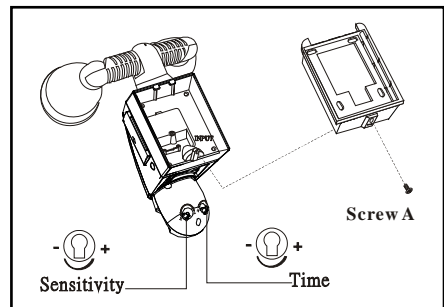


Fig. 8

- **Sensitivity control** : Adjust the detector range of Passive Infrared Motion Sensor ($\pm 6.56\text{ft} \sim 32.8\text{ft}$)
- **Selecting working mode:**
 - Mode 1: Suggested setting when out of town**
 - Light + speaker: all day detection
 - Daytime and nighttime: light and speaker are all in operation
 - Mode 2: Suggested for day to day use**
 - Light at night + speaker in the daytime
 - Daytime: light is off, speaker is on
 - Nighttime: light is on, speaker is off

Mode 3: Perfect for a place of business

- Light at night + speaker at night
- Daytime: light is off, speaker is off
- Nighttime: light is on, speaker is on

- **Audio mode:** for selecting which audio message will play when motion sensor detects movement.
 - Pre-set default is “You are trespassing”
 - Push one time for “Warning! You are being videotaped by a security camera”
 - Push again for “dog barking”
 - Push one more time to turn off this function

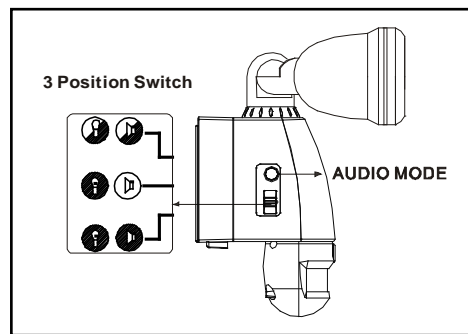


Fig. 9

Technical Specifications

1. Features and specification :

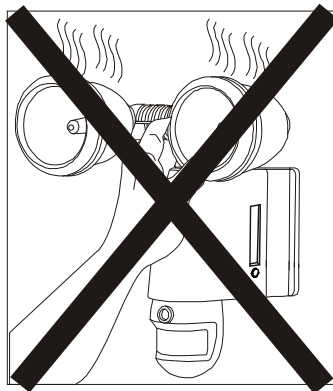
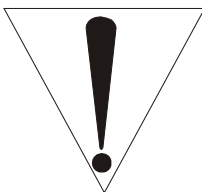
- PIR detection angle 180 Deg and detection range up to 32.8ft
- Powered by AC 100V to 240V (subject to requirement)
- Halogen bulb JCD G8 100W*2
- Auto light sensor.
- Sensitivity control
- Floodlight time delay control

General Information and safety

Special care instructions!!!

- The Smartguard Motion Sensor Twin Light is designed to be weather resistant. Never attempt to immerse the unit in water or any other liquid. This will damage the unit and void the warranty.
- This product is designed to illuminate and make verbal announcements. It will not prevent the commission of any act, legal or illegal. The manufacturer assumes no liability for any damage to property, injury to person, or death.
- Remove dirt or stains with a soft cloth dampened with water or neutral detergent. Keep the Smartguard™ Motion Sensor Twin Light in a dry and cool dust-free environment or container when it is NOT used
- Do not open the Smartguard™ Motion Sensor Twin Light with for unauthorized service. This could cause serious damage to the unit and will void the warranty.
- This Smartguard™ Motion Sensor Twin Light is a precision electronic device. Do not attempt to service this unit, as opening or removing covers may expose you to the danger of electric shock or other risks.
- To avoid risk of burns due to high temperature do not touch the floodlight when it is turned on.

CAUTION!!!



FCC Information

This device complies with Part 15 of the FCC Rules. Operation is subject to the following two conditions: (1) This device may not cause harmful interference, and (2) This device must accept any interference received, including interference that may cause undesired operation.

Warning: Changes or modification to this unit not expressly approved by the party responsible for compliance could void the user's authority to operate the equipment.

NOTE: This equipment has been tested and found to comply with the limited for Class B digital device, pursuant to Part 15 of the FCC Rules. Their limits are designed to provide reasonable protection against harmful interference in a residential installation. This equipment generates, uses and can radiate radio frequency energy and, if not installed and used in accordance with the instructions, may cause harmful interference to radio communications.

However, there is no guarantee that interference will not occur in a particular installation. If the equipment does cause harmful interference to radio or television reception, which can be determined by turning the equipment off and on, the user is encouraged to try to correct the interference by one or more of the following measures: Reorient or relocate the receiving antenna.

Increase the separation between the equipment and receiver.

Connect the equipment into an outlet on a circuit different from that to which the receiver is connected.

Consult the dealer or an experienced radio/TV technician for help.