

2325 Docking Cradle User's Guide

(Archived 07/02/2007)



IMPORTANT NOTICE - The LXE 2325 computers and accessories are obsolete. This electronic manual has been made available as a courtesy to LXE's 2325 customers. Please contact your LXE customer support representative for assistance and replacement.



Copyright © 2007 by LXE Inc.
All Rights Reserved
E-EQ-2325DKOGWW-E

Regulatory Notices

LXE Inc. reserves the right to make improvements or changes in the products described in this manual at any time without notice. While reasonable efforts have been made in the preparation of this document to assure its accuracy, LXE assumes no liability resulting from any errors or omissions in this document, or from the use of the information contained herein. Further, LXE Incorporated, reserves the right to revise this publication and to make changes to it from time to time without any obligation to notify any person or organization of such revision or changes.

Copyright:

This manual is copyrighted. All rights are reserved. This document may not, in whole or in part, be copied, photocopied, reproduced, translated or reduced to any electronic medium or machine-readable form without prior consent, in writing, from LXE Inc.

Copyright © 2007 by LXE Inc. An EMS Technologies Company.
125 Technology Parkway, Norcross, GA 30092 U.S.A. (770) 447-4224

LXE® and **Spire®** are registered trademarks of LXE Inc. **RFTerm®** is a registered trademark of EMS Technologies Company.

All other brand or product names are trademarks or registered trademarks of their respective companies or organizations. When this manual is in PDF format: "Acrobat ® Reader Copyright © 2007 Adobe Systems Incorporated. All rights reserved. Adobe, the Adobe logo, Acrobat, and the Acrobat logo are trademarks of Adobe Systems Incorporated." applies.

Note: The original equipment's User Manual is copyrighted by Percon® Inc. *This* manual has been amended by LXE® Inc., for the 2325 and Docking Stations with Percon's express permission. Percon is owned by **PSC, Inc.** PSC is owned by **Datalogic**.

Notice:

The long term characteristics or the possible physiological effects of radio frequency electromagnetic fields have not been investigated by UL.

FCC Information:

This device complies with FCC Rules, part 15. Operation is subject to the following conditions:

1. This device may not cause harmful interference and
2. This device must accept any interference that may be received, including interference that may cause undesired operation.

Note: This equipment has been tested and found to comply with the limits for a Class A digital device, pursuant to part 15 of the FCC rules. These limits are designed to provide reasonable protection against harmful interference when the equipment is operated in a commercial environment. This equipment generates, uses, and can radiate radio frequency energy and, if not installed and used in accordance with the instruction manual, may cause harmful interference to radio communications. Operation of this equipment in a residential area is likely to cause harmful interference in which case the user will be required to correct the interference at his own expense.

Warning: Changes or modifications to this device not expressly approved by LXE, Inc., could void the user's authority to operate this equipment.

Product Label Statement

This device complies with part 15 of the FCC Rules. Operation is subject to the following two conditions: (1) This device may not cause harmful interference, and (2) this device must accept any interference received, including interference that may cause undesired operation.

Shielded cables must be used with this unit to ensure compliance with the FCC Class A limits.

EMC Directive Requirements:

This is a Class A product. In a domestic environment this product may cause radio interference in which case the user may be required to take adequate measures.

Industry Canada:

This Class A digital apparatus meets all requirements of the Canadian Interference Causing Equipment Regulations. Operation is subject to the following two conditions: (1) this device may not cause harmful interference, and (2) this device must accept any interference received, including interference that may cause undesired operation.

Cet appareil numérique de la classe A respecte toutes les exigences du Règlement sur le matériel brouiller du Canada. Le présent appareil numérique n'émet pas de bruits radioélectriques dépassant les limites applicables aux appareils numériques de la Classe A prescrites dans le Règlement sur le brouillage radioélectrique édictés par le ministère des Communications du Canada.

Approvals:

EMI / EMC Standards: FCC Part 15 Subpart B, EN 50022 Class A, EN50082-1
--

Revision Notice

This product is obsolete. This manual has been archived. July 2007

Rev.	Section	Action
C	Entire Manual	Changed DocID number, removed Revision indicator from footer on each page.
C	Contacting LXE	Removed "Contacting LXE" section. The information is available on the LXE Manuals CD, in the file titled "Contacting LXE". Added section titled "Getting Help."
D	Entire Manual	Standardized manual format for on-line printing and viewing. Changed name from "2325 Docking Station Installation and Operator's Guide" to "2325 Docking Cradle User's Guide". Added new LXE logo. Updated "Contacting LXE".
E	Notices	Updated trademark statements. Archived.

Table of Contents

Introduction	1
Features	1
Document Conventions	2
Single Dock	3
Using the Single Dock	3
Four Slot Dock	4
Using the Four Slot Dock.....	4
Vehicle Mounted DC Single Dock.....	5
Using the DC Single Dock.....	6
Vehicle Mount Dock.....	7
Using the Vehicle Mount Dock.....	8
Troubleshooting and Maintenance.....	8
Getting Help.....	8

Illustrations

Figure 1 Charging/Communication Dock for One 2325.....	3
Figure 2 Charging/Communication Dock for Up to Four 2325s	4
Figure 3 Vehicle Mounted DC Single Dock for One 2325.....	5
Figure 4 Insert 2325 in DC Single Dock	6
Figure 5 Adjustable Vehicle Mount Dock for One 2325 (No Power/Communications).....	7

Introduction

LXE offers three powered docking stations for the 2325 – a stationary single dock that holds one 2325, a vehicle mounted single dock that holds one 2325 and a four slot dock that holds from one to four 2325s. The powered docking stations have two primary uses:

- Recharge the 2325 NiMH battery pack(s) and lithium backup batteries.
- Provide a connection for serial communications between the 2325(s) and the host computer or another serial device, such as a printer or modem.

All powered docking stations require an AC/DC power source. The four slot docking stations can be daisy chained together. The station at the end of the chain must be cabled to the host.

The non-powered vehicle mount docking station is a 2325 retention device *only*.



If the 2325 contains non-rechargeable batteries, do not connect the power supply to the dock.



The “2325 Reference Guide” contains 2325 technical information and advanced functions. Please refer to this manual when preparing to dock the 2325 or communicate with the host. Note: This manual has been archived. It is available for download from the LXE ServicePass Documentation/Archive section on the LXE website.



Please refer to the “2325 Installation and Operator’s Guide” when using the 2325 with a Docking Station. Note: This manual has been archived. It is available for download from the LXE ServicePass Documentation/Archive section on the LXE website.

Features

The LXE 2325 powered dock features:



- Recharges the 2325 NiMH battery pack and backup battery.
- Provides a connection for serial communications between the 2325 and the host computer or another serial device, such as a printer or modem.
- Power supplies are available that meet either 110V - 120V or 200V - 240V.
- The Single Slot charger is available in both voltages.
- The Four Slot charger is available in both voltages.

The DC Vehicle Mount Dock requires a DC power source within the range of 11 V to 16.5 V.

The non-powered vehicle mount dock has no power supply and is designed to hold the 2325 securely in a vehicle until needed.

Document Conventions

This reference guide uses the following document conventions:

Convention	Meaning
"Quotes"	Indicates the title of a book, chapter or a section within a chapter (for example, "Document Conventions").
< >	Indicates a key on the keypad (for example, <CTRL>).
	Indicates a reference to other documentation.
<i>Note:</i>	Keyword that indicates immediately relevant information.
CAUTION	Keyword that indicates a cautionary warning to follow.
	
ATTENTION	Keyword that indicates vital or pivotal information to follow.

Single Dock

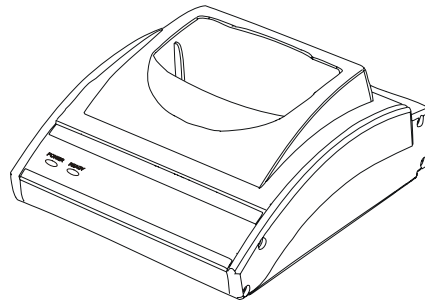


Figure 1 Charging/Communication Dock for One 2325

Indicator	Function
POWER	Red when receiving power from power adapter connected to the station.
READY	Red when charging the main and backup batteries in the 2325. Green when the both batteries are fully charged.

Using the Single Dock

Note: The Power LED on the dock is illuminated when the dock is receiving AC power. Batteries will not charge unless the Power LED is on.

Place the 2325 in the dock with the keypad facing out (on the same side as the indicators).

The dock will begin charging the batteries. The 2325 can begin communicating with the host (if the dock is cabled to the host).

Please refer to the “2325 Reference Guide” for instructions on sending data to and from the host.

Four Slot Dock

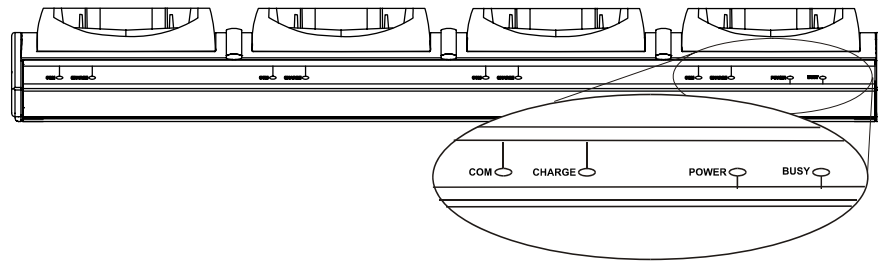


Figure 2 Charging/Communication Dock for Up to Four 2325s

Indicator	Function
COM	Green when the 2325 in the slot is communicating with the host. All other slots in the docking station (and when more than one four slot dock is connected to another in a docking station network) must wait until it has finished communicating.
CHARGE	Red when 2325 batteries are being charged. Green when 2325 batteries are fully charged.
POWER	Green when docking station is receiving AC power.
BUSY	Red when a docking station in the cabled network is communicating with the host.

Note: The COM light is green when an individual 2325 is communicating with the host.

Using the Four Slot Dock

Place a 2325 in any dock with the keypad facing out (on the same side as the indicators).

The dock will begin charging the batteries. The 2325 can begin communicating with the host (if the dock is cabled to the host).

Please refer to the “2325 Reference Guide” for instructions on sending data to and from the host.

Vehicle Mounted DC Single Dock

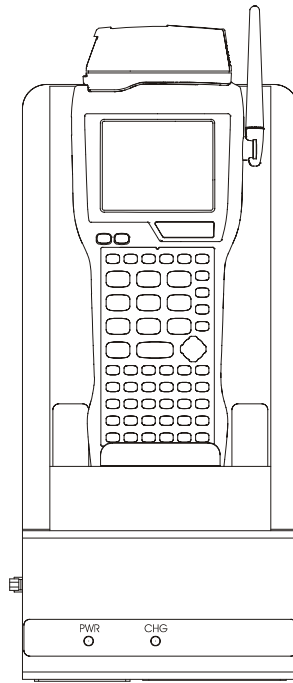


Figure 3 Vehicle Mounted DC Single Dock for One 2325

Indicator	Function
PWR (Power)	Green when receiving power from a vehicle battery.
CHG (Charge)	Green when charging the main and backup batteries in the 2325.

Using the DC Single Dock

Note: The Power LED on the dock is illuminated when the dock is receiving DC power. Batteries in the 2325 will not charge unless the Power LED is on.

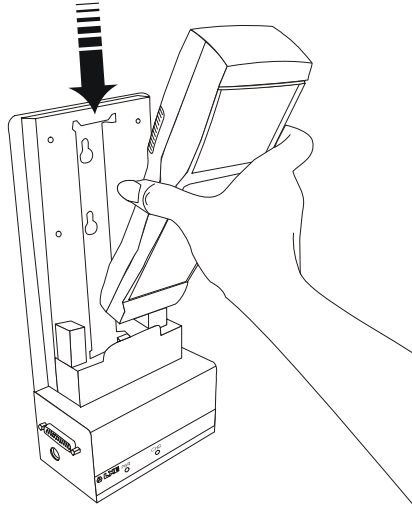


Figure 4 Insert 2325 in DC Single Dock

*Note: LXE recommends the 2325 be inserted in the dock **after** the DC Dock is securely mounted to a vehicle.*

Place the 2325 in the DC dock with the keypad facing out (on the same side as the indicators).

Push the 2325 down into the well and release. The handstrap hook will connect with the upper tab, securing the 2325 in the dock. (See arrow in figure titled "Insert 2325 in DC Single Dock.")

The dock will begin charging the batteries. The 2325 can begin communicating with another serial device, such as a printer or modem.

Please refer to the "2325 Reference Guide" for instructions on sending data to and from a printer or modem.

Vehicle Mount Dock

The vehicle mount dock has no indicators and, as it does not have an external power supply, it cannot recharge the unit's batteries.

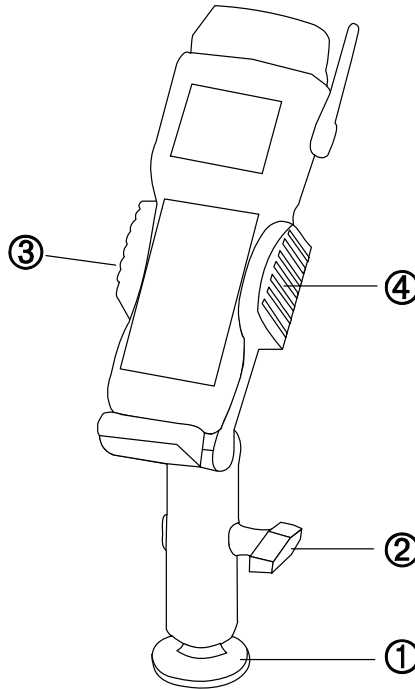


Figure 5 Adjustable Vehicle Mount Dock for One 2325 (No Power/Communications)

- 1 Base Plate.
- 2 Adjustable lever.
- 3 Quick Release Button. Located on the left hand side of the cradle portion of the holder.
- 4 Holder.

No indicators.

Using the Vehicle Mount Dock

Note: The Vehicle Mount Dock must be securely mounted to the surface before use.

Place the 2325 in the dock with the keypad facing outwards (or up).

Squeeze the holder snugly on both sides of the 2325. An internal ratchet mechanism holds the terminal securely.

Adjust the pedestal using the lever on the pedestal.

Press the quick release lever to remove the 2325 from the dock.

Note: The 2325 must be secured in the Vehicle Mount Dock before the vehicle is moving.

Troubleshooting and Maintenance

If the READY light on a powered dock does not come on, make sure the POWER light is on and the 2325 is fully inserted into the dock, with the keypad facing out. If it still doesn't work, make sure the Dock Adapter is securely attached to the 2325 and that the contacts in the dock are clean.

Periodically verify the security of the mounting screws of the Vehicle Mount Dock.

With normal use, the docking stations should require no maintenance.

Getting Help

All LXE user guides are now available on one CD and they can also be viewed/downloaded from the LXE ServicePass website. Contact your LXE representative to obtain the LXE Manuals CD.

You can also get help from LXE by calling the telephone numbers listed on the LXE Manuals CD, in the file titled *Contacting LXE*. This information is also available on the LXE website.

Explanations of terms and acronyms used in this guide are located in the file titled *LXE Technical Glossary* on the LXE Manuals CD and the LXE ServicePass website.