



Vario nursing table, 40-306XX-6

User Manual

Mounting Instructions

Keep this folder with product at all times!

General information

Contents

General information	Part Numbers	3
	Technical data	3
User Manual	Daily use	4
	User guide	4
	After use	4
Recommendations in use		5
Mounting instructions	Before mounting	6
	Mounting to the wall	7
Electrical components	Wire diagram	8
	Connections	9
	Hand control bracket	9
Labelling	Label	10
	Symbol view	10
Fault finding		11
Maintenance	Maintenance	12
	Cleaning	12
	Cleaning the mattress	12
Options	Bed guard, foldable	13
CE-Marking		14
Complaints		15



Product Information

Product: Vario nursing table, height adjustable
Producer: Ropox, DK-4700 Naestved, Phone +45 55 75 05 00

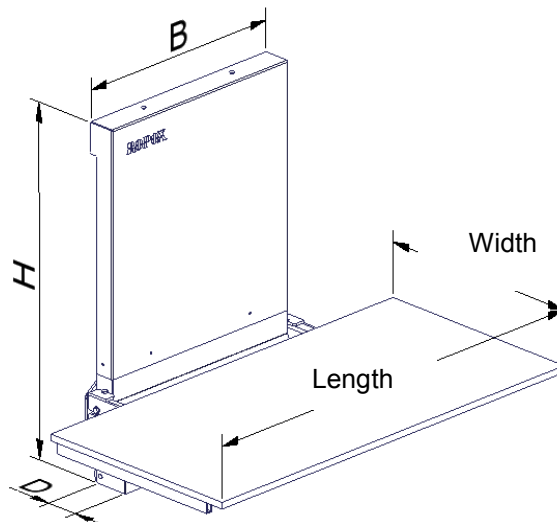
Usability – The height adjustable nursing table can be used to nurse children and adults (up to 135Kg). The nursing table can be used at home, in day care centre or institutions to obtain good and correct working conditions for the caretakers, at the same time it can also be used as a transfer help to other helping aids. When not in use, the plate can be folded up against the wall to save space.

By using the up ▲ down ▼ button on the handheld control switch, the height adjustment of the nursing table can be performed.

General information

Part Numbers

<u>Length</u>	<u>Width 70</u>	<u>Width 80</u>
90	40-30601-6	40-30619-6
100	40-30602-6	40-30620-6
110	40-30603-6	40-30621-6
120	40-30604-6	40-30622-6
130	40-30605-6	40-30623-6
140	40-30606-6	40-30624-6
150	40-30607-6	40-30625-6
160	40-30608-6	40-30626-6
170	40-30609-6	40-30627-6
180	40-30610-6	40-30628-6
190	40-30611-6	40-30629-6



Technical data Vario nursing table

Electrical connection: 230V, 50Hz, max 2.0A, Used parts are type B
Duty cycle: Max 10%, 2 min/18 min
Height: Work surface 33 – 103 cm incl. mattress
Unit, B=71 cm, H=114cm, D=15cm
Material – Frame: Welded steel tubes St.37, Stainless and aluminium
Plate: White laminated chipboard
Surface treatment: Powder coating, white RAL 9010 matt, Chromate
Maximum load: 135 kg

Technical data Mattress

Product: Mattress with slip resistant base layer
Height: 3 cm
Length x width: Like work plate, see Part Number scheme
Material: Canvas: Dahlia 9317 type HR3836 – light gray
Foam: PUR type 9527, HR-40
Maximum load: 135 kg



This product has CE-marking according to "Medical equipment, Low Voltage and EMC directives. Has been tested according to the European standards DS/EN ISO 12182 and DS/EN ISO 60601-1. This product is in risk group 1.

Daily use

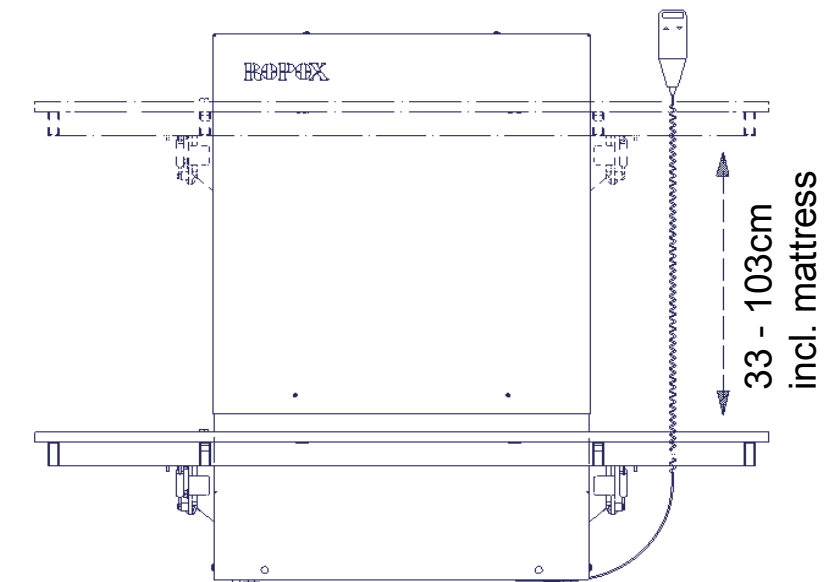
Before start using this product, be sure that Mains power has been connected as described in electrical connections.

Make sure that the mattress is lying stable on the plate having the slip-resistant surface between the mattress and the plate.

User guide

Adjust the height of the nursing table between 33-103cm to obtain good and correct working conditions for the caretakers.

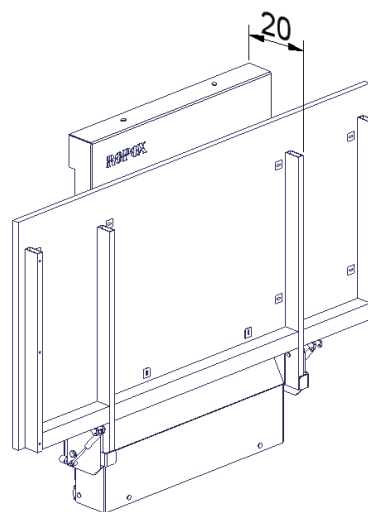
By using the up ▲
down ▼ bottom on the handheld control switch, the height adjustment of the nursing table can be performed. The control switch has a spiral cord, which can be pulled out to a length of 200cm.



After use

When not using the nursing table, the plate can be folded up against the wall. This way it will only take up the space of approx. 20cm from the wall.

At the pivot point a gas damper is mounted, to reduce the power needed movement when folding up or down.



Recommendations in the use of the height adjustable Nursing table

The height adjustable nursing table helps the caretaker to obtain the most optimal working height.

Height adjustment allows you to customize the working height to the individual employee, and can also save unnecessary lifting.

By using the up ▲ down ▼ bottom on the handheld control switch, the height adjustment of the Nursing table can be performed. The control switch has a spiral cord, which can be pulled out to a length of 200cm.

To ensure optimum utilization of the changing table features and avoid accidents, it is important to observe some basic safety procedures

- NEVER leave a person on the nursing table unattended - not even for a very short period.
- The Nursing table must be operated by adults. The Nursing table is a working tool and not a toy.
- Pay particular attention to other people in the room when using the nursing table. Make sure that no children are playing under or with the table. The nursing table is not a playground.
- Keep the hand control out of the reach of children. Make sure that they cannot operate the table unattended. A bracket for wall mounting is included with delivery.
- Make sure that there is free space above and below the nursing table to allow height adjustment. The worktop is up foldable, but please be aware of obstacles above, below and around the worktop to prevent trapping risk.
- If the control switch has been damaged or stopped working, it has to be replaced immediately. The up and down buttons are “push and hold”. The motor stops when the button is being released. This is a very important safety element.
- If two nursing tables are mounted next to each other, we recommend to mount a side cover between, to avoid the trapping risk.
- Although safety stop has been mounted, constantly be aware of objects under the nursing table.

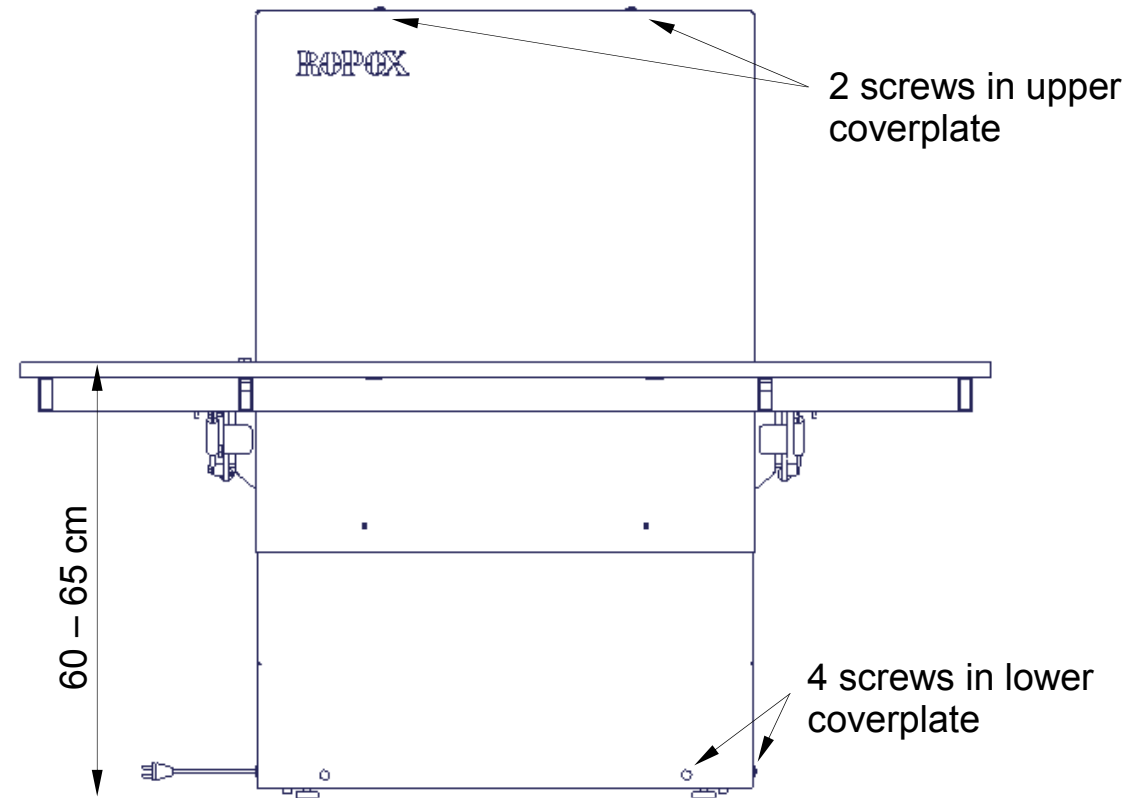
Mounting Instructions

The nursing table is delivered fully assembled.

Before mounting the nursing table to the wall

The mains cable for 230V has a length of 2,5m (see left hand side of drawing). The nursing table is delivered in the lowest position, push the up ▲ button and move the nursing table 30-35 op. Disconnect the mains power.

Demount the two screws in the upper cover plate, and the 4 screws in the lower cover plate. The cover plates can be removed.

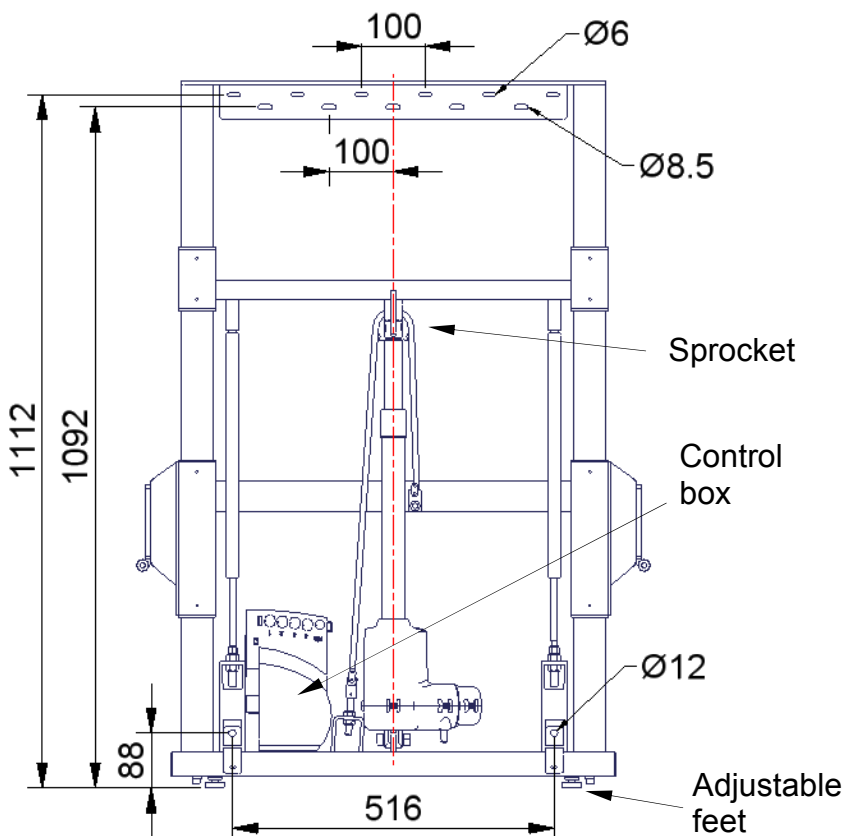


Mounting Instructions

Mounting to the wall

Attach the frame securely to the wall by using adequate bolts and raw plugs suitable for the type of wall construction / material on site. Nursing table is tested according to a load of up to 135 kg. applied to the worktop.

The attachment holes can be marked up on the wall, several possibilities in the top, and two in the bottom of the frame. Place the frame against the wall and make sure it is horizontal. The frame is standing on two adjustable feet. The holes in the frame are $\varnothing 8,5$ mm and $\varnothing 6$ mm in the top and $\varnothing 12$ below. Remove the frame and drill the holes.



After mounting, make sure that the chain is in correct position on the sprocket, also check that cable plugs is connected correctly to the control box.

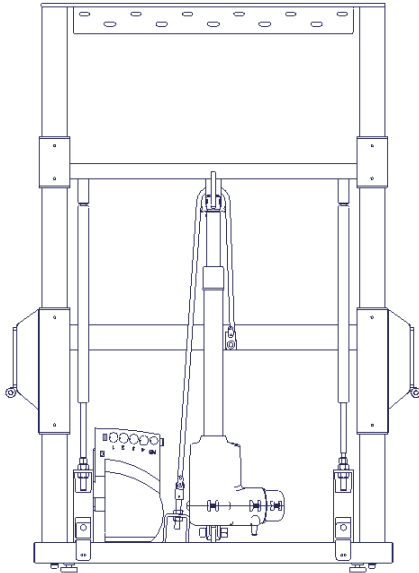
Mount the cover plates

Connect the main power, and the nursing table is ready to be used.

Electrical components

Wire diagram

The nursing table is delivered with the control box already mounted on the frame. The diagram shows how the cables are connected to the control box.

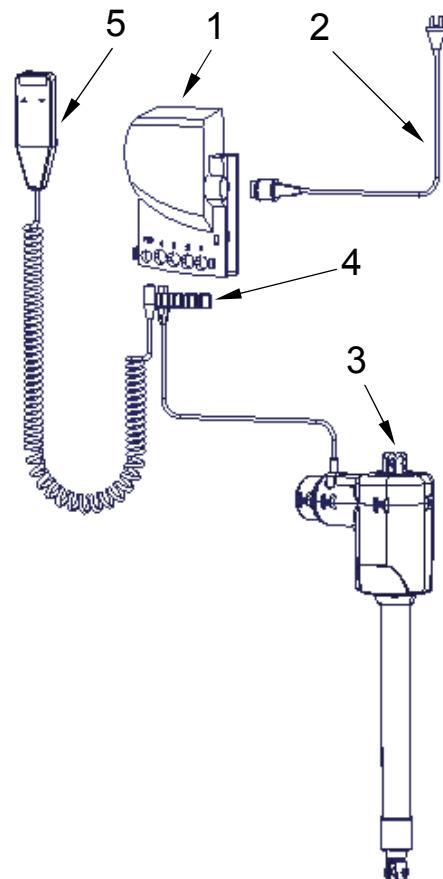
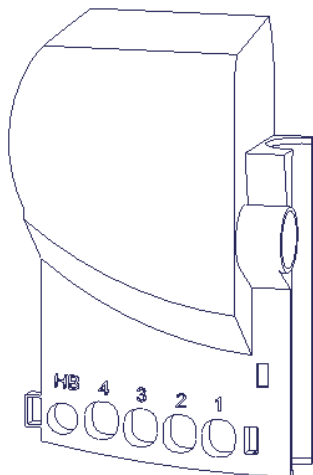


All the plugs are water tight, and therefore they can be a little tricky to connect / disconnect. Make sure that the plugs are positioned correct before they are pushed into the sockets at the control box. The plugs must be pushed into the sockets until the “O-ring” is no longer visible.

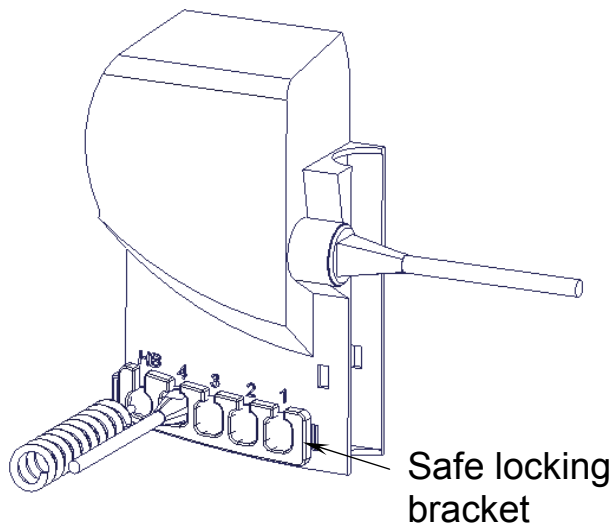
Motor, control box and control switch apply to IP66. This means that they are dust tight and protected against heavy seas, or powerful jets of water.

The electronic system are designed for periodical use only, this means a max. duty cycle of 10%; 2min on /18min off.

1. Control box
2. Mains cable 230V
3. Motor, connects to plug 4
4. End plug, connects to plug 1, 2 & 3
5. Control switch



Electric components



Connections

Motor cable connects to plug 4. Plug 1, 2 & 3 are not in use and blocked. Control switch connects to "HB". When all cables has been connected, use the safe locking bracket. Pushed in until you hear a "click".

Mains cable connects to the plug at the side of the box.

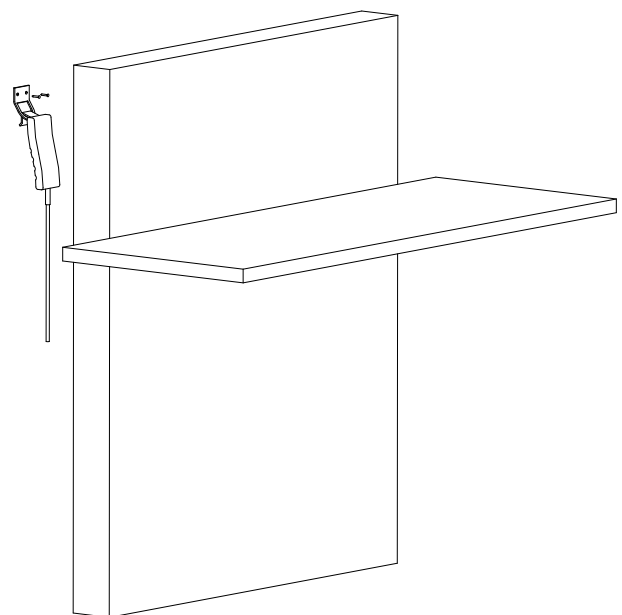
Disconnections

Mains cable can be pulled out (no safe locking bracket).

Before the other cables can be disconnected, the safe locking bracket needs to be released / removed. Locking clips at each end of the safe locking bracket has to be released before the bracket can be removed, and the cables can be disconnected.

Placement of the hand control.

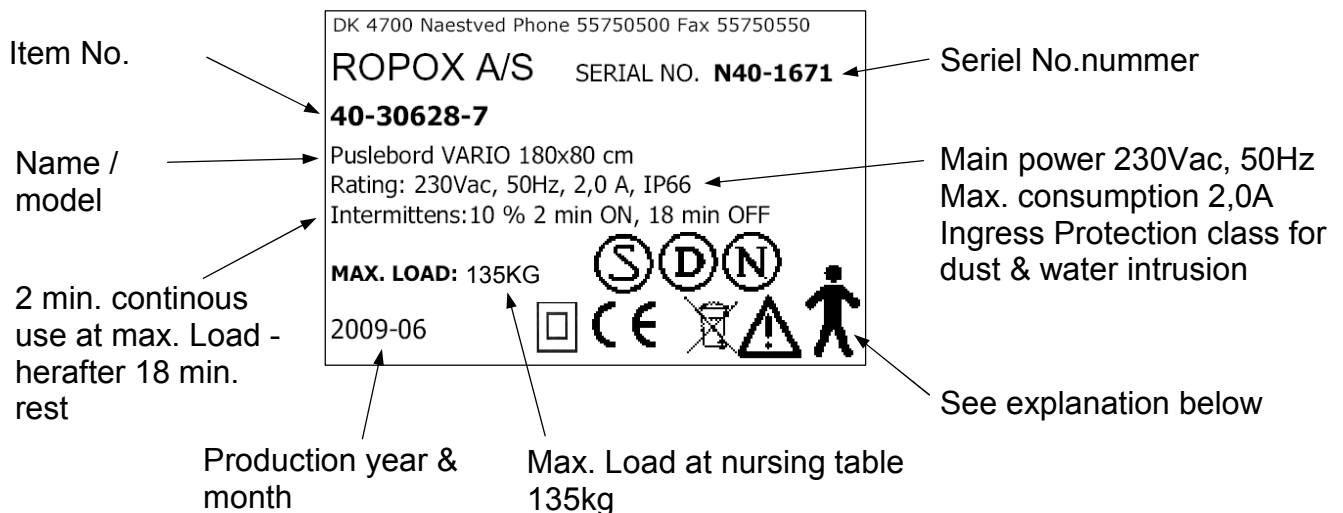
Bracket for hand control can be placed at the wall as shown. To be mounted with the two screws that are delivered with the bracket.



Labelling

Label

Each bathtub has its own label as shown. The label contains much information which is very important to specify when contacting your supplier. It also shows main power supply.



Symbol view:



User Manual must be read before use



Waste must be sorted. Most parts for re-use.



NEMKO approval



DEMKO approval



SEMKO approval



Type B equipment. As for EN 60601-1



Class 2 equipment. Without earth connection.



CE-marking. This product complies to the demands for general safety and functionality in the relevant EU directives and standards.

EMC information



The nursing table comply to the demands for electromagnetic compatibility (EMC), if installation and daily use is according to instructions in this Manual.

In seldom situations the nursing table might be affected by electronic signals from ex. Portable computers, cell phones etc.

Fault finding

Fault finding

Nursing table do not move up or down by using the hand control	Check if: Main power connected 230V. Motor is connected to control box Hand control is connected to control box Motor are over loaded
Hand control defect	Check if: Nursing table works with another hand control

Waist handling



Used equipment shall be disposed according to the National law. We recommend to dismantle the product to the greatest extent possible, in a way that most parts can be reused. Be aware that this product contains electronically components. Example for groups this product can be sorted in: metal, plastic, cables, electronics and parts for destruction.

Factors affecting the operation

- Temperature: 5°C to 45°C
relative humidity: 5% to 85% non-condensing

Factors affecting storage and transport



Maintenance and cleaning

Maintenance

The nursing table is maintenance free. All moving parts have been lubricated. For safety reasons it is recommendable to check all mounting screws and moving parts to be sure all is tightened ok. Also check the cables are not damaged and can move freely.

The Laminate worktop is maintenance free.

Cleaning the nursing table

To clean the nursing table do not use a high-pressure washer. The bathtub is not machine washable.

Simply use a soft cloth or sponge with soapy water of max 60°C. Always clean the nursing table after use to prevent dirt from sticking to the surface.

Important:

Do not use scouring powder or other abrasives as they may scratch the paint and cover plates. Also avoid the use of cleaning utensils with sharp edges.

Never use strong mineral acids or alkali.

Laminate worktop:

Clean the Etronit-M surface with a soft cloth firmly wrung in hot water with a little liquid detergent. The detergent should be without sulphonic soap as this may result in a greasy surface. Stains that cannot be removed with water can often be removed with a mixture of equal parts chlorine bleaching and water or with acetone. When using these products see that the room is sufficiently ventilated and note that these products should not be used on wooden edges.

Stains from felt-tip pencils can be removed using methylated spirit, and pencil strokes can be removed with a piece of eraser. In case of doubt, we recommend you experiment on a spot that cannot be seen as certain products may damage the laminate, e.g. sulphuric acid etc.

Some chemicals, ink and strongly colouring fruit juices may cause discoloration if they remain on the table for a longer period of time as the pigmentation sticks to the surface.

Do not use steel wool, scouring powder and other abrasive products or detergents leaving a film on the surface, e.g. yellow soap.

After cleaning, rinse with clear water and dry with a cloth or the like.

Mattress

Canvas: Recommended cleaning detergent: Normal soap or alcohol, the alcohol can be used undiluted.

Machine washable at max. 95° and can be dry tumbled at max. 130°.

Foam: Cannot be washed

Options

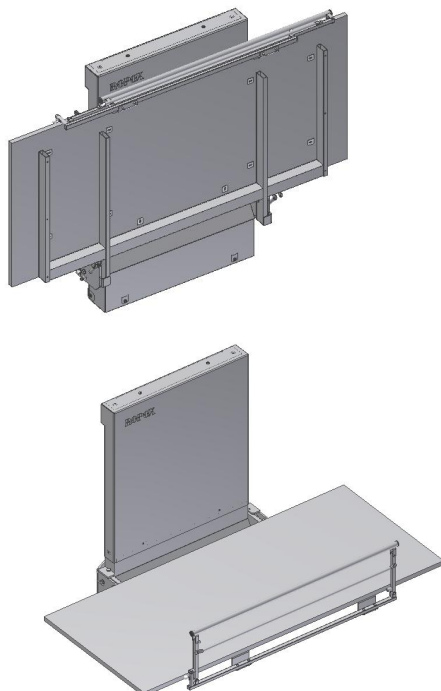
Bed guard, foldable

Foldable Bed guard in length 60 and 110 cm is available as an option. We recommend mounting it in the centre of the worktop as shown on the drawing below. The brackets will be mounted underneath the worktop with the screws supplied.

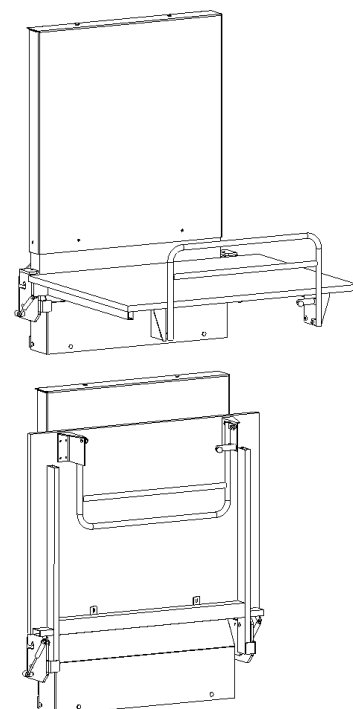
We can also supply a fixed bed guard L=60 cm to be mounted at the end of the worktop. To be mounted at the edge of the worktop.

<u>Længde</u>	<u>60 cm</u> <u>Folding down</u>	<u>60 cm</u> <u>Foldable</u>	<u>110 cm</u> <u>Folding down</u>	<u>110 cm</u> <u>Foldable</u>
90				
100	40-25706	40-25969		
110	40-25706	40-25969		
120	40-25706	40-25969		
130	40-25706	40-25969	40-25708	
140	40-25706	40-25969	40-25708	40-25964
150	40-25706	40-25969	40-25708	40-25964
160	40-25706	40-25969	40-25708	40-25964
170	40-25706	40-25969	40-25708	40-25964
180	40-25706	40-25969	40-25708	40-25964
190	40-25706	40-25969	40-25708	40-25964

Foldable bed guard



Folding down bed guard



Options

Mattresses

The mattress is delivered in same sizes as the nursing table size and includes a anti slip surface.

<u>Length</u>	<u>Width 70</u>	<u>Mattress, W=70</u>
90	40-30601	40-25793
100	40-30602	40-25766
110	40-30603	40-25768
120	40-30604	40-25760
130	40-30605	40-25761
140	40-30605	40-25795
150	40-30606	40-25762
160	40-30607	40-25796
170	40-30608	40-25763
180	40-30609	40-25764
190	40-30610	40-25765

<u>Length</u>	<u>Width 80</u>	<u>Mattress, W=80</u>
90	40-30619	40-25769
100	40-30620	40-25770
110	40-30621	40-25771
120	40-30622	40-25772
130	40-30623	40-25773
140	40-30624	40-25774
150	40-30625	40-25775
160	40-30626	40-25776
170	40-30627	40-25777
180	40-30628	40-25778
190	40-30629	40-25779

EU – Declaration of Conformity



I hereby declare under sole responsibility that the following products:

40-30601	Nursing table Vario, 90 x 70 cm	40-30619	Nursing table Vario, 90 x 80cm
40-30602	Nursing table Vario, 100 x 70 cm	40-30620	Nursing table Vario, 100 x 80cm
40-30603	Nursing table Vario, 110 x 70 cm	40-30621	Nursing table Vario, 110 x 80cm
40-30604	Nursing table Vario, 120 x 70 cm	40-30622	Nursing table Vario, 120 x 80cm
40-30605	Nursing table Vario, 130 x 70 cm	40-30623	Nursing table Vario, 130 x 80cm
40-30606	Nursing table Vario, 140 x 70 cm	40-30624	Nursing table Vario, 140 x 80cm
40-30607	Nursing table Vario, 150 x 70 cm	40-30625	Nursing table Vario, 150 x 80cm
40-30608	Nursing table Vario, 160 x 70 cm	40-30626	Nursing table Vario, 160 x 80cm
40-30609	Nursing table Vario, 170 x 70 cm	40-30627	Nursing table Vario, 170 x 80cm
40-30610	Nursing table Vario, 180 x 70 cm	40-30628	Nursing table Vario, 180 x 80cm
40-30611	Nursing table Vario, 190 x 70 cm	40-30629	Nursing table Vario, 190 x 80cm

are all under Classification Class I and in conformity with the following directives and standards:

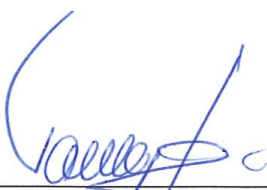
DIRECTIVES

- The Council Directive No.93/42EEC, concerning Medical Devices amended through Directive No.98/79/EC
- 73/23EEC Directive for Low-voltage, amended through Directive No.93/68/EEC
- 89/336/EEC, EMC-Directive, amended through Directives No.92/31/EEC and 93/68/EEC

STANDARDS

DS/EN	1041: 2009	DS/EN ISO	10993-1: 2009
DS/EN	14971: 2008	DS/EN	60601-1+CORR: 2006
DS/EN	12182: 2002	DS/EN	60601-1-2: 2007
DS/EN ISO	9999: 2009		

Dato: 17-07-2009



Tommy Jensen
Adm. direktør

Complaints

See General Terms of Sale and Delivery on www.ropox.com



ROPOX A/S

Ringstedgade 221

DK – 4700 Naestved

Tel.: +45 55 75 05 00 Fax.: +45 55 75 05 50

E-mail: info@ropox.dk

www.ropox.com