



Canis Major™ Exam Lift Table

For models:
CMWO (without scale)
CMWS (with scale)



User's Guide

Product Information

(The information below is required when calling for service)

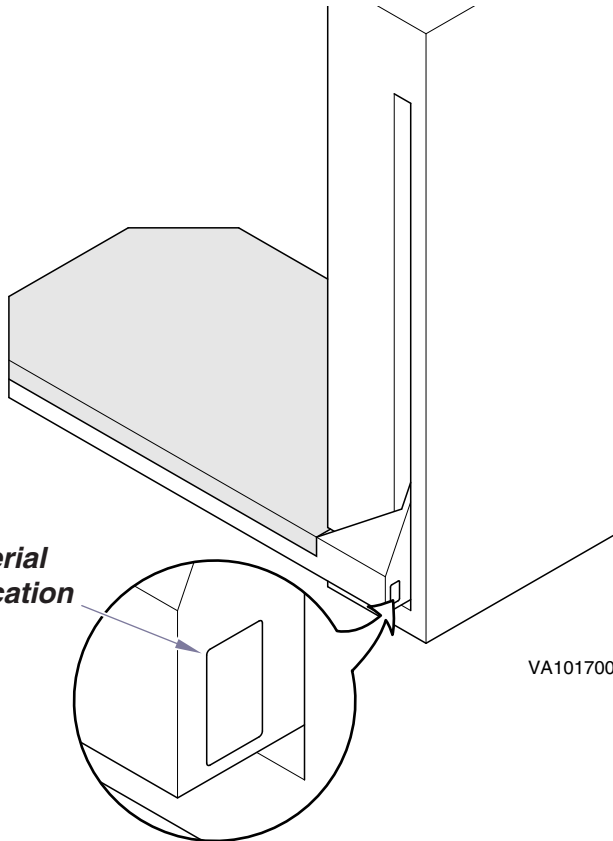
Dealer [name / phone]:

Date of Purchase:

Model / Serial Number:

Midmark Authorized Service Company [name / phone]:

Model / Serial Number Location



VA101700i

Table of Contents

Important Information

Safety Symbols	2
Transportation / Storage Conditions	2
Intended Use	2
Electrical Precautions	2

Operation

Table Up / Down (Hand Switches)	3
Table Up / Down (Foot Control)	3
Scale (Optional)	4

Maintenance

Cleaning	6
Preventative Maintenance	6
Troubleshooting	7
Calling For Service	7

Specifications

Weights, Dimensions, Electrical Specifications	8
Range of Motion	8

Warranty Information

Limited Warranty	9
Registration	9

Important Information

Safety Symbols



DANGER

Indicates an imminently hazardous situation which will result in serious or fatal injury if not avoided. This symbol is used only in the most extreme conditions.



WARNING

Indicates a hazardous situation which could result in serious injury if not avoided.



CAUTION

Indicates a potentially hazardous situation which could result in minor or moderate injury if not avoided. It may also be used to alert against unsafe practices.



Equipment Alert

Indicates a potentially hazardous situation which could result in equipment damage if not avoided.

Note

Amplifies a procedure, practice, or condition.



Dangerous voltage / shock hazard



Consult User Guide for important information.

Transportation / Storage Conditions

Ambient Temperature Range: 5°C to +38°C (+41°F to 100°F)

Relative Humidity 10% to 90% (non-condensing)

Atmospheric Pressure 500hPa to 1060hPa (0.49atm to 1.05atm)

Intended Use

This product is intended to be used as a table to provide positioning, support and cleaning of animals during examination or minor surgery procedures conducted by qualified professionals.

Electrical Precautions



WARNING

When using high frequency surgical devices or endocardial catheters:

- Use nonconductive material to insulate patient from metal portions of table.
- Consult operating instructions for the device before use.

Failure to comply may result in electric shock or burns to patient.

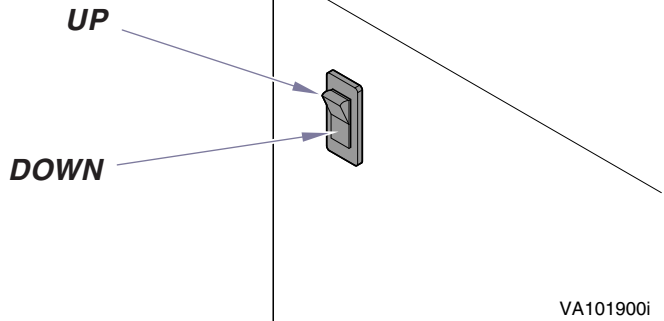
Operation

Table Up / Down (Hand Switches)

To move the table top UP or DOWN...
Press and hold either switch. Press the upper portion to raise table or lower portion to lower.

Note

Movement automatically stops at the max. / min. height. This table is also equipped with a safety feature that disables the down function when something is encountered under the table.



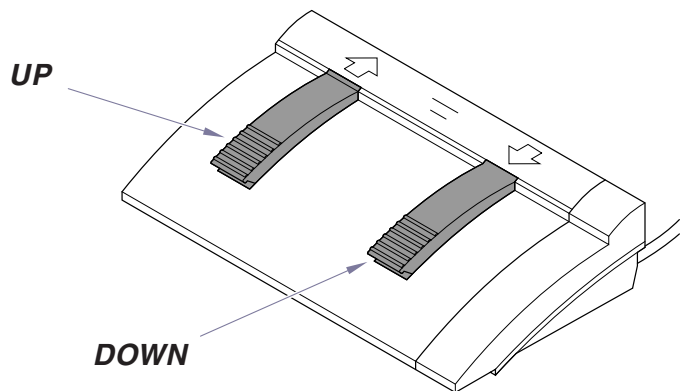
VA101900i

Table Up / Down (Foot Control)

To move the table top UP or DOWN...
Press and hold the appropriate switch.

Note

Movement automatically stops at the max. / min. height. This table is also equipped with a safety feature that disables the down function when something is encountered under the table.

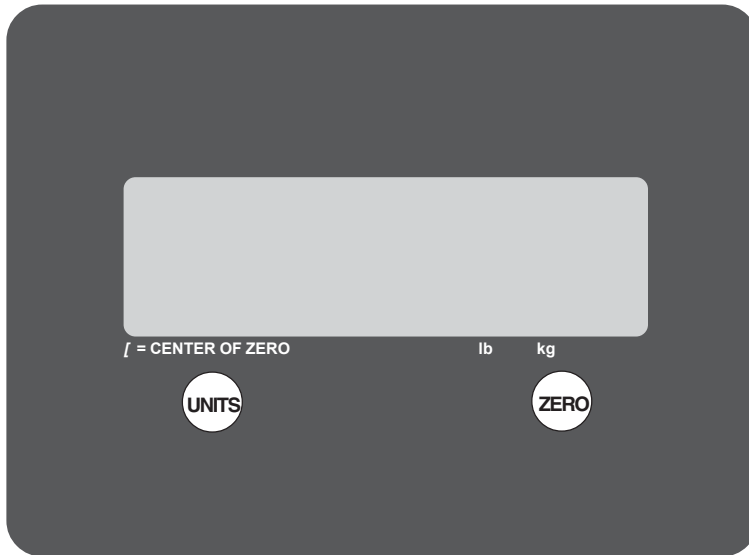


VA102000i

Operation

Scale (optional)

The 300 pound capacity platform scale utilizes four (4) built in load sensors. These electronic sensors are accurate within 5 grams, and are protected against impacts, moisture and liquid spills. The scale has been calibrated and all parameters are preset so it should never need calibration.



Equipment Alerts

- Prevent flammables and liquids from entering the scale head.
- Allow adequate clearance on all sides of scale platform to ensure accuracy.
- Do not drop large loads onto the scale platform.
- Never exceed the rated capacity of the scale.
- Do not operate in close proximity to RF transmitters.

There are two (2) controls located on the display:

UNITS	Toggles the displayed weight between pounds (lbs) and kilograms (kg).
ZERO	Resets the display to indicate zero (0.0).

Note

The scale will not respond to the ZERO control under these conditions:

Motion on Scale

An under load condition (less than 0.1lbs or 50g)

An over load condition (more than 300lbs or 1kg)

Operation

Scale (continued)

Weighing an animal without a cage:

- Zero scale (0.0), place animal on center of platform and read the weight displayed.

Note

A blank scale while weighing means excess motion is detected and weight averaging is in process. Once completed, the scale will display and HOLD the recorded weight. Adding additional weight while in the HOLD condition will NOT change the display.

Weighing an animal with a cage:

- Place empty cage on center of platform, then zero scale (0.0).
- Remove cage from platform; scale will read negative weight (-_._).
- Place cage with animal on center of platform and read/record weight.
- To continue to weigh animals in same sized cage, place next cage with animal on center of platform and read/record weight; do not zero scale.

Troubleshooting:

<u>Symptom or Error</u>	<u>Possible Problem (and/or) Remedy</u>
No Display	Power is OFF. / Table is unplugged from the power source.
Incorrect weight	Interference with scale platform. / Ensure there is nothing in contact with the sides of the scale platform. Ensure the correct UNIT (of measure) is selected.
Display segment (s) missing/illegible	Low or intermittent voltage. / Unplug for one (1) minute to reset system then reconnect to original power source. Disconnect power cord and use different power source.
ZERO key does not reset to [0.0]	Motion or activity on the scale. / Remove source of motion. Ensure platform is level and supported evenly at corners. Weight on scale may exceed the zero limit. Unplug for one (1) minute to reset system.
Display "locked & will not change	System Error. / Unplug the unit for one (1) minute to reset system. then reconnect to original power source.
Displays "HiLoAd"	Weight on scale exceeds capacity. / Remove excess load.
Displays "HiLdX"	The load placed on the scale is too heavy on a corner [shown as X]. / Move load to center of the scale platform.
Displays "LoLdX"	The scale is under loaded / Ensure that tabletop cover pins are properly seated on load cells.

If the problem cannot be resolved using the above corrective actions, please contact Midmark at 1-800-Midmark (1-800-643-6275) or 937-526-3662.

Maintenance

Cleaning

Tabletop Mat:

The tabletop mat should be cleaned between patients with a virucidal agent or mild disinfectant spray and towel or cloth dried. The mat can be moved to a tub or sink for a more thorough cleaning.



Equipment Alert

Silver nitrate and betadine can stain the mat. Certain pharmaceutical products such as “ADVANTAGE” will react and cause bubbles on the mat surface. Caution must be used when selecting a cleaning agent.

Painted Surfaces:

Clean the table weekly, wiping the painted metal and plastic surfaces with a clean, soft cloth, and mild cleaners. Periodic applications of common furniture wax will ease cleaning and maintain the finished luster of the table’s painted surfaces.

Stainless Steel Surfaces:

For best results, stainless steel should be cleaned weekly or whenever films or deposits become apparent. Use a mild cleaning agent and whenever possible rinse thoroughly and towel dry. More stubborn deposits or tightly adhering debris may require vigorous rubbing, or brushing. If a commercial cleaner needs to be used, make sure it is approved for use on stainless steel surfaces.



Equipment Alert

Always use nylon or plastic bristle scrubbers. The use of steel wool or steel brushes may cause steel particles to become embedded in the surfaces and will cause rust.

Avoid prolonged surface exposure to chlorides, bromides, iodides and thiocyanates. Salty solutions allowed to evaporate on stainless steel surfaces may cause pitting, corrosion or metal discoloration.

Preventive Maintenance

Periodically inspect the following areas:

- Power cord should be free of cuts or other visible damage.
- All fasteners should be present and tightened securely.
- All mechanical functions should operate properly.

Have an authorized service technician inspect your table on a regular basis.

Maintenance

Troubleshooting

If the table will not go up, check the following:

- Unit is plugged into a wall outlet
- Power to the outlet
- No visible damage to wiring
- The table is at its maximum height
- Foot control is fully inserted and making proper connections (try either hand toggle switches)
- Toggle switch is bad (try using switch on other side or foot control)

If the table will not go down, check the following:

- Unit is plugged into a wall outlet
- Power to the outlet
- No visible damage to wiring
- The table is at its minimum height
- The safety pan switch is activated by an obstacle beneath the table
- The safety pan switch is out of adjustment
- Foot control is fully inserted and making proper connections (try either hand toggle switches)
- Toggle switch is bad (try using switch on other side or foot control)

If the table won't stop when encountering an obstacle beneath the table, check:

- The safety pan bound or switch is out of adjustment

If the scale does not operate, check the following:

- Refer to scale section elsewhere in this manual

Calling For Service

Note

Model / Serial Number information is required when calling for service.

If service is required, contact your Midmark dealer.

To contact Midmark directly:

1-800-Midmark (1-800-643-6275) or 937-526-3662
8:00 am until 5:00 pm. Monday through Friday (EST)
[excluding standard U.S. holidays]

Specifications

Weights, Dimensions, Electrical Specifications

Maximum Patient Weight: 300 lbs (136 kg)

Weight of Table:

45" tabletop (w/o scale) [unpackaged] 315 lbs (142 kg)

45" tabletop (w/ scale) [unpackaged] 320 lbs (145 kg)

45" tabletop (w/o scale) [with packaging & skid] 372 lbs (169 kg)

45" tabletop (w/ scale) [with packaging & skid] 377 lbs (171 kg)

Range of Motion & Dimensions: (see illustration below)

Electrical Requirements: Dedicated Circuit, 115 VAC, 60Hz, 10A

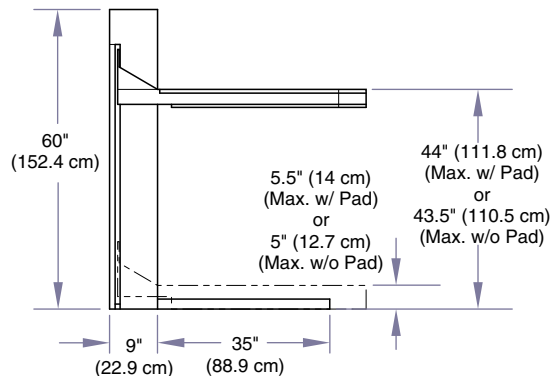
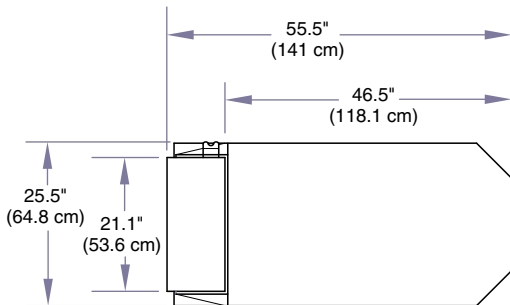
Power Cord: 4 ft. (121 cm) long

Duty Cycle

(actuator run time): Intermittent Operation

[1 minute ON / 9 minutes OFF]

Range of Motion & Dimensions



VA1700i

Warranty Information

Limited Warranty

SCOPE OF WARRANTY

Midmark Corporation (“Midmark”) warrants to the original purchaser its new Animal Care products and components (except for components not warranted under “Exclusions”) manufactured by Midmark to be free from defects in material and workmanship under normal use and service. Midmark’s obligation under this warranty is limited to the repair or replacement, at Midmark’s option, of the parts or the products the defects of which are reported to Midmark within the applicable warranty period and which, upon examination by Midmark, prove to be defective.

APPLICABLE WARRANTY PERIOD

The applicable warranty period, measured from the date of delivery to the original user, shall be one (1) year for all warranted products and components.

EXCLUSIONS

This warranty does not cover and Midmark shall not be liable for the following: (1) repairs and replacements because of misuse, abuse, negligence, alteration, accident, freight damage, or tampering; (2) products which are not installed, used, and properly cleaned as required in the Midmark “Installation” and or “User’s” Manual for this applicable product. (3) products considered to be of a consumable nature; (4) accessories or parts not manufactured by Midmark; (5) damage to mat caused by chewing; (6) charges by anyone for adjustments, repairs, replacement parts, installation, or other work performed upon or in connection with such products which is not expressly authorized in writing in advance by Midmark.

EXCLUSIVE REMEDY

Midmark’s only obligation under this warranty is the repair or replacement of defective parts. Midmark shall not be liable for any direct, special, indirect, incidental, exemplary, or consequential damages or delay, including, but not limited to, damages for loss of profits or loss of use.

NO AUTHORIZATION

No person or firm is authorized to create for Midmark any other obligation or liability in connection with the products.

THIS WARRANTY IS MIDMARK’S ONLY WARRANTY AND IS IN LIEU OF ALL OTHER WARRANTIES, EXPRESS OR IMPLIED. MIDMARK MAKES NO IMPLIED WARRANTIES OF ANY KIND INCLUDING ANY WARRANTIES OF MERCHANTABILITY OR FITNESS FOR ANY PARTICULAR PURPOSE. THIS WARRANTY IS LIMITED TO THE REPAIR OR REPLACEMENT OF DEFECTIVE PARTS.

SF-1910 REV. A

Registration

To register your product warranty, go to www.Midmark.com

Midmark Corporation
60 Vista Drive
Versailles, OH 45380-0286
1-800-643-6275
1-937-526-3662
www.midmark.com



Because we care.