



User Manual

UbiQ-231

Scenario Control Terminal

ADVANTECH

Enabling an Intelligent Planet

Copyright

The documentation and the software included with this product are copyrighted 2012 by Advantech Co., Ltd. All rights are reserved. Advantech Co., Ltd. reserves the right to make improvements in the products described in this manual at any time without notice. No part of this manual may be reproduced, copied, translated or transmitted in any form or by any means without the prior written permission of Advantech Co., Ltd. Information provided in this manual is intended to be accurate and reliable. However, Advantech Co., Ltd. assumes no responsibility for its use, nor for any infringements of the rights of third parties, which may result from its use.

Acknowledgements

ARM is trademarks of ARM Corporation.

Ti OMAP is trademarks of Ti Corporation.

Microsoft Windows are registered trademarks of Microsoft Corp.

All other product names or trademarks are properties of their respective owners.

Declaration of Conformity

CE

This product has passed the CE test for environmental specifications. Test conditions for passing included the equipment being operated within an industrial enclosure. In order to protect the product from being damaged by ESD (Electrostatic Discharge) and EMI leakage, we strongly recommend the use of CE-compliant industrial enclosure products.

FCC Class B

Note: This equipment has been tested and found to comply with the limits for a Class B digital device, pursuant to part 15 of the FCC Rules. These limits are designed to provide reasonable protection against harmful interference in a residential installation. This equipment generates, uses and can radiate radio frequency energy and, if not installed and used in accordance with the instructions, may cause harmful interference to radio communications. However, there is no guarantee that interference will not occur in a particular installation. If this equipment does cause harmful interference to radio or television reception, which can be determined by turning the equipment off and on, the user is encouraged to try to correct the interference by one or more of the following measures:

- Reorient or relocate the receiving antenna.
- Increase the separation between the equipment and receiver.
- Connect the equipment into an outlet on a circuit different from that to which the receiver is connected.
- Consult the dealer or an experienced radio/TV technician for help.\

Warning! *Any changes or modifications made to the equipment which are not expressly approved by the relevant standards authority could void your authority to operate the equipment.*



Technical Support and Assistance

1. Visit the Advantech website at <http://support.advantech.com> where you can find the latest information about the product.
2. Contact your distributor, sales representative, or Advantech's customer service center for technical support if you need additional assistance. Please have the following information ready before you call:
 - Product name and serial number
 - Description of your peripheral attachments
 - Description of your software (operating system, version, application software, etc.)
 - A complete description of the problem
 - The exact wording of any error messages

Warnings, Cautions and Notes

Warning! *Warnings indicate conditions, which if not observed, can cause personal injury!*



Caution! *Cautions are included to help you avoid damaging hardware or losing data. e.g.*



There is a danger of a new battery exploding if it is incorrectly installed. Do not attempt to recharge, force open, or heat the battery. Replace the battery only with the same or equivalent type recommended by the manufacturer. Discard used batteries according to the manufacturer's instructions.

Note! *Notes provide optional additional information.*



Safety Instructions

1. Read these safety instructions carefully.
2. Keep this User Manual for later reference.
3. Disconnect this equipment from any AC outlet before cleaning. Use a damp cloth. Do not use liquid or spray detergents for cleaning.
4. For plug-in equipment, the power outlet socket must be located near the equipment and must be easily accessible.
5. Keep this equipment away from humidity.
6. Put this equipment on a reliable surface during installation. Dropping it or letting it fall may cause damage.
7. The openings on the enclosure are for air convection. Protect the equipment from overheating. **DO NOT COVER THE OPENINGS.**
8. Make sure the voltage of the power source is correct before connecting the equipment to the power outlet.
9. Position the power cord so that people cannot step on it. Do not place anything over the power cord.
10. All cautions and warnings on the equipment should be noted.
11. If the equipment is not used for a long time, disconnect it from the power source to avoid damage by transient overvoltage.
12. Never pour any liquid into an opening. This may cause fire or electrical shock.
13. Never open the equipment. For safety reasons, the equipment should be opened only by qualified service personnel.
14. If one of the following situations arises, get the equipment checked by service personnel:
 - The power cord or plug is damaged.
 - Liquid has penetrated into the equipment.
 - The equipment has been exposed to moisture.
 - The equipment does not work well, or you cannot get it to work according to the user's manual.
 - The equipment has been dropped and damaged.
 - The equipment has obvious signs of breakage.
15. **DO NOT LEAVE THIS EQUIPMENT IN AN ENVIRONMENT WHERE THE STORAGE TEMPERATURE MAY GO BELOW -20° C (-4° F) OR ABOVE 60° C (140° F). THIS COULD DAMAGE THE EQUIPMENT. THE EQUIPMENT SHOULD BE IN A CONTROLLED ENVIRONMENT.**
16. **CAUTION: DANGER OF EXPLOSION IF BATTERY IS INCORRECTLY REPLACED. REPLACE ONLY WITH THE SAME OR EQUIVALENT TYPE RECOMMENDED BY THE MANUFACTURER, DISCARD USED BATTERIES ACCORDING TO THE MANUFACTURER'S INSTRUCTIONS.**

The sound pressure level at the operator's position according to IEC 704-1:1982 is no more than 70 dB (A).

DISCLAIMER: This set of instructions is given according to IEC 704-1. Advantech disclaims all responsibility for the accuracy of any statements contained herein.

Instructions for the User

The document combines text and illustrations, providing a comprehensive overview of the system. The information is presented as sequential steps of action, allowing the user to learn directly how to use the device. The text provides explanations and instructs the user step by step in the practical use of the product, with short, clear instructions in easy-to-follow sequence.

Contents

Chapter 1	Introduction.....	1
1.1	Overview	2
	Figure 1.1 Overview of the UbiQ-231	3
	Figure 1.2 I/O Ports of the UbiQ-231	3
1.2	System Configuration.....	4
	Figure 1.3 System Configuration of the UbiQ-231	4
Chapter 2	Hardware and Software Description..	5
2.1	Main Specifications	6
2.2	General Specifications	7
2.3	Mechanical Specifications.....	8
	Figure 2.1 System Dimensions of the UbiQ-231	8
	Figure 2.2 Wall-Box Dimensions of the UbiQ-231	8
	Figure 2.3 Bracket Dimensions of the UbiQ-231	9
2.4	External View	9
	Figure 2.4 Overview.....	9
	Figure 2.5 Front View	10
	Figure 2.6 back View	10
2.5	Installation & Mounting Guide	11
	Figure 2.7 Installation View of the UbiQ-231	11
	2.5.1 Pre-Market: Assembly with Wall Box	11
	2.5.2 After-Market: Assembly with Bracket	11
Chapter 3	Software Description.....	13
3.1	Window CE Embedded software specifications.....	14
3.1.1	UbiQ-231 Image.....	14
	Figure 3.1 User Manual Download Page.....	14
3.1.2	UbiQ-231 SDK application develop tools.....	14
	Figure 3.2 Hotkey Control.....	15
	Figure 3.3 UART Control	15
	Figure 3.4 LED Control	16
	Figure 3.5 Audio Control.....	16
Chapter 4	Design Requirements.....	17
4.1	Environmental Specifications	18
4.2	Reliability	18

Chapter 1

Introduction

This chapter briefly introduces the UbiQ-231 product.

Sections include:

- Overview
- System Configuration

1.1 Overview

The UbiQ-231 comes with a 4.3" flat touch panel design scenario control panel. The 4.3" true color TFT LCD let the interaction between life and UbiQ-231 become more natural and colorful. Built-in powerful TI ARM Cortex-A8 OMAP-3503 CPU, Microsoft Windows® CE 6.0, IR receiver, RS-485, LAN and USB ports for versatile connectivity and more optional functions. IR receiver and Zigbee function make the UbiQ-231 has more remote control capability. Furthermore, the elegant outlook with slim faceplate which protrudes only 10 mm from the wall make the UbiQ-231 be more suitable for home environment.

UbiQ-231 Features

- 4.3" TFT LCD with Touch screen
- RISC base platform with Fan-less Design
- Ideal for Access & Scenario Control
- High performance with TI ARM Cortex-A8 OMAP-3503
- Flat touch panel design
- Support Horizontal or Vertical display
- Built-in Speaker
- Ethernet x 1, RS-485 x 1, USB x 2
- Microsoft Windows® CE 6.0
- Advantech SUSI API manager is supported for easy SI development
- Various Faceplate (by Request)
- PoE Power(Power over Ethernet) / Zigbee(802.15.4) / IR receiver by project



Figure 1.1 Overview of the UbiQ-231

The I/O placement is arranged for control and data networking systems

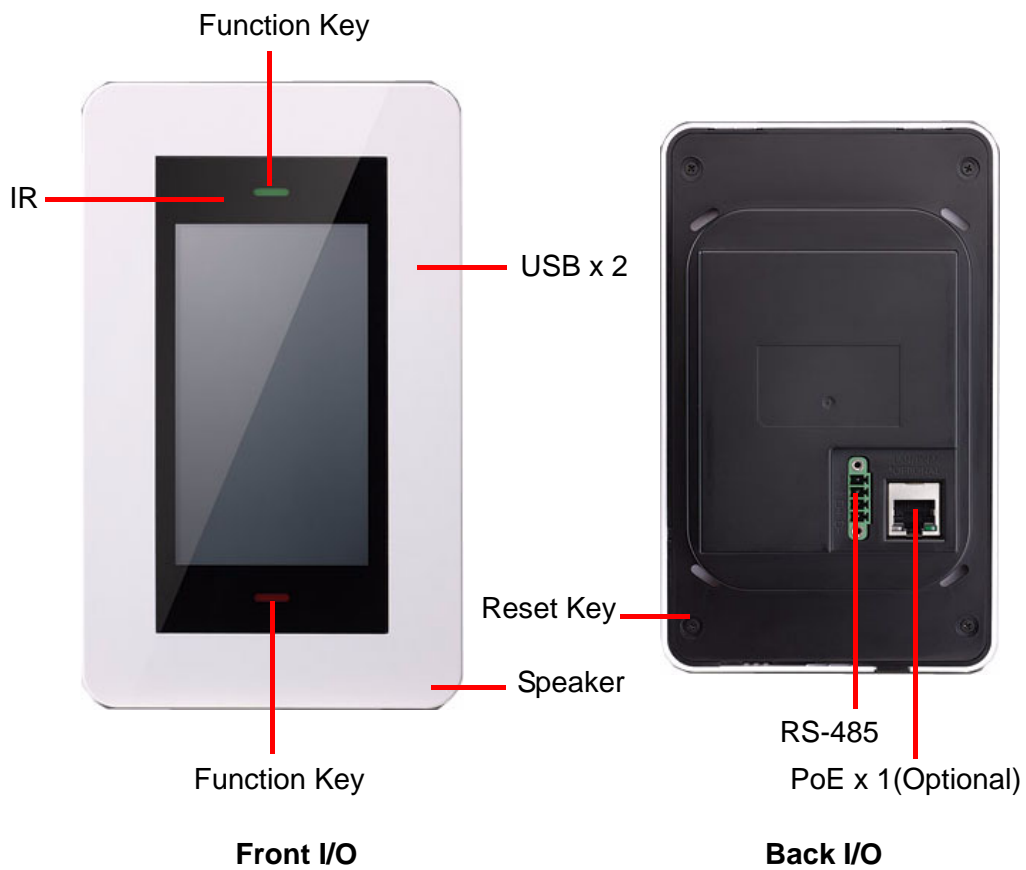


Figure 1.2 I/O Ports of the UbiQ-231

1.2 System Configuration

A block diagram of the UbiQ-231 Home Terminal based home automation environment & scenario control is shown in the following diagram:

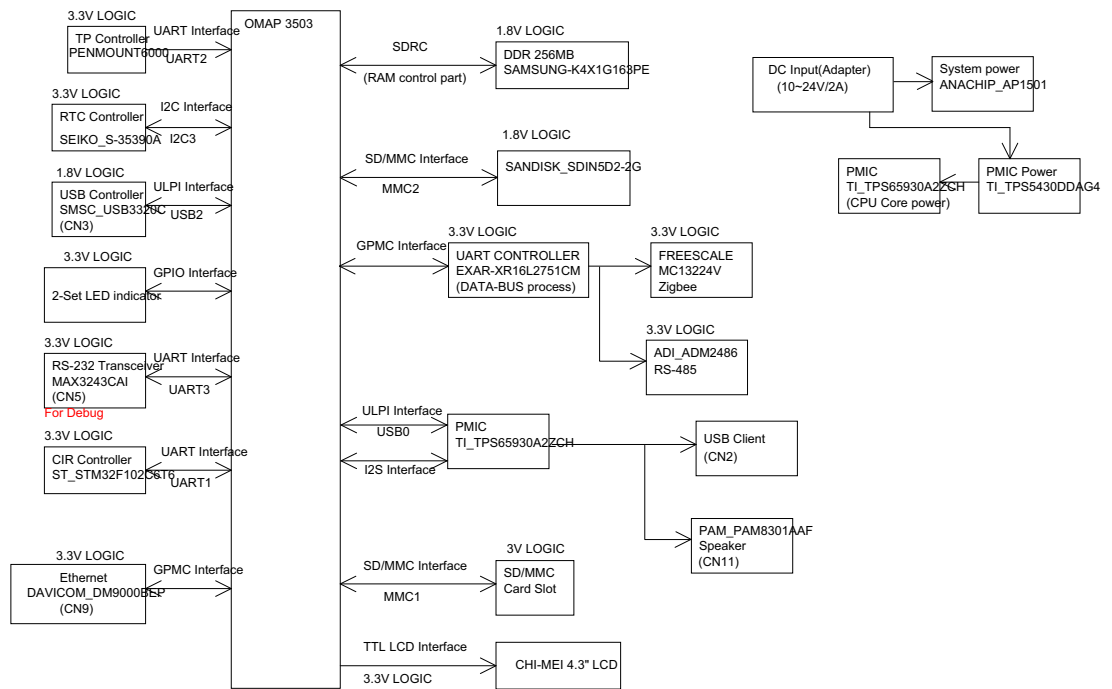


Figure 1.3 System Configuration of the UbiQ-231

Chapter 2

Hardware and Software Description

This chapter describes the hardware features of the UbiQ-231 product.

Sections include:

- Main Specifications
- General Specifications
- Mechanical Specifications
- External View
- Installation & Mounting Guide

2.1 Main Specifications

The UBIQ-231 is an elegant touch panel with customizable fascias that installs in the walls of residential and commercial spaces to control anything from audio, video and communications appliances to lighting, climate and security devices. Windows CE 6.0 enables slick graphical user interfaces and an IR port accepts commands from remote controls for convenient operation.

In light of a soaring market demand, Advantech moves to efficiently and fully combine technology with comfort by establishing Advantech Intelligent Services that seek to extend the “UbiQuitous” model to every possible corner on the foundation of “Comfort, Convenience, Safety, and Energy-Consciousness”. Advantech also infuses its embedded system technology into putting together the “UBIQ Scenario Master” lighting scenario control modules. This produce line is compatible with community security monitoring and intercom systems; aside from control panels, Advantech is realizing a highly-sough-after intelligent living scenario for any digital home residents in the intelligent living industry. Whether it’s household space, or commercial venues such as hotels, restaurants, and boardrooms, all can enjoy the amenity and comfort of Advantech’s living solutions promised by the combination of remote monitoring and real estate markets internet-controlled systems through the internet control system.

UBIQ Scenario Master are currently an integral part of numerous development projects, including luxury homes in Taiwan and India, Dubai, Australia, and many more international players catching on. Advantech’s UBIQ Scenario Master has won a place among lighting scenario control modules in digital homes; its user-friendly operation interface further promises the bliss of intelligent home living.

UBIQ-231 Features

- 4.3" TFT LCD with Touch screen
- RISC base platform with Fan-less Design
- Ideal for Access & Scenario Control
- High performance with TI ARM Cortex-A8 OMAP-3503
- Flat touch panel design
- Support Horizontal or Vertical display
- Built-in Speaker
- Ethernet x 1, RS-485 x 1, USB x 2
- Microsoft Windows® CE 6.0
- Advantech SUSI API manager is supported for easy SI development
- Various Faceplate (by Request)
- PoE Power(Power over Ethernet) / Zigbee(802.15.4) / IR receiver by project

2.2 General Specifications

Model Name		UbiQ-231
Processor		TI OMAP 3503 600 MHz
Memory	Size	256 MB
	Module Type	Mobile DDR
OS Support		Windows CE 6.0
Display	Size/Type	4.3" TFT color LCD
	Max. Resolution	480 x 272
	Brightness (cd/m ²)	500cd/m ²
	Viewing Angle	130/105
	Brightness Control	PWM
VGA	Chipset	CPU build-in
Storage / Type		iNAND 2 GB flash on board SD Slot (optional, up to 32 GB)
I/O Port	Rear I/O	RS-485 x1
	Front I/O	USB 2.0 Host x1/Client x1 (Below Cover)
Mechanical	Mounting type	Wall Mounting
	Dimension (W x H x D)	106.7 x 174.7 x 34.6 mm
LED		2
Network (LAN)		10/100 Mbps Ethernet (RJ-45) x 1
Audio	Chipset	-
	SPK / MIC	Speaker x 1 output
Power	Output Rating	12 ~ 24 V _{DC}
	Input Voltage	100 ~ 240 V _{AC}
Touch screen	Technology	Resistive(controller)
	Touch Life Cycle	10 million touches
Tempera- ture	Operation	0 ~ 40° C
	Storage	-20° C ~ 60° C
Certificate		CE/FCC Class B, CCC, BSMI, UL
Option	Wi-Fi	-
	PoE	By Project
	IR receiver x 1	By Project
	Zigbee	By Project
Wall Box		101.8 x 133.22 x 52 mm

2.3 Mechanical Specifications

System dimensions: 106.7 (W) x 174.7 (H) x 34.6 (D) mm

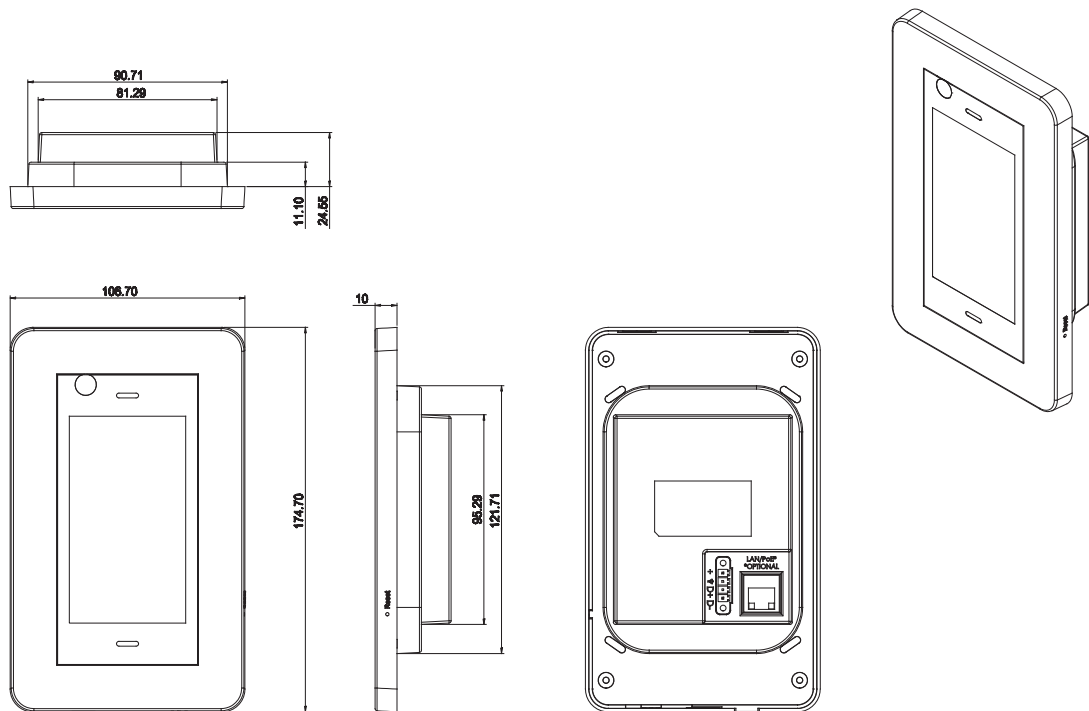


Figure 2.1 System Dimensions of the UbiQ-231

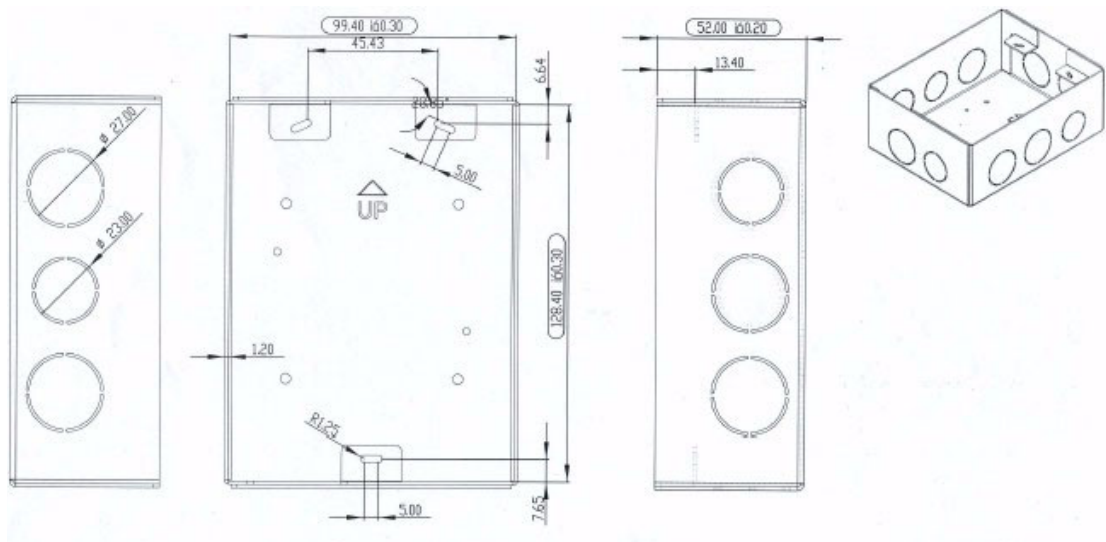


Figure 2.2 Wall-Box Dimensions of the UbiQ-231

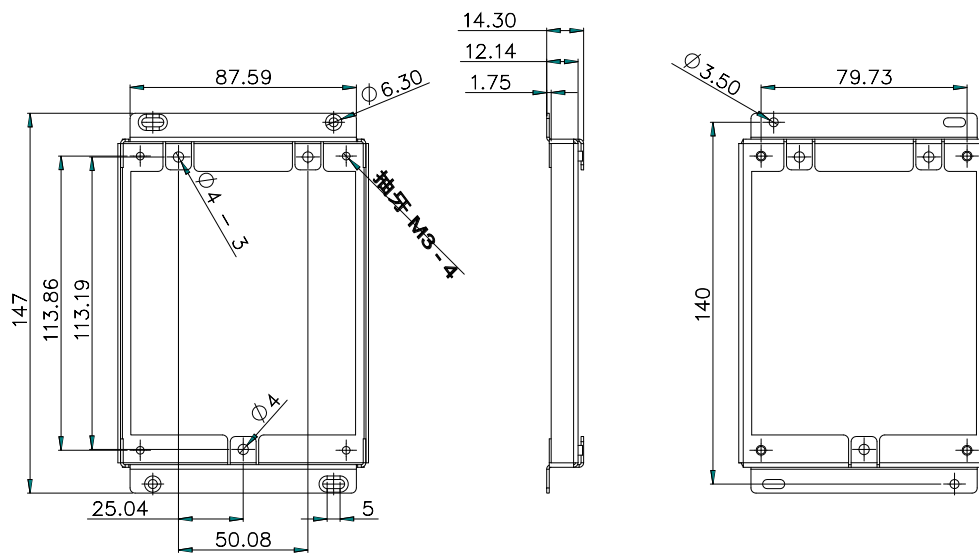


Figure 2.3 Bracket Dimensions of the UbiQ-231

2.4 External View



Figure 2.4 Overview



Figure 2.5 Front View



Figure 2.6 back View

2.5 Installation & Mounting Guide

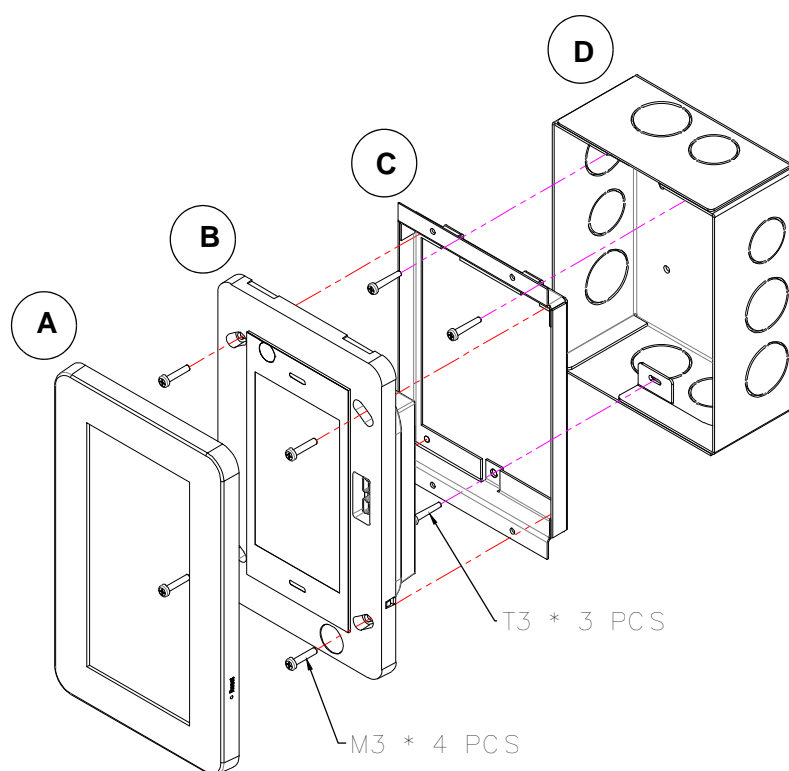


Figure 2.7 Installation View of the UbiQ-231

2.5.1 Pre-Market: Assembly with Wall Box

1. Put Wall Box (D) in the wall
2. Bracket (C) with Wall Box (D)
3. Mid Cover (B) with Bracket (C)
4. Put Front cover (A) on the Mid Cover (B)

2.5.2 After-Market: Assembly with Bracket

1. Bracket (C) with Wall Box (D)
2. Mid Cover (B) with Bracket (C)
3. Put Front cover (A) on the Mid Cover (B)

Chapter 3

Software Description

The chapter description the software feature for the UbiQ-231.

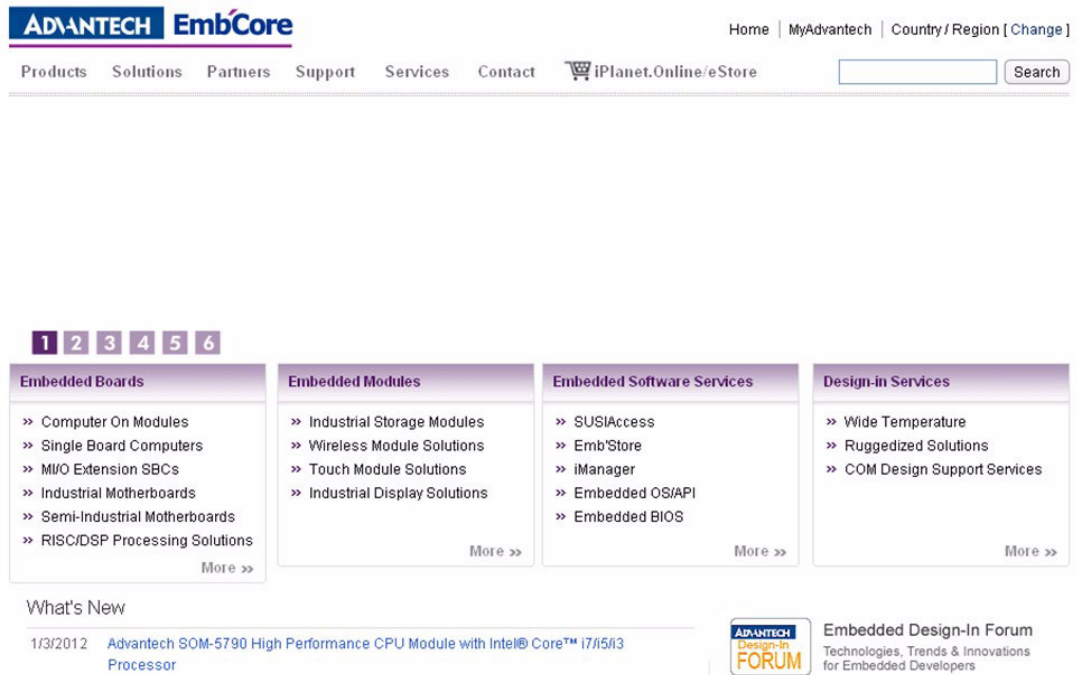
- Windows CE Embedded software specifications

3.1 Window CE Embedded software specifications.

3.1.1 UbiQ-231 Image

UbiQ-231 Image (Embedded the Window CE 6.0 OS) include by system.
Please link to website to download software manual download.

- **SUSI 3.0 User Manual:** <http://www.advantech.com/ess/download.aspx>



The screenshot shows the Advantech website header with the logo and navigation links: Home, MyAdvantech, Country/Region [Change], Products, Solutions, Partners, Support, Services, Contact, and a shopping cart icon for iPlanet.Online/eStore. Below the header is a search bar. The main content area features four columns of product categories: Embedded Boards, Embedded Modules, Embedded Software Services, and Design-in Services. Each column lists several sub-categories with 'More >>' links. Below the categories is a 'What's New' section with a news item dated 1/3/2012 about the Advantech SOM-5790 High Performance CPU Module with Intel® Core™ i7/i5/i3 Processor. To the right of the news item is a banner for the Advantech Design-In Forum, which focuses on technologies, trends, and innovations for embedded developers.

Figure 3.1 User Manual Download Page

3.1.2 UbiQ-231 SDK application develop tools

UbiQ-231 SDK applications develop tools.

- Hotkey control
- UART control
- LED control
- Audio control

Please link to website to download manual download.

- **UbiQ-231 SDK :** <http://www.advantech.com/ess/download.aspx>

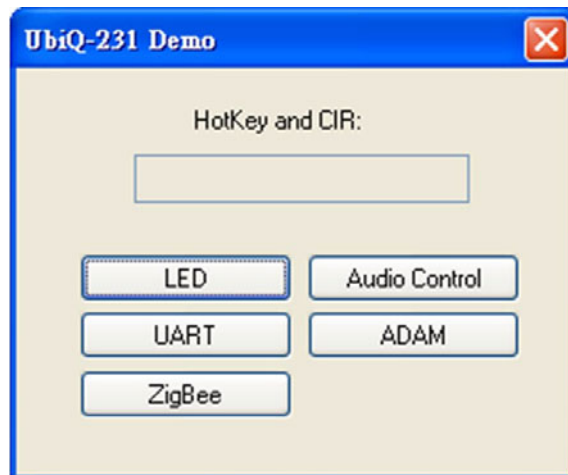


Figure 3.2 Hotkey Control

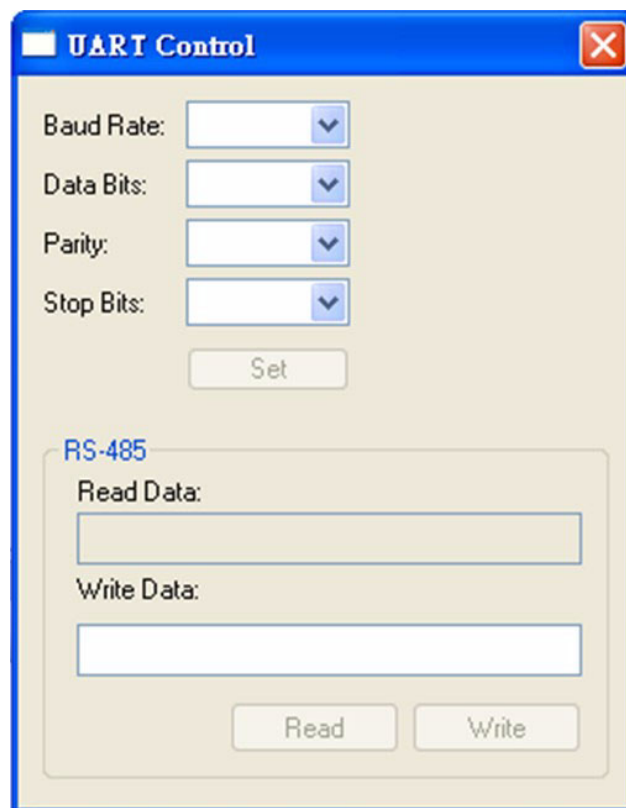


Figure 3.3 UART Control

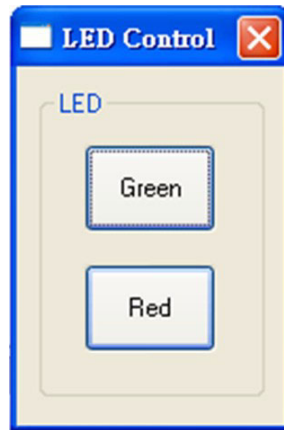


Figure 3.4 LED Control

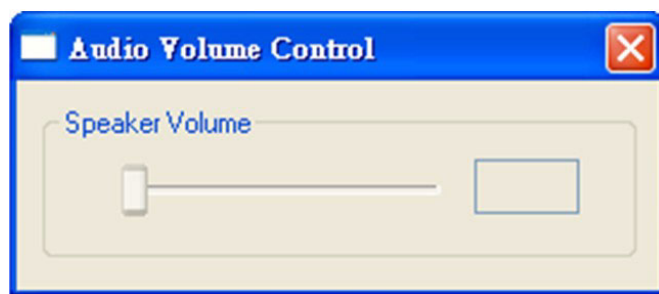


Figure 3.5 Audio Control

Chapter 4

Design Requirements

The chapter description the design requirements for the UbiQ-231.

Sections include:

- Environmental Specifications
- Reliability

4.1 Environmental Specifications

Temperature & Humidity:

- Operating Temperature: 0 ~ 40° C
- Storage Temperature : 0 ~ 60° C
- Relative Humidity: 0 ~ 95% RH (Non-condensed)

Case / Panel Temperature:

- Less than 40° C @ 25° C ambient temperature (front bezel)

Certification:

- CE
- FCC class B approved
- UL
- CCC

4.2 Reliability

MTBF:

- 20,000 hours

Touch Screen:

- 1 million touch actuation times on a single point with a 5/8" diameter silicon finger under a 350 g load at 2 Hz
- Power Requirements
- DC Input Voltage: 10 V ~ 24 V
- Power Consumption: less than 8 W (adapter: no less than 8 W)

- Note!**
1. *UbiQ-231 is to be connected only to PoE networks without routing to the outside plant.*
 2. *This product is intended to be supplied by a listed power unit marked "Class 2" and rated O/P: 10 to 24 V_{DC}, minimum 3 A.*
 3. *Make sure external power adapter (includes power cords and plug assemblies) provided with the unit will be certified and suitable for use in the countries.*



ADVANTECH

Enabling an Intelligent Planet

www.advantech.com

Please verify specifications before quoting. This guide is intended for reference purposes only.

All product specifications are subject to change without notice.

No part of this publication may be reproduced in any form or by any means, electronic, photocopying, recording or otherwise, without prior written permission of the publisher.

All brand and product names are trademarks or registered trademarks of their respective companies.

© Advantech Co., Ltd. 2012