
QLED 12

HIGH POWER QUAD LED FLAT PAR CANS

Order ref: 154.200/1UK

User Manual



*Errors and omissions excepted.
Copyright© 2012. AVSL Group Ltd.*

VERSION 1.0

INTRODUCTION:

QLED 12 HIGH POWER QUAD LED FLAT PAR CANSINI MOVING HEAD

Thank you for purchasing the QLED12 Flat PAR can. These revolutionary high power LED PAR cans feature Quad RGBW colour mixing technology which offers a huge variation of colours, from rich single colours to pastel shades, that tri LEDs cannot offer. The additional white LED allows you to adjust the colour temperature from cool to warm white which is ideal for a permanent fixture on a stage.

- 12 x 4-in-1 Quad LEDS RGBW
- 10W per LED (2.5W per colour)
- 25° beam angle
- Easy to operate control panel
- Sound to light operation for disco use
- Auto colour scrolling mode with time adjust
- 7-channel DMX
- Twin bracket for free standing and secure mounting
- Low profile design
- Fan cooled

TECHNICAL SPECIFICATION:

Voltage : 230Vac, 50Hz	Power Consumption: 140W
LED Type : 12 x 4-in-1 Quad LED RGBW	Fuse: F2A
Beam Angle: 25°	LED Lifespan: 10,000hrs
Dimensions : 260 x 260 x 150mm	Weight: 3kg

DISPOSAL:



Please disposal of the unserviceable device according to the current statutory requirement

DMX OPERATION:

4 Channel Mode:

DMX Channel	DMX Value	Function
1	000-255	Red Colour 0-100% Dimming
2	000-255	Green Colour 0-100% Dimming
3	000-255	Blue Colour 0-100% Dimming
4	000-255	White Colour 0-100% Dimming

7 Channel Mode:

DMX Channel	DMX Value	Function
1	000-015	Black-out
	016-255	Master Dimmer 0-100%
2	000-255	Red Colour 0-100% Dimming
3	000-255	Green Colour 0-100% Dimming
4	000-255	Blue Colour 0-100% Dimming
5	000-255	White Colour 0-100% Dimming
6	000-255	Strobe Slow to Fast
7	000-255	Auto colour fade slow to fast

PACKAGE CONTENTS:

Please check the contents to ensure that the product has been received in good condition.

QLED-12 Flat PAR Can x 1pcs	User's Guide x 1pcs
UK & EU Power Cords	1 x Mounting brackets

If you find any accessory is missing or the machine has arrived with any problems, please contact your local dealer at once. Do not try to fix this item yourself or you will lose the warranty. Please keep the original package and invoice for any possible replacement or returned demand.

INSTALLATION:

Every person involved with the installation, operation and maintenance of this device should be qualified and follow the instructions in this User Guide. We recommend that this product is not used for audience scanning and should be used within the guidelines of "HSG95". When you connect to the main power supply the device will take around 10 seconds before ready for use.

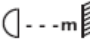
MOUNTING INSTRUCTIONS:

The dual mounting brackets come supplied but will require a G-clamp (not supplied) in order to mount safely.

When selecting an installation location, take into consideration routine maintenance. Safety cables must always be used. Never mount in places where the fixture will be exposed to rain, high humidity, extreme temperatures changes or restricted ventilation.

CAUTION! TO PREVENT MORTAL ELECTRICAL RISK AND LONG LIFE OPERATION:

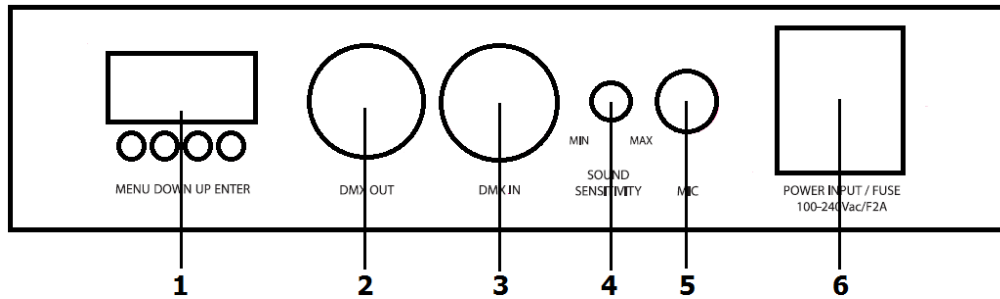
For your safety, please kindly pay attention to all of the warnings listed below:

- Always plug in the power plug last and disconnect from the mains, when the device is not in use or before cleaning.
- Do not install and operate the device in rain or extreme heat, moisture or dusty environments.
- This device is for indoor use only and in a dry environment.
- Do not switch on immediately but wait until it reaches to room temperature, if the device has been exposed to drastic temperature fluctuations.
- Do not shake the device and avoid brute force when installing or operating.
- Do not spray smoke or bubble fluid directly on to the device.
- Do not use the device during thunderstorms. Please disconnect from the mains.
- Do not use solvents or aggressive detergent to clean the device. Use a soft and clean cloth.
- Do not modify the device or the connected power cord without authorisation.
- Use appropriate safety-rope and G-Clamps.
- Do not stare directly in to the light.
- The symbol  determines the minimum distance from lighted objects. The minimum distance between light-output and the illuminated surface must be more than 0.5m.

DISPLAY CONTROLS:

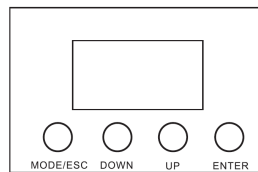
LED Display	Secondary Display	Action
Addr	A001-A512	Set DMX Address
Chnd	4Ch	4 Channel DMX mode
	7ch	7 Channel DMX mode
SLnd	nASt	Master Mode
	SLAv	Slave Mode
Shnd	SOU n	Sound to light mode (fade mode when no sound)
	CO01-15	Manual Colour select
	FAdE	Colour mode by fading (SP1-8 slow to fast colour change)
Nanu	rEd	Master Red brightness 0-100%
	grEE n	Master Green brightness 0-100%
	bLUE	Master Blue brightness 0-100%
	WHIt	Master White brightness 0-100%
tES t		Colour test mode
Fhr5		Number of hours the fixture

REAR LAYOUT:



1. Control board (see display controls section below)
2. DMX OUT
3. DMX IN
4. Sound Sensitivity
5. Microphone
6. Power IN

CONTROL DISPLAY FOR:



1. MODE\ESC: Menu or withdraw the last menu
2. DOWN: Decrease one set each time
3. UP: Increase one step each time
4. ENTER: Confirms the functions you select

CONNECT WITH POWER SUPPLY – THE GROUND WIRE MUST BE CONNECTED:

Use the plug to connect to the main power supply as follows:

Wire	Connection	International signal
Brown	Live	L
Blue	Neutral	N
Yellow /Cyan	Earth	

QUICK TROUBLE SHOOTING

If the unit is not functioning properly follow the below guidelines

- Check the IEC cable is fitted correctly.
- Check the fuse hasn't blown in both the IEC cable and unit (see below)
- Check any DMX cables are connected correctly
- Check the DMX address has been set correctly

If the unit still fails to respond then contact your retailer.

REPLACING FUSE

Disconnect from the main power supply first then remove the fuse holder above the IEC Socket to reveal the fuse. Replace with the correct fuse rating as stated on the product safety label. Then lock the fuse holder cover back into place.

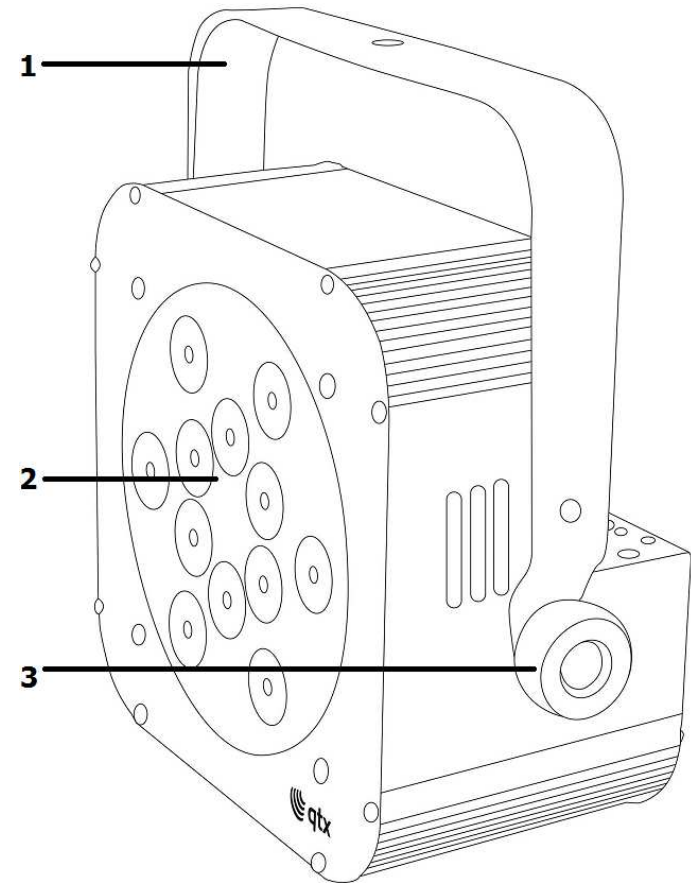
GENERAL MAINTENANCE

To maintain optimum performance and minimize wear, fixtures should be cleaned frequently. Usage and environment are contributing factors in determining frequency. As a general rule, fixtures should be cleaned at least twice a month. Dust build-up reduces light output performance and can cause overheating. This can lead to reduced life and increased mechanical wear. Be sure to power off the fixture before conducting maintenance.

Unplug fixture from the mains and use a vacuum or air compressor and a soft brush to remove dust collected on external vents and internal components. Clean all glass when fixture is cold with a mild solution to the cloth or tissue, and drag dirt and grime to the outside of the lens. Gently polish optical surface until they free of haze and lint.

The cleaning of external optical lenses must be carried out periodically to optimize light output. Cleaning frequently depends on the environment in which the fixture operates: damp, smoky or particularly dirty surroundings can require cleaning fluid. Always dry the parts carefully. Clean the external optics at least every 20 days.

LAYOUT:



1. Dual mounting brackets
2. LED panel
3. Bracket screws