

METESIA

GB

User Manual
(Translation of the originals
instructions manual)

Please read carefully before using your machine



LKX - LH

CONTENTS

LKX - LH mowers

1.	Your safety and that of others	3
2.	Key to diagrams	5
3.	Description.....	7
4.	Pictures	8
5.	Technical specifications.....	10
6.	Preparation and getting started	11
7.	Operating instructions.....	12
8.	Maintenance.....	14
9.	Winter storage - long stop.....	15
10.	Standard repairs – Breakdowns and solutions	16
11.	Regular maintenance summary table.....	16
12.	Warranty.....	17

CONGRATULATIONS

You are now the proud owner of an Etesia mower.

This extremely reliable and tough machine has been specially designed to give many years of service.

In order to prolong the life of your mower and keep it in excellent working order, read this manual carefully and always follow the safety recommendations and maintenance instructions.

Store this booklet in a safe place for any later need. This mower is only done to mow lawn. Any use out of lawn is to avoid.

As part of our commitment to excellence, we are constantly seeking new ways of improving our products. For this reason, your model may differ slightly from the description in this manual. Up-to-date technical information can be obtained from your dealer who will be happy to resolve any queries you may have.

BEFORE USING YOUR MOWER

- Prior to use, check that safety labels are present on the mower as indicated in the manual. If any safety labels are missing, inform your dealer immediately.
- The mower is required by law to carry the safety labels.
- Before using your mower, make sure that you are completely familiar with the controls and operating instructions so that you are able to stop the machine quickly.
- Before mowing, always clear the lawn of stones, pieces of wood or metal, wire, bones, plastic, branches and other debris liable to be thrown out by the mower.
Low branches liable to cause injury to the user should also be removed.
- Before mowing each time, ensure that the cutting blade is in good condition and tight and that the handlebar is locked.
- Loose clothing and short trousers should not be worn when using the mower. Always wear stout and closed shoes. Never use the mower barefoot or wearing sandals. Wear ear defenders.

1 • YOUR SAFETY AND THAT OF OTHERS

- Always follow these instructions when using your mower.
- Children under the age of 16 years, and people not familiar with the mower must not be allowed to use the machine.
- Never allow anyone who is not familiar with the operating manual to use your mower.
- Never drive your mower too close to embankments or ditches, on soft ground, or where there is a risk of overturning.
- Never operate the machine when feeling tired or unwell, or after consuming alcohol or taking medicine.
- The user is responsible for ensuring the safety of others within the area where the mower is being used. Whilst mowing, take care to avoid injury to others caused by flying stones and other objects.
- Keep a safe distance from people and animals when the engine is running. Never start the machine when they are close by.
- Never remove warning labels or safety instructions.
- The mower must have its collection bag and/or its safety shield/deflector. Frequently check that the collection bag shows no signs of wear or deterioration. Never use the mower if the protection is defective.
- Never place hands or feet under the cutting deck.
- Keep your hands and legs clear of rotating or moving parts. Always keep clear of the ejection opening.
- Before removing the grassbox or change the cutting height adjustment, stop the engine or the blade rotation.
- The hydraulic transmission of your mower uses pressurized oil. Never start the mower without the hydraulic transmission cowlings: pressurized hydraulic fluid that could escape could have sufficient force to penetrate the skin and cause serious injuries in which case medical help would be needed right away.
- Avoid obstacles such as mole hills, concrete pedestals, tree stumps and edging, which cannot be cut by the blade and which could damage the cutting mechanism specially the blade.
- Change the blade after any shock.
- Operate the mower only in broad daylight or with good artificial lighting.
- Whenever possible, do not mow wet grass.
- Respect the minimum safety distance given by the handlebars. When using the mower on slopes, it is necessary to be particularly careful and to exercise a great deal of caution when changing direction. Mow at right angles to the slope, never up or down.
- It should not be used on slopes that are too steep (see picture 1 - page 8).
- Never run but advance steadily and minding your step especially on slopes.
- Be very careful if you reverse the mower or pull it back towards yourself.
- Do not change the motor speed regulation settings or use the motor at too high a speed.
- **WARNING: NEVER ALLOW THE ENGINE TO RUN IN CONFINED AREAS. EXHAUST GASES CONTAIN MONOXIDE, WHICH IS ODOURLESS AND CAN KILL.**
- Never leave the engine running unsupervised.
- Stop the engine for any maintenance on the mower.
- The drive and blade clutch levers never have to be locked in working position.
- If the mower has to be lifted or transported, stop the engine and remove the spark plug cap.
- If you drive the mower out of the lawn, stop the engine and the blade rotation.
- Be sure also to comply with any legal requirements relating to the use of machines with thermal engines.
- These precautions are indispensable for your safety. The recommendations given are not exhaustive however. Use your mower judiciously at all times.
- By loading and unloading the machine it is recommended to use ramps or to ask help for the loading operation.

MAINTENANCE AND STORAGE

- Always maintain the machine and accessories in perfect working conditions.
- Replace worn or damaged parts for greater safety.

1 • YOUR SAFETY AND THAT OF OTHERS

- Cleaning or servicing the mower should not be started before having stopped the engine and disconnected the spark plug.
- The spare blades must only be fitted on machines for which they are designed, in accordance with the instructions.
- Always use recently purchased petrol. Old petrol could leave gum deposits in the carburettor, lead to leaks or make the engine difficult to start.
Only buy unleaded petrol as for maxi one month. Store the petrol in a clean container not used for other purposes.
- **WARNING:** fuel is highly flammable.
- NEVER STORE, SPILL OR USE PETROL NEAR A NAKED FLAME or near devices such as stoves, water-heaters with pilot lights or any other device liable to produce sparks.
- Always fill in the fuel tank outside a building in an open space. Do not smoke during this operation.
- Add fuel before starting the engine.
- Never remove the fuel cap whilst the engine is running or hot. Leave the engine to cool for few minutes before filling.
- Ensure that the fuel cork and fuel tank are replaced correctly.
- If you have tipped over fuel, do not attempt to start the engine. Remove the mower from the affected area and take care not to ignite any undispersed fuel vapour.
- Do not transport the mower with petrol in the tank or the feed cock open.
- Do not modify the regulator springs, rods or other parts to increase the engine speed. Operate the engine at the recommended speed.
- Do not check the spark by removing the spark plug. Use an approved checking system.
- Do not pull the starter while the spark plug is removed. If the engine is flooded, turn the fuel control to the MAXI position and start the engine until it starts up.
- Do not knock the engine wheel with a hammer or a hard object. Otherwise, the wheel may break during operation. Have all major servicing operations performed by an authorised ETESIA mechanic who has the appropriate tools.
- Do not use the engine without the silencer. Check the silencer regularly and have it replaced if it's damaged or leaking.
- Do not touch the exhaust, cylinder or fins when hot. Otherwise, you may get burnt.

- Do not use the mower in wooded areas, brush fallow or grassy ground if the exhaust is not fitted with a spark arrester. (The spark arrester must be kept in good condition by the owner or the user).
- Do not start the engine when the air filter or its cover is removed.
- To prevent the engine from starting accidentally, remove the spark plug cap during servicing operations.
- Clean the cylinder fins and regulator mechanism of any dirt, residue of grass and other materials which could alter the engine speed.
- Pull the starter cord slowly until you feel resistance. Then pull it energetically to prevent recoiling and hurting your hand or arm. Check the fuel pipe and connections for cracks and leaks and have them changed if necessary.
- The spare blades must only be fitted on machines for which they are designed, in accordance with the instructions.
- Use only original ETESIA spare parts. The use of inferior quality parts can damage the engine.








RESPONSIBILITY

- Etesia will not be held responsible in the event of failure to comply with this manual or with current regulations.
- Never attempt to modify yourself your mower without any prior approval from the manufacturer.
- Unauthorized adjustments could be dangerous and result in serious injury to the user.
No responsibility will be accepted by the manufacturer in the case of failure to comply with these instructions.

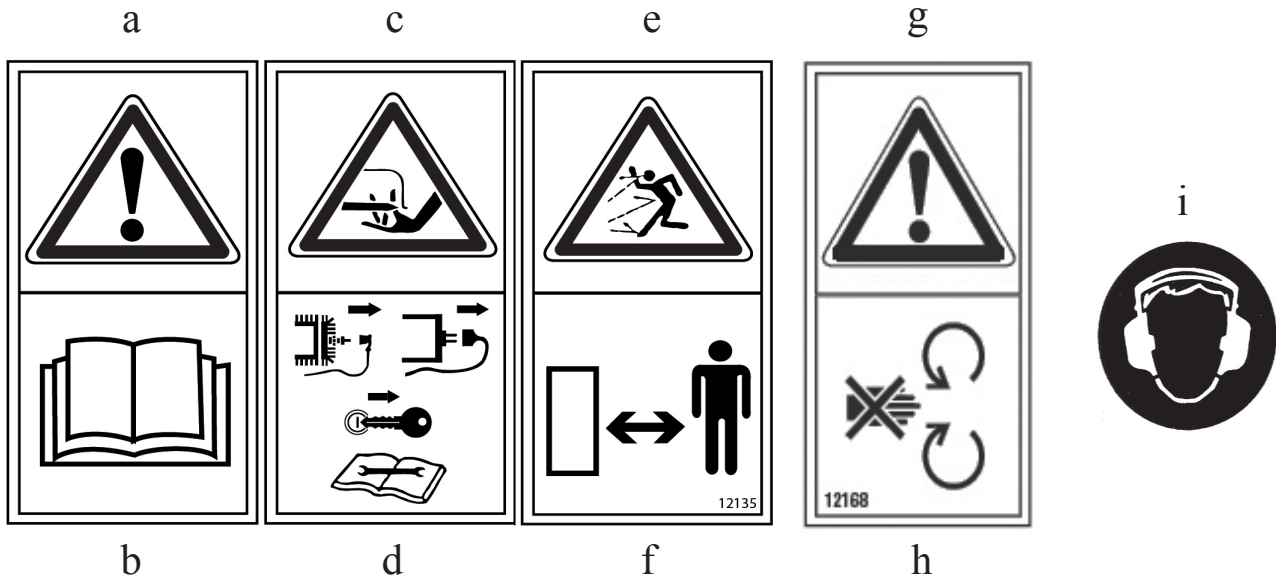
IDENTIFICATION OF THE MOWER

- The serial number of your mower is on the identification label on your mower on the top of the ejection channel.
- Always give this number to your Dealer for all servicing on your mower.
- You will only be ready to use this mower after you have read the safety instructions carefully. Read this manual of instructions for the use and maintenance of the machine in full.

2• KEY TO DIAGRAMS - SAFETY

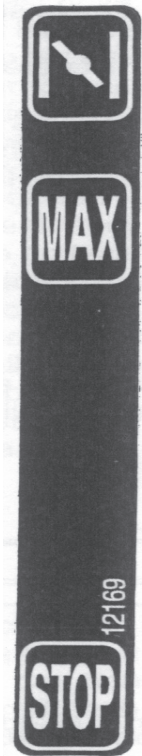
<p> This symbol appears in the instruction manual alongside those sections which deal with user safety.</p> <p> This symbol appears in the instruction manual alongside important information on how to prolong the life of your mower.</p> <p>• ENGINE DIAGRAMS</p> <p> Fuel is highly explosive and inflammable. Stop the engine before fill the fuel tank.</p> <p> DO NOT SMOKE. Fill up in a well ventilated place away from any source of flames or sparks.</p>	<p> Exhaust fumes are very toxic and contain carbone monoxide who is a deadly and odourless poison.</p> <p> Do not run the engine in confined areas.</p> <p> To avoid any burn, do not touch the exhaust pipe when it is hot.</p>
--	--

<p>• SAFETY LABELS</p> <p>a. CAUTION !</p> <p>b. Before using, please read and follow the safety and maintenance instructions of the instruction booklet.</p> <p>c. Finger cut risks.</p> <p>d. Stop the engine, disconnect the spark plug before proceeding any services on the mower.</p>	<p>e. Risk of projected objects.</p> <p>f. Keep the third person away from the machine.</p> <p>g. WARNING DANGER !</p> <p>h. Do not use the lawnmower if the grassbox and/or the shield/deflector are not in place.</p> <p>i. Obligatory hear protection.</p>
--	---



2• KEY TO DIAGRAMS - USE

• THROTTLE CONTROL LEVER



START position to start with cold engine

Maximum run

STOP position to stop the engine

• SPEED CONTROL LEVER



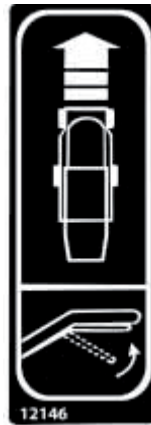
Forward speed 3

Forward speed 2

Forward speed 1

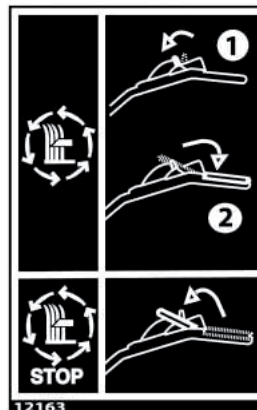
Reverse drive speed

• DRIVE CONTROL LEVER



- To move forward, push the control lever against the handlebar.
- To stop, release the control lever.

• BLADE CLUTCH CONTROL LEVER



START

- 1 - Press the upper safety lever against to the handlebar.
- 2 - Push the button and move the blade clutch control lever forward to engage the blade.

STOP

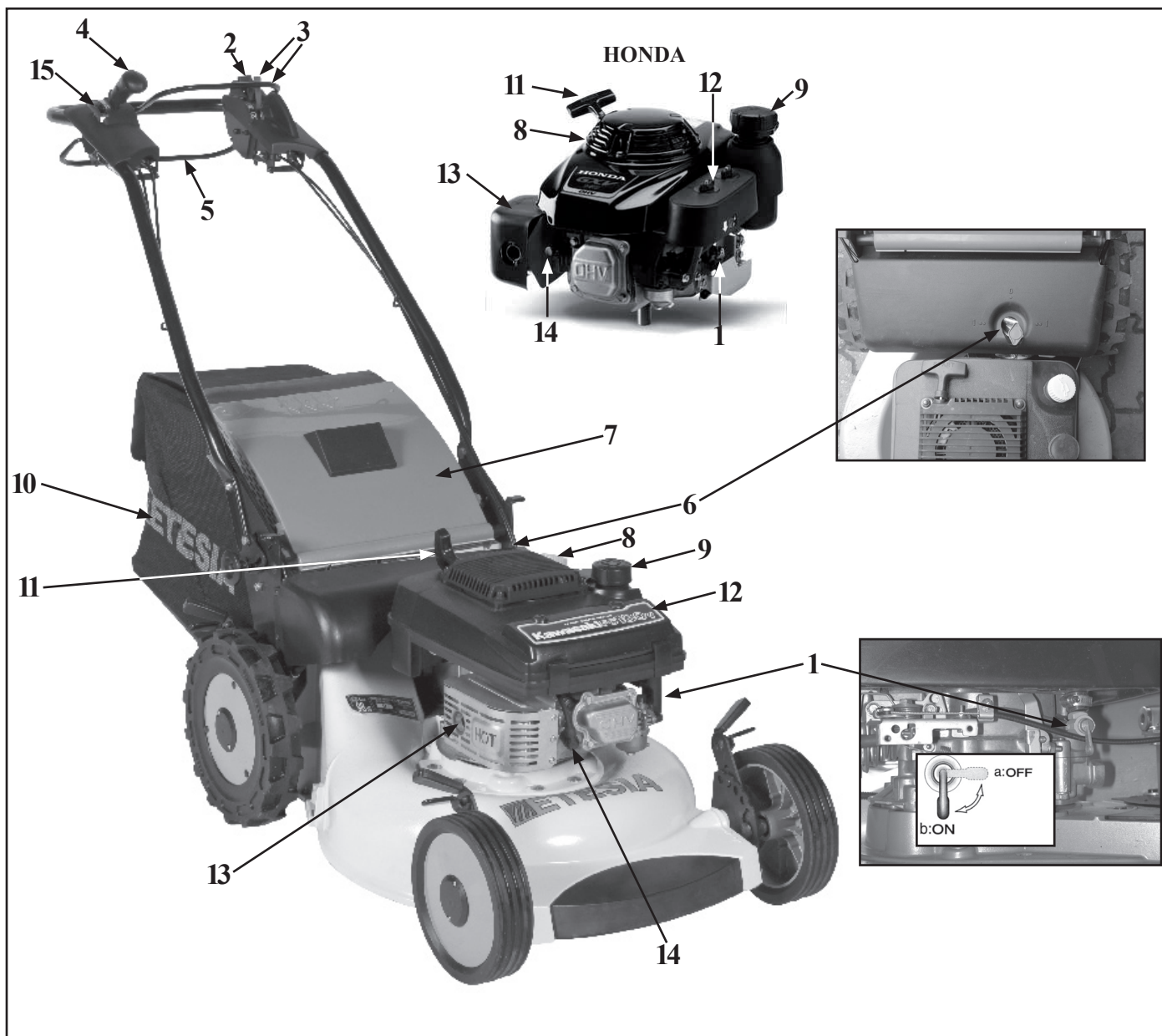
- Release the safety lever to stop blade rotation. The blade will be automatically braked and stopped.

• DIFFERENTIAL LOCK (LXX)



- Set the differential lock control lever to position [1].
- Bring the differential lock control lever back to position [0] to return to the active differential configuration and gain in handling capability.

3• DESCRIPTION

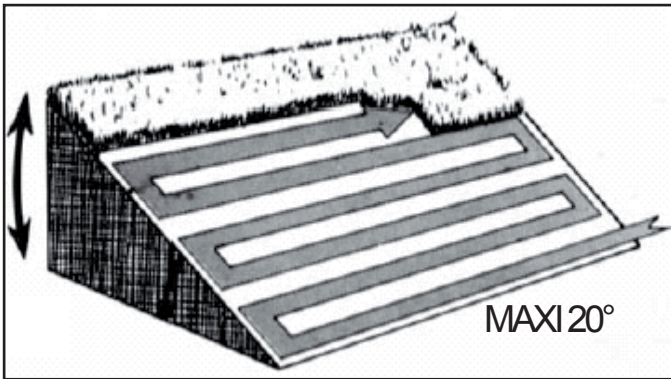


- 1. Fuel tap
- 2. Throttle control lever
- 3. Double safety lever for blade clutch
- 4. Speed control lever / reverse control level
- 5. Drive control lever
- 6. By-pass valve control lever
- 7. Deflector
- 8. Gauge / Oil filler tube
- 9. Fuel tank cap
- 10. Grassbox
- 11. Starter
- 12. Air filter
- 13. Muffler
- 14. Spark plug
- 15. Differential lock control (LXX)

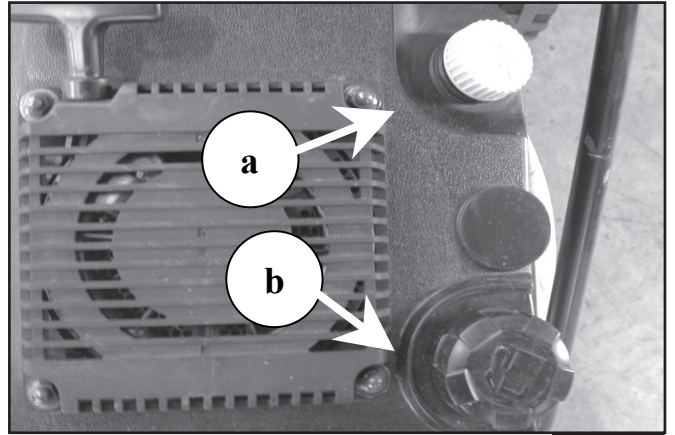
SPARE PARTS :

Grassbox : RU53E
 Blade : TZ53N
 Spark plug : 3861
 Fuel preservation : 26769

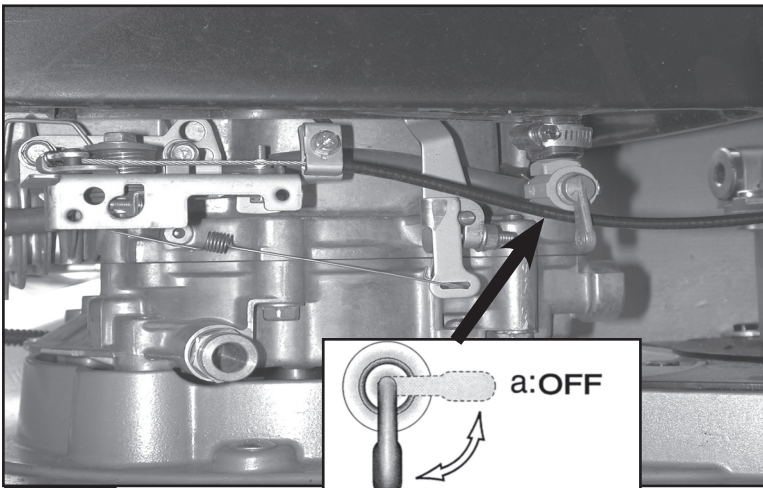
4• PICTURES



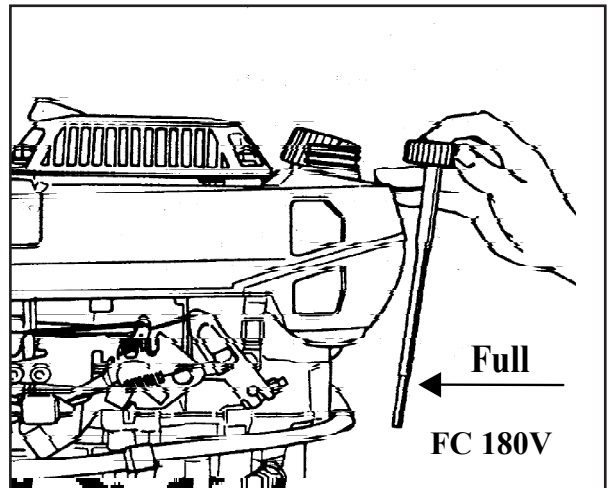
1



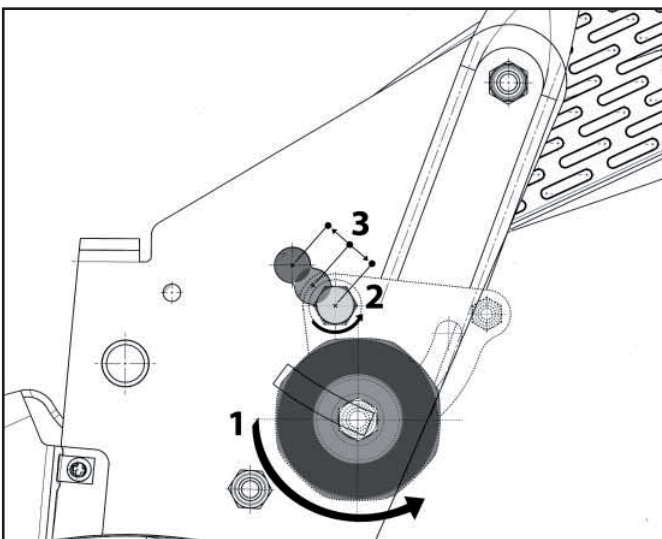
2



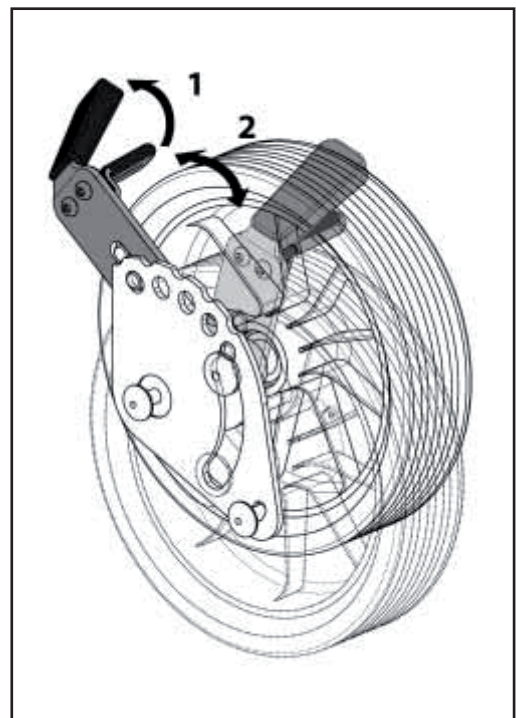
3



4



5

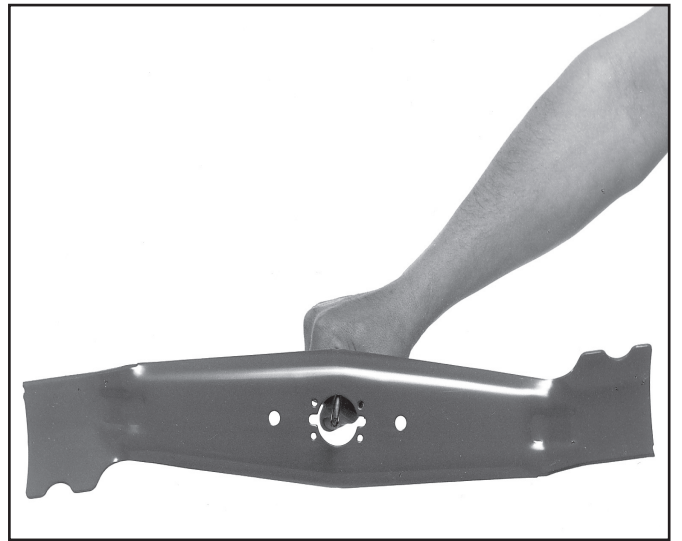


6

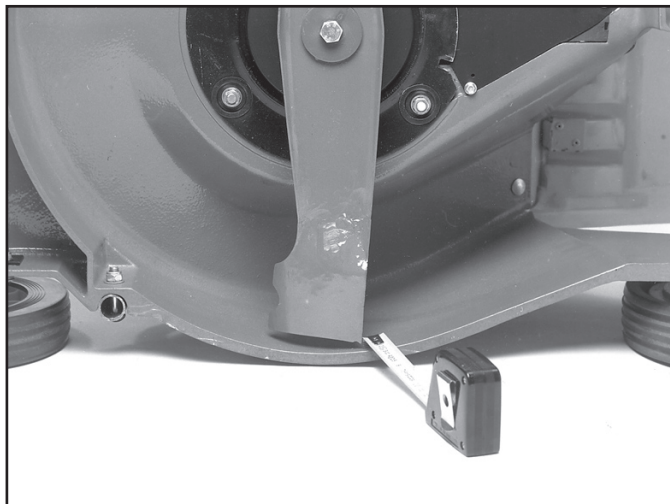
4• PICTURES



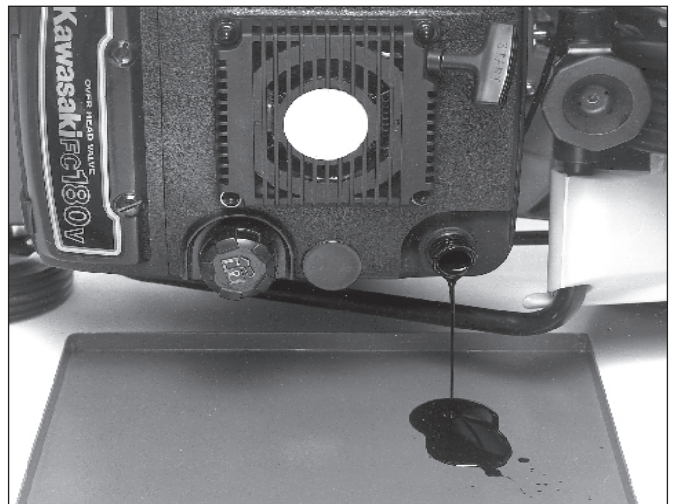
7



8

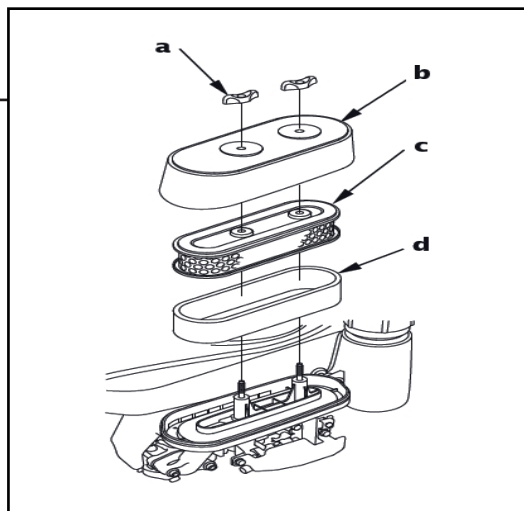
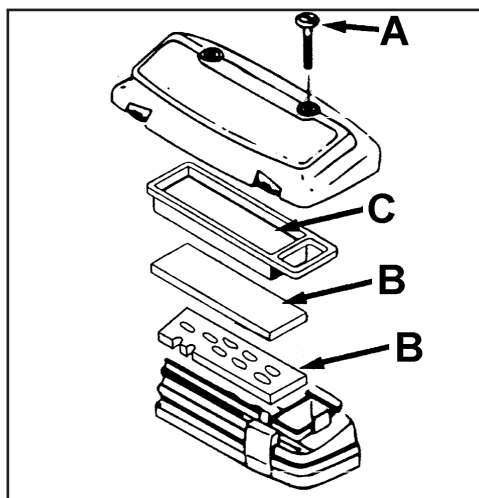


9



10

Kawasaki



11

Honda

5• TECHNICAL SPECIFICATIONS

	LKX	LH
Version	Self propelled with hydraulic transmission and blade disengagement system	Self propelled with hydraulic transmission and blade disengagement system
	With differential lock	Without differential lock
Engine	KAWASAKI FC 180 V 4 stroke OHV	HONDA GXV 160 4 stroke OHV
Piston displacement	182 cm ³	163 cm ³
Running	50 mm	45 mm
Bore	68 mm	68 mm
Maximum power measured at the shaft output	6 HP / 4,4 kW at 3600 rpm/min	4.3 HP / 3,2 kW at 3600 rpm/min
Maximum use rate	2800 min ⁻¹	2800 min ⁻¹
Engine oil	SAE 30 or SAE 10W30 (0,65l)	SAE 30 or SAE 10W30 (0,65l)
Starter	Recoil	Recoil
Decompression device	Mechanical	Mechanical
Regulator	Mechanical	Mechanical
Tank capacity	2,5 l	1,8 l
Fuel	Unleaded fuel	Unleaded fuel
Carburettor	Float type, fixed main jet	Float type, fixed main jet
Cooling	Air cooled	Air cooled
Air filter	Paper cartridge and pre-filter	Paper cartridge and pre-filter
Ignition	Electronic	Electronic
Spark plug	Resistive - Standard Ø 14 mm x 19 mm - ref : 3861	Resistive - Standard Ø 14 mm x 19 mm ref : 3861
Electrode gap	0,75 mm	0,75 mm
Blade coupling device	Belt	Belt
Blade stop	Blade clutch	Blade clutch
Blade	ETESIA reference TZ53N	ETESIA reference TZ53N
Cutting width	53 cm	53 cm
Cutting height	To set on each wheel 25, 40, 55, 70, 85 mm	To set on each wheel 25, 40, 55, 70, 85 mm
Dimensions (LxHxh) Handlebar folded : Handlebar in working position :	1040 mm x 575 mm x 710 mm 1700 x 575 x 1070 mm	1040 mm x 575 mm x 710 mm 1700 x 575 x 1070 mm
Wheel diameter / Wheel width	Front Ø 225 mm / 55 mm Rear Ø 310 mm / 55 mm	Front Ø 225 mm / 55 mm Rear Ø 310 mm / 55 mm
Approximate weight	76 kg	75 kg
Bag capacity	85 l	85 l
Speed	Forward 1 : 0 to 3,0 Km/h Forward 2 : 0 to 4,0 Km/h Forward 3 : 0 to 5,5 Km/h Reverse 1 : 0 to 4,0 Km/h	Forward 1 : 0 to 3,0 Km/h Forward 2 : 0 to 4,0 Km/h Forward 3 : 0 to 5,5 Km/h Reverse 1 : 0 to 4,0 Km/h
Noise level at control position*	86 dB(A)	84 dB(A)
Vibration levels at the handle **	3,4 m/s ²	4 m/s ²

* Reference standard for measurements = EN 836

** Reference standard for measurements = EN 836, EN 1033

6• PREPARATION AND GETTING STARTED

HANDLEBAR ADJUSTMENT

- Bring the handlebars back to the working position.
- Swing the locks to abut against the handlebars and tighten the nut-knobs.

The handlebar can be adjusted in 3 positions.

- Unscrew the nut-bolts (see item 1 picture 5, page 8) and clear the nuts from the handlebar.
- Hold the top of the handlebar and swivel it towards the front of the mower.
- Using two 13 mm spanners, loosen the 2 swivel bolts (see item 3 picture 5, page 8) of handlebar retaining triangles and move them into the desired position (3 positions are possible), then tighten them again.
- Bring the handlebar in its new retained position against the handlebar.
- Tighten the nut-bolts.

ENGINE PREPARATION



CAUTION! Petrol is highly inflammable.

- Do not smoke while filling with petrol. The tank should always be filled with the engine switched off.
- Never remove the fuel tank cap while the engine is running.
- If petrol has been spread, do not try to start the motor. Take the machine away from the spoiled area and make sure there is no form of ignition as long as the petrol vapour is not dispersed.
- Put the fuel tank cap and the fuel can properly.
- Avoid fuel overflow while filling the fuel tank. In spite of these precautions should it happen, please :
 - a) Clean, as good as you can, all the contaminated parts.
 - b) Don't start the machine as long as you're not sure that all the spread fuel has been eliminated.



Petrol is highly flammable.
Do not smoke while filling with petrol or oil.



Never add oil to the petrol! Adding a fuel saver marketed under number 26769 will keep your fuel good for up to 6 months.

BEFORE TO START THE ENGINE

ENGINE OIL

- To enable transport make sure, the casing of your mower does not contain oil. Never run the motor without oil, even for brief periods.



Before starting the engine, fill it up with oil. Use excellent oil quality (duty class SD to SG and viscosity SAE 30 or 10W30).

- Place the mower on a horizontal and unencumbered area.
- Unscrew the gauge (see item a picture 2, page 8) and slowly put oil.
- Oil capacity: 0,65 l.
- Insert the dipstick in the filler tube and bring the cap to bear without screwing it down.
- Take off the gauge and check the oil level. The oil must reach the [FULL] mark (see picture 4, page 8). Top up if necessary.
- In the event of excess oil, remove the surplus by laying the mower on its side. Do not fill the oil sump beyond the [FULL] mark on the dipstick.
- When the oil level is good, screw the cap again.
- Screw the filler neck cap firmly before starting the engine.
- Fill-up with unleaded fuel. To fill the tank unscrew the cap (see item b picture 2, page 8).
Use only 'fresh' fuel.

- Only buy the quantity of fuel you can use within 1 month and keep it in a clean tank designed specifically for the purpose.
- The tank capacity is 1,8 l for the LH model and 2,5 l for the LKX model. Avoid spilling petrol and overfilling the tank to prevent overflowing: leave approximately 1,5 cm space under the filler collar to allow the fuel to expand.

STARTING AND STOPPING THE ENGINE



Before use, always make a visual check to ensure that the blade, attaching screws and coupling are not worn or damaged. Also check that the handlebar is locked and that the nut-bolts are tight on the lower attachment.

- Before starting the engine, always check the oil level. Remove the dipstick and clean it and the perimeter of the filler pipe with a clean cloth. Insert the dipstick in the pipe and bring the plug to bear without screwing it down. Remove the dipstick and check the level. Top up the oil level if it does not reach the [FULL] mark then top up with fuel to avoid having to add petrol during work when the engine is hot.
- Make sure that the blade is well mounted and tightened.
- Always fill in the fuel tank outdoors, and do not smoke during the operation.
- Never leave the engine in a closed room in which carbon monoxide, a dangerous substance, could build up.
- Start the mower on a clear area. Never tilt it, either to start or when the blade is rotating.
- Make sure that the blade brake clutch and drive control levers are not operated.

STARTING THE ENGINE

- Open the fuel tap (see picture 3 page 8).
- Place the throttle lever on position [N] (the choke valve will shut automatically).
- Stand on the right of the handlebar, behind the mower.
- Slowly pull the starter unit handle until you feel the compression.
- Return to first position before pulling vigorously to start the engine. Hold on and follow the starter handle back to first position.
- When the engine has started, put the throttle lever on [MAXI] position.



The oil gauge has to be fully screwed when the engine is running. Never remove the petrol cap or add petrol while the engine is running or when it is hot.

STARTING A ENGINE WHICH HAS BEEN RUNNING ALREADY



Do not use the choke to restart an engine which has just been running (hot engine).

STOPPING THE ENGINE

- Pull the throttle lever gently to [STOP] position.
- Close the petrol tap.



Do not change the original settings of the engine and do not let the engine race. In the event of maladjustment, contact your ETESIA dealership.

7• OPERATING INSTRUCTIONS

CUTTING HEIGHT ADJUSTMENT



Proceed only after engine has been switched off and blade has come to a complete standstill.

- Hold the adjustment lever firmly, tighten the lever to ensure unlocking, swing the lever towards the required position (5 positions available), then slacken the action on the lever to allow the locking of the lever (see picture 6 page 8).



On normal use the 4 wheels must be adjusted to the same height. However, the separate adjustment of each wheel makes it possible to adapt the cut to a possible unevenness, for example between the grass and an alley downwards, while preserving a perfectly horizontal shearing.

MOWING



Wear strong shoes and trousers. Remove all objects such as stones, wood, iron, string, bones, plastic, etc... from the lawn.



Never put your hand or foot under the mower while the engine is running. Keep hearing protection.

BLADE BRAKE CLUTCH

- This safety device controls the blade rotation of your self propelled mower. The machine drive can also be used apart from blade rotation, specially when taking the machine outside the cutting area and the motor can be left operating while the collector bin is being emptied.

USE



Before you engage the blade, make sure that the engine is warm enough and that it's running at the maximum run.

- Place behind the handlebar in working position and maintain your feet away from the cutting blade.
- Press the upper safety lever (red) against to the handlebar.
- Push the button and move the blade clutch control lever forward to engage the blade. The blade will remain engaged after the control lever has been released as long as the safety lever is kept pressed against the handlebar.



Don't engage the blade when it's in contact with long noncut grass as it could cause difficulties to start.

BLADE STOP

- Release the safety lever to stop blade rotation. The blade will be automatically braked and stopped within 3 seconds.



Release the safety lever to check if the blade stops immediately.

SPEED CONTROL LEVER

FORWARD AND BACKWARD LEVER

- The hydraulic transmission enables the drive to be adapted to all cutting conditions through progressive speed variation controlled by the control lever.
- Select the position 1 for a slow speed and a superior position (position 2 or 3) for a high speed. If the conditions of use allow it: dry grass, neither too high nor too dense, flat ground or displacement of the mower with the blade stopped. It's the observation of your lawn which will guide you, choosing the optimal speed.

Speed adjustment

- Select your speed and lock it in the position (1, 2 or 3).

DRIVE CONTROL

To move

- Act on the control lever. The speed is at maximum when the control lever is closed to the handlebar.
- To stop position, release the lever.

Go reverse

- To go reverse, release the control lever, press the speed selector to unlock the thrust and pull it back. The drive is maximum when the control lever is applied against the handlebar.
- To stop, release the speed lever. It will lock automatically in the first position. You can then directly go forward by actionning the control lever.



Be particularly careful when you use the reverse gear: disengage the blade, and do not let yourself be surprised by the machines movement.

Differential lock control (model LKX)

The differential can be locked to prevent the driving wheels from spinning and gain driving force on sloping ground or wet grass.

- Set the differential lock control lever to position [1].
- Bring the differential lock control lever back to position [0] to return to the active differential configuration and gain in handling capability.

Displacement of the lawnmower engine stopped

- Turn the control valve of by-pass to put it on open position [0].
- Do not forget to switch the valve off (position [1]), to be able to use the transmission of the lawnmower.

CONTROL OF THE MOWER

MOWING

- Place the throttle control lever on [MAX] position.
- Engage the blade (double safety control).
- Engage the drive control lever.



Never touch the blade when it is rotating. Take special care when changing directions on slopes. Never mow up or down the slope, always mow across (see picture 1 page 8). Always keep a safe distance away from the lawnmower cutting deck.



Stop the engine and disconnect the spark plug before removing any jams, or clear the cutting deck volute.

- If you can not stop the engine with the main control, turn off the petrol cock (this will stop the engine to within 3 minutes).

MOWING WITH THE GRASSBOX



Cut preferably when grass is dry. If the grass is very high, cut it in two times : cut the first time in the maximum position to not overload the lawnmower, select the right cutting height for the last cut.

MAINTENANCE OF THE CUTTING UNIT (BLADES)



Before any use, please check that the blade, its fixation and the cutting assembly are not used or damaged. A blade deformed or showing excessive wear (chipping on the blade edges) must be replaced.

7• OPERATING INSTRUCTIONS

- Any shock against an obstacle or any not normal wear can lead to deterioration of the bearing or eventually, damage the engine completely. In this case, warranties will not be accepted. Should you have an unbalanced blade, do not hesitate to change it.
- Ensure yourself regularly that the blade is balanced properly (see [picture 8, page 9](#)).

CHANGING THE BLADE

- After a shock the blade has to be changed automatically.
- In fact, otherwise, the micro cracks created by a shock could lead to future blade breaking if the blade is not replaced.



Use a pair of thick gloves in order to avoid hurting yourself while handling the blade, since the cutting edge is very sharp.

- Disconnect the spark top and unscrew the blade bold.
- Replace the blade, fitting sense: flyer towards the engine.
- Use exclusively ETESIA original blades designed for this mower (part number TZ53N).



Check that the two cutting points are turning on the same plan.

- Reassure the distance between blade extremity and the inferior limit of the frame skirt. This distance has to remain identical when you pass the blade on the other extremity of the measuring point (see [picture 9, page 9](#)) and must not be less than 3 mm.
- The motor shaft drives the belt thanks to a blade brake clutch.

In case of violent shock : please ask your ETESIA dealer to check the blade fixation.



Check regularly the clutch brake skid of the blade brake and the belt tension.

GRASSBOX FITTING

- Remove the insert from the crankcase.
- Raise the deflector and hang the grassbox frame in the 2 hooks located on the back face of the mower. Then fit the safety scuttle/ deflected to the grass box.
- When cutting with the grassbox, get used to notice when it is full, the floating of its anti-dust cover will help you. Stop before grass starts to accumulate under the chassis.

EMPTYING THE GRASSBOX

- Stop the blade clutch and await its complete stop.
- Raise the deflector and take the grassbox by its handle.
- Empty the grassbox by the frontal opening.

MOWING WITH REAR EJECTION

For the occasional mowing of long grass, you can use your mower without grassbox.



The deflector is designed to protect you. It automatically repositions itself afterwards. So only lift when you need to remove the grassbox. Do not use the lawnmower if the shield / deflector is not in place. Do not remove it if for any reason whatsoever.

Advice: after initially changing to the high position, you can reinstall the housing insert (mulching configuration) and finish off mowing by a second run at the required cutting height.

MOWING WITH HOUSING INSERT (MULCHING CONFIGURATION)

- Install the housing insert : engage its extremity in the opening situated at the back of the crankcase and drive in strongly its maintaining clip on the provided spot on crankcase skirt (see [picture, 7 page 9](#)).
- Always adapt the cutting height to the height and density of the lawn to be mowed and to the weather.
- Look carefully at the mown surface : it should be free of cut grass lying on the surface. If there is grass visible on the surface, you need to raise the cutting height until you obtain the result required.



If you need to tilt your lawnmower for maintenance and inspection make sure that you lay it on its side so that the carburettor is facing upwards.

8• MAINTENANCE



Disconnect the spark plug cap before any maintenance and shut the petrol cock.

The best maintenance is above all the regular cleaning of your mower after each use (frame, wheels, transmission system...).

CLEANING

- Never use a hot water washer.
- After stopping the engine and allowing it to cool, unhook the grass bag and lay the mower on the right hand side so that the carburettor is uppermost.
- Clean the lawnmower particularly the inside of the cutting deck. Remove all debris of cut grass, preferably using a scraper and a brush.
- Never use a high pressure washer on the transmission parts or engine.
- If you are using a water jet, and particularly when using a high pressure washer, take care not to splash water on engine and transmission elements such as the carburettor, air filter, ignition, exhaust.
- After cleaning, it is recommended that the engine be started and transmission used to disperse any excess water.
- Put the blade on several times to dry the braking parts.

ENGINE MAINTENANCE



Before any maintenance operation and in order to avoid any risk in case of accidental start of the mower, take out the plug top and empty the engine outside.

ENGINE EMPTYING

- The first emptying has to be done after the 5 first working hours. These hours have to be considered like a burn in period during the one you have to run the engine carefully.
- Next emptying has to be done every 50 hours or once a year. If the mower is used in hard conditions (high temperatures and loads), change the oil more often.



Be careful with used hot oil.

EMPTYING METHOD

- Cut off the fuel tap and start the engine until the carburettor tank becomes empty.
- As long as engine is hot, do the emptying through the filling hole. The flowing out will be easier if this operation is done after cooling.
- Remove the oil cap and lay the mower on the side (see picture 10, page 9).
- Take the used oil back in a receptacle at the filling tube exit.

Remove the used oil in an approved recuperation station.

- Put the mower back on its wheels, clean carefully the oil gauge and the tube contour and complete with oil (cf chapter 'engine preparation' page 11).

SPARK

- Clean periodically the electrode and check their spacing with a (0.7 to 0.8 mm) block. Do not hesitate to replace used spark. Replace the spark every 100 hours. Use only ETESIA original spark plugs designed for these engines (part number 3861).

AIR FILTER CARTRIDGE + FOAM PRE FILTER (PICTURE 11 PAGE 9)

It is inevitable that impurities will get into the air filter. Maintain the engine filter regularly: every 25 working hours. In case of use in dust atmosphere, the number of cleaning has to be increased.

- Unscrew the screws [a] and take out the top [b].
- Clean carefully the top. Take out, carefully, the paper cartridge [c] and pre filter elements [d]. Replace them as soon as they are damaged.
- Clean the pre filter elements with liquid detergent and clear water and dry them completely.
- Oil the pre filter elements and press them in your hand to eliminate all the surplus.
- Clean the paper cartridge by taping it gently on a flap surface or replace it in case of necessity.



Do not use any solvent, fuel or pressed air to clean the air filter. Do not oil the paper cartridge.

- Reassemble the filter components [d] and [c], reinstall the cover [b] and screw down the screws or nuts [a].

CARBURETTOR AND COOLING SYSTEM

- Take out regularly the grass remains around the starter.
- Clean the aeration grid and the engine contour from accumulated grass. You then ensure the efficient cooling of the engine.
- Make sure the carburettor rod is perfectly clean.

LONG DISTANCE CONTROL ADJUSTMENT

IMPORTANT: Check regularly the correct adjustment of the clutch cables (forward and reverse), the blade clutch, the differential lock and the gas control.

Eventual adjustments can eventually be done by moving the case stop located under the handlebar control plate (excluding the one on the differential lock cable).

- Place the control element as indicated.
- Unscrew the nut and leave the case stop slide in the appropriate sense to catch up the cable loose, rescrew smoothly the nut and mark position of the case stop.
- Unscrew again the new nut and loose the stop as indicated and screw again definitely.

Reverse control cable (right stop, exterior side) - speed selector in position [1], remove of 8 mm.

Control cable of the forward drive (right stop, interior side) - speed selector in position [1], remove of 7 mm.

Blade clutch control cable (left stop, exterior side) - blade brake control lever in loose position : remove of 2 mm.

Differential lock control cable (bolt and locknut on the output of the box) - the box output control stem should move 9 mm when the differential lock control lever is moved into position [1]. To check the adjustment, remove the transmission cover (4 screws). To adjust, loosen the locknut, screw the bolt onto the control stem (1 turn = 1.25 mm) to reach the indicated displacement value then tighten the locknut again and install the transmission cover.

Gas control cable (left stop, interior side) - control lever position [N]. Move the stop to tension completely the cable and bring the control on the engine side limit of travel (butterfly valve starter in off position) and screw in this position.

8• MAINTENANCE

CHECK SAFETY DISPOSITION

- Check regularly that the safety deflector and the grass bag buckler are working properly. If you notice any deterioration, replace them.
- Ensure you about the good functioning of the safety control, give a little bit of loose to the blade clutch lever to check the immediate stop of the blade.



If you notice something not working properly, contact your ETESIA dealer as soon a possible.

HYDRAULIC TRANSMISSION

- Ask your ETESIA dealer to do hydraulic maintenance.

TRANSPORT



Should the machine need to be lifted or transported, stop the engine. Allow to cool for at least 15 minutes before loading the mower into a vehicle. To avoid any trouble, disconnect the spark top.

Do never deliver the mower with fuel in the tank or with the fuel tap open. The mower must be kept horizontal during transport to prevent any oil or petrol from flowing out.

It is advisable to use a loading ramp or have somebody help you load and unload the mower.

STORAGE : RAPID FOLDING OF HANDLEBAR

To reduce the space taken up by the mower during transport or for storage purposes, the handlebar can be rapidly folded towards the front by carrying out the following operations in this order :

- Unscrew the 2 buttons and pivot the hook to leave the handle free.
- Fold the handlebar towards the front helping the movement.

9• LONG STOP - WINTER STORAGE

- Start by cleaning carefully the mower particularly under the cutting deck.
- To avoid rubber sediment, empty completely the fuel from the tank and, open the fuel tap and empty the fuel in the carburettor tank by unscrewing the emptying screw or by leaving the engine running until it becomes empty.



The tank emptying has to be done outdoor. Don't smoke.

- Disconnect the spark top.
- Engine hot, empty the oil frame. Fill with new oil until you reach [FULL] indication.
- Proceed to the cleaning of the air filter.
- Remove the spark and oil the cylinder with a spoon of oil. Pull the starter several times to distribute the oil and protect the cylinder and valves from corrosion. Put the spark plug back.
- To prevent rust from forming, close the engine valves by pulling gently on the starter handle until you feel some compression.
- Before you put the machine back into place, cool the machine then drive it in a dry place on shelf or a sheet of metal.
- Set the differential lock control lever (LKX) to position [0].



To reduce the risk of fire, store the machine in place free of grass, leaves and grease and far from any ignition spark.

TO PUT IT BACK TO SERVICE

- Unscrew the spark and clean it with fuel. Allow to dry without replacing it.
- Pull energetically many times the starter to eliminate oil excess from the cylinder.
- Refit the spark.
- Check the oil level and tank with unloaded fuel.
- You are now ready to start the engine.

This seasonal maintenance can of course be done by your ETESIA dealer.

10• STANDARD REPAIRS – BREAKDOWNS AND SOLUTIONS

Most operating problems are due to wrong handling and using, poor use of the lawnmower or the lack of normal recommended maintenance. Should breakdown remain, please contact your ETESIA dealer.



Before doing anything, disconnect the spark plug cap and close the fuel valve.

PROBLEM	ORIGIN	SOLUTION
Machine does not want to start	Lack of fuel	Fill the tank and open the fuel tap
	Spark is full of dust or defective	Clean and replace the spark
	Too much fuel (the motor has flooded)	Remove the spark and dry the engine by pulling the starter
	Air filter needs cleaning	Clean or replace the filter
Irregular operation, strong vibration	Blade balance	Balance or replace it
	Cutting blade loose	Tighten the attaching screws
Bad cutting, grassbox does not fill itself correctly	Blunt blade	Sharpened or replace the blade
	Blade does not turn on an horizontal plan	Replace the blade
	Cutting height is too low	Lift it slightly
	Too quick drive	Drive more slowly
	Engine run is too low	Put the gas lever on [MAXI] position
Grass remains	Height adjustment too low	Lift the cutting height
	Cutting deck clogged with grass and and earth remains	Clean the deck
Blade clutch not working properly	Long distance control trouble	Adjust the cable tension
Reduce forward speed slot	Long distance control trouble	Adjust control cables
Does not rest on disengaged position	Dead point stop needs adjustment	Ask your ETESIA dealer to adjust the dead point

IMPORTANT : Only use ETESIA parts as replacements. The quality of the work, the life of the lawnmower and your safety depend on it. In addition to risks incurred by the user, the use of parts other than the manufacturer's will result in the cancellation of the warranty for any damage caused. ETESIA refuse to accept responsibility for accidents due to the use of parts not coming from the manufacturer.

11• REGULAR MAINTENANCE SUMMARY

Page	Element	Before each cutting	After the 5 first hours	Every 50 h or each season	Periodically	Observation
11	Engine oil	Check the level and adjust	Empty the frame	Empty the frame (*)		Necessary to be able to claim for warranty
14	Air filter			Replace the cartridge	Clean every 25 hours	
14	Spark			Clean - adjust the electrodes	Replace if used too much	Replace every 100 hours
14	Cooling system	Cleaning around the muffler			Check and clean	
15	Hydraulic oil		Complete and clean the magnetical plug	Complete and clean the magnetical plug		See your ETESIA dealer

(*) Every 25 hours if the mower is used under tough conditions (dust, heat, heavy loads).

12• WARRANTY

DEFINITIONS

- Dealer, importer = distributor linked to ETESIA by an agreement (dealership or importer contract). The dealer and the importer are in charge of selling and servicing ETESIA machines.
- User, buyer = physical or moral person, company, collectivity or association having bought legally a machine new or second hand from a dealer.
- Domestic use = use of a machine on a private ground. Machine is owned by the user and just use to clear its private piece of ground (main or secondary residence).
- Professional use = use of an ETESIA machine, in exchange of money or not, on public areas to maintain companies or institutions like : hospitals, associations,....or on private fields being owned by a third person.
- **The user completes the warranty card indicating the type of use for every machine. This declaration engages its responsibility and defines the legal warranty period.**
- Should ETESIA discover that the machine is not used in the use initially declared, ETESIA allows itself to cancel the warranty.
- Wear parts/Consumable parts = parts needing to be changed inevitably to enable an optimal normal use of the machine.
- Normal use = use of the machine according to all instructions mentioned in the instruction book (including safety and maintenance).

GENERAL WARRANTY CONDITIONS

- In addition to the legal warranty, ETESIA offers a contractual warranty.
The ETESIA warranty concerns the exchange of parts free of charge in case of material, production or conception fault. This warranty applies on the product as he leave ETESIA production line.
- The delivery company is the only responsible in case of transport damage. It is however the addresse responsibility when damages occurs during transport to mention reserves on the delivery note when receiving the goods and to inform ETESIA within 48H by registered letter.
- The instruction book delivered with every machine contents all information regarding machines use.
Any different use from the one described in the instruction book can be dangerous for the user and reduce machine life. In such cases, ETESIA can not be held responsible.

CONTRACTUAL WARRANTY

- The ETESIA contractual warranty is allowed for one year in professional use and for 3 years on domestic use (warranty period starting the first day when the machine is purchased by the user).
This warranty is just valid if :
 - 1) Instructions from the instructions book have been respected.
 - 2) **The warranty card has been returned to ETESIA immediately after the machine purchase or completed on the extranet site.**
 - 3) **A revision is recommended after periods indicated in the instruction book.**
 - 4) To require a repair under warranty claim, the buyer will contact first the ETESIA dealer. Should it not be possible, he could contact ETESIA who would propose an alternative solution.
 - 5) Just repairs done in ETESIA dealers workshops can be taken under warranty.
 - 6) Any material, production or conception fault recognized by ETESIA as such will be eligible to warranty (parts and labour). It will therefore be paid back to the dealer according to charge scale mentioned in the agreement. It is dealer responsibility to make sure that the end user does receive the complete warranty allowed by ETESIA. Should ETESIA not recognize any fault, the dealer

will be held responsible. ETESIA reserves the right to cancel the decision with no compensation or warning.

- Transportation cost for machines and parts are at user cost.
- 7) Any intervention done within warranty time, in particular in case of parts exchange, will not give right to any new warranty period.
 - 8) In case of parts exchange under warranty, ETESIA reserves the right to use either new or second hand parts. Parts given free of charge by ETESIA can required at any time by ETESIA.
They need to be sent back on simple request. Should ETESIA not receive these parts, warranty claim would automatically be cancelled.
 - 9) This warranty however does not cover parts damaged during a repair action, machines not having been serviced according to the repair schedule mentioned in the instruction book or parts with normal wear.
Please find a list (not complete) of wearing parts: spark plugs, filters, exhaust, seals, membranes, blades, blade coupling parts, belts, clutches, batteries, battery electrolytes, control cables, sheath, fuel pipes, durits, cooling liquid, hydraulic and lubrication liquids, fuel, seat, bonnets, grassbox material, grassbox frame, mudguards, pedal covers, running board cover, anti scalp kit, roll axle.
 - 10) Warranty right is cancelled in the following cases :
 - damages due to non respect of safety, maintenance use and storage instructions.ETESIA will not be held responsible, legally in particular, for damages resulting from other uses than the ones described in the instruction book.
 - Damages due to accident or collision
 - Damages due to a modification of the original machine or use of non original spare parts
 - Damages on machines not having been maintained by the ETESIA dealer network.
 - 11) In case of owner change, the outstanding warranty period can be transferred to the new owner. However to enable this transfer a written request need to be sent to ETESIA after sales department. This request needs to attest as well that the new end user has received the instruction book for the machine as well as the warranty terms.
 - 12) ETESIA keeps the right to check that preliminary conditions for warranty have been respected by the buyer.
 - 13) When warranty application is requested, ETESIA does deliver the parts as soon as possible. However an immediate delivery can not be requested. A delay in delivery would in no case give right to compensation or to warranty extension.
 - 14) Any additional claims to ETESIA is excluded.
 - 15) Any breakdown suspected as being a fault subject to warranty has to be brought to attention to an ETESIA dealer. The ETESIA dealer is in fact the only contact able to submit a warranty claim to ETESIA.
Should a dispute occur the competent tribunal is the one mentioned in the ETESIA dealership.

IMPORTANT NOTE:

As soon as a machine purchase takes place, the warranty card needs to be:

- completed, signed and sent back to

**ETESIA WARRANTY SERVICE
67165 WISSEMBOURG CEDEX** or

- completed on line on the extranet.

EC DECLARATION OF CONFORMITY

In accordance with Directive 2006/42/EC

We,



13, Rue de l'Industrie, 67165 WISSEMBOURG CEDEX

declare under our responsibility that the petrol lawnmower, type PRO53, reference LKX and LH, to which this declaration refers, fulfil all the relevant terms of directive 2006/42/EC applicable to them as well as to the provisions of all other applicable European directives :

- 2004/108/EC
- 2000/14/EC

Electromagnetic compatibility
Sound emissions in the environment by equipment intended for use outside buildings

And guarantee that petrol lawnmower, type PRO53, reference LKX and LH, meet the requirements of Directive 2000/14/EC regarding noise emissions in the environment, and are subject to the internal production control procedure, with evaluation of the technical documents and periodic inspection by a notified body, the CETIM, F-60304 SENLIS CEDEX.

- Average acoustic power level measured : 98 dB(A)
- Acoustic power level guaranteed : 98 dB(A)

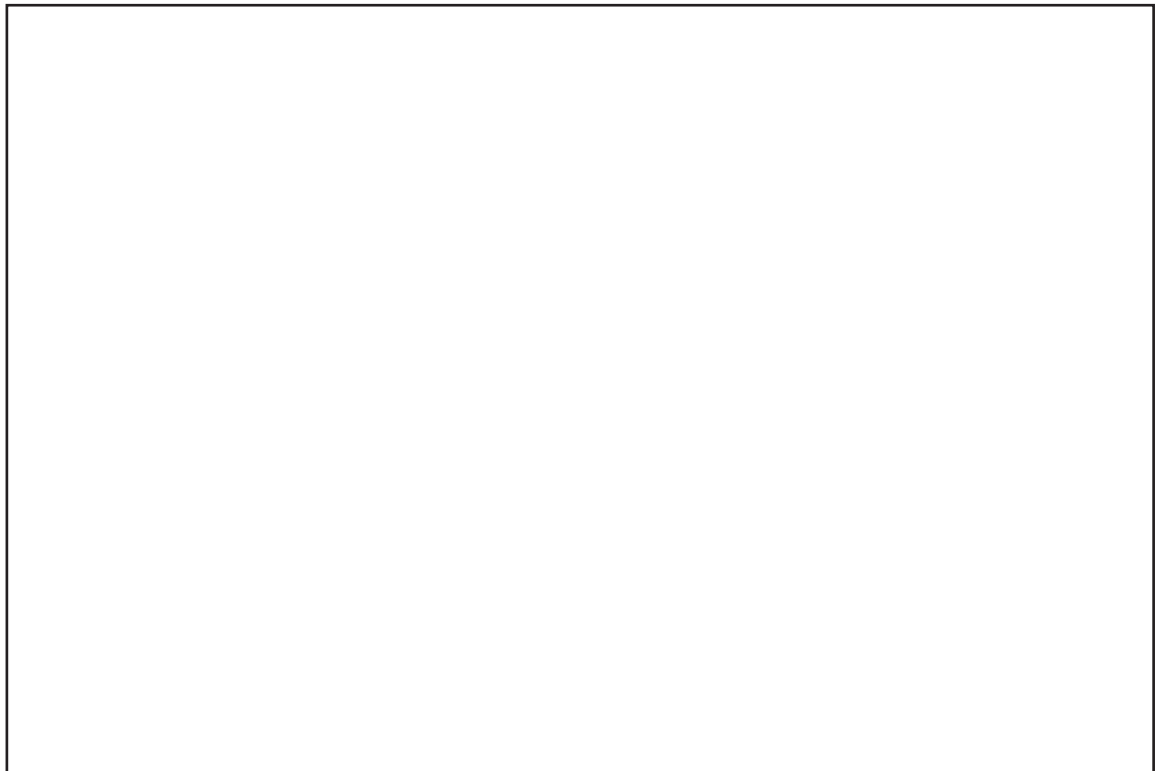
Mr Treger Claude

13, rue de l'industrie 67165 Wissembourg CEDEX

is the person authorized to constitute the technical file :

Assessment of conformity in-house inspection of machine manufacture according to Annex VIII of directive 2006/42/EC.

Model :
Serial number:



Done in Wissembourg, the 03/04/2013

Mr. Patrick VIVES

A handwritten signature in black ink, appearing to read 'Patrick Vives', written over a horizontal line.

The President

i2- Due to their permanent improvement policy, ETESIA reserves the right to modify specifications, text and pictures without prior notice.

ETESIA SAS - F - 67165 WISSEMBOURG CEDEX -
Strasbourg Trade & Commerce Register B343 510 996

Stamp
here
please

ETESIA

SERVICE GARANTIE

13 rue de l'Industrie
67165 WISSEMBOURG CEDEX
France



