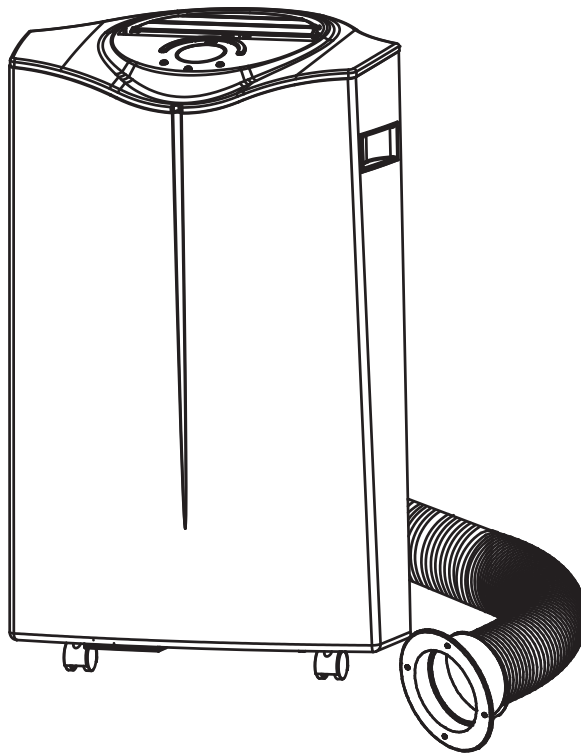




PLEASE READ AND SAVE THESE INSTRUCTIONS

NewAir AC-14000E, AC-14000H
Portable Air Conditioner
Owner's Manual



BEFORE USE

GENERAL SAFETY INSTRUCTIONS:

- ALWAYS OPERATE THE UNIT IN AN UPRIGHT POSITION AND PLACE IT ON A FLAT, LEVEL SURFACE AT LEAST 14" (36 CM) FROM ANY OBJECTS OR COMBUSTIBLE SURFACES (FIG 1 & 4).
- DO NOT PLACE OBJECTS ON THE UNIT, AND DO NOT COVER OR OBSTRUCT THE INLET OR OUTLET GRILLS (FIG 2).
- CLOSELY SUPERVISE ANY CHILDREN AND PETS WHEN THE UNIT IS IN USE.
- THIS APPLIANCE IS NOT INTENDED FOR USE BY PERSONS (INCLUDING CHILDREN) WITH REDUCED PHYSICAL, SENSORY OR MENTAL CAPABILITIES, OR LACK OF EXPERIENCE AND KNOWLEDGE, UNLESS THEY HAVE BEEN GIVEN SUPERVISED TO ENSURE THAT THEY DO NOT PLAY WITH THE APPLIANCE.

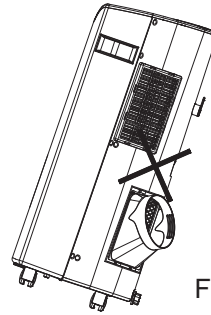


FIG. 1

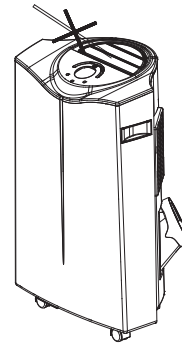


FIG. 2

ELECTRICAL SAFETY:

- THIS APPLIANCE IS FOR INDOOR USE ONLY.
- ALWAYS TURN OFF THE UNIT AND UNPLUG IT WHEN NOT IN USE.
- DO NOT USE THIS UNIT IN EXCESSIVELY HUMID OR WET ENVIRONMENTS (FIG 3).
- DO NOT PULL OR PLACE STRAIN ON THE POWER CORD WHEN MOVING THE APPLIANCE.
- IF THE POWER CORD IS DAMAGED, IT MUST BE REPLACED BY AN ELECTRICIAN OR SPECIALIZED TECHNICIAN AUTHORIZED BY THE MANUFACTURER IN ORDER TO PREVENT FIRE.

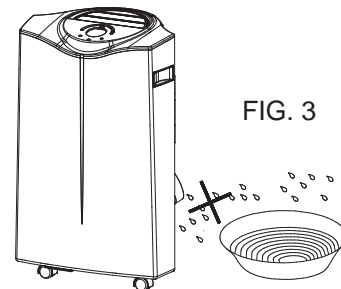


FIG. 3

FOR MAXIMUM EFFICENCY:

- Make sure doors and windows are closed while the portable air conditioner is in use. Also keep curtains and blinds closed during the sunniest parts of the day while the air conditioner is in operation.
- Frequently clean the portable air conditioner's filters.
- Once the room or area has reached your desired comfort level, be sure to reduce the unit's temperature and ventilation settings.

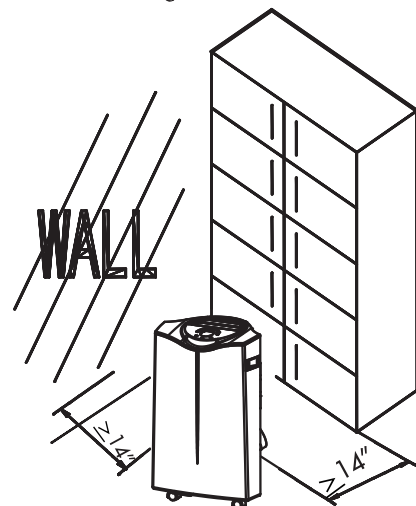
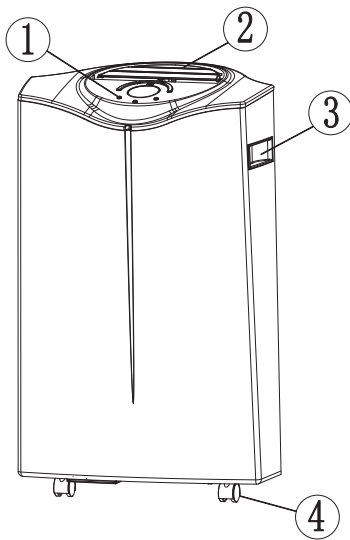


FIG. 4

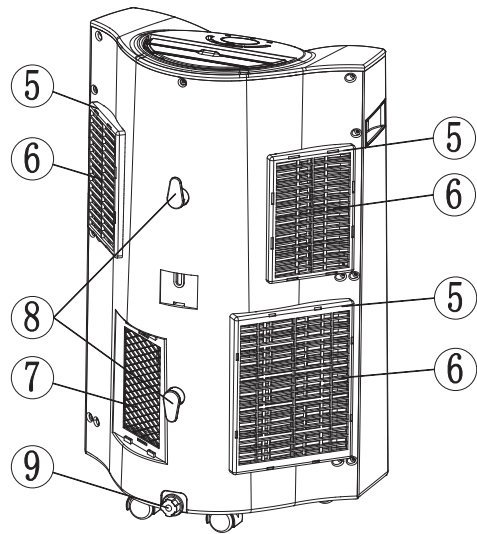
PARTS LIST

Front:



1. Control panel
2. Louvers
3. Carrying handle
4. Casters

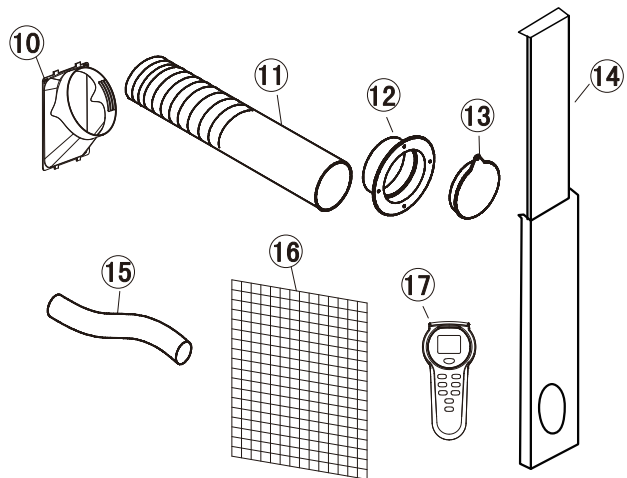
Back:



5. Air filters
6. Air inlets
7. Exhaust air outlet
8. Cord wrap
9. Rubber plug / drainage hole

Accessories:

10. Hose adapter (goes over the exhaust hose and into the back of the unit)
11. Exhaust hose
12. Round connector (to be used in between the hose and window kit or through a wall)
13. Exhaust cap
14. Extendable window kit
15. Drain hose for continuous drainage
16. Activated carbon filter
17. Remote control

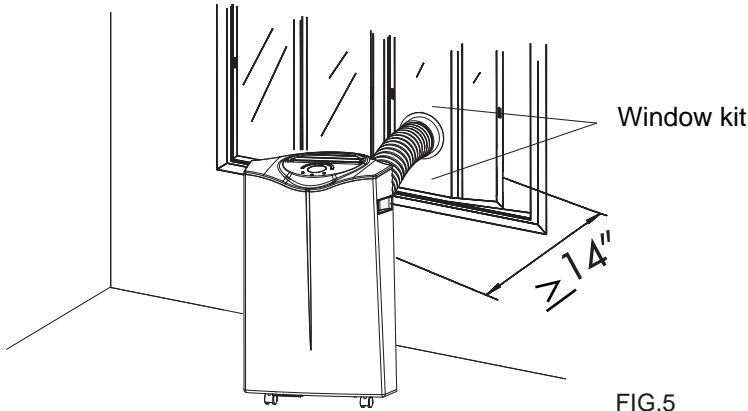


INSTALLATION INSTRUCTIONS

Installing the Exhaust Hose and Window Kit:

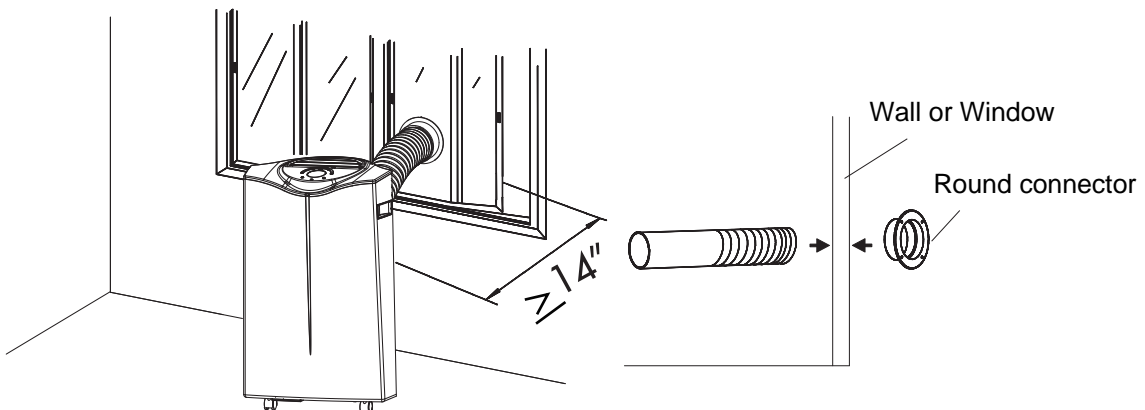
The unit is a portable air conditioner that may be moved from room to room. Hot air must be exhausted out of the room for the appliance to work. This can be done with the included window kit or by cutting a hole into a wall.

1. Venting Through a Window (Using the Window Kit)



- Attach the round connector to the exhaust hose and secure it in place with screws. Then, insert the other end of the exhaust hose into the window kit's round opening.
- Open your window and insert the window kit into the open gap. Adjust the size of the kit if necessary by sliding the window across so that the window kit is securely held into place. This technique may also be used for sash windows.

2. Venting Through a Wall



- Cut a 5.95" (151 mm) diameter hole in the wall.
- Insert the exhaust hose through the hole. On the other side of the wall, attach the round connector to the exhaust hose with screws (Fig. 7). When the air conditioner is not in use, cover the hole with the provided exhaust cap.

Positioning the Exhaust Hose:

- Slide the hose adaptor over the opening on the back of the unit.
- Then insert one end of the exhaust hose into the adaptor.
- Avoid kinks and bends in the exhaust hose. This can cause moist air to accumulate, resulting in overheating and unexpected shut offs.
- The exhaust hose may be extended from 12" (300 mm) to 59" (1500 mm), but for maximum efficiency, use the shortest hose length possible.

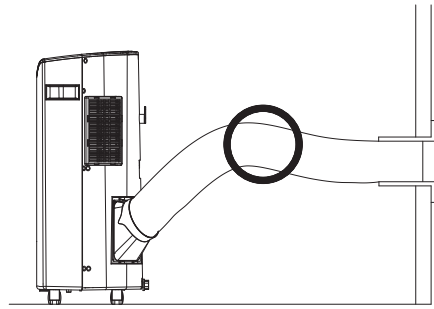


FIG.8

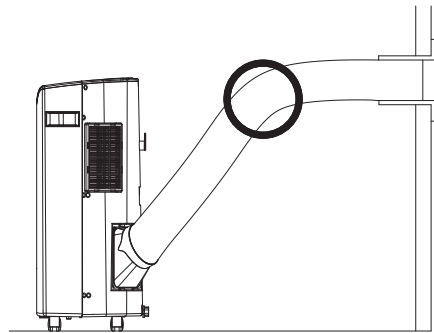


FIG.9

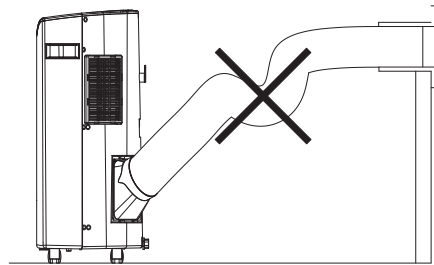


FIG.10

WARNING!

The included exhaust hose is specifically designed to fit the specifications of this unit. Do not extend it with your own hose, as this can cause the air conditioner to malfunction.

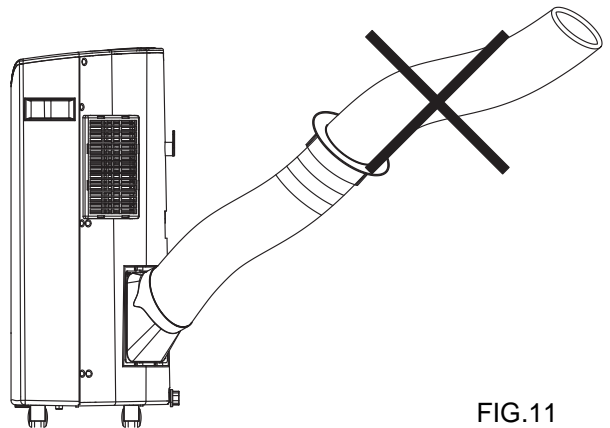


FIG.11

Installing the Activated Carbon Filters:

1. Remove the filter frames from the unit (left and right sides).
2. Separate the filters from the filter frames.
3. Remove the activated carbon filters from their plastic bags.
4. Attach the activated carbon filters onto the filter frames.
5. Re-fix the filters to the filter frames (make sure the active carbon filters will be hold properly).
6. Re-install the filter frames to the unit.

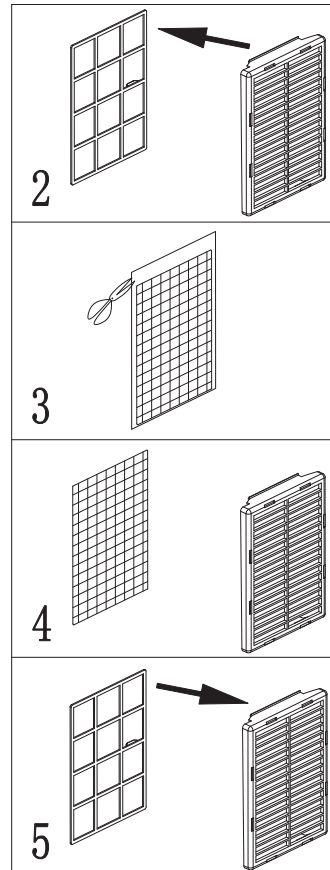
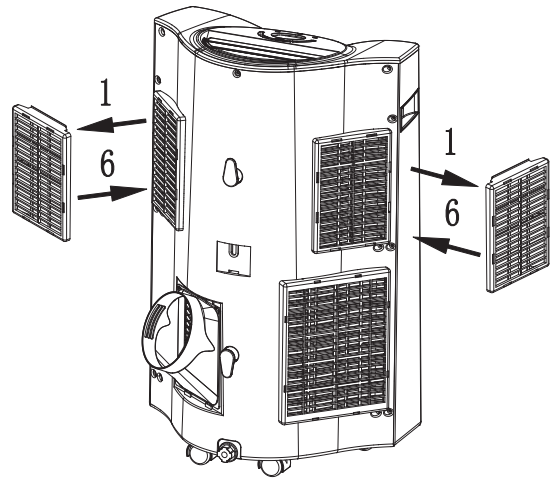


FIG.12

OPERATING INSTRUCTIONS

Control Panel:

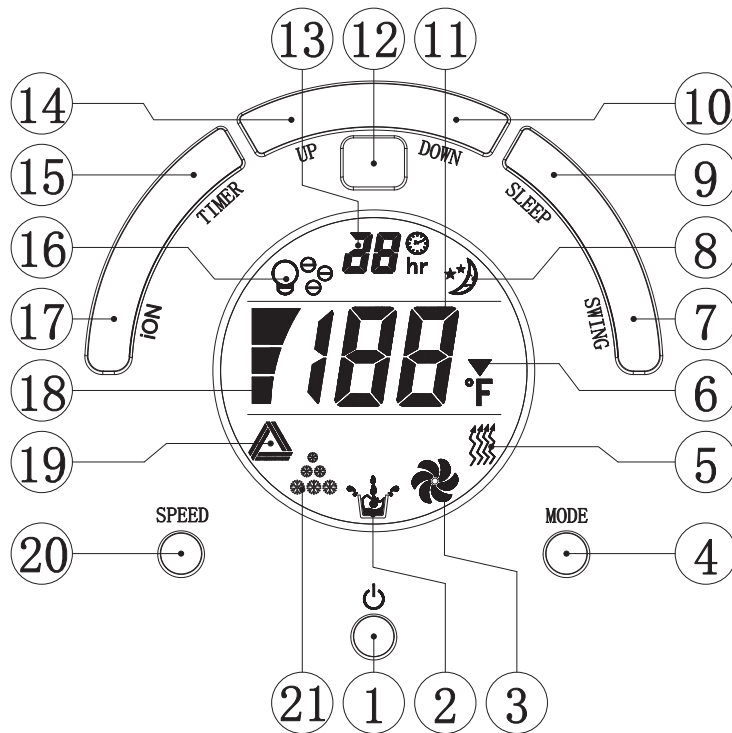


FIG.13

- | | |
|--------------------------------------|---------------------------------|
| 1. ON/OFF (power) button | 12. Remote control receiver |
| 2. Full water tank indicator | 13. Timer display |
| 3. Fan mode indicator | 14. Temperature increase button |
| 4. Mode selection button | 15. Timer button |
| 5. Heater indicator (AC-14000H only) | 16. Ionizer indicator |
| 6. Fahrenheit indicator | 17. Ionizer button |
| 7. Swing button | 18. Fan speed indicator |
| 8. Sleep mode indicator | 19. Automatic mode indicator |
| 9. Sleep mode button | 20. Fan speed button |
| 10. Temperature decrease button | 21. Cooling mode indicator |
| 11. Temperature display | |

Turning the Unit On and Off

1. Press the ON/OFF button. The unit will automatically begin operating. If the ambient temperature is higher than 74° F, the unit will work in cooling mode. If the temperature is at or below 74° F, the unit will work in ventilation (fan) mode.
2. At this time, the indicator lights will show any functions that are in progress. Please note that the display window will only show ambient room temperatures ranging from 32° F to 122° F.
3. To turn the unit off, press ON/OFF button again.

Setting the Mode/Function:

1. Press the MODE button to select the desired mode (cooling, fan or heating). Heating mode is only available on the AC-14000H.
2. The selected mode's indicator light will turn on.

Setting the Temperature:

1. Press the "Up" or "Down" button to change the set temperature.
2. The display window will indicate the set temperature. If no temperature is set, the display will show the ambient room temperature.
3. Please note that the default temperature for cooling is 75° F and 68° F for heating.

Setting the Fan/Ventilation Speed:

1. Press the SPEED button to select the desired fan speed (high, medium or low). The desired fan speed will show on the display screen.
2. If the unit is in AUTO mode, it will automatically choose the fan speed depending on the room's ambient temperature.

Setting the Timer:

1. Press the TIMER button to set the desired number operating hours (from 1 to 24 hours). The display will show the number of hours being set as you press the TIMER button. If the TIMER is not set, the unit will work continuously.
2. By pressing the timer but without selecting any other modes or settings, you can set the number of hours to be delayed before the unit turns on. For example, if you set the timer to "2," the unit will automatically turn on after 2 hours.

Sleep Mode:

1. When in cooling mode, press the SLEEP button. The set temperature will increase 2° F on the first hour, another 2° F on the second hour, and then maintain that temperature.
2. When in heating mode, press the SLEEP button. The set temperature will decrease 2° F on the 1st hour, another 2° F on the second hour, and then maintain that temperature.
3. In sleep mode, the fan will be automatically set to low. By pressing the SLEEP button again, the set temperature and fan speed will revert back to previous settings.
4. The unit will shut down automatically after it has been in sleep mode for 12 hours.
5. Sleep mode will not work when the unit is in fan, dehumidification or auto mode. It will only work in cooling or heating mode.

Swing Function

1. To activate the unit's swinging louvers, press the SWING button. The louvers will rise in 3 different angles: 45°, 60°, and 75°.
2. Once the air conditioner is turned on, the louvers will rise to a 75° first, and then automatically return to 45°.

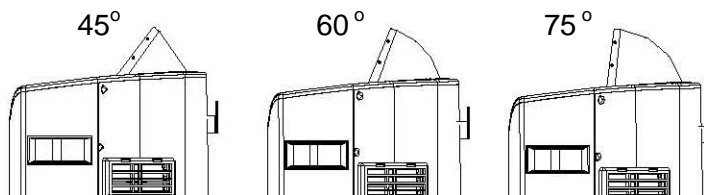


FIG. 14

Dehumidification Function:

When the air conditioner is in dehumidification mode, the temperature cannot be adjusted, and the fan speed will be automatically set to low.

Heating Mode:

When the air conditioner is in heating mode, ambient warm air is recycled and used to heat your immediate area. **The exhaust pipe will still need to be fitted onto the unit in order for the cold air to be removed.** When in heating mode, the machine can be set on HIGH or LOW speed.

Ionizer:

Press IONIZIER button to activate the ionizer function. This will remove harmful particles from the air.

Error Messages:

If there is an error with the air conditioner, the LCD screen will display "E1" or "E2." If either of these error messages appears, please contact the manufacturer or a service center.

All of the above functions can be controlled with the included remote.

The remote requires 2 AAA batteries.

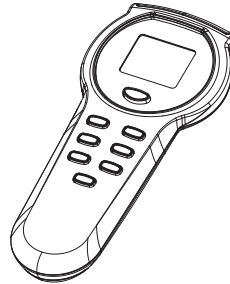


FIG.15

Please Note:

1. To prolong the life of the compressor, after turning off the unit, please wait at least 3 minutes before turning it back on.
2. The cooling system will turn off if the ambient temperature is lower than the set temperature. However, the fan will continue operating at the set level. Once the ambient temperature rises above the set temperature, cooling will resume.
3. The heating system will turn off if the ambient temperature is higher than the set temperature. The ventilation fan will continue operating at the set level. Once the ambient temperature drops below the set temperature, heating will resume.
4. This machine is equipped with an anti-frost function. When using the heating function in low temperatures, the heater will occasionally stop heating in order to melt any frost that has accumulated within the air conditioner. Normal operation will resume in a few moments.

DRAINING THE UNIT

During the cooling process, some water will be extracted from the air and stored within the unit's water reservoir.

If the water reservoir is full, both the compressor and motor will stop and the unit will beep (press any button to stop the beeping sound). The full water tank indicator light will also start flashing.

To resume cooling, empty the reservoir by following these steps:

1. Turn off the air conditioner and unplug it from the wall socket. To prevent water leakage, avoid moving the unit when full.
2. Place a container (such as a small pan) underneath the drainage hole.
3. Remove the drain knob and rubber plug from the drainage hole and allow the water to drain out.
4. When the container is almost full, place the rubber plug back into the drainage hole, empty the container, and place the drain knob back over the rubber plug.
5. Repeat these steps until the water reservoir is completely empty.
6. Replace the rubber plug and make sure it is firmly in place.
7. Turn the unit back on. The full tank indicator light should now turn off.

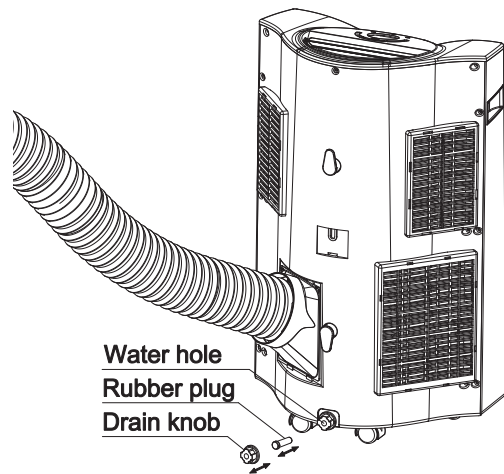


FIG.16

For Continuous Drainage:

- Remove the drain knob and rubber plug from the drain hole and retain it for future use.
- Connect the included drain tube to the drain hole.
- Connect the other end of the tube to a drain (see Fig. 18).

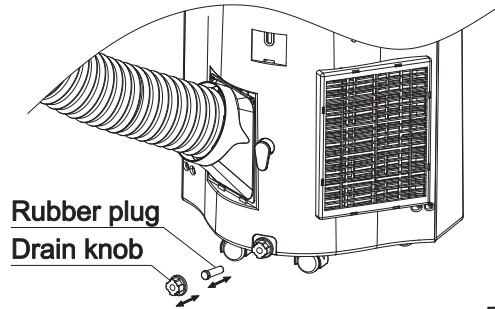


FIG.17

- The drain tube may be extended by adding an extension tube with a suitable connector.

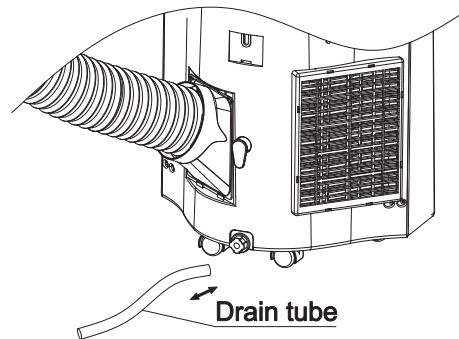


FIG.18

Please Note:

1. The drain must be at or below the level of the drainage port.
2. The full water tank indicator will not work when the unit is being continuously drained.
3. To extend the drain tube, you can connect it with another hose with an overall diameter of approximately 0.7" (18 mm).

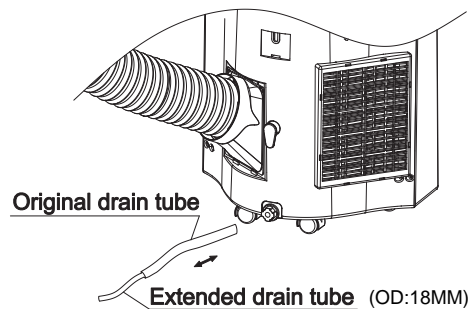


FIG.19

For Heating Mode (AC-14000E Only):

While using the heating function, please note the following:

1. In order to properly exhaust cool air, make sure the exhaust hose and window kit are properly installed (refer to page 4 for instructions).
2. Set up the air conditioner for continuous drainage using the included drain tube (refer to page 12 for instructions).
3. The working range for the heating function is 45° F to 77° F .The unit may not provide optimal heating if used in temperatures outside this range.

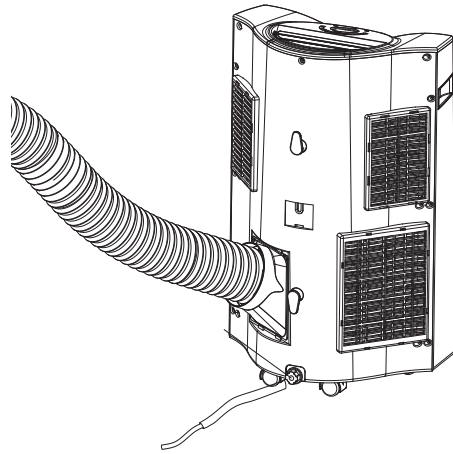


FIG.20

MAINTENANCE INSTRUCTIONS

Always unplug the air conditioner from the power supply before cleaning. To maximize the efficiency of the air conditioner, regularly clean the unit.

Cleaning the Housing:

- Use a soft, damp cloth to wipe the body clean.
- Never use harsh chemicals, gasoline, detergents, chemically treated cloths, or other cleansing solutions. These all could possibly hurt the cabinet.

Cleaning the Filters:

- Use a vacuum cleaner or tap the filter lightly to remove loose dust and dirt from the filters. Rinse the filters under running water (no warmer than 104°F).
- Thoroughly dry the filters before replacing it back into the unit.
- Do not use the air conditioner without the filters.

End of Season Storage:

- Completely drain out any condensed water from the unit.
- Set the air conditioner on fan mode (ventilation only) for a few hours to dry the inside of the unit.
- Clean or change the filter.
- Unplug and wrap the power cord around the cord wrap as shown (Fig. 21).
- Place the unit back in its original carton and store it in a clean, dry area.

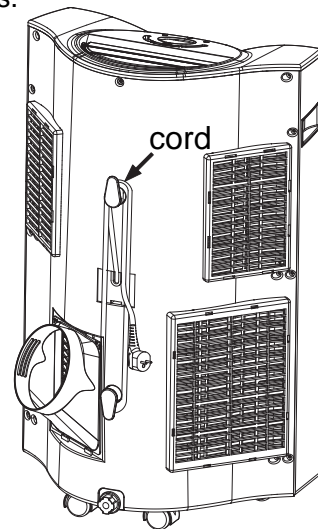


FIG. 21

TROUBLESHOOTING

The air conditioner does not operate.

- Is the air conditioner plugged in?
- Is the power outlet functioning correctly?
- Is the full water tank indicator light flashing?
- Is the ambient room temperature lower than the set temperature?
- Is the filter dusty or dirty?
- Is the air inlet or outlet blocked?

The unit does not produce adequate cooling.

- Is the unit placed in direct sunlight? If so, close any curtains or move the unit to a more shaded area.
- Are too many windows or doors open?
- Are there too many people in the room?
- Are there additional heat sources in the room?
- Is the filter dusty or dirty?
- Is the air inlet or outlet blocked?
- Is the ambient room temperature lower than the set temperature?

The unit is noisy.

- Is the machine positioned unevenly? Make sure the air conditioner is placed on a level, solid surface.

The compressor does not work.

- Is the compressor's overheat protection function activated? If so, wait for the temperature to drop and then turn on the unit again.

☆ Never try to repair or dismantle the unit yourself. Unauthorized repairs can void your warranty and endanger the user.

TECHNICAL SPECIFICATIONS

Model Number:	AC-14000E	AC-14000H
Power/Ampere Consumption for Cooling*	1420W / 12.8A	
Power/Ampere Consumption for Heating*	N/A	1420W / 12.8A
Air Volume (max. speed)	450m ³ /h	
Voltage / Frequency	115V, 60Hz	
Compressor Type	Rotary	
Refrigerant Type	R-410A	
Number of Fan Speeds	3	
Timer	1~24 hours	
Exhaust Pipe Dimensions	Ø 5.6" X 59.1"	
Net Weight	72.8 lbs	
Product Dimensions	17.7" x14.4" x 32.5"	

Notes:

1. Heating function is only for model number AC-14000H.
2. The data marked with '*' may vary for technical reasons; for more accurate data, please refer to the rating label found on the back of the unit.
3. Measuring condition for the above specifications:

Cooling – DB = 95° F , WB= 82.94°F

Heating – DB= 68° F , WB= 59°F

* D.B. = dry bulb temperature = room temperature

*W.B. = wet bulb temperature = relative humidity

* If you plug in the Air Conditioner, and there is no green light on the plug, press the reset button on the LCDI plug. The green light should be lit, indicating that the air conditioner is getting power from the electrical outlet.

If the plug continues to trip (which is a USA national safety standard feature) and the green light goes off, the cord may be damaged preventing you from resetting the unit. For your safety, contact a licensed electrician.

