

### SAVE THESE INSTRUCTIONS

NOTE: Check ALL parts for shipping damage. If shipping damage is noted, DO NOT use. Contact carrier/dealer for further instruction.

#### WARNING

- **DO NOT** install or use this equipment without first reading and understanding this instruction sheet. If you are unable to understand the warnings, cautions or instructions, contact a healthcare professional, dealer or technical personnel, before attempting to install this equipment - otherwise, injury or damage may occur.
- All four leg tips **MUST** be in contact with shower/tub floor at all times and on an even surface.
- **ALWAYS** inspect the shower chair to ensure that it is properly positioned and stable before using. **DO NOT** use the shower chair if it is wobbly or unstable.
- The shower chair legs have suction feet. Check the suction feet for rips, tears, cracks or wear. If any of these conditions exist, replace them **IMMEDIATELY**.
- This product should only be used with tub floors wider than 16-inches.
- Users with limited physical capabilities should be supervised or assisted when using the shower chair.
- The shower chair is **NOT** to be used as a transfer bench, transfer device or climbing device.
- These shower chairs (models 9780E and 9781E) have a weight limitation of 182 kg (400 lb) each.
- Exercise caution when assembling the shower chair to avoid pinching.
- For shower chair model 9781E - Ensure that the compression buttons on the backrest are fully visible through the notch on the back of the seat.
- This product should be used in a surrounding temperature between 10° and 40° C.

#### ACCESSORIES WARNING

- Invacare products are specifically designed and manufactured for use in conjunction with Invacare accessories. Accessories designed by other manufacturers have not been tested by Invacare and are not recommended for use with Invacare products.

#### INSTALLATION WARNING

- After **ANY** adjustments, repair or service and **BEFORE** use, make sure that all parts are properly installed and secure.

#### CAUTION

- The shower chair legs have suction feet. To remove suction, carefully pull up on the lip of the suction foot to release it from the tub. If the suction feet are damaged, they **MUST** be replaced **IMMEDIATELY**.

## General

### Symbols



Warning indicates a potentially hazardous situation which, if not avoided, could result in death or serious injury.



Caution indicates a potentially hazardous situation which, if not avoided, may result in property damage or minor injury or both.



This product complies with Directive 93/42/EEC concerning medical devices.

### Life

The expected life of the product listed in this manual when used in accordance with the safety instructions, maintenance intervals and care instructions is five years. Maintenance and inspection should be done at least every six months.

### Intended Use

#### WARNING

**Risk of injury. Avoid excess impact to the shower chair by dropping the user weight onto the shower chair.**

This product is designed solely as an aid for taking a shower and for use in the bathroom. Any other use is prohibited.



## Cleaning

NOTE: Before using any cleaning products, test an area on the underside of the seat to make sure the product does not cause discoloration or staining.

1. Remove the legs and backrest from the shower chair.
2. Use water and a mild, non-abrasive cleaner to clean the shower chair.

## After Use

### Disposal

When the product can no longer be used, the product, accessories and the packaging materials should be sorted correctly.

Please be environmentally responsible and recycle this product through your recycling facility at its end of life.

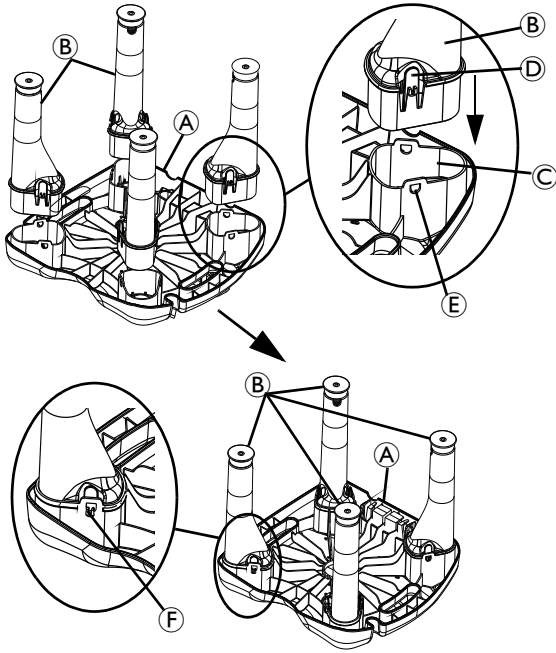
### Reuse

#### WARNING

**Risk of injury. Always have a dealer inspect the product for damage before transferring the product to a different user. If any damage is found, DO NOT use the product. Otherwise injury may occur.**

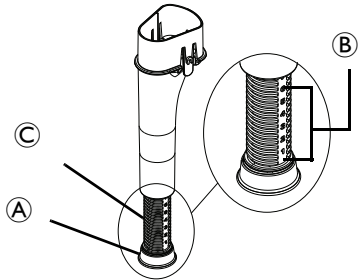
## Assembling the Shower Chair

### Attaching the Legs



1. Allow the shower chair adjust to room temperature, if necessary.
2. Place the seat (A) upside down on a flat, stable surface (floor or table).
3. Position one leg (B) over one socket (C) in the seat and align.
4. Push the leg down into the socket until it is fully seated and the locking tabs (D) are through the socket tab windows (E).
5. Pull up on the leg to ensure that it has "locked" (F) into place.
6. Repeat STEPS 2-5 for the remaining three legs.

### Adjusting Leg Extension Height



### **⚠ WARNING**

Ensure that the shower chair is level and stable before use.

#### To increase leg height:

1. Rotate the leg extension tip (A) counterclockwise.
2. Use the number reference (B) in the leg extension (C) to adjust the leg height. Refer to DETAIL "B".
3. Repeat STEPS 1-2 for the remaining three legs.

*NOTE: Make sure that all four legs are adjusted to the same height.*

#### To decrease leg height:

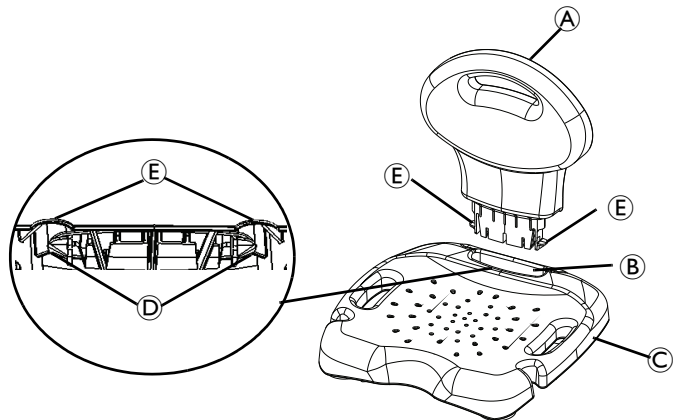
1. Rotate the leg extension tip (A) clockwise.
2. Use the number reference (B) in the leg extension (C) to adjust the leg height. Refer to DETAIL "B".
3. Repeat STEPS 1-2 for the remaining three legs.

*NOTE: Make sure that all four legs are adjusted to the same height.*

## Installing/Removing the Backrest - Model

### 9781E Only

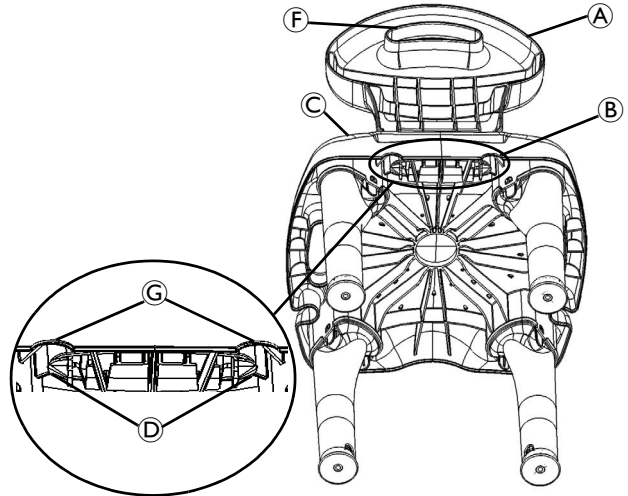
#### Installing



1. Before installing the backrest (A), attach and adjust the legs so the shower chair is level and stable. Refer to [Attaching the Legs](#) and [Adjusting Leg Extension Height](#) on page 2.
2. Position the backrest into the slot (B) in the seat (C).
3. Push down on the backrest until it snaps securely into the slot in the seat.
4. Turn the shower chair upside down and look under the seat to ensure both compression buttons (D) are fully visible through the notches (E) on the back of the seat.

*NOTE: If both compression buttons are visible, the backrest is attached properly. If the compression buttons are not visible, apply pressure to the backrest until it snaps into the slot in the seat.*

#### Removing



1. Locate and depress both compression buttons (D) with one hand.
2. Using the other hand, use the backrest handle (F) to pull the backrest (A) up and disengage it out of the slot (B) in the seat (C).

## Using the Shower Chair

### **⚠ WARNING**

**Risk of injury. DO NOT lift the shower chair while the user is seated. The backrest can get loose and injury or damage may occur.**