

LoadLIFTER 5000

by AIR LIFT®

Kit 57338

**2011- Chevrolet/GMC
2500/3500HD Pickups
2WD & 4WD**



INSTALLATION GUIDE

For maximum effectiveness and safety, please read these instructions completely before proceeding with installation.

Failure to read these instructions can result in an incorrect installation.

Replacement Parts and Returns



Please do not cannibalize kits for parts!

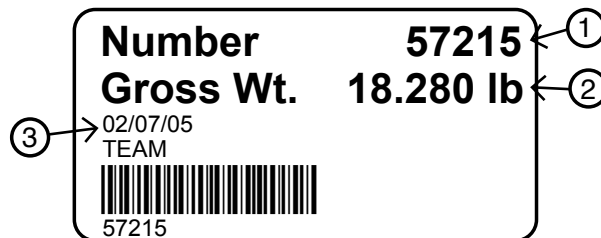
Help us avoid waste and order by part number. If you need an air spring replacement part, please follow these steps.

- Step 1** Contact your dealer and order by part number. Download a detailed list at www.airliftcompany.com/downloads.html.
- Step 2** If your dealer does not have the part in stock, call Air Lift directly and we can ship you the part you need, the same day, in the U.S. or Canada.

Missing or damaged item?

Before calling Air Lift customer service, please gather the following information:

- Your receipt
- Condition the kit was in when you purchased it
- Description or part number of the missing/damaged item
- Information from the box label
 1. Kit number
 2. Weight
 3. When was the kit packed?



Replacement Information

If you need replacement parts, contact the local dealer or call Air Lift customer service at (800) 248-0892. Most parts are immediately available and can be shipped the same day.

Contact Air Lift Company customer service at (800) 248-0892 first if:

- Parts are missing from the kit.
- Need technical assistance on installation or operation.
- Broken or defective parts in the kit.
- Wrong parts in the kit.
- Have a warranty claim or question.

Contact the retailer where the kit was purchased:

- If it is necessary to return or exchange the kit for any reason.
- If there is a problem with shipping if shipped from the retailer.
- If there is a problem with the price.

TABLE OF CONTENTS

Introduction	2
Important Safety Notice	2
Notation Explanation	2
Installation Diagrams	3
Hardware List	4
Tools List	4
Installing the LoadLifter 5000 System	5
Getting Started	5
Assembling the Air Spring Assembly	6
Positioning the Air Spring Assembly on the Axle	7
Attaching the Upper Brackets	7
Re-attaching the Emergency Brake Cable to Frame	8
Attaching the Lower Brackets	8
Installing the Air Lines	9
Installing the Heat Shield	11
Checking for Leaks	11
Fixing Leaks	11
Before Operating	12
Installation Checklist	12
Post-Installation Checklist	12
Product Use, Maintenance and Servicing	12
Suggested Driving and Maximum Pressure	12
Maintenance Guidelines	13
Troubleshooting Guide	13
Frequently Asked Questions	14
Tuning the Air Pressure	14
Guidelines for Adding Air	15
Warranty and Return Policy	16
Contact Information	16

Introduction

The purpose of this publication is to assist with the installation, maintenance and troubleshooting of the LoadLifter 5000 air spring kit. LoadLifter 5000 utilizes sturdy, reinforced, commercial grade single or double, depending on the kit, convolute bellows. The bellows are manufactured like a tire with layers of rubber and cords that control growth. LoadLifter 5000 kits are recommended for most 3/4 and 1 ton pickups and SUVs with leaf springs and provide up to 5,000 lbs. of load leveling support with air adjustability from 5-100 PSI. The kits are also used in motor home rear kits and some motor home fronts where leaf spring are used.

It is important to read and understand the entire installation guide before beginning installation or performing any maintenance, service or repair. The information here includes a hardware list, tool list, step-by-step installation information, maintenance guidelines and operating tips.

Air Lift Company reserves the right to make changes and improvements to its products and publications at any time. For the latest version of this manual, contact Air Lift Company at (800) 248-0892 or visit our website at www.airliftcompany.com.

IMPORTANT SAFETY NOTICE

The installation of this kit does not alter the Gross Vehicle Weight Rating (GVWR) or payload of the vehicle. Check your vehicle's owner's manual and do not exceed the maximum load listed for your vehicle.

Gross Vehicle Weight Rating: The maximum allowable weight of the fully loaded vehicle (including passengers and cargo). This number — along with other weight limits, as well as tire, rim size and inflation pressure data — is shown on the vehicle's Safety Compliance Certification Label.

Payload: The combined, maximum allowable weight of cargo and passengers that the truck is designed to carry. Payload is GVWR minus the Base Curb Weight.

NOTATION EXPLANATION

Hazard notations appear in various locations in this publication. Information which is highlighted by one of these notations must be observed to help minimize risk of personal injury or possible improper installation which may render the vehicle unsafe. Notes are used to help emphasize areas of procedural importance and provide helpful suggestions. The following definitions explain the use of these notations as they appear throughout this guide.

DANGER

INDICATES IMMEDIATE HAZARDS WHICH WILL RESULT IN SEVERE PERSONAL INJURY OR DEATH.

WARNING

INDICATES HAZARDS OR UNSAFE PRACTICES WHICH COULD RESULT IN SEVERE PERSONAL INJURY OR DEATH.

CAUTION

INDICATES HAZARDS OR UNSAFE PRACTICES WHICH COULD RESULT IN DAMAGE TO THE MACHINE OR MINOR PERSONAL INJURY.

NOTE

Indicates a procedure, practice or hint which is important to highlight.

Installation Diagram

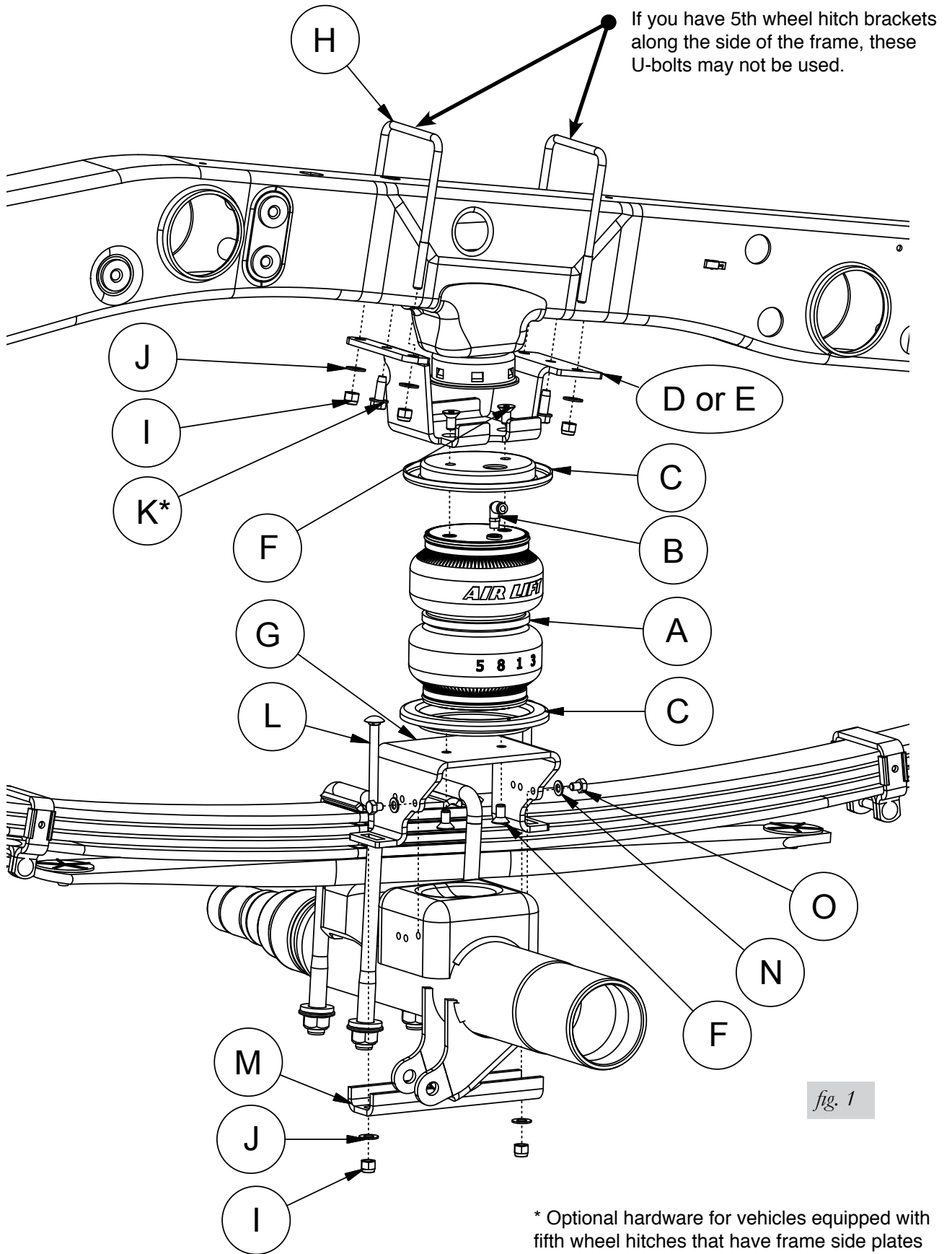


fig. 1

* Optional hardware for vehicles equipped with fifth wheel hitches that have frame side plates

Hardware and Tools Lists

HARDWARE LIST

Item	Part #	Description	Qty
A	58437	Air Spring	2
B	21837	90° Swivel Air Fitting	2
C	11951	Roll Plate.....	4
D	07276	Upper Bracket, Right.....	1
E	07377	Upper Bracket, Left.....	1
F	17215	3/8"-16 X .75" Flat Head Screw	8
G	03962	Lower Bracket.....	2
H	11046	U-bolt	4
I	18435	3/8"-16 Nyloc Nut.....	12
J	18444	3/8" Flat Washer	12
K	17129	3/8" Self Tapping Screws.....	4
L	17142	3/8"-16 X 3.5" Carriage Bolts	4
M	01851	Clamp Bar	2
N	18501	M8 Flat Washer.....	4
O	17449	M8-1.25 X 10" Hex Cap Screw	4
P	18422	3/8"-16 Serrated Flange Lock Nut.....	1
Q	26333	Emergency Brake Cable Bracket.....	1
R	10466	Tie Strap	6
S	21230	Valve Cap	2
T	21233	5/16" Hex Nut.....	2
U	21234	5/16" Rubber Washer.....	2
V	34365	Exhaust Heat Shield Kit.....	1
W	18411	Star Washer.....	2

TOOLS LIST

Description.....	Qty
5/16" Open-end or box wrench.....	1
7/16" Open-end or box wrench.....	1
9/16" Open-end or box wrench.....	1
Ratchet w/ 9/16", Metric, & 1/2" Deep	
Well Sockets.....	1
Heavy Duty Drill.....	1
Drill 3/8" and 5/16" Drill Bits (very sharp).....	2
Crescent Wrench.....	1
Torque Wrench.....	1
Hose Cutter, Razor Blade or Sharp Knife.....	1
Hoist or Floor Jack.....	1
Safety Stands	2
Safety Glasses	1
Air Compressor or Compressed Air Source	1
Spray Bottle with Dish Soap/Water Solution	1
7/32 Allen Wrench	1



Missing or damaged parts? Call Air Lift customer service at (800) 248-0892 for a replacement part.

Installing the LoadLifter 5000 System

GETTING STARTED

1. Raise the frame and support the frame with jack stands. Lower the axle as far as it can go.
2. Remove the jounce bumpers from the jounce bumper brackets on both sides by prying them out with a pry bar or large screw driver (figs. 2 & 3).

Jounce bumper
in mounting cup



fig. 2

Jounce bumper
removed

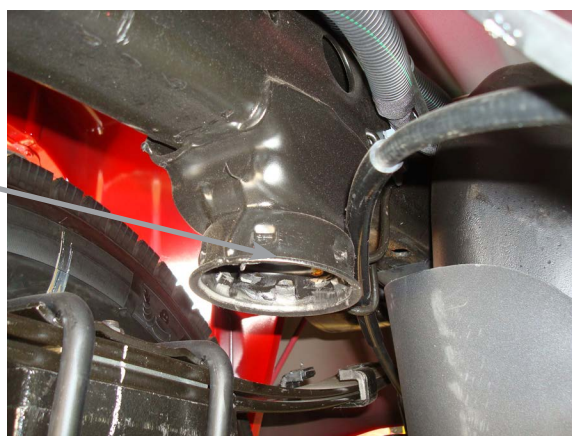


fig. 3

3. Remove the bolt that holds the emergency bracket to the inside of the driver side frame rail (figs. 4 & 5).

Remove the bolt
and discard the
wire retaining
bracket



fig. 4



Bolt and retaining bracket removed

fig. 5

- Remove the three bolts that hold the brake lines to the rear axle jounce bumper strike plates (figs. 6 & 7).

Remove the bolt holding the brake line to the Jounce Bumper Strike Plate in the rear on both driver and passenger side



Driver side, rear

fig. 6

Remove the bolt holding the Emergency brake cable on the front of the passenger side Jounce Bumper Strike Plate



Passenger side, front

fig. 7

- Pull the lines clear of the jounce bumper strike plate on the axle to make room for the lower bracket (fig. 7).

ASSEMBLING THE AIR SPRING ASSEMBLY

- Set a roll plate (C) on both ends of the air spring (A). The radiused (round) edge of the roll plate will be towards the air spring, enabling the air spring to be seated in both roll plates.
- Install the 90° elbow fitting (B) on top of the air spring. Tighten finger tight plus 1 and a ½ turns. Be careful to only tighten on the metal hex nut. Do not over tighten (fig. 1).

3. Install the upper brackets (D or E) onto the top of the air springs using the 3/8 Flat Head bolts (F) (fig. 1). Tighten securely.
4. Install the lower brackets onto the air spring assembly using the 3/8 Flat Head bolts.

NOTE

The angle portion of the lower bracket will be on the fitting side of the air spring (fig. 1).

POSITIONING THE AIR SPRING ASSEMBLY ON THE AXLE

1. With the suspension hanging, set the left and right hand units over the axle jounce bumper strike plates (fig. 1).

NOTE

The fittings will be on the inside of the frame.

2. Position the upper brackets to nest around the Jounce Bumpers that are under the frame (fig. 1).

ATTACHING THE UPPER BRACKETS

There are two ways of attaching the upper bracket:

For trucks that do not have a fifth wheel hitch bracket along side of the frame:

1. Insert two u-bolts (H) onto the top of the frame and through the upper bracket mounting holes (fig. 8).

NOTE

It may be necessary to raise the axle at this point for the upper bracket to reach the frame.

Insert the U-bolts between the brake line and harness as shown. Do not pinch these items between the U-bolt and frame.



fig. 8

2. Cap with four 3/8 nyloc nuts (I) and flat washers (J). Torque u-bolts evenly in a criss cross pattern to 10ftlbs. Repeat for the opposite side.

NOTE

Stuff a shop towel between the gas tank and shield to keep washer or nut from falling in between in case they are dropped during installation.

CAUTION

THE DRIVER SIDE HAS A BRAKE LINE AND A WIRING HARNESS RUNNING ALONG THE INSIDE OF THE FRAME. MAKE SURE THE U-BOLT IS BETWEEN THESE ITEMS AND THE FRAME (DO NOT PINCH THESE ITEMS) (FIG. 8).

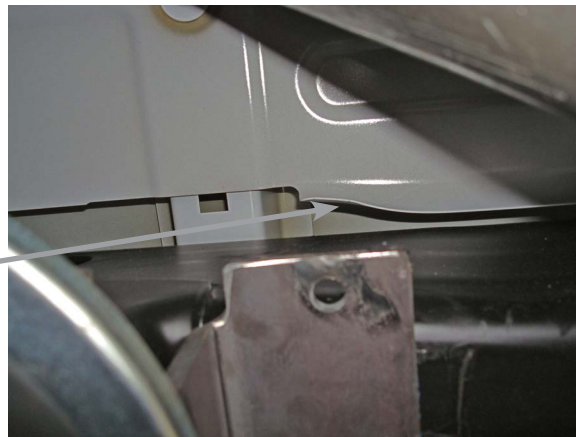
NOTE

On the passenger side of some models you may have to bend the heat shield a little to gain access for the u-bolt to go over the frame correctly (fig. 9).

For trucks that have fifth wheel hitch brackets along side the frame rail:

1. There are holes in the middle of the bracket just forward and behind the jounce bumper mounting cups on the upper bracket (fig. 1). Once the upper brackets are in position, drill two 5/16" holes through the bottom of the frame using the holes as a template and attach the upper brackets using the self tapping screws (K). Torque all four fasteners to 15ftlbs.

On the passenger side on some models it may be necessary to bend the heat shield slightly for the U-bolt to align properly with the upper bracket


fig. 9

RE-ATTACHING THE EMERGENCY BRAKE CABLE TO FRAME

1. Attach the emergency brake cable removed in the “getting started” section with the emergency brake cable bracket (Q) and 3/8 serrated flange lock nut (P) (fig. 10). Use the inside forward leg of the u-bolt on the driver side for the attachment. Tighten securely.

NOTE

It may be necessary to pinch the clamp together with pliers to align the two holes up enough to get over the U-bolts.

Emergency Brake Cable



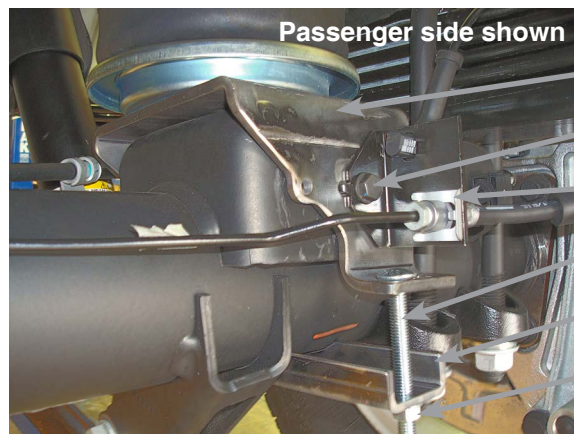
3/8" Serrated Flange Nut (P)

Emergency Brake Cable Bracket (Q)

fig. 10

ATTACHING THE LOWER BRACKETS

1. Position the lower bracket in/out to best align the bellows. Insert two 3/8 carriage bolts (I) through lower bracket mounting legs (fig. 11).


fig. 11

Lower Bracket

M8 Screw and Washer

Stock Brake Bracket

Carriage Bolt

Clamp Bar

3/8" Nyloc and Washer

2. Insert the lower clamp bar (M) over the two carriage bolts previously installed and cap with two 3/8 nyloc nuts (I) and flat washers (J). Torque evenly to 16ftlbs.
3. Attach the brake lines that were un-bolted from the rear of the axle in the “getting started” section by attaching them to the lower bracket with the new M8 screws (O) and flat washers (N) provided (fig. 11). Tighten securely.
4. Attach the brake cable on the passenger side, forward of the axle with the new M8 screw (O) and flat washer (J). Tighten securely.

NOTE

It may be necessary to slightly bend this bracket to clear the edge of the lower bracket (fig. 12).

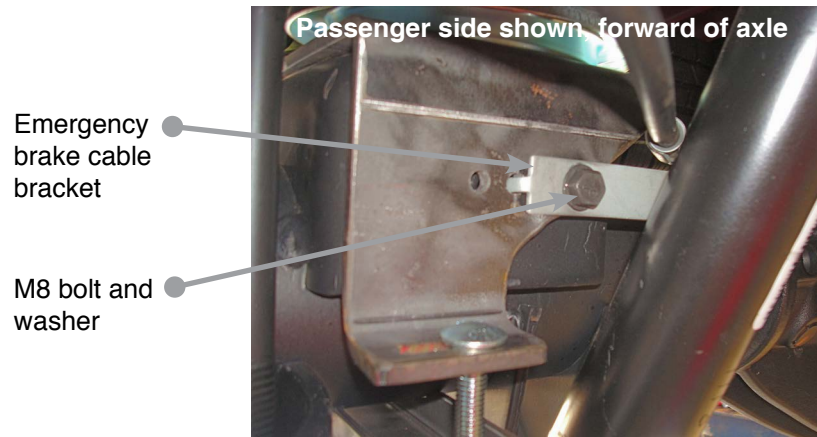


fig. 12

INSTALLING THE AIR LINES

1. Choose a convenient location for mounting the inflation valves. Popular locations for the inflation valve are:
 - a. The wheel well flanges
 - b. The license plate recess in bumper
 - c. Under the gas cap access door
 - d. Through the license plate

NOTE

Whatever the chosen location, make sure there is enough clearance around the inflation valves for an air chuck.

2. Drill two 5/16” holes to install the inflation valves.
3. Cut the air line assembly in two equal lengths.

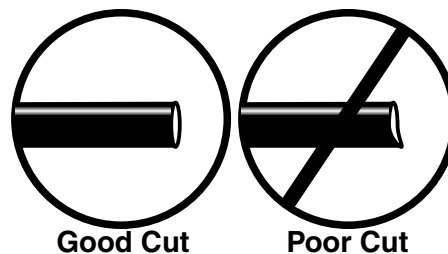
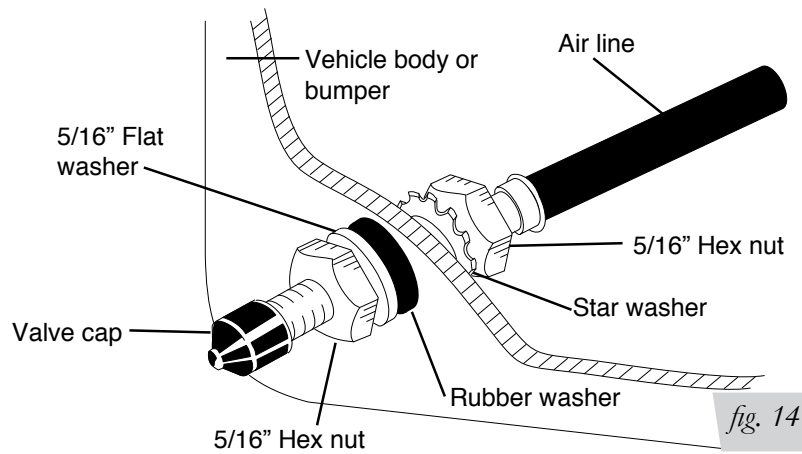


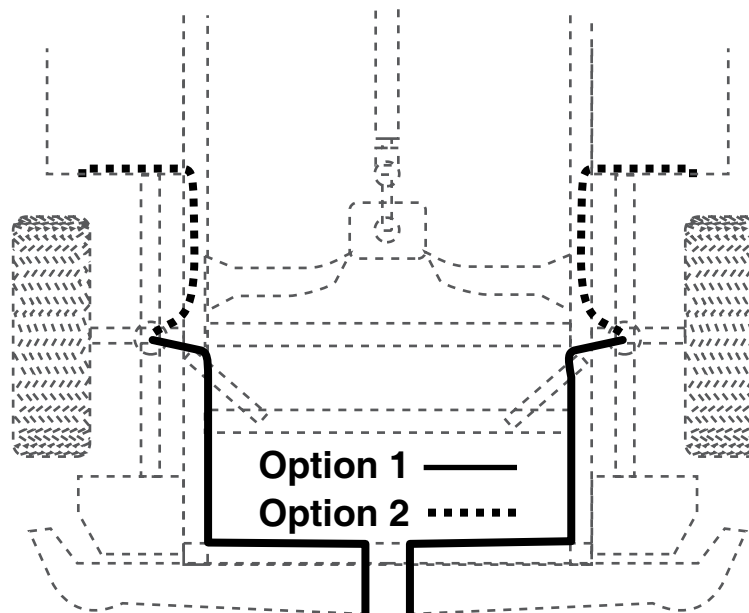
fig. 13

CAUTION

WHEN CUTTING OR TRIMMING THE AIR LINE, USE A HOSE CUTTER, A RAZOR BLADE, OR A SHARP KNIFE. A CLEAN, SQUARE CUT WILL ENSURE AGAINST LEAKS. DO NOT USE WIRE CUTTERS OR SCISSORS TO CUT THE AIR LINE. THESE TOOLS MAY FLATTEN OR CRIMP THE AIR LINE CAUSING IT TO LEAK AROUND THE O-RING SEAL INSIDE THE ELBOW FITTING (FIG. 13).



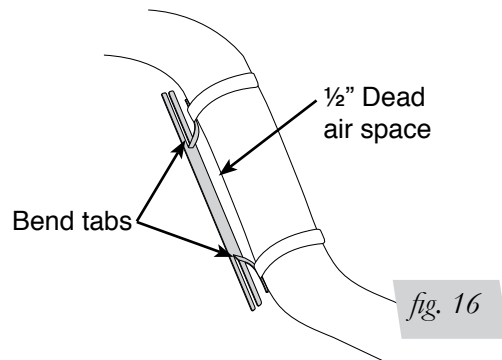
4. Place a 5/16" nut (T) and star washer (W) on the air valve. Leave enough of the inflation valve in front of the nut to extend through the hole and have room for the rubber washer (U), flat washer (N), and 5/16" nut (T) and cap. There should be enough valve exposed after installation — approximately 1/2" — to easily apply a pressure gauge or an air chuck (fig. 14).
5. Push the inflation valve through the hole and use the rubber washer (U), flat washer (N), and another 5/16" (T) nut to secure it in place. Tighten the nuts to secure the assembly.
6. Route the air line along the frame to the air fitting on the air spring (fig. 15). Keep AT LEAST 6" of clearance between the air line and heat sources, such as the exhaust pipes, muffler, or catalytic converter. Avoid sharp bends and edges. Use the plastic tie straps to secure the air line to fixed, non-moving points along the chassis. Be sure that the tie straps are tight, but do not pinch the air line. Leave at least 2" of slack to allow for any movement that might pull on the air line.



7. Cut off the air line, leaving approximately 12" of extra air line. A clean square cut will ensure against leaks. Insert the air line into the air fitting. This is a push-to-connect fitting. Simply push the air line into the 90° swivel fitting until it bottoms out (9/16" of air line should be in the fitting).

INSTALLING THE HEAT SHIELD

1. Bend tabs to provide a $\frac{1}{2}$ " dead air space between exhaust pipe and heat shield (fig. 16).
2. Attach the heat shield to the exhaust pipe using the clamps. Bend the heat shield for maximum clearance to the air spring (fig. 16).



CHECKING FOR LEAKS

1. Inflate the air spring to 30 PSI.
2. Spray all connections and the inflation valves with a solution of $\frac{1}{5}$ liquid dish soap and $\frac{4}{5}$ water. Spot leaks easily by looking for bubbles in the soapy water.
3. After the test, deflate the springs to the minimum pressure required to restore the system to normal ride height. Do not deflate to lower than 5 PSI.
4. Check the air pressure again after 24 hours. A 2 - 4 PSI loss after initial installation is normal. Retest for leaks if the loss is more than 5 lbs.

FIXING LEAKS

1. If there is a problem with the swivel fitting:
 - a. Check the air line connection by deflating the spring and removing the line by pulling the collar against the fitting and pulling firmly on the air line. Trim 1" off the end of the air line. Be sure the cut is clean and square (see fig. 13). Reinsert the air line into the push-to-connect fitting.
 - b. Check the threaded connection by tightening the swivel fitting another $\frac{1}{2}$ turn. If it still leaks, deflate the air spring, remove the fitting, and re-coat the threads with thread sealant. Reinstall by hand tightening as much as possible and then use a wrench for an additional two turns.
2. If there is a problem with the inflation valve:
 - a. Check the valve core by tightening it with a valve core tool.
 - b. Check the air line by removing the air line from the barbed type fitting. Cut the air line off a few inches in front of the fitting and use a pair of pliers or vice grips to pull/twist the air line off of the fitting.



DO NOT CUT OFF THE AIR LINE COMPLETELY AS THIS WILL USUALLY NICK THE BARB AND RENDER THE FITTING USELESS.

3. If the preceding steps have not resolved the problem, call Air Lift customer service at (800) 248-0892.

Before Operating

INSTALLATION CHECKLIST (To be completed by installer)

- Clearance test — Inflate the air springs to 60 PSI and ensure there is at least ½” clearance around each bellow, away from anything that might rub against them. Be sure to check the tire, brake drum, frame, shock absorbers and brake cables.
- Leak test before road test — Inflate the air springs to 60 PSI, check all connections for leaks with a soapy water solution. See page 11 for tips on how to spot leaks. All leaks must be eliminated before the vehicle is road tested.
- Heat test — Be sure there is sufficient clearance from any heat sources — at least 6” for air springs and air lines. If a heat shield was included in the kit, install it. If there is no heat shield, but one is required, call (800) 248-0892.
- Fastener test — Recheck all bolts for proper torque. Axle straps carriage bolt lock nuts should be torqued to 16 ft/lbs. Re-torque after 100 miles.
- Road test — The vehicle should be road tested after the preceding tests. Inflate the air springs to 25 PSI (50 PSI if the vehicle is loaded). Drive the vehicle 10 miles and recheck for clearance, loose fasteners and air leaks.
- Operating instructions — If professionally installed, the installer should review the Product Use, Maintenance and Servicing section on page 12 with the owner. Be sure to provide the owner with all of the paperwork which came with the kit.

Technician’s Signature _____

Date _____

POST-INSTALLATION CHECKLIST

- Overnight leak down test — Recheck air pressure after the vehicle has been used for 24 hours. If the pressure has dropped more than 5 PSI, then there is a leak that must be fixed. Either fix the leak yourself or return to the installer for service.
- Air pressure requirements — I understand the air pressure requirements of my air spring system. Regardless of load, the air pressure should always be adjusted to maintain ride height at all times.
- Thirty day or 500 mile test — I understand that I must recheck the air spring system after 30 days or 500 miles, whichever comes first. If any part shows signs of rubbing or abrasion, the source should be identified and moved, if possible. If it is not possible to relocate the cause of the abrasion, the air spring may need to be remounted. If professionally installed, the installer should be consulted. Check all fasteners for tightness.

Product Use, Maintenance and Servicing

Suggested Driving Pressure	Maximum Air Pressure
5 PSI	100 PSI
FAILURE TO MAINTAIN CORRECT MINIMUM PRESSURE (OR PRESSURE PROPORTIONAL TO LOAD), BOTTOMING OUT, OVER-EXTENSION OR RUBBING AGAINST ANOTHER COMPONENT WILL VOID THE WARRANTY.	

MAINTENANCE GUIDELINES

NOTE

By following the steps below, vehicle owners will obtain the longest life and best results from their air springs.

1. Check the air pressure weekly.
2. Always maintain normal ride height. Never inflate beyond 100 PSI.
3. If you develop an air leak in the system, use a soapy water solution (1/5 liquid dish soap and 4/5 water) to check all air line connections and the inflation valve core before deflating and removing the air spring.

CAUTION

FOR YOUR SAFETY AND TO PREVENT POSSIBLE DAMAGE TO YOUR VEHICLE, DO NOT EXCEED MAXIMUM GROSS VEHICLE WEIGHT RATING (GVWR), AS INDICATED BY THE VEHICLE MANUFACTURER. ALTHOUGH YOUR AIR SPRINGS ARE RATED AT A MAXIMUM INFLATION PRESSURE OF 100 P.S.I., THE AIR PRESSURE ACTUALLY NEEDED IS DEPENDANT ON YOUR LOAD AND GVWR.

4. Loaded vehicles require at least 25 PSI or more. A “loaded vehicle” refers to a vehicle with a heavy bed load, a trailer, or both. As discussed above, never exceed GVWR, regardless of air spring, air pressure, or other load assist. The springs in this kit will support approximately 40 lbs. of load (combined on both springs) for each 1 PSI of pressure. The required air pressure will vary depending on the state of the original suspension. Operating the vehicle below the minimum air spring pressure will void the Air Lift warranty.
5. When increasing load, always adjust the air pressure to maintain the normal ride height. Increase or decrease pressure from the system as necessary to attain normal ride height for optimal ride and handling. Remember that loads carried behind the axle (including tongue loads) require more leveling force (pressure) than those carried directly over the axle.
6. Always add air to springs in small quantities, checking the pressure frequently.
7. Should it become necessary to raise the vehicle by the frame, make sure the system is at minimum pressure (5 PSI) to reduce the tension on the suspension/brake components. Use of on board leveling systems do not require deflation or disconnection.
8. Periodically check the air spring system fasteners for tightness. Also, check the air springs for any signs of rubbing. Realign if necessary.
9. On occasion, give the air springs a hard spray with a garden hose in order to remove mud, sand, gravel or other abrasive debris.

Troubleshooting Guide

1. Leak test the air line connections, the threaded connection into the air spring, and all fittings in the control system.
2. Inspect the air lines to be sure none are pinched. Tie straps may be too tight. Loosen or replace the strap and replace leaking components.
3. Inspect the air line for holes and cracks. Replace as needed.
4. Look for a kink or fold in the air line. Reroute as needed.

If the preceding steps do not solve the problem, it is possibly caused by a failed air spring — either a factory defect or an operating problem. Please call Air Lift at (800) 248-0892 for assistance.

Frequently Asked Questions

Q. Will installing air springs increase the weight ratings of a vehicle?

No. Adding air springs will not change the weight ratings (GAWR, GCWR and/or GVWR) of a vehicle. Exceeding the GVWR is dangerous and voids the Air Lift warranty.

Q. Is it necessary to keep air in the air springs at all times and how much pressure will they need?

The minimum air pressure should be maintained at all times. The minimum air pressure keeps the air spring in shape, ensuring that it will move throughout its travel without rubbing or wearing on itself.

Q. Is it necessary to add a compressor system to the air springs?

No. Air pressure can be adjusted with any type of compressor as long as it can produce sufficient pressure to service the springs. Even a bicycle tire pump can be used, but it's a lot of work.

Q. How long should air springs last?

If the air springs are properly installed and maintained they can last indefinitely.

Q. Will raising the vehicle on a hoist for service work damage the air springs?

No. The vehicle can be lifted on a hoist for short-term service work such as tire rotation or oil changes. However, if the vehicle will be on the hoist for a prolonged period of time, support the axle with jack stands in order to take the tension off of the air springs.

Tuning the Air Pressure

Pressure determination comes down to three things — level vehicle, ride comfort, and stability.

1. Level vehicle

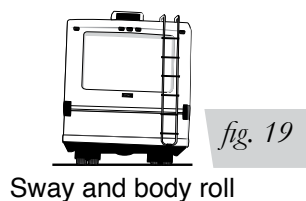
If the vehicle's headlights are shining into the trees or the vehicle is leaning to one side, then it is not level (fig. 17). Raise the air pressure to correct either of these problems and level the vehicle.

2. Ride comfort

If the vehicle has a rough or harsh ride it may be due to either too much pressure or not enough (fig. 18). Try different pressures to determine the best ride comfort.

3. Stability

Stability translates into safety and should be the priority, meaning the driver may need to sacrifice a perfectly level and comfortable ride. Stability issues include roll control, bounce, dive during braking and sponginess (fig. 19). Tuning out these problems usually requires an increase in pressure.

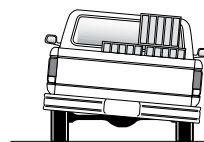


Guidelines for Adding Air

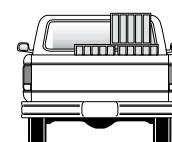
1. Start with the vehicle level or slightly above.
2. When in doubt, always add air.
3. For motorhomes, start with 50-100 PSI in the rear because it can be safely assumed that it is heavily loaded.
4. If the front of the vehicle dives while braking, increase the pressure in the front air bags, if equipped.
5. If it is ever suspected that the air bags have bottomed out, increase the pressure (fig. 20).
6. Adjust the pressure up and down to find the best ride.
7. If the vehicle rocks and rolls, adjust the air pressure to reduce movement.
8. It may be necessary to maintain different pressures on each side of the vehicle. Loads such as water, fuel, and appliances will cause the vehicle to be heavier on one side (fig. 21). As much as a 50 PSI difference is not uncommon.



Bottoming out

fig. 20

Unlevel



Level

fig. 21

Warranty and Returns Policy

Air Lift Company warrants its products, for the time periods listed below, to the original retail purchaser against manufacturing defects when used on catalog-listed applications on cars, vans, light trucks and motorhomes under normal operating conditions for as long as Air Lift manufactures the product. The warranty does not apply to products that have been improperly applied, improperly installed, used in racing or off-road applications, used for commercial purposes, or which have not been maintained in accordance with installation instructions furnished with all products. The consumer will be responsible for removing (labor charges) the defective product from the vehicle and returning it, transportation costs prepaid, to the dealer from which it was purchased or to Air Lift Company for verification.

Air Lift will repair or replace, at its option, defective products or components. A minimum \$10.00 shipping and handling charge will apply to all warranty claims. Before returning any defective product, you must call Air Lift at (800) 248-0892 in the U.S. and Canada (elsewhere, (517) 322-2144) for a Returned Materials Authorization (RMA) number. Returns to Air Lift can be sent to: Air Lift Company • 2727 Snow Road • Lansing, MI • 48917.

Product failures resulting from abnormal use or misuse are excluded from this warranty. The loss of use of the product, loss of time, inconvenience, commercial loss or consequential damages is not covered. The consumer is responsible for installation/reinstallation (labor charges) of the product. Air Lift Company reserves the right to change the design of any product without assuming any obligation to modify any product previously manufactured.

This warranty gives you specific legal rights and you may also have other rights that vary from state-to-state. Some states do not allow limitations on how long an implied warranty lasts or allow the exclusion or limitation of incidental or consequential damages. The above limitation or exclusion may not apply to you. There are no warranties, expressed or implied including any implied warranties of merchantability and fitness, which extend beyond this warranty period. There are no warranties that extend beyond the description on the face hereof. Seller disclaims the implied warranty of merchantability. (Dated proof of purchase required.)

Air Lift 1000.....	Lifetime Limited	LoadController/Dual	2 Year Limited
RideControl.....	Lifetime Limited	Load Controller (I)	2 Year Limited
LoadLifter 5000*.....	Lifetime Limited	Load Controller (II)	2 Year Limited
SlamAir	Lifetime Limited	SmartAir	2 Year Limited
AirCell.....	Lifetime Limited	Wireless AIR.....	2 Year Limited
Lifestyle & Performance**	1 Year Limited	WirelessONE	2 Year Limited
LoadController/Single	2 Year Limited	Other Accessories.....	2 Year Limited

**formerly SuperDuty*
***formerly EasyStreet*

Contact Information

If you have any questions, comments or need technical assistance contact our customer service department by calling (800) 248-0892, Monday through Friday. For calls from outside the USA or Canada, our local number is (517) 322-2144.

For inquiries by mail, our address is PO Box 80167, Lansing, MI 48908-0167. Our shipping address for returns is 2727 Snow Road, Lansing, MI 48917.

You may also contact us anytime by e-mail at sales@airliftcompany.com or on the web at www.airliftcompany.com.



Notes

Need Help?

Contact our customer service department by calling (800) 248-0892, Monday through Friday. For calls from outside the USA or Canada, our local number is (517) 322-2144.

**Register your warranty online at
www.airliftcompany.com/warranty**



Thank you for purchasing Air Lift products — the professional installer's choice!

Air Lift Company • 2727 Snow Road • Lansing, MI 48917 or PO Box 80167 • Lansing, MI 48908-0167
Toll Free (800) 248-0892 • Local (517) 322-2144 • Fax (517) 322-0240 • www.airliftcompany.com

Printed in
the USA