

IMPORTANT SAFETY GUIDE: READ CAREFULLY BEFORE USING THIS APPLIANCE

Please follow all the precautions listed below for safety and to reduce the risk of fire, injury or electrical shock.

- Read all the instructions before operating the iron and keep them for future reference. If you pass the product on to a third party, include these instructions.
- Unplug the iron from the mains supply when not in use, and before emptying, filling, or cleaning.
- Do not touch the soleplate of the iron if it is hot.
- Always hold the appliance by the handle.
- Keep the appliance well away from surfaces and objects that can be damaged by heat.
- Ensure there is adequate room to operate the iron.
- Ensure that the iron cannot fall into water.
- Do not immerse the connecting cord in any liquid.
- Do not let the connecting cord overhang the edge of the work surface or allow it to touch hot surfaces or sources of heat or flame.
- If any part of this appliance is damaged or malfunctions in any way, or the connecting cord or mains plug is broken do not continue to use it. Seek expert assistance.
- Do not use the iron if water is leaking from it.
- Parents must warn children not to touch hot appliance parts. Close supervision is necessary when an appliance is used near children.
- Small children should not use this appliance.
- Do not leave the iron face down at any time. Stand it upright on its heel, on a level heatproof surface.
- Do not use outdoors or in damp or wet conditions.
- When placing the iron on its stand, ensure that the surface on which the stand is placed is stable.
- Do not use this iron for professional laundry

services.

- Do NOT use this appliance for any purpose not covered by the instructions.
- Use caution when turning the iron upside down, there may be hot water in the water tank.
- Use this iron only with a purpose-built ironing board.
- Observe all ironing instructions and ironing temperature dot settings given by the garment manufacturer. These are normally on a label or labels inside the garment.
- This appliance is not intended for use by persons (including children) with reduced physical, sensory or mental capabilities, or lack of experience and knowledge, unless they have been given supervision or instruction concerning use of this appliance by a person responsible for their safety.

THE IRON MUST NOT BE LEFT UNATTENDED WHILE IT IS CONNECTED TO THE SUPPLY MAINS.

DO NOT USE THIS IRON IF IT IS DROPPED, HAS VISIBLE SIGNS OF DAMAGE OR IS NOT WATERTIGHT.

ELECTRICAL INFORMATION

- Before using this appliance ensure that the voltage of your electricity supply is the same as that indicated on the appliance.
- The means of disconnecting this appliance from the mains supply is the mains plug. This should be unobstructed and readily operable at all times
- **This appliance must be earthed.**

SPECIFICATIONS

Voltage Rating: 220 -240V AC, 50Hz

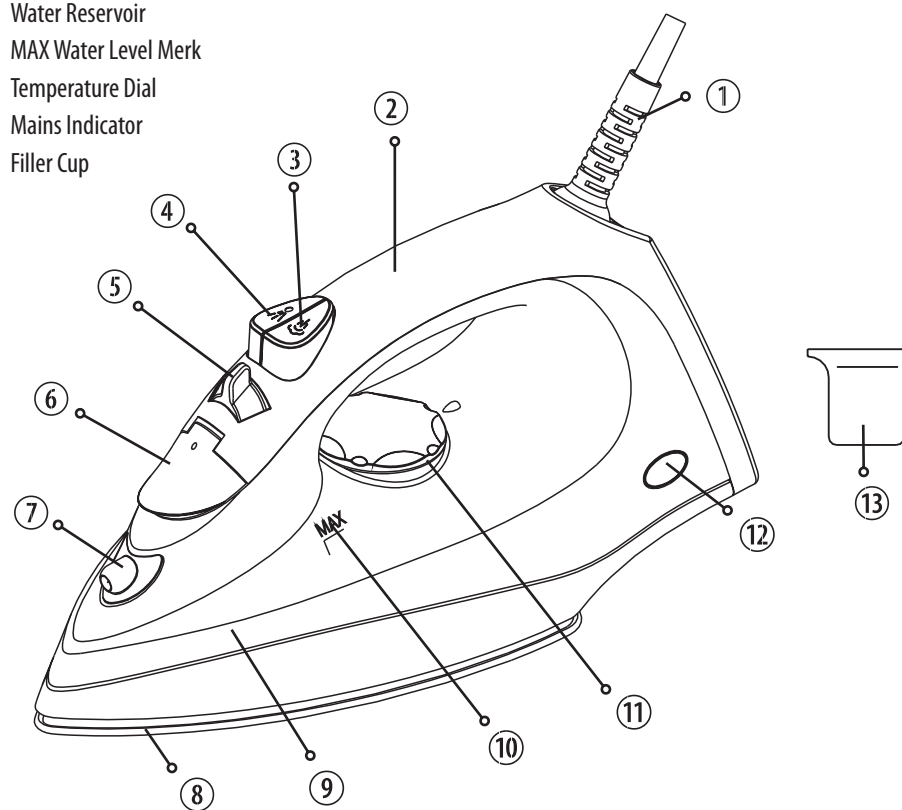
Power Consumption: 1300W (1.3kW) max

Net Weight: 801 g



MAIN COMPONENTS

1. Cord Grip
2. Handle
3. "Shot of Steam" Button
4. Spray Button
5. Steam Control
6. Water Filler & Cap
7. Spray Nozzle
8. Iron Soleplate
9. Water Reservoir
10. MAX Water Level Merk
11. Temperature Dial
12. Mains Indicator
13. Filler Cup



**BURNS CAN OCCUR FROM TOUCHING HOT METAL PARTS, HOT WATER OR STEAM.
EXERCISE CARE WHEN HANDLING THIS APPLIANCE!**

USING THE IRON

Preliminaries

Unpack the iron carefully. If you dispose of the packaging, do so having regard to any recycling regulations in your area.

The packaging contains:

- One Tesco iron
- One filler cup

If any item is missing or damaged please contact the Tesco store where you purchased the item, or your nearest Tesco store. Please have your receipt ready when you call.

Ironing Temperatures

Check the ironing instructions attached to the article (they are on a label showing a symbol of an iron). Always follow these ironing instructions. The indications on the iron's temperature dial and the table below will help you.

If there are no ironing instructions but you know the fabric, then use the table below. The table is valid only for the actual materials and does not take account of any finish applied to the fabric. Textiles to which a finish has been applied (wrinkle relief, printed T shirts etc.) should be ironed at lower temperatures.

If the fabric contains mixed fibres, select the lowest ironing temperature of the composition, e.g. iron a 60% polyester /40% cotton mix at the temperature indicated for polyester.

- Do not iron
- Synthetics. Set Iron to LOW (•)
- Wool, Silk. Set Iron to MEDIUM (••)
- Cotton, Linen. Set Iron to HIGH (•••)

The iron heats up quicker than it cools down. Sort fabrics to be ironed into groups according to temperature; wool with wool, cotton with cotton, etc. Start by ironing articles requiring low temperature settings and progress to higher ones.

Note: Do not iron garments that are dirty or stained. The iron's heat may set the stain.

Pure (100%) wool fabrics may be pressed with the iron set to a steam position and the garment protected by a dry cloth.

Using the Iron

Before using the iron:

Inspect the iron carefully.

Check that the voltage marked on the rating plate matches your mains voltage.

Remove any protective film from the soleplate. Polish the soleplate lightly with a clean soft cloth to remove any residues.

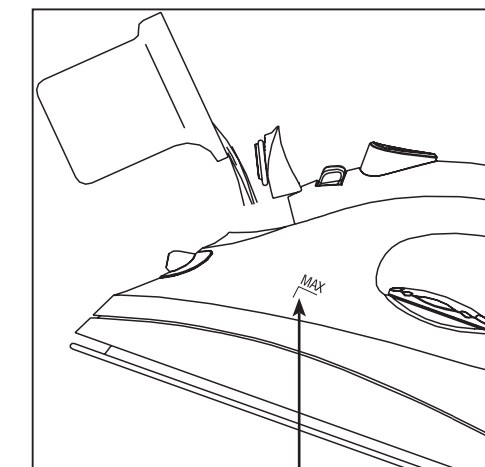
Important Note: Maintaining the finish of the iron's soleplate is essential. Keep the soleplate smooth: do not scratch it on metal objects (e.g. the edge of the ironing board, buttons, zippers, etc.) as these may impair performance.

Filling the Iron

Make sure the iron is unplugged from the mains.

Set the **Steam Control** to OFF (extreme left position).

Open the water filler. Tip the iron up slightly and fill it carefully with fresh water using the supplied filler cup.



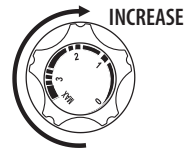
Do not fill the iron above the MAX mark indicated on the side of the iron.

If you live in a hard water area, it is advisable to use distilled or de-mineralised water. Avoid using water containing softeners, perfumes or additives.

Operation

- Ensure the mains socket is switched off at the wall and the Steam Control is OFF (see previous page).
- Fill the iron with water as described above.
- Place the iron on its heel on the ironing board rest and connect the power cord to the wall socket.
- Switch on the power. The pilot light will illuminate.
- Select the correct temperature.

Turn clockwise to increase and anticlockwise to reduce temperature.

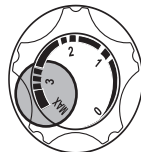


Note: Some parts have been lightly greased and the iron might smoke slightly when switched on for the first time. After a short while, this will cease. We recommend passing the iron over a clean cotton cloth before using it for the first time.

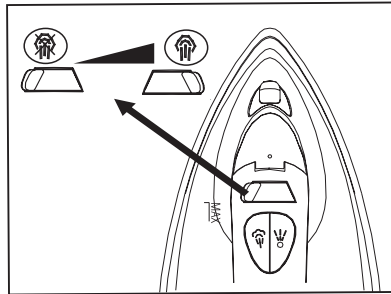
The pilot light will turn 'OFF' when the indicated setting reaches the correct temperature. The iron is now ready for use. During use the indicator will come on and off as the thermostat maintains the iron at the correct temperature setting.

Steam Ironing

Steam Ironing should be carried out at the highest settings on the temperature dial. Steam ironing at lower temperatures may cause water to leak from the soleplate.



The quantity of steam is regulated by the **Steam Control**. Move the steam selector to a suitable position depending on the quantity of steam required and the ironing temperature.

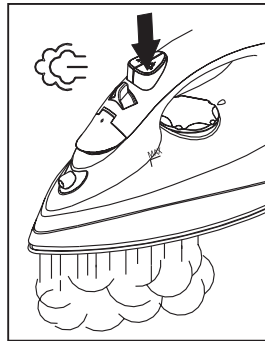


Warning: the iron gives off steam continuously only if you hold the iron horizontally. You can stop the continuous steam by placing the iron in a vertical position or by moving the steam selector to "0".

Shot of Steam Button

This feature may be used during steam or dry ironing but only when the iron is at highest settings.

Press the Shot of Steam button to release a powerful surge of steam. You may need to press the button a few times to prime the system. Wait a few seconds for the steam to penetrate the fabric before pressing the button again.



Use no more than 3 bursts at any one time.

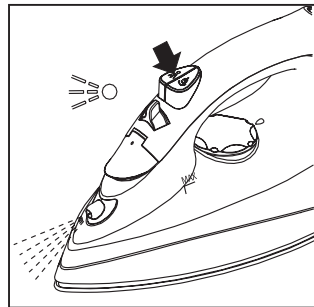
Excessive use of this feature will cause the iron to cool, and the pilot light will illuminate. If this happens, wait for the pilot light to go out before using the feature again.

Spray Button

Press the spray button to spray water on the material. It may be used for steam or dry ironing.

Note:

To avoid staining, do not use the spray on silk or synthetics, and be very careful when you iron delicate fabrics.



Note: For Spray and Shot of Steam functions to operate, the water tank must be at least one-quarter full. If these features stop working, stand the iron on its heel and fill the water tank.

During Ironing:

In between operations and when filling the iron always stand the iron on its heel. NEVER leave the iron face down.

After you have finished ironing:

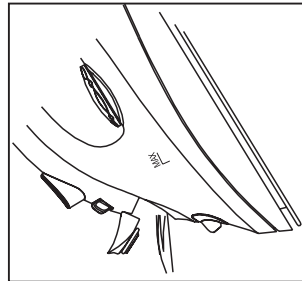
Switch the iron off at the mains and unplug.

Stand the iron on its heel and let the iron cool down fully.

When the iron is cool:

Invert the iron, open the filler and pour away the excess water from the tank.

When pouring away the water, gently shake the iron to remove any loose particles from the tank.



Care and Cleaning

After use, unplug the iron from the mains and allow it to cool down fully. **Cleaning:**

To remove starch or other deposits from the soleplate, apply a small amount of mild cleaner to a damp cloth, forming a paste on the cloth. Gently rub the soleplate, then wipe with a moist cloth.

The body of the iron may now be cleaned with a barely damp

cloth and then dried thoroughly. Do not wet the appliance body, cord or mains plug.

CAUTION: Never use scouring pads, abrasives or harsh cleaners on the iron body or the soleplate as this may scratch the surface.

Storage:

When not in use the iron should be securely stored out of the reach of children. Store the iron on its heel with the cord loosely looped around the body. Do NOT store the iron on its soleplate or you may damage the finish.

Warranty

Your TESCO iron is covered by a warranty for 12 months from the date of purchase. If a fault develops during this period, please return the unit to your nearest Tesco store together with the original receipt as proof of purchase. This warranty in no way affects your consumer rights.

UK: Waste electrical products should not be disposed of with household waste. Separate disposal facilities exist, for your nearest facilities. See www.recycle-more.co.uk or in-store for details.

ROI: Produced after 13th August 2005. Waste electrical products should not be disposed of with household waste. Please recycle where facilities exist. Check with your Local Authority or retailer for recycling advice.

