

Sunbeam^{®/MD}

Instruction Manual **Professional Iron**
Notice d'emploi **Fer professionnel**

**MODELS/
MODÈLES 4267-33 & 4265-33**



e

IMPORTANT SAFEGUARDS

When using electrical appliances, basic safety precautions should always be followed including the following:

READ ALL INSTRUCTIONS BEFORE USE

- Use iron only for its intended use.
- To protect against risk of electric shock, do not immerse the iron in water or other liquids.
- The iron should always be set to the off position with the fabric setting button before plugging and unplugging. Never yank cord to disconnect from outlet; instead, grasp plug and pull to disconnect.
- Do not allow cord to touch hot surfaces. Let iron cool completely before putting away. Loop cord loosely around iron when storing.
- Always disconnect iron from electrical outlet when filling with water or emptying and when not in use.
- Do not operate iron with a damaged cord or if the iron has been dropped or damaged. To avoid the risk of electric shock, do not disassemble the iron. Take it to an authorized service center for examination and/or repair. Incorrect reassembly can cause a risk of electric shock when the iron is used.
- Close supervision is necessary for any appliance being used by or near children. Do not leave iron unattended while plugged in or turned on or on an ironing board.
- Burns can occur from touching hot metal parts, hot water or steam. Use caution when you turn a steam iron upside down – there may be hot water in the reservoir.
- If the iron is not operating normally, disconnect from the power supply and have the iron serviced by an authorized service center. Or call Customer Service at 1 800 667-8623.
- Your SUNBEAM® iron is designed to rest on the heel rest. Do not leave the iron unattended. Do not set the iron on an unprotected surface, even if it is on its heel rest.

SPECIAL INSTRUCTIONS

- This is a 1400-Watt appliance. To avoid a circuit overload, do not operate another high wattage appliance on the same circuit.
- If an extension cord is absolutely necessary, a 15-ampere cord should be used. Cords rated for less amperage may overheat. Care should be taken to arrange the extension cord so that it cannot be pulled or tripped over.

FOR PRODUCTS PURCHASED IN THE UNITED STATES AND CANADA

To reduce the risk of electrical shock, this appliance has a polarized plug (*one blade is wider than the other*). This plug fits a polarized outlet only one way; if the plug does not fit fully into the outlet, reverse the plug. If it still does not fit, contact a qualified electrician. Do not attempt to defeat this safety feature.

SAVE THESE INSTRUCTIONS

IRONING GUIDE

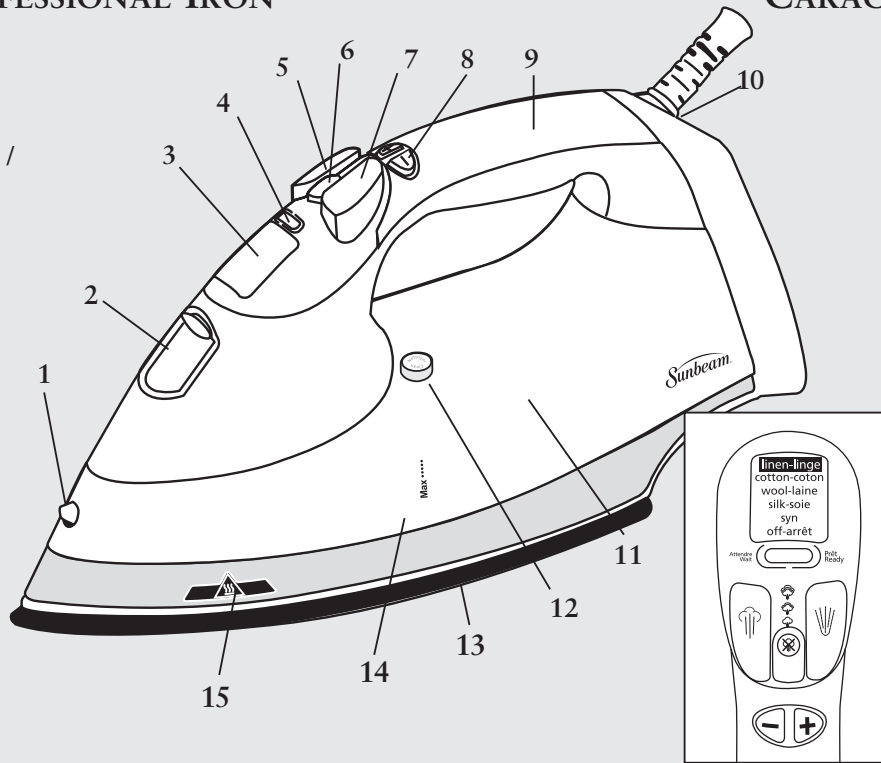
FABRIC	SUGGESTED STEAM SETTING	FABRIC SELECT DIAL SETTING	IRONING RECOMMENDATIONS
Acrylic	Off (Dry)	Synthetic	Iron garment inside out.
Acetate	Off (Dry)	Synthetic	Iron garment inside out while still damp.
Polyester	Off (Dry)	Synthetic	Iron garment inside out while still damp.
Rayon	Off (Dry)	Synthetic	Iron garment inside out.
Silk	Off (Dry)	Silk	Iron garment inside out. Use an ironing cloth* to prevent shine marks.
Viscose	Off (Dry)	Silk	Mainly dry iron; steam may be used under garment manufacturer's instructions.
Nylon	Off (Dry)	Silk	Iron garment inside out while still damp.
Wool	☁ (Steam)	Wool	Iron garment inside out or use an ironing cloth.*
Wool Blends	☁ (Steam)	Wool	Iron garment inside out or use an ironing cloth.*
Cotton Blends	☁-☁☁ (Steam)	Cotton	Follow garment manufacturer's instructions. Use setting for the fiber requiring the lowest setting.
Corduroy	☁-☁☁ (Steam)	Cotton	Iron garment inside out or use an ironing cloth* and then brush the garment with your hand to raise the texture of the fabric.
Cotton	☁☁-☁☁☁ (Steam)	Cotton	Iron dark fabrics inside out to prevent shine marks.
Linen	☁☁-☁☁☁ (Steam)	Linen	Iron garment inside out or use an ironing cloth* to prevent shine marks <i>(especially on dark fabrics)</i> .
Denim	☁☁-☁☁☁ (Steam)	Linen	Use the SPRAY MIST® feature and/or the SHOT OF STEAM® BUTTON for deeper penetration to remove wrinkles.

**An ironing cloth is a cotton, dry-cleaned cloth that you place over the garment you are ironing to prevent the fabric from looking shiny.*

Note: Some fabrics may require more steam than others. Your iron has the capability to adjust steam as needed.

FEATURES OF YOUR PROFESSIONAL IRON

1. Spray Mist® Release
2. Covered Water Fill Hole
3. Backlit Digital Electronic Display
4. Auto-Off Indicator / Wait/Ready / Light
5. SPRAY MIST® Button
6. Steam Selection Slide
7. SHOT OF STEAM® Button/ Vertical Steam Button
8. Fabric Select Buttons
9. Soft Grip Handle
10. 360° Tangle-Free Swivel Cord
11. See-Through Water Reservoir
12. Self-Clean Button
13. MicroGlide™ Soleplate
(Model 4265-33 only)
Stainless Steel Soleplate
(Model 4267-33 only)
14. Maximum Fill Line
15. Storage Strip® Indicator
(Model 4265-33 only)



CARACTÉRISTIQUES DU FER PROFESSIONNEL

1. Orifice d'atomisation Spray Mist^{MD}
2. Orifice de remplissage à volet
3. Afficheur électronique rétroéclairé
4. Indicateur d'arrêt automatique / voyant Wait/Ready (attendre/prêt)
5. Bouton d'atomisation SPRAY MIST^{MD}
6. Curseur de débit de vapeur
7. Bouton jet de vapeur SHOT OF STEAM^{MD} et vaporisation verticale
8. Touche de sélection des textiles
9. Poignée à prise douce
10. Cordon articulé 360°, non emmêlant
11. Réservoir translucide
12. Bouton d'autonettoyage
13. Semelle MicroGlide^{MC}
(modèle 4265-33 seulement)
Semelle en acier inoxydable
(Modèle 4267-33 seulement)
14. Repère maximal de remplissage
15. Indicateur de rangement Storage Strip^{MD}
(modèle 4265-33 seulement)

*Toggle up to
desired fabric and
wait for red light
to turn green.*

*Faites basculer
au textile voulu
puis attendez que
le voyant rouge
tourne au vert.*

TO FILL THE WATER RESERVOIR

1. Make sure the iron is unplugged. Set the Steam Selection Slide to OFF (Dry).
2. Slide open the Water Fill Hole Cover.
3. Fill water cup with water. Pour water into iron water reservoir. Do not fill water reservoir beyond maximum fill line.

Warning: To prevent the risk of burns, be careful when filling a hot iron with water. Hot metal parts, hot water and steam can cause injuries.

SELECTING FABRIC SETTINGS

To select a fabric setting, (*Figure A*) press the (- +) Fabric Select button until the desired fabric is highlighted. The Wait light will glow red while the iron heats up. The light will then change to green (Ready) when the iron is ready to use.

DRY IRONING

1. Make sure the Steam Selection Slide is turned to the OFF (Dry) setting.
2. Plug the cord into a 120-Volt AC outlet.
3. Select Fabric Setting.

Note: While the Steam Selection Slide is turned to the OFF (Dry) setting, you may still use the SHOT OF STEAM® feature or SPRAY MIST® feature. Please make sure the water reservoir is at least 1/4 full of water.

Tip: Refer to the Ironing Guide for the recommended setting for your fabric.

STEAM IRONING

1. Follow the instructions for “To Fill the Water Reservoir”.
2. Plug the cord into a 120-Volt AC outlet.
3. Select Fabric Setting.
4. Allow the iron to heat for 2 minutes, and then turn the Steam Selection Slide to the appropriate setting.

Tip: Refer to the Ironing Guide for the recommended setting for your fabric.

Important: When not ironing, always set the Steam Selection Slide to OFF (Dry).

USING THE IRON'S SPECIAL FEATURES

SPRAY MIST® FEATURE

The Spray Mist® feature is a powerful water spray mist that dampens the fabric to aid in removing wrinkles from heavy fabrics and for setting creases.

TO USE THE SPRAY MIST® FEATURE:

Press the Spray Mist® button firmly. Iron over the fabric to dry.

SHOT OF STEAM® FEATURE

The Shot of Steam® feature provides an extra burst of steam for deep penetration of stubborn wrinkles. You can use this feature while Dry or Steam ironing, but the water reservoir must be at least 1/4 full of water.

TO USE THE SHOT OF STEAM® FEATURE:

Place the iron on top of the wrinkle and press the Shot of Steam® button each time you would like an extra burst of steam. The Shot of Steam® feature may be used continuously with just a short 3 second pause between shots.

VERTICAL STEAM

The vertical steam feature allows your iron to function as a garment steamer.

Tip: When using the vertical steam on clothing, hang the clothing on a clothes hanger for best results. Hanging curtains and drapes may also be steamed.

TO USE VERTICAL STEAM:

1. Make sure that the iron has heated up (2 minutes).
2. Hold the iron in a vertical position, with the iron close to but not touching the fabric you want to steam.
3. With your other hand, pull the fabric tight.
4. Press the Shot of Steam® button for approximately 3-second intervals as you move the iron across the wrinkled area.

WARNING: To prevent the risk of burns, keep your hand away from the area being steamed.

WARNING: DO NOT steam garments while wearing them; this may result in injuries.

3-WAY MOTION SMART™ AUTO-OFF FEATURE

When the iron is plugged in and the Auto-Off is activated, the OFF selection on the digital display and the red Wait light will blink, indicating that the iron has stopped heating. The Auto-Off is activated if not moved after 30 seconds in the ironing position and on its side, and after 15 minutes in the upright position. Five (5) minutes after the Auto-Off has been activated, in any position, the iron display and all lights will turn totally OFF.

If you leave the iron:

- In a horizontal position without moving it, or accidentally tip the iron over, it will automatically stop heating after 30 seconds. The OFF selection on the digital display and the red Wait light blink to let you know that the iron has stopped heating.
- In a vertical position (on its heel rest) without moving it, the iron will automatically turn off after 15 minutes. The OFF selection on the digital display and the red Wait light blink to let you know that the iron has stopped heating.

Important: The OFF selection on the digital display and the red Wait light will continue to blink for 5 minutes, then turn totally OFF.

To reset the iron:

- Move the iron back and forth. The OFF selection on the digital display and the red Wait light will stop blinking and the iron will start heating again (allow it to reheat for 2 minutes); the desired fabric setting will be highlighted.
- Press the (- +) Fabric Select button, the digital display and red Wait light will illuminate, indicating power has been restored to the iron (*the desired fabric setting will still be selected*). Wait for the light to turn GREEN before ironing.

WARNING: The MOTION SMART™ Auto-Off is a safety feature, not a recommended means for turning your iron off. See “Caring for Your Iron After Use” for information on turning off your iron and storing it safely between use.

WARNING: NEVER yank the power cord when unplugging the iron. This can damage the cord.

WAIT/READY LIGHT

Indicates when your iron reaches the desired temperature. When a fabric setting has been selected the red Wait light illuminates. Once the iron heats up to the desired fabric selection, the light will change from red (Wait) to green (Ready). This occurs each time the fabric setting is changed. It will also occur when the iron has been reset after the Auto-Off is deactivated.

ANTI-CALCIUM SYSTEM

The Anti-Calcium System is a permanent system located inside the water reservoir. This system removes calcium from the water and reduces calcium build-up on the soleplate.

MICROGLIDE™ SOLEPLATE (MODEL 4265-33 ONLY)

Provides superior glide over Non-stick and Stainless Steel for quick and easier ironing.

DRIP-FREE

Produces steam without any dripping, spitting, or leaking through the soleplate, even at low temperatures.

STORAGE STRIP® INDICATOR (model 4265-33 only)

The STORAGE STRIP® indicator is an easy way to see when the iron is cool enough to store.

TO USE THE STORAGE STRIP® INDICATOR:

Turn iron on. In approximately 2 minutes, the STORAGE STRIP® indicator will turn from black to red, indicating that the iron is too hot to store. When the iron is turned off, it will take the iron approximately 30 - 40 minutes for the STORAGE STRIP® indicator to turn from red to black, indicating that the iron is cool enough to store.

Caution: The STORAGE STRIP® indicator should only be used as a guideline. The iron should always be handled and stored with care.

CARING FOR YOUR IRON AFTER USE

TURNING OFF YOUR IRON

1. Unplug the iron from the power source.

WARNING: NEVER yank the power cord when unplugging the iron. This can damage the cord.

STORING YOUR IRON

1. Allow the iron to cool. (Model 4265-33 only: Wait for the Storage Strip® indicator to return to its original black color, indicating that the iron is cool enough to store.)
2. If you do not use your iron on a daily basis, empty the water reservoir after each use for a longer iron life. To do so, unplug the iron, turn the iron upside down, open the fill hole cover, and allow water to flow from the fill hole. Shake the iron gently to remove trapped water drops.
3. Loosely loop the power cord around the heel rest and store the iron on its heel rest.

Important: Wrapping the cord around the iron too tightly can damage the cord.

Tip: When not ironing, always set the Steam Selection Slide to OFF (Dry).

MAINTAINING YOUR PROFESSIONAL IRON

CLEANING THE SOLEPLATE

Clean the soleplate if starch or other residue accumulate.

TO CLEAN THE SOLEPLATE:

1. Unplug the iron. Allow the iron to cool and then wipe it with a soft, damp cloth.

WARNING: DO NOT use abrasive cleansers, scouring pads or vinegar to clean the soleplate. This will damage the finish.

2. Run the iron over an all-cotton cloth to remove any residue.

USING THE SELF-CLEANING FEATURE

You should use the Self-Cleaning feature once a month to maintain the optimal performance of your iron.

TO USE THE SELF-CLEANING FEATURE:

1. Unplug the iron. Move the Steam Selection Slide back and forth several times to remove debris and minerals from the Steam Valve. This keeps water flowing into the steam chamber.
2. Fill the water reservoir with tap water to the MAX line.
3. Plug in the iron and press Fabric Select button to Linen, and allow the iron to heat until the Wait light turns GREEN.
4. Unplug the iron.
5. Hold the iron over a sink in a horizontal position.

WARNING: Be careful not to touch the iron's hot surfaces.

6. Press the Self-Clean button and hold. Water will begin dripping from the steam vents. Slowly rock the iron side to side and front to back for 30 seconds. When rocking the iron, dip the nose of the iron slightly below the rear of the iron to make certain the water circulates completely.
7. Turn the iron upside down and allow the remaining water to flow out of the fill hole.
8. Dry the soleplate with a towel.
9. Plug in the iron and press the Fabric Select button to Linen. Let the iron heat until the Wait light turns GREEN and dry out the iron completely.
10. Press the Fabric Select button to OFF. The lights will go out, indicating that the iron has turned itself off. Unplug the iron and allow it to cool.

CLEANING THE ANTI-CALCIUM SYSTEM

The professional iron houses an anti-calcium filter in the reservoir, which eliminates impurities from the water.

TO PROLONG THE EFFICIENCY OF THIS FILTER:

1. Unplug the iron and allow it to cool.
2. Locate the water cup that accompanied the iron and fill it with water. Add 1 teaspoon of salt to the water and fill the water reservoir with this solution.
3. Leave the solution in the water reservoir for 15 minutes, then empty it.
4. Fill the water reservoir a second time with the salt water solution and empty it again after 15 minutes.
5. Fill the tank with fresh water to rinse and empty.

The Anti-Calcium System should be cleaned approximately once a month.

IRONING TIPS

- Always read garment labels and follow the manufacturer's ironing instructions.
- Sort the articles to be ironed according to the type of fabric.
- You should first iron garments requiring low temperature (*e.g., silks and synthetics*) to avoid damaging them with an iron that is too hot.
- If you are unsure of the fabric content of the garment, test a small area, such as a seam or facing, before ironing a visible area. Start with a low temperature and gradually increase the heat to find the best setting.
- When changing the temperature from a high setting to a low setting, allow approximately 5 minutes for the lower temperature to be reached.
- When steam ironing, use long, slow passes over the fabric. This will allow the steam to penetrate the fabric while allowing the heat of the soleplate to dry out the moisture.
- To iron linens, turn garment inside out. Be careful not to use an iron that is too hot because the lining may melt or stick to the soleplate.
- To iron zippers, use an ironing cloth or make sure the zipper is closed and iron over the flap. Never iron directly over an unprotected zipper.
- Use the Ironing Guide to select the best setting and method for the fabric you plan to iron.

1 Year Limited Warranty

Sunbeam Products, Inc. doing business as Jarden Consumer Solutions or if in Canada, Sunbeam Corporation (Canada) Limited doing business as Jarden Consumer Solutions (collectively “JCS”) warrants that for a period of one year from the date of purchase, this product will be free from defects in material and workmanship. JCS, at its option, will repair or replace this product or any component of the product found to be defective during the warranty period. Replacement will be made with a new or remanufactured product or component. If the product is no longer available, replacement may be made with a similar product of equal or greater value. This is your exclusive warranty. Do NOT attempt to repair or adjust any electrical or mechanical functions on this product. Doing so will void this warranty.

This warranty is valid for the original retail purchaser from the date of initial retail purchase and is not transferable. Keep the original sales receipt. Proof of purchase is required to obtain warranty performance. JCS dealers, service centers, or retail stores selling JCS products do not have the right to alter, modify or any way change the terms and conditions of this warranty.

This warranty does not cover normal wear of parts or damage resulting from any of the following: negligent use or misuse of the product, use on improper voltage or current, use contrary to the operating instructions, disassembly, repair or alteration by anyone other than JCS or an authorized JCS service center. Further, the warranty does not cover: Acts of God, such as fire, flood, hurricanes and tornadoes.

What are the limits on JCS’s Liability?

JCS shall not be liable for any incidental or consequential damages caused by the breach of any express, implied or statutory warranty or condition.

Except to the extent prohibited by applicable law, any implied warranty or condition of merchantability or fitness for a particular purpose is limited in duration to the duration of the above warranty.

JCS disclaims all other warranties, conditions or representations, express, implied, statutory or otherwise.

JCS shall not be liable for any damages of any kind resulting from the purchase, use or misuse of, or inability to use the product including incidental, special, consequential or similar damages or loss of profits, or for any breach of contract, fundamental or otherwise, or for any claim brought against purchaser by any other party.

Some provinces, states or jurisdictions do not allow the exclusion or limitation of incidental or consequential damages or limitations on how long an implied warranty lasts, so the above limitations or exclusion may not apply to you.

This warranty gives you specific legal rights, and you may also have other rights that vary from province to province, state to state or jurisdiction to jurisdiction.

How to Obtain Warranty Service

In the U.S.A.

If you have any question regarding this warranty or would like to obtain warranty service, please call 1.800.458.8407 and a convenient service center address will be provided to you.

In Canada

If you have any question regarding this warranty or would like to obtain warranty service, please call 1.800.667.8623 and a convenient service center address will be provided to you.

In the U.S.A., this warranty is offered by Sunbeam Products, Inc. doing business as Jarden Consumer Solutions located in Boca Raton, Florida 33431. In Canada, this warranty is offered by Sunbeam Corporation (Canada) Limited doing business as Jarden Consumer Solutions, located at 20 B Hereford Street, Brampton, Ontario L6Y 0M1. If you have any other problem or claim in connection with this product, please write out Consumer Service Department

PLEASE DO NOT RETURN THIS PRODUCT TO ANY OF THESE ADDRESSES
OR TO THE PLACE OF PURCHASE



For product questions:
Jarden Consumer Service
Canada : 1.800.667.8623
USA : 1.800.458.8407
www.sunbeam.com

©2013 Sunbeam Products, Inc. doing business as Jarden Consumer Solutions.
All rights reserved.

In the U.S., distributed by Sunbeam, Products, Inc.
doing business as Jarden Consumer Solutions, Boca Raton, FL 33431
In Canada, imported and distributed by Sunbeam Corporation (Canada) Limited
doing business as Jarden Consumer Solutions,
20B Hereford Street, Brampton, Ontario L6Y 0M1.

Pour toute question en ce qui concerne ce produit, appelez le
service à la clientèle de Jarden
Canada: 1 800 667.8623
États-Unis: 1 800 458.8407
www.sunbeam.com

©2013 Sunbeam Products, Inc., faisant affaires sous le nom de Jarden Consumer Solutions.
Tous droits réservés.

Aux États-Unis, distribué par Sunbeam, Products, Inc.
faisant affaires sous le nom de Jarden Consumer Solutions, Boca Raton, FL 33431.
Au Canada, importé et distribué par Sunbeam Corporation (Canada) Limited
faisant affaires sous le nom de Jarden Consumer Solutions,
20B Hereford Street, Brampton (Ontario) L6Y 0M1.