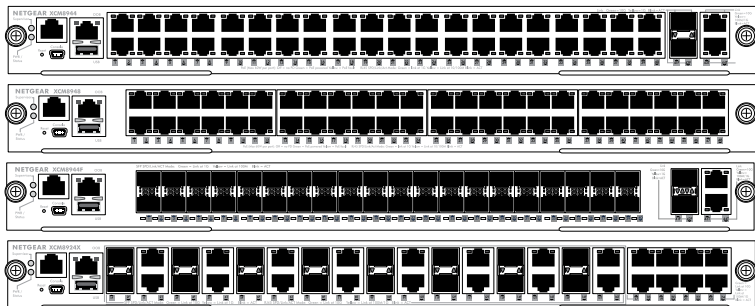


Installation

NETGEAR ProSAFE M6100 Chassis Switch

XCM8944, XCM8948, XCM8944F, XCM8924X, XCM89P,
XCM89UP



NETGEAR®

Contents

M6100 Series Front Panels.....	3
Before Installing the Switch Blade.....	4
Install the Chassis.....	5
Install the Fan Tray	6
Install the Switch Blade.....	7
Install the Power Supply	9
Install Optional PoE (XCM89P) or UPoE (XCM89UP) Board	10
Configure the Switch Blade.....	11

M6100 Series Front Panels

XCM8924X



Console ports OoB port 10G SFP+ ports 10G RJ-45 ports
USB port

XCM8944



Console ports OoB port 1G RJ-45 ports 10G SFP+ ports 10G RJ-45 ports
USB port

XCM8944F



Console ports OoB port 1G SFP ports 10G SFP+ ports 10G RJ-45 ports
USB port

XCM8948



Console ports OoB port 1G RJ-45 ports
USB port

Before Installing the Switch Blade

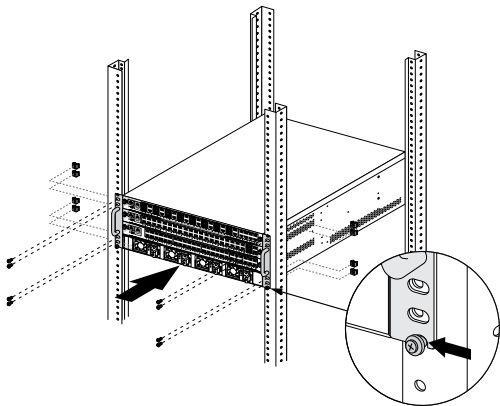
The M6100 series switch blades are designed to be installed in the XCM8903 rack-mount switch chassis. NETGEAR recommends installing the XCM8903 rack-mount chassis into a rack before installing any switch blades. For more information about how to install the XCM8903 rack-mount switch chassis, see the *XCM8903 Hardware Installation Guide*.

Install the Chassis

You can either bracket-mount the chassis into a rack or install the chassis using the included rails. For more information about installing the chassis using rails, see the *XCM8903 Hardware Installation Guide*.

➤ To bracket-mount the chassis:

1. Partially screw two of the included screws into the rack where you want the bottom of the chassis to rest.
2. Rest the bottom of the chassis's brackets on the two screws.

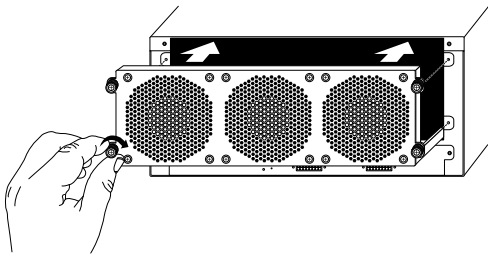


3. Screw the rest of the bracket to the rack.

Install the Fan Tray

➤ To install the fan tray:

1. Carefully slide the fan tray all the way into the fan tray bay at the rear of the chassis.



The fan tray is connected to power when it has been inserted completely into the fan tray bay.

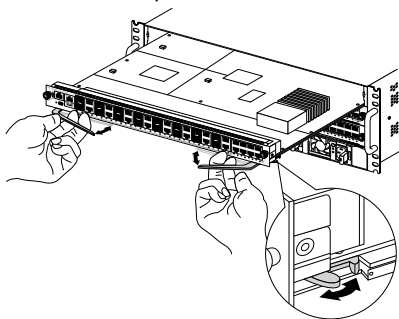
2. Screw the fan tray to the rear of the chassis using the included screws.

Install the Switch Blade

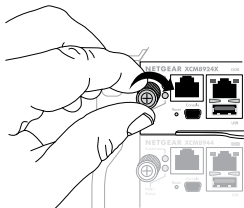
➤ To install a switch blade in a M6100 series chassis switch:

1. Select a slot for the switch blade.
2. Remove a blank front panel from the chassis slot, if necessary.
Any unoccupied switch blade slot in the chassis must have a blank faceplate installed to ensure satisfactory protection from EMI and to maintain adequate airflow through the chassis.
3. Remove the switch blade from the antistatic packaging.
CAUTION: To prevent ESD damage, hold the switch blade by the metal rail and front panel only. Never touch the components on the PCB or the pins on any of the connectors.
4. Verify that the switch blade injector-ejector handles are open.
5. Keep the injector-ejector handles in the open position as you slide the switch blade into the chassis slot.
CAUTION: Do not slide the switch blade into the open chassis slot if the injector-ejector handles are in the latched position.

6. Using both hands, push both handles toward the center of the switch blade, as shown.



7. Use your fingers or a screwdriver to turn the front panel screws on each injector-ejector handle clockwise and completely down.



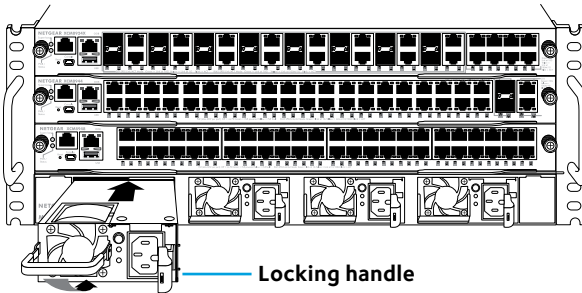
When the screw is fully tightened, the yellow band around the captive screw is completely hidden.

CAUTION: Be careful to avoid over torquing and stripping the screw heads.

Install the Power Supply

➤ **To install the power supply:**

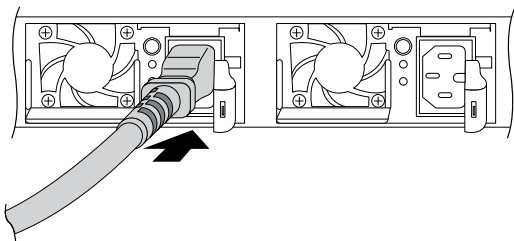
1. Carefully slide the power supply all the way into the power supply bay until it clicks into place.



CAUTION: Do not slam the power supply into the system backplane. Use the locking handle to secure the power supply in the power supply bay.

2. Repeat Step 1 to install each additional power supply.
3. After all the power supplies have been installed, connect an

AC power cord to the AC input connector below each power supply.



WARNING: Be sure that the source outlet is properly grounded before plugging the AC power cord into the input connector.

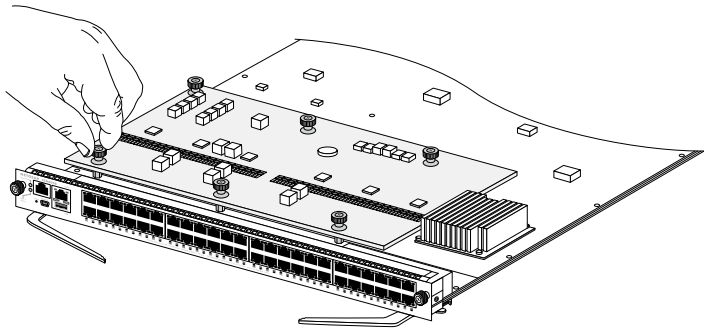
Install Optional PoE (XCM89P) or UPoE (XCM89UP) Board

You can install an optional PoE (XCM89P) or UPoE (XCM89UP) board into the XCM8944 and XCM8948 switch blades.

➤ **To install the optional PoE (XCM89P) or UPoE (XCM89UP) board:**

1. Remove the switch blade from the chassis.

2. Connect the optional board and secure it with the attached screws as shown.



Configure the Switch Blade

You can manage your switch through its web management interface or by using the command-line interface (CLI) through a console port. This guide shows you how to configure your switch using the web management interface. It also covers using the CLI to determine a DHCP-assigned IP address or using ezconfig to assign a static IP address. For more information about CLI management, see the *M6100 CLI Reference Manual* and the *M6100 Software Administration Manual*.

When configuring your switch, connect your switch to one of the numbered ports on the switch's front panel. Do not connect to the Out-of-Band (OoB) port for initial switch configuration.

Note: Use the OoB port to manage the switch only after the switch has been configured for your network. For more information about switch management using the OoB port, see the *M6100 CLI Reference Manual* and the *M6100 Software Administration Manual*.

To configure your switch using web management, use one of the following procedures, depending on how your Windows computer is set up:

- Computer is in DHCP client mode without DHCP server.
- Computer uses a static IP address.
- Computer is in DHCP client mode with DHCP server.

Computer in DHCP Client Mode Without a DHCP Server

The switch assumes a default IP address of 169.254.100.100 and a subnet mask of 255.255.0.0. The switch is in the same subnet

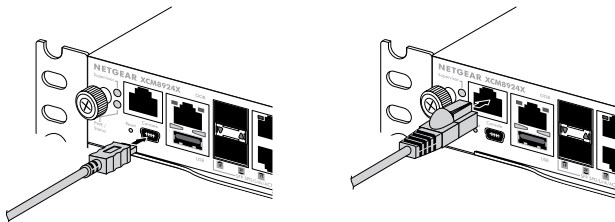
used by the computer NIC port when in DHCP-client mode without a DHCP server present. Use this IP value to log in to the switch.

Computer with a Static IP Address

When the computer is in this mode, the switch must also be assigned a static IP address. To assign a static IP address, connect a VT100/ANSI terminal or a workstation to one of the switch's console ports. A cable for the mini USB port and a straight-through RJ-45 cable are supplied.

➤ To configure the switch:

1. Start a terminal emulation program (TEP).
2. Connect your computer to a mini USB or RJ-45 console port on the front panel of the blade.



Use the installation CD to install the USB driver on your computer.

Note: You might need to install the USB serial port driver available on the CD included with the package before you can use the mini USB port on the computer to connect to the switch.

3. Configure the TEP to use the following settings:
 - **Baud rate.** 115200 bps
 - **Data bits.** 8
 - **Parity.** None
 - **Stop bit.** 1
 - **Flow control.** None
4. At the command prompt **User:**, log in to the switch using the user name **admin** and press the Enter key.
5. At the password prompt press the Enter key.
No password is required for initial configuration.
6. At the next command prompt, type **ezconfig** and press the Enter key.
The ezconfig utility is now running on the switch.
7. Use the following example to set up your static IP address and subnet mask.

Note: Make sure that the selected switch IP address is in that same subnet as the computer.

```
(Switch) #ezconfig
EZ Configuration Utility
-----
Hello and Welcome!
This utility will walk you thru assigning the IP address for the switch
management CPU. It will allow you to save the changes at the end. After
the session, simply use the newly assigned IP address to access the web
GUI using any public domain web browser.

Admin password is not defined.
Do you want to assign the admin password (password length should vary in a range of 8 - 64 characters)? (Y/N/Q) n

The 'enable' password required for switch configuration via the command
line interface is currently not configured.
Do you want to assign it (password length should vary in a range of 8 - 64 characters) (Y/N/Q)? n

Assigning an IP address to your switch management
Current IP Address Configuration
-----
IP Address Assignment Mode: None
IP Address: 0.0.0.0
Subnet mask: 0.0.0.0
Default Router IP: 0.0.0.0

IP address is not assigned. What do you want to do?
C - Configure IP address manually.
D - Assign IP address for the switch using DHCP mode(current IP address will be
lost).
N - Do nothing and go to the next question.
Q - Quit.
? - Help.
(C/D/N/Q/?)? c

IP Address: 192.168.10.138
Network mask: 255.255.255.0
Gateway: 192.168.10.1
Do you want routing to be enabled (Y/N)?y

Assigning System Name, System Location and System Contact to your switch management
Current Configuration
-----
System Name:

System Location:

System Contact:

Do you want to assign switch name and location information? (Y/N/Q)n
Do you want to apply and save the changes (Y/N)? y

Config file 'startup-config' created successfully .

The configuration changes have been applied and saved.
Please enter 'show running-config' to see the Final configuration.
Thanks for using EzConfig!
```

8. Connect your computer to one of the numbered ports on the switch's front panel.
9. Enter the IP address you configured in the address field of a browser.

A login screen displays.

10. Enter **admin** for the user name and leave the password field blank.
11. Click the **Login** button.

The system information screen displays.

12. Configure the switch for your network.

For more information on configuration settings and options, see the *M6100 Software Administration Guide*.

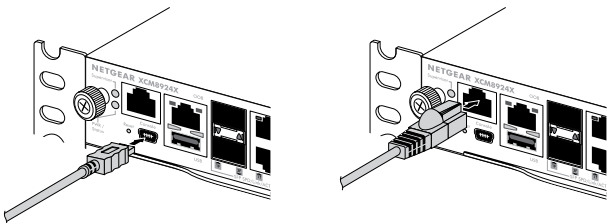
Computer in DHCP Client Mode with a DHCP Server

By default, the switch is configured as a DHCP client to obtain its IP address from a DHCP server in the connected network. You must access the switch from either the mini USB or RJ-45 console port.

➤ To configure the switch:

1. Make sure that the switch is connected to a DHCP server.

2. Start a terminal emulation program (TEP).
3. Connect your computer to a mini USB or RJ-45 console port on the front panel of the blade.



4. Configure the TEP to use the following settings:
 - **Baud rate.** 115200 bps
 - **Data bits.** 8
 - **Parity.** None
 - **Stop bit.** 1
 - **Flow control.** None
5. Type the **show network** command and press the Enter key.
A screen displays that shows the active switch IP address.
6. Connect your computer to one of the numbered ports on the switch's front panel.
7. On the computer that is connected to the switch, enter the switch IP address in the address field of a browser.

A login screen displays.

8. Enter **admin** for the user name and leave the password field blank.
9. Click the **Login** button.

The system information screen displays.

10. Configure the switch for your network.

For more information about configuration settings and options, see the *M6100 Software Administration Guide*.

Technical Support

Thank you for selecting NETGEAR products. After installing your device, locate the serial number on the label of your product and use it to register your product at <https://my.netgear.com>. You must register your product before you can use NETGEAR telephone support. NETGEAR recommends registering your product through the NETGEAR website.

To contact NETGEAR for support, go to <http://support.netgear.com/general/contact> or call (US only) 1-888-NETGEAR. In other countries, visit <http://support.netgear.com/general/contact/default.aspx> for phone numbers.

For product updates and web support, visit <http://support.netgear.com>.

NETGEAR recommends that you use only the official NETGEAR support resources.

You can get the user manual online at <http://downloadcenter.netgear.com> or through a link in the product's user interface.

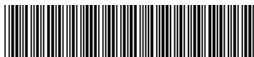
Trademarks

NETGEAR, the NETGEAR logo, and Connect with Innovation are trademarks and/or registered trademarks of NETGEAR, Inc. and/or its subsidiaries in the United States and/or other countries. Information is subject to change without notice. © NETGEAR, Inc. All rights reserved.

Compliance

For the current EU Declaration of Conformity, visit:
http://support.netgear.com/app/answers/detail/a_id/11621/.

For regulatory compliance information, visit:
<http://www.netgear.com/about/regulatory/>.



201-18321-01

August 2014

NETGEAR, Inc.

350 East Plumeria Drive
San Jose, CA 95134, USA