



Thank you for choosing the products of Armytek Optoelectronics Inc., Canada.
Please read this manual carefully before using the flashlight.

Specifications

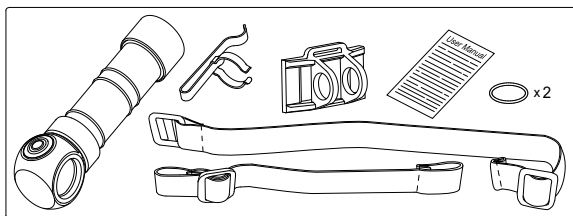
Armytek Wizard Pro headlamps were specially designed for Camping, Fishing, Hunting, Speleology, Caving and other Outdoor activities where a reliable and powerful light source is needed. We develop Armytek Partner flashlights taking into account the highest users' requirements and implementing in the production only the best electronic components produced in the USA and Japan. Updated Cree LEDs (USA) and reliable electronics supply the effective conversion of power source energy into light, while a durable anodized aluminium-alloy body and hermetic sealing system provide secure protection from external impact.

A durable headband provides firm fixing of the light at the head and allows you to choose the desired direction of the light beam, while a handy side switch enables you to operate the headlamp with one hand.

Armytek Wizard Pro headlamps are represented in four variants, distinguished by optics (wide or narrow beam) and light tint (Cool or Neutral White). Following chart specifies the main characteristics of Armytek Wizard Pro headlamps existing at the moment this manual was released:

Model	Wizard Pro	Wizard Pro	Wizard Pro Wide	Wizard Pro Wide
LED	XM-L2 U2	XM-L2 T6 (Warm)	XM-L2 U2	XM-L2 T6 (Warm)
Optics	TIR	TIR	TIR	TIR
Brightness stabilization type	FULL stabilization (constant brightness)			
Light output, LED lumen	1010lm	870lm	1010lm	870lm
Hotspot/spill	70° / 120°	70° / 120°	90° / 120°	90° / 120°
Beam distance	70 m	70 m	40 m	40 m
Hotspot diameter at 16 feet / 5 meters	7 m	7 m	10 m	10 m
Modes and runtimes (measured for Panasonic 18650 Li-Ion NCR 3100 mAh to the decrease to 10% of initial brightness)	Firefly1: 0.5lm / 100d Firefly2: 7lm / 9d Main1: 30lm / 50h Main2: 115lm / 15h Main3: 250lm / 7h Main4: 550lm / 2.8h Max: 1010lm / 1.1h Strobe1: 0.6Hz Strobe2: 10Hz	Firefly1: 0.4lm / 100d Firefly2: 6lm / 9d Main1: 28lm / 50h Main2: 107lm / 15h Main3: 235lm / 7h Main4: 515lm / 2.8h Max: 870lm / 1.1h Strobe1: 0.6Hz Strobe2: 10Hz	Firefly1: 0.5lm / 100d Firefly2: 7lm / 9d Main1: 30lm / 50h Main2: 115lm / 15h Main3: 250lm / 7h Main4: 550lm / 2.8h Max: 1010lm / 1.1h Strobe1: 0.6Hz Strobe2: 10Hz	Firefly1: 0.4lm / 100d Firefly2: 6lm / 9d Main1: 28lm / 50h Main2: 107lm / 15h Main3: 235lm / 7h Main4: 515lm / 2.8h Max: 870lm / 1.1h Strobe1: 0.6Hz Strobe2: 10Hz
Recommended power source	Only 18650 Li-Ion or LiFePO4 batteries			
Size	Length 4.06" / 103mm, body diameter 0.83" / 21mm, head diameter 1.3" / 33mm			
Weight	1.98oz / 56g (without batteries and headband)			

Set description

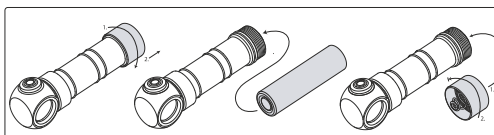


Items included in the package:

- Headlamp
- Headband (two straps)
- Silicone holder
- 2 spare O-rings
- Clip
- User manual

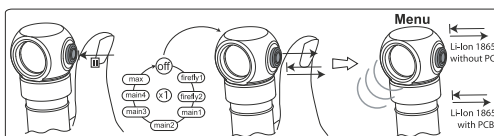
1. Depending on the model, your headlamp can considerably differ from the pictures in the manual.
2. The producer reserves the right to change the package at his own discretion without modifying this manual.

Initial Service



To set/replace batteries:

1. Unscrew the tailcap.
2. Place the batteries with the positive contact (+) facing the head of the flashlight.
3. Adjust the tailcap and tighten it as far as it can go.

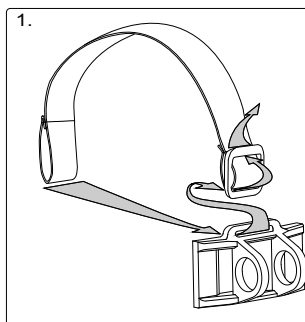


After placing the battery it is recommended to carry out the procedure of choosing the battery type through the built-up headlamp menu. To access the Menu press and hold the switch button (when the headlamp is switched off). The headlamp will switch on, go through the all available modes and then switch off again. After switching off, release the button quickly and click it rapidly again. The headlamp will enter the Menu and the LED will flash about 3 times a second.

Now you can specify the battery type:

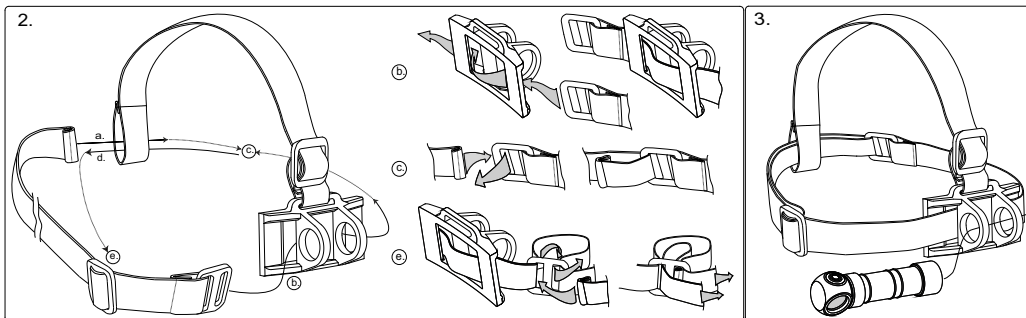
- 1 click for unprotected 18650 Li-Ion battery (without PCB) or LiFePO4, default value.
- 2 clicks for protected 18650 Li-Ion battery (with PCB), it brings more LED current limitations for user's safety.

⚠ We recommend NOT to leave power sources inside the flashlight for a long storage period, as batteries (especially, non-rechargeable) can leak for various reasons and damage the inner parts of the flashlight. If you want to keep your flashlight in a stand-by state with batteries in, use new and quality batteries, store the flashlight in acceptable for batteries operational temperature and revise the batteries' state at least once a month. If you have noticed any signs of batteries' defects, withdraw them from the flashlight and take out of operation. It is also recommended to replace discharged batteries with new ones before the storage as the chance of leakage is higher with discharged batteries.



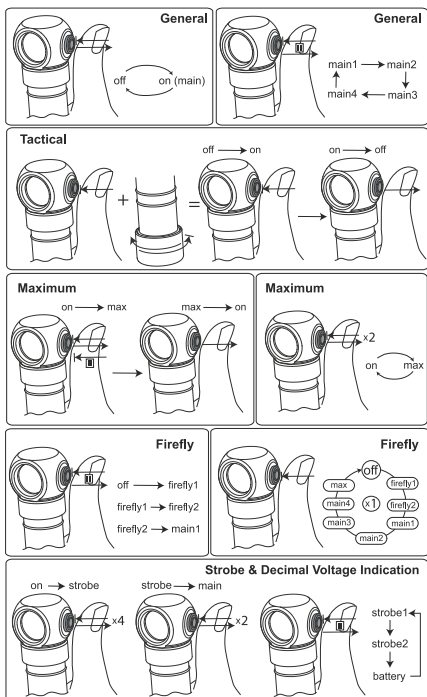
To use the light with the headlamp:

1. Connect the secondary strap with the silicone holder (fig. 1).
2. Pass the ends of the main strap through the loop of the secondary strap and slots in the silicone holder (fig. 2b), conjoin them in a ring (fig. 2c). Pass the loose end of the main strap through the loop of the secondary one in the opposite direction and fix it in the buckle (fig. 2d).
3. Fix the headlamp in the headband (fig. 3) and adjust the elastic bands to the size of your head.





Operation



Armytek Wizard Pro flashlight has two operation types:

1. General. The headlamp is switched on/off permanently.

2. Tactical. Press and hold the button – the headlamp will deliver light while the button is held. The headlamp will switch on in the last memorized mode (except for the Strobe). This type of operation is useful for short-time lighting and setting signals.

To access the Tactical operation type, unscrew the tailcap to 1/4, press the button and tighten the tailcap again holding the button pressed. To return to the General type, unscrew the tailcap to 1/4 and tighten it again.

While in the **General** type, you have a **convenient momentary access** to the following Modes:

Main. Click the button in OFF-state. Press and hold – to switch 4 main modes in a cycle, and release – to select one. It is memorized after switching off so next time you can access it in 1 click.

Maximum. Double click in Main mode for persistent activation (returns with another double click).

Click (shortly) and hold the button in Main mode for temporary activation (returns to the last mode when button is released).

Firefly. Press and hold in OFF-state to activate. Release – for selection. Double click – returns to the last Main mode. It is memorized after switching off – for 1 click access. If press and hold after Firefly activation, the headlamp will switch between 2 Firefly types, then 4 main modes, then Maximum and turn off (as the protection from accidental switching in a bag or pocket will work out).

Strobe. 4 clicks shortly in ON-state to activate. Double click – returns to the last Main mode. Press and hold after activation to switch between 2 Strobe types and **Decimal Voltage Indication**. It is memorized after switching off so next time you can access it shortly (also Decimal Voltage Indication).

Decimal Voltage Indication – the headlamp is switched on for 3 seconds for the battery loading in the last mode and then blinks: 3.7 Volts = 3 blinks – pause – 7 blinks. (Zero = 0.8 seconds of light.)

Armytek Wizard Pro headlamp is supplied with indication system – a color LED built-in to the button.

State Indication – short flash every 4 seconds. Shows the battery voltage (even in OFF-state). It can also help you to find your headlamp at night (e.g. forgotten on the grass).

State Indication can be turned on and off: unscrew the tailcap to 1/4, press the button and holding the button pressed – tighten the tailcap and then open it again. The settings will be memorized even when battery is changed.

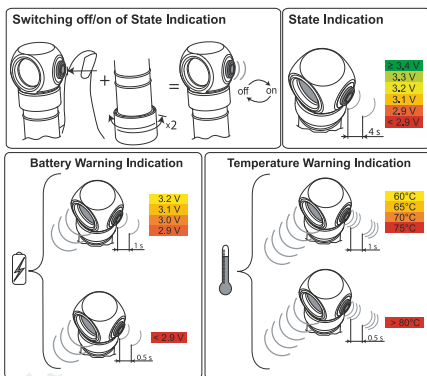
Warning Indication. In ON-state shows the battery voltage and the temperature inside the headlamp.

The voltage. When it drops to 3.2V, the **color LED** shows the **warning level** once a second and the **main LED** flashes 3 times. **Critical level** <2.9V is color indicated twice a second and light output decreases by 25%.

The temperature. When it increases to +60°C, the **color LED** shows the **warning level** once a second. After +70°C the **main LED** flashes 5 times. After +75°C the light output decreases to Main4 mode. **Critical level** >+80°C is color indicated twice a second and light output decreases to Firefly2 mode.

Born to exceed.

Lock-out function. Unscrew the tailcap to 1/4 for the protection from accidental switching on. The State Indication will be temporarily turned off.



With ambient temperature is +25..+30°C the headlamp delivers light in Maximal mode for about 5–7 minutes and then the brightness steps down to the Main4 mode. 10–60 seconds afterwards the brightness increases to the Maximal level again. This stepping goes cyclically to maintain the user's safety and the headlamp's functionality. In the conditions of good air-cooling the headlamp produces constant light even in Maximal mode.



1. Always follow the instructions from this manual and recommendations on battery usage.
2. Apply only the recommended power sources.
3. Do not reverse battery polarity.
4. Do not use different power sources together, i.e. old ones with new ones, charged with discharged. Do not use different types of batteries combined as the element with less capacity can be damaged.
5. Do not modify or recast the flashlight and its components as it will deprive you of the warranty.
6. Do not allow water or any other liquid to leak into the flashlight.
7. Do not aim a turned-on flashlight at people's or animals' eyes – it can cause temporary blindness.
8. Do not allow children to use the flashlight without your assistance.



Armytek Optoelectronics Inc. shall not be liable for any harm done to the user if it was caused by improper use of the product.

Care and Storage

It is recommended to clean the threads and O-ring off dirt and old grease. Remember that secure protection from water and dust cannot be provided by worn out sealing. And fouling as well as lack of lubricant cause fast wear-out of threads and sealing rings.

To clean the threads do the following:

1. Unscrew the tailcap and remove the sealing ring carefully with a toothpick (do not use sharp metal things as they can damage the ring).
2. Wipe the sealing ring thoroughly with a soft cloth (or tissue). Do not use solvents. If the sealing ring is worn out or damaged replace it by a new one.
3. Clean the metal threads with a brush using ethanol. Be careful not to allow applied liquid to get inside the flashlight or tailcap as it can cause fails in functionality of the flashlight.

After cleaning lubricate the thread and the sealing ring with polyalphaolefin-based silica grease, e.g. Nyogel 760G. The application of automotive and other improper grease can cause swelling and damage of the sealing rings.

In case of active operation and exploitation in dusty environments it is recommended to perform cleaning and lubricating of the parts as often as required, even if it is more than twice a year.

Service and Warranty

Armytek provides free warranty repair for 10 years from the purchase.

Warranty doesn't cover damage caused by:

1. Improper usage.
2. Attempts to modify or repair the flashlight by nonqualified specialists.
3. Longtime application in chlorinated or polluted water, or other liquids (other than water).
4. High temperatures and chemicals' exposure (including the exposure of liquid from defected batteries).
5. Usage of low-quality batteries.

Armytek Optoelectronics Inc.

Web: www.armytek.com Email: sales@armytek.com

Address: 67 Vandervoort Dr, Richmond Hill, Ontario, L4E 0C7, Canada

Specifications are subject to change without notice.

The most technically advanced flashlights in the world.