

**Multi-function  
Control keyboard**  
USERS' MANUAL  
***YSS-01CK***  
V3.0





# Thanks for your purchase of our product.

- In order to make good use of this product, please read this user's manual carefully.
- In order to use this product correctly and safely; be familiar with all operation steps.
- Please keep this user's manual for future reference.
- The information contained in this document is subject to changes without notice.

## **SAFETY WARNING**

- In case of failure, be sure to turn off the power or remove the power supply before contacting service personnel.
- To avoid electric shocks, do not disassemble this product on your own. Be sure to ask a skilled technician for the job.
- The power of this product is DC12V/1.2A. Do not use other types of power supply, or the product may be destroyed or fire can be triggered.
- Keep unconnected wires, plugs duly insulated, or they might cause short circuit and damage this product.
- Do NOT connect power to the unit until all installation steps are completed.

# Table of Contents

<b>Safety warning</b> .....	3
Introduction .....	5
 <b>Use instructions</b>	
Accessories .....	5
Front-panel .....	6
Rear connects line .....	8
System integration diagram. ....	9
Instruction of operation. ....	10
 <b>Remarks</b>	
Maintenance & cleaning. ....	14
Troubleshooting. ....	14
Optional accessories. ....	15

## **Introduction**

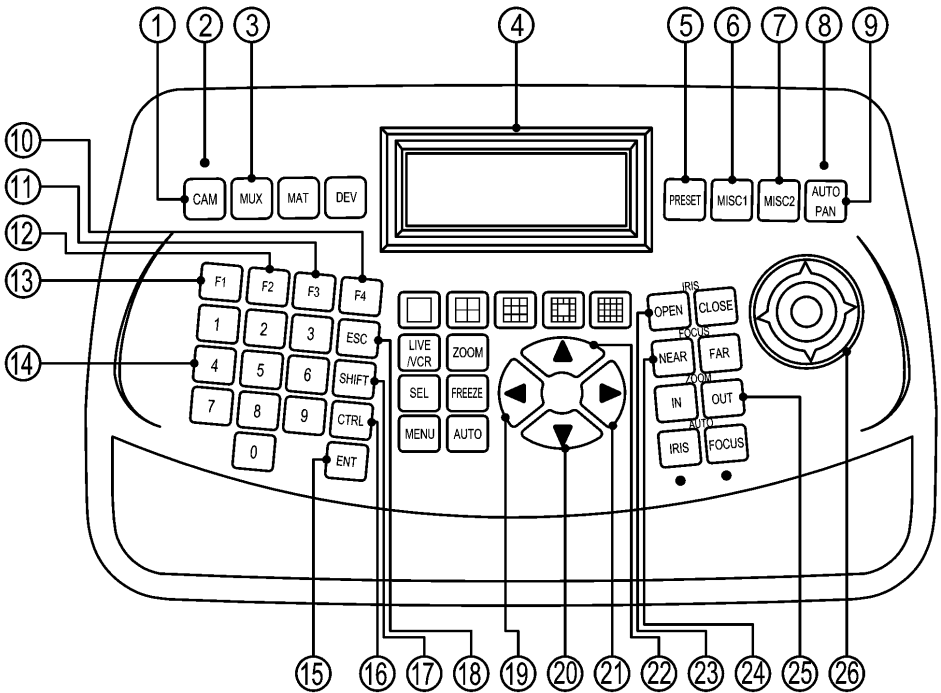
This product utilizes the most advanced communication protocol. It can integrate the full series of CCTV products produced by SEEKU. The powerful control functions can effectively improve system efficiency. Large LCD screen make messages easy to read. Attached with multi directional variable speed joystick makes control operation easier.

## **Accessories**

1. Multi function control keyboard
2. RS-485 control connection wiring
3. Power supply
4. User manual

## Front panel

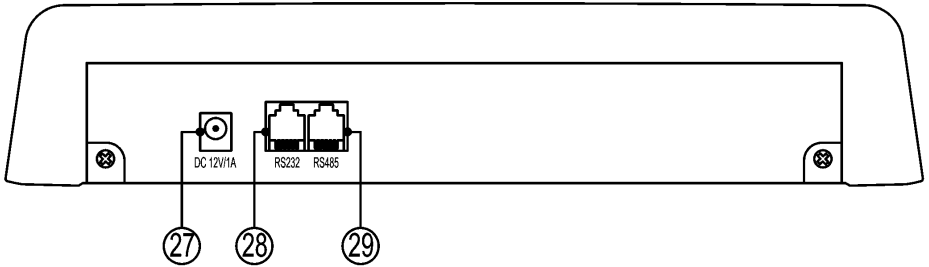
※ Keys without a description are not operational in this model.



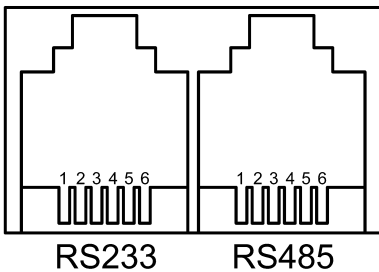
1. Camera selection key.
2. Power LED
3. No function
4. LCD
5. Preset point Call, Save and Erase
6. Set up auto pan to the left
7. Set up auto pan to the right
8. Auto Pan LED
9. Execute Auto Pan, Execute group auto cruise, Set dwell time and cruise speed for group auto cruise
10. Call alarm record up ↑
11. Call alarm record down ↓

12. Output switch ON/OFF
13. Alarm ON/OFF
14. Number key
15. Enter key
16. No function
17. Keyboard system set up
18. ESC key
19. OSD manual, esc key
20. OSD manual, Tilt left down←↓
21. OSD manual, enter key
22. OSD manual, tilt right down→↓
23. Star light night vision adjustment
24. Focus
25. zoom
26. Joystick

## Rear connects line



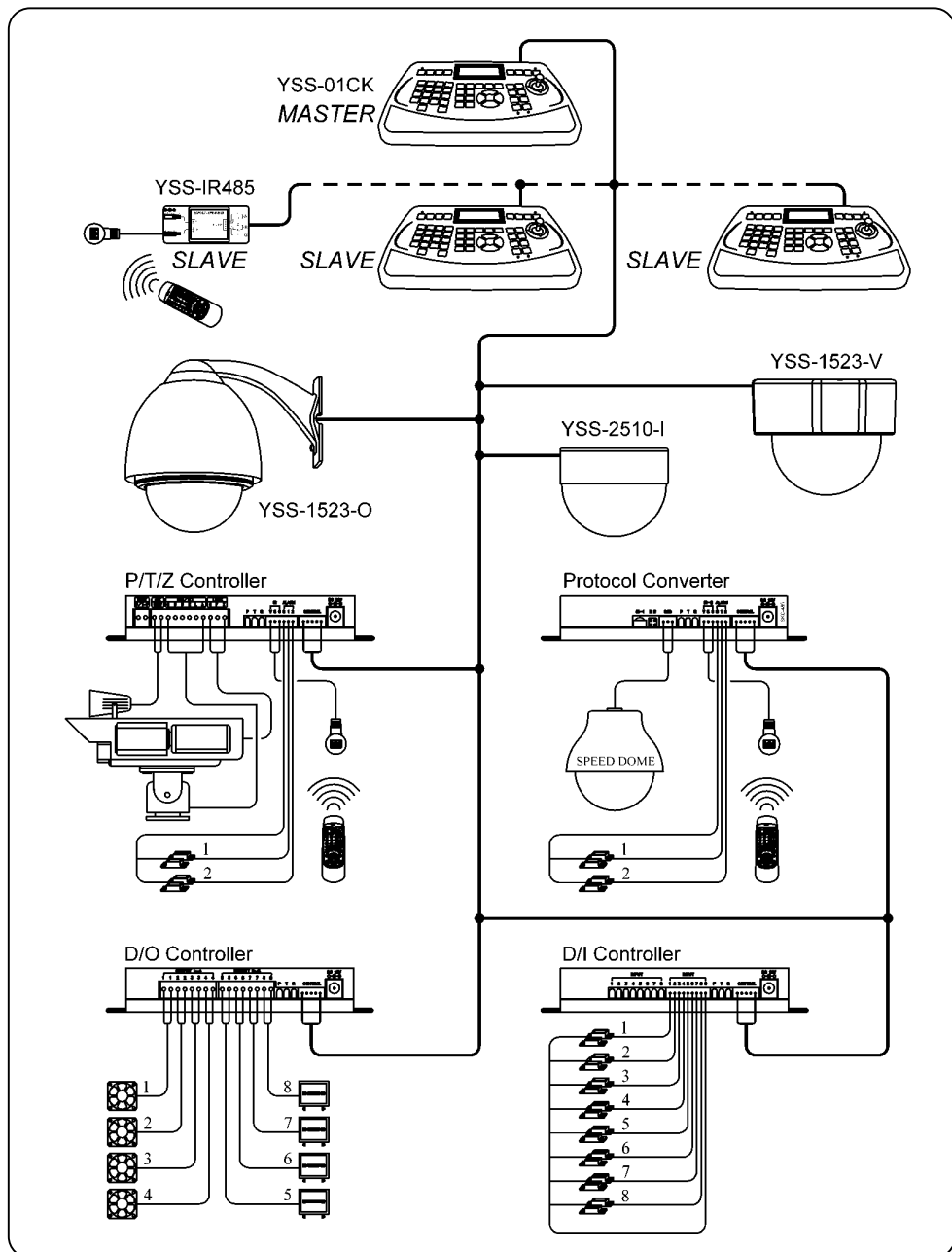
- 27. Power supply DC12V
- 28. RS-232 communication connection socket 6P6C  
*(not supported by this model)*
- 29. RS-485 communication connection socket 6P6C



Pin	RS-232	RS-485
<b>1</b>	X	X
<b>2</b>	GND	X
<b>3</b>	TxD	D-
<b>4</b>	RxD	D+
<b>5</b>	X	X
<b>6</b>	X	X



# System integration diagram



## Operation instruction

### 1. Selection of Camera ID.

Press **CAM** key once and enter the camera ID selection mode, input camera ID 001 ~ 255, press **ENT** key to enter.

Ex: **CAM** → **002** → **ENT**

Cam : 001

Choose Cam ID : \_ \_ \_

### 2. Direction control

Joystick may control 8 directions; Rotation speed can be variable by controlling a joystick.

Cam : 001

\*\*\* Right-Up \*\*\*\*

Choose Cam ID : 001

OK !

### 3. Lens control

Press down FOCUS **NEAR** / **FAR** or ZOOM **IN** / **OUT** for manual adjustment.

Cam : 001

\*\*\* Zoom Out \*\*\*\*

Choose Cam ID:001 OK !

### 4. Preset position Call, Save, and Clear

Call preset position:

Press **PRESET** once → Input camera ID → **ENT**

Save preset point:

Press **PRESET** twice → Input camera ID → **ENT**

Clear preset point:

Press **PRESET** three times → Input camera ID → **ENT**

※ You can set up 128 preset position, every 32 preset for one group

group 1: 1 ~ 32 /Group 2: 33 ~ 64 /Group 3: 65 ~ 96 /Group 4: 97 ~ 128

Cam : 001

Call Preset No: \_ \_ \_

### 5. Pan Limit set up

Pan limit to the left set up : move the camera to pan limit to the left ,press **MISC1** → **ENT**

Pan limit to the right set up : move the camera to pan limit to the right ,press, **MISC2** → **ENT**

Cam : 001

Save limit Start ?

## 6. Execute Auto pan, group auto cruise, auto pan speed set up,

### Dwell time set up

Execute auto pan:

**AUTO PAN** press down 1 time → **ENT**

Execute group auto cruise:

**AUTO PAN** press down 2 times → 1 ~ 5 → **ENT**

Cruise speed set up: **AUTO PAN** press down 3 times → 1 ~ 6 → **ENT**

Dwell time set up: **AUTO PAN** press down 4 times → 00 ~ 99 → **ENT**

※ Group auto cruise **1 ~ 5**:

**1** Group auto cruise 1: preset 1 ~ 32      **2** Group auto cruise 2: preset 33 ~ 64

**3** Group auto cruise 3: preset 65 ~ 96      **4** Group auto cruise 4: preset 97 ~ 128

**5** Group auto cruise 5: preset 1 ~ 128

※ Set up cruise speed **1 ~ 6**: (means the approximated movement speed for each second)

**1** 10° /sec   **2** 20° /sec   **3** 30° /sec   **4** 40° /sec   **5** 50° /sec   **6** 60° /sec

※ Set up dwell time **0 ~ 99**: Second

Input **15** means the dwell time is approximately 15 seconds.

Cam : 001

Set Auto Pan ?

## 7. Camera OSD manual operation

Camera set up, the set up keys on the front panel

(19 ~ 22) **▲** **▼** **◀** **▶**

**▶** Enter OSD manual / enter

**▲** Up/right

**▼** Down/left

**◀** Return /ESC

※ Under the control of keyboard, Protocol cannot be changed.

Cam : 001

Camera OSD Key : Ent

## 8. Alarm set up (DI)

Alarm ON set up:

Press **F1** once → 1 ~ 10 → **ENT**

Alarm OFF set up:

Press **F1** twice → 1 ~ 10 → **ENT**

※ Alarm 1 ~ 10 correspond to preset position 1 ~ 10

※ when alarm is triggered, there will be warning siren. Other than the numerical keys and lens control keys, press any key can stop the warning siren.

Cam : 001

Enable Alarm No : \_\_

## 9. Output on/off set up (DO)

Camera out put ON set up:

Press **F2** once → 1 ~ 8 → **ENT**

Camera out put OFF set up:

Press **F2** twice → 1 ~ 8 → **ENT**

Cam : 001

Open Aux No : \_

## 10. Inquiry of alarm record

Inquiry of previous record: **F3**

Inquiry of previous record: **F4**

※ May record the latest 80 alarm information

※ Display description:

**No Any Alarm List**, No record of alarm been triggered

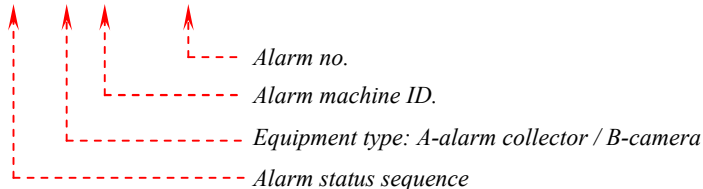
**12:A-001 AL 2**, Means the alarm collector 1 point 2 triggered

**13:A-001 AL Reset**, Means alarm collector 1 all reset

**14:B-001 AL 1 2**, Means the camera's alarm1 and 2 triggered

**15:B-001 AL Reset**, Means camera's alarm reset

**12 : B-001 AL 1 2**



Cam : 001

12 : B-001 AL 1 2

## 11. Keyboard system set up

**SHIFT** + **CAM** enter set up manual

Use the OSD key **▲** **▼** to select the required set up items

press down **▶** and enter set up mode >Sure? 0: Yes 1: No

Enter 0 (confirm change) or 1 (no change), and return to previous layer

Press down **◀** / **ESC** to return to previous /ESC

※ *Set up item:*

**>Clear Alarm List?** *Clear alarm record*

**>Set Keypad Master?** *Set up keyboard as the main control keyboard (needs to be set up when there are two or more keyboards)*

**>Set Keypad Slave?** *Set up keyboard as auxiliary control keyboard ((needs to be set up when there are two or more keyboards)*

*** System Setup *** >Clear Alarm List? >Sure? 0 : Yes 1 : No
---

## Maintenance & cleaning

- Prevent water or other materials fall into the keyboard and cause control abnormal or malfunction.
- **Daily cleaning**  
Use soft cloth to wipe clean.
- **Removal of stubborn stains**  
The surface of the keyboard is difficult to clean with dry cloth. It can be wiped clean with soft cloth with dilute neutral detergents and then wipe clean with soft dry clothe.  
*※ Detergent on the soft cloth shall not penetrate into the gaps between the keys.*
- **Do not use benzene, diluents or gasoline and other corrosive solvents**  
Solvents may damage the keyboard.

## Troubleshooting

1. **Troubled control**
  - a. Is the control wire in poor contact? Is it properly grounded? Is the wire interference by other signal?
  - b. Make sure you use PVC instrument cable (pair type) as the extended control wire?  
*(For RS-485 control.)*
  - c. Is the control distance too long? Double-check the spec of wire
2. **Unsuccessful control**
  - a. Please checks the control wire has properly connected or not?
  - b. Has the camera ID Properly set? Have you selected the correct camera before operating?
  - c. Is the protocol match to each other (camera and keypad)? *(For RS-485 control )*
3. **Why the control fails to reach the preset position?**
  - a. Double check is the preset positions in normal operation.
  - b. Double check the preset positions in a specific group has 2 or more preset positions.
  - c. Have you set all the preset position of one group in the same position?

*※ For technical support, please contact the dealer.*

## Optional accessories

### YSS-2348 232 Signal converter

- For RS-485 control system
- To convert RS-232 signals into RS-485 signals
- To convert PC, DVR control signals
- Compact & lightweight for easy installation
- Apt for use in indoor environments



### YSS-4823 485 Signal converter

- For RS-485 control system
- To convert RS-485 signals into RS-232 signals
- Apt for all RS-232 communication systems
- The system features integrated or extended control distance
- Compact & lightweight for easy installation
- Apt for use in indoor and outdoor environments



### YSS-485A 485 signal amplifier

- For RS-485 control system
- Signal amplification for extended control distance
- Built-in surge protection and scramble signal resistance
- Compact & lightweight for easy installation
- Apt for use in indoor environments



### YSS-IR485 IR Control for camera

- For RS-485 control system
- Expandable into a simple one-to-multiple camera
- Compact & lightweight for easy installation
- IR remote control of easy operation
- A variety of humane wireless ratio control features
- Apt for use in indoor environments

