

Operating Instructions P7840 Deerchaser™

Congratulations on your purchase of the Deerchaser™. Please read the instructions fully before use. Cared for properly, the Deerchaser™ will provide years of service.

Protect your home and family from intrusive deer with the new Deerchaser™. This proprietary technology, developed and field tested by a PhD and author of several books, will gently ward off deer – keeping them at a safe distance from those expensive plants and shrubs.

Keeping deer at a safe distance from our plantings is one of the more difficult obstacles that Mother Nature has cast upon us. That, coupled with the fact that deer carry disease-ridden ticks, is the perfect reason for Deerchaser™.

WARNING

⚠ Unit can be heavy with batteries installed. Mount unit properly or injury may occur.

⚠ When mounting use proper hardware. Do not over tighten. Breakage may occur.

⚠ Do not pierce any plumbing or electrical equipment when you mount the unit. Damage or injury may occur.

⚠ Be sure battery compartment door is securely closed. Do not open battery compartment if the unit is wet. Otherwise water may enter and damage the unit. Injury may occur.

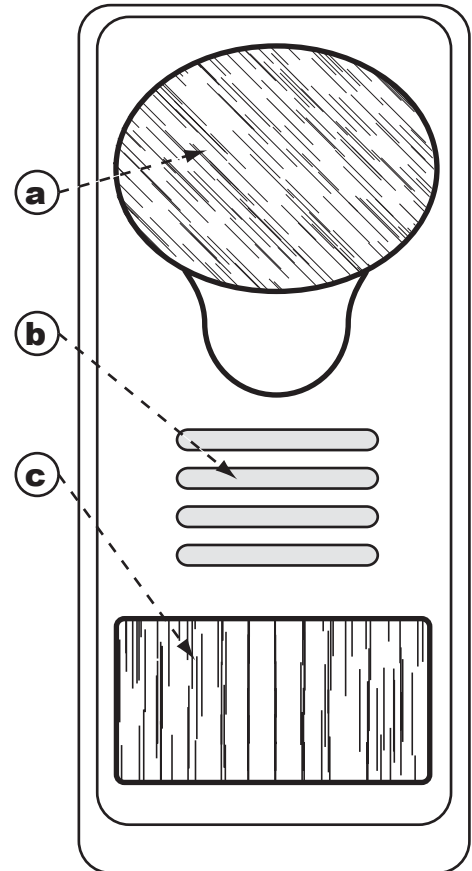
⚠ Do not stare directly into the light source. Light is very bright and may cause discomfort or injury.

⚠ Do not place your ear directly to the sound source. Sound can be very loud and may cause discomfort or injury.

⚠ Only use quality alkaline or lithium batteries in unit. Other battery types may leak or explode causing injury. Do not mix old and new batteries.

⚠ Dispose of exhausted batteries properly.

⚠ When not using the unit for an extended period, remove the batteries. Stored batteries may leak and cause damage or injury.



DEERCHASER™ (FRONT)

Parts Identification (see diagram):

a. LED lamp: Super-bright LED light source will illuminate when the Deerchaser™ signal is activated.

b. Loudspeaker: Powerful weatherproof speaker will sound FM broadcast radio when the Deerchaser™ signal is activated.

c. Passive Infra-red motion detector (PIR) lens. The PIR features a range of approximately 25 feet at an angle of 110°.

Control Legend (see diagram):

Remove thumbscrew on rear of unit to access battery/control compartment.

1. Battery compartment: Insert 3X "D" cell alkaline or lithium batteries. Be sure to follow the polarity diagram and insert the batteries correctly. Do not mix old and new batteries.

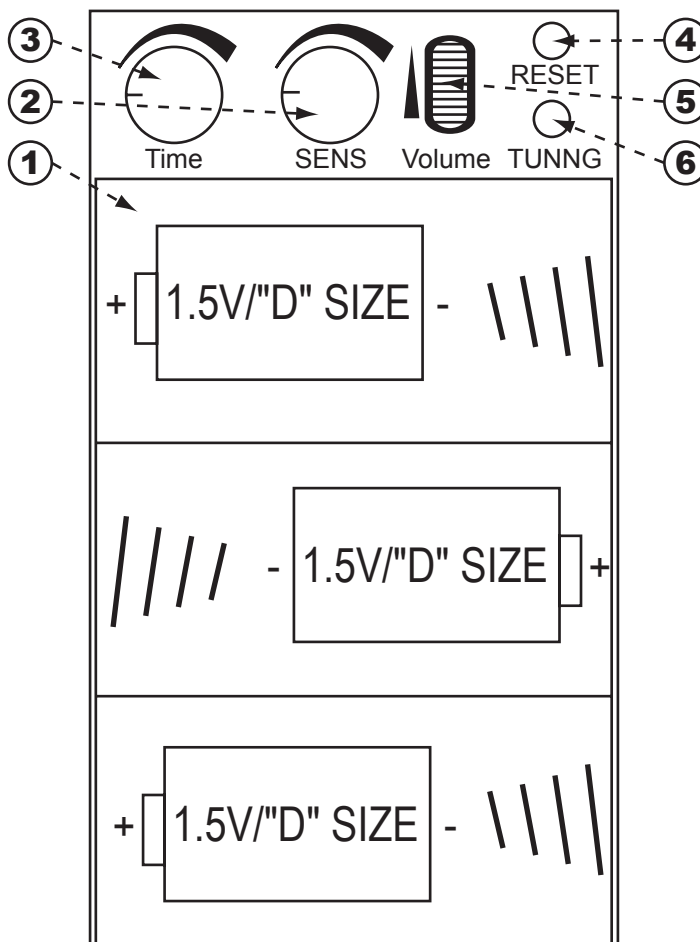
2. SENS: Adjust the sensitivity of the PIR motion detector. Typically leave it set at maximum (fully clockwise). To reduce the coverage area rotate the control counter-clockwise.

3. Time: Adjust the duration of the Deerchaser™ signal. Adjust from a minimum of approximately 15 seconds to a maximum of approximately 7 minutes. After the set time, the Deerchaser™ will reset and await the next activation.

4. RESET: Restart automatic radio tuning from the lowest FM frequency (88.3 MHz).

5. Volume: Rotate the knob down to increase the volume of the Deerchaser™ signal. Typically leave it at maximum volume to increase effectiveness. If necessary rotate the knob up to reduce the volume. Rotate the knob all the way up until it clicks to turn off the unit.

6. TUNNG: Advance automatic radio tuning to the next received FM frequency. When you have reached the end of the FM tuning band (107.9 MHz) you will note the received signal will no longer change. Press the RESET button to restart tuning at the lowest frequency.



BATTERY/CONTROL COMPARTMENT

Use:

Remove thumbscrew on rear of unit to access battery/control compartment.

Insert 3X D cell batteries. Insure correct polarity by following the diagram. Use only new high-quality alkaline or lithium cells. Rechargeable batteries are not recommended. Dispose of exhausted batteries properly.

Rotate the volume control (Volume) downwards to turn on the unit.

If necessary, wave your hand in front of the PIR lens to activate the unit.

Press the tuning button (TUNNG) to automatically scan the FM tuning band to receive an appropriate strong FM broadcast signal. Repeatedly press the tuning button to choose your station. Press the reset button (RESET) to reset the tuning to the lowest frequency. Test reception by setting unit down and removing your hands. When the unit is close to your body, tuning sensitivity can change.

Rotate the time duration control (Time) to the desired setting. Shorter durations will extend battery life while longer durations will have more effect on persistent pests. Experiment with this setting for best results.

Rotate the sensitivity (SENS) control to the desired setting. Typically leave it set at maximum (fully clockwise).

Re-install battery door and secure with thumbscrew. Insure the battery door is fully seated around the entire panel. Insure thumbscrew is tight to insure weather resistance. Do not over tighten.

Mounting (see diagram):

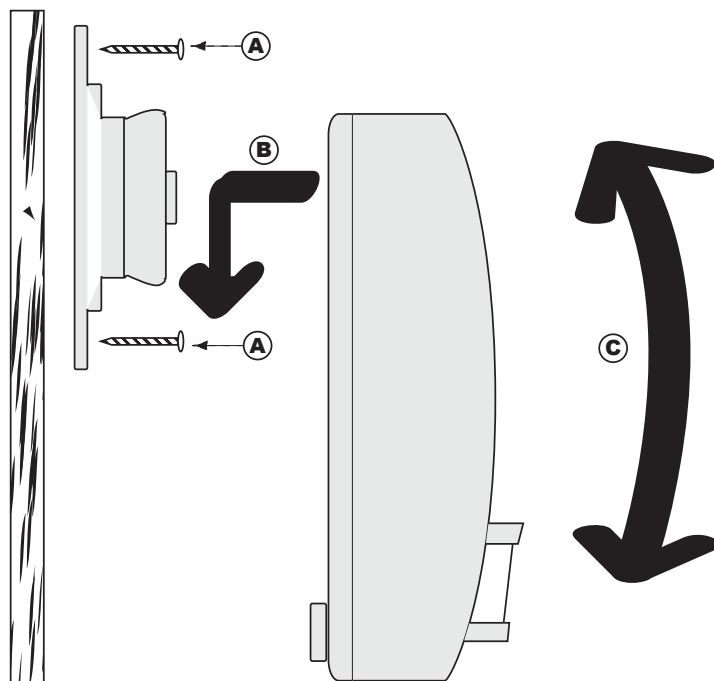
A. Use the included screws or other hardware to mount the base plate to a suitable mounting surface. You can attach the plate to a fencepost, structure, tree, etc. Be certain not to pierce any plumbing or electrical equipment when you mount the base plate. Mount the base plate with the screw holes vertical. The Deerchaser™ unit is designed to mount to the base plate vertically. We do not recommend mounting the unit horizontally. The sensor will not work properly. Choose your mounting location carefully. The base plate allows you to adjust the angle of the Deerchaser™ up or down. We suggest mounting the unit high enough that it is out of the reach of children. You can adjust the angle of the base plate down to protect the intended area.

B. Attach unit to base plate by sliding mounting clip into matching slot on rear of unit. Then slide unit down on the clip until it is fully engaged. Be sure clip is fully inserted in slot.

C. Rotate unit up and down to reach desired mounting angle. Base plate does not rotate from left to right, only up and down. PIR motion sensor has a wide angle of detection. Typically side to side adjustment is not necessary.

Aim the Passive Infra-red motion detector (PIR) lens towards the protected area. The PIR features a range of approximately 25 feet at an angle of 110° (see diagram). If possible, aim the sensor at an area with fewer branches and/or vines. Branches moved by strong breezes may trigger the motion detector circuit. This is normal but should be minimized to extend battery life.

The Loudspeaker and LED lamp have a longer range than the PIR. Once the signal is activated, the protected area will be larger than the PIR range.



MOUNTING THE DEERCHASER™ (SIDE)

Advice:

Choose a strong local FM signal if possible. FM reception conditions will vary with time of day and weather conditions.

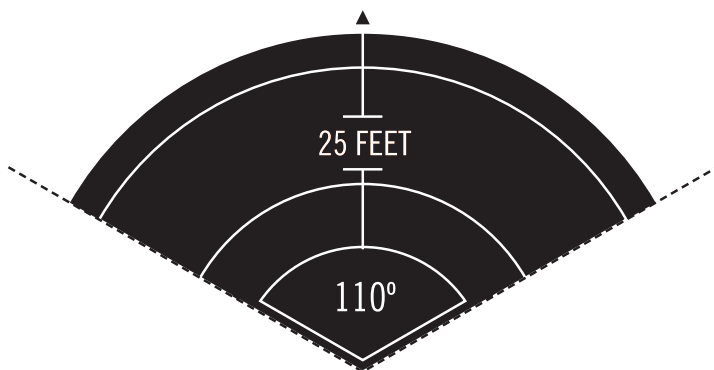
When possible choose your FM signal during the day. Typically reception is weaker during the day.

Choose an FM broadcast signal featuring “talk radio” or news broadcasts if possible. Experiment with different FM broadcasts and observe results.

Use the maximum volume level possible in your application. Louder signals will be more effective.

When possible, mount the unit under cover. While the unit is weather resistant, shield it from direct sunlight and rain when possible.

If possible, aim the PIR motion sensor at an area with fewer branches and/or vines. Branches moved by strong breezes may trigger the motion detector circuit. This is normal but should be minimized to extend battery life.



PIR RANGE DIAGRAM

P3 INTERNATIONAL CORPORATION LIMITED WARRANTY

P3 INTERNATIONAL CORPORATION ("P3") warrants to the original retail purchaser only, that its product is free from defects in material or workmanship under the condition of normal use and service for a period of six (6) months from the date of purchase. In the event that a defect, malfunction or failure occurs or is discovered during the warranty period, P3 will repair or replace at its option the product or component part(s) which shall appear in the reasonable judgment of P3 to be defective or not to factory specifications. A product requiring service is to be returned to P3 along with the sales receipt or other proof of purchase acceptable to P3 and a statement describing the defect or malfunction. All transportation costs shall be borne by the owner and the risk of loss shall be upon the party initiating the transportation. All items repaired or replaced thereunder shall be subjected to the same limited warranty for a period of six (6) months from the day P3 ships the repaired or replaced product. The warranty does not apply to any product that has been subject to misuse, tampering, neglect, or accident or as a result of unauthorized alterations or repairs to the product. This warranty is void if the serial number (if any) has been removed, altered, or defaced. This warranty is in lieu of all warranties expressed or implied, including the implied warranties of merchantability and fitness for a particular purpose which are expressly excluded or disclaimed. P3 shall not be responsible for consequential, incidental or other damages, and P3 expressly excludes and disclaims liability for any damages resulting from the use, operation, improper application, malfunction or defeat of any P3 product covered by this limited warranty. P3's obligation is strictly and exclusively limited to the replacement or repair of any defective product or component part(s). Some states do not allow the exclusion or limitation of incidental or consequential damages, so the above limitation or exclusion may not apply to you. P3 does not assume or authorize anyone to assume for it any other obligation whatsoever. Some states do not allow limitation on how long an implied warranty lasts, so the above limitations may not apply to you. It is the owner/user's responsibility to comply with local, state, or federal regulations, if any, that may pertain to P3 products or their use. This warranty gives you specific legal rights, and you may also have other rights which vary from state to state.

If you experience difficulty in the operation of your product, or if your product requires service please contact:

P3 INTERNATIONAL CORPORATION
TECHNICAL SUPPORT

Tel: 212-741-7289

Fax: 212-741-2288

Email: techsupport@p3international.com

rev. 07/06