

*GPS  
Vehicle  
Tracker*

---

**User Manual**

**V5.4**

**VT600X**

**Preface**

Thank you for purchasing our products. This deliberately edited manual is to introduce the tracker with the complete technical data and the instructions showing how to operate the device smoothly and correctly. Make sure to read this manual carefully before using this product. Most problems could be solved through the explanations and the troubleshooting tips. Once you finish reading it, keep it handy for necessary reference. Please note that specification and information are subject to changes without prior notice in this manual. Any change will be integrated in the latest release. The manufacturer assumes no responsibility for any errors or omissions in this document.

**Content**

<b>I . Preface.....</b>	<b>2</b>
<b>II . Attentions.....</b>	<b>3</b>
<b>III Hardware description.....</b>	<b>3</b>
<b>IV. Main function.....</b>	<b>3</b>
<b>V . Set up.....</b>	<b>4</b>
<b>VI. Installation diagram.....</b>	<b>7</b>
<b>VII. Installation.....</b>	<b>7</b>
<b>VIII.Track by 900D web based tracking software.....</b>	<b>8</b>
<b>IX. Application.....</b>	<b>11</b>
<b>X.Specification.....</b>	<b>11</b>
<b>Command set.....</b>	<b>12</b>

### Attention

1. Make sure to read this manual carefully before using this product.
2. Please insert the SIM card before installing, and make sure the SIM card has no password, otherwise the tracker will not work normally.
3. Please make sure that all the cables of the tracker has been connected rightly, and then connect the tracker to host power. Must not install or take down the tracker when it is power on. If you found any troubles or omissions about the connections of cables, please cut off power first, otherwise you will easily damage the tracker.
4. The tracker works in wireless communications, so please cut off the host power before your vehicles entering fuel depot and dangerous material place.
5. The tracker's work voltage is 9V-30V. Please use the tracker in the scope of work voltage.
6. The host of GPS tracker is a low-power wireless transmitter and receiver. It receives and sends radio frequency signal when it is working.
7. To avoid electromagnetic interference or incompatible configuration, please stop using your tracker in the noticed place.

### GPS Vehicle Tracker

#### ◆ Hardware Description

##### 1. Host Tracker



##### 2. Start up

Put the SIM card in place and installed the tracker in the car, the red indicator is on. About 40 seconds, the unit will begin to work and acquire the GSM signals as well as the GPS signals, and the red indicator will keep flashing every 2 seconds when the GSM module is no communication. When the blue indicator is light, the unit has been located.

#### ◆ Main functions

1. Positioning and Tracking: Through the on-line Positioning Platform or the cell phone to locates at times, and get the working status. You can choose the Positioning Platform by yourself.
2. Triggering Emergency Alarm: When there is a emergency happened on the vehicle, you can put on the button and the installed unit will send out alarm to the authorized numbers.
3. Remote controlling oil and circuit: you can control the oil and circuit via the unit by SMS in anywhere and anytime.
4. Remote Monitoring: In anywhere and anytime, call the phone number in the unit, when it connects, you can monitor the sound around 5 meter.

5. Movement Alert: Send SMS to the unit to start the movement alert function. When the vehicle is moving, the unit will send the movement alert to all authorized numbers.
6. Overspeed Alert: Send SMS to the unit to start the movement alert function. When the vehicle is overspeed, the unit will send the overspeed alert to all authorized numbers.
7. Geo-fence: Set up a geo-fence for the unit to restrict its movements within a district. The unit will send the message to all authorized numbers when it breaches the district.
8. Restart the unit: send SMS to resume the default of unit.
9. Auto Track: You can set up auto track by SMS or on-line positioning platform.
10. Mileage statistics; ACC checking; cutting off power and alarm.
11. Compatible with the original anti-theft alarm: It will send SMS alarm after the original anti-theft alarm warning.

\* Modify the IP and Port of Communication Protocol for different on-line positioning platform

### ◆ Set up

#### 2. Add authorized number (Can set 5 authorized number)

Send **“admin+password+space+authorized number”**

Example: Send SMS **“admin123456 13612345678”**. "admin" is instruction, "123456" is password, "13612345678" is authorized number. It will reply “admin ok!”. You can set 5 authorized phone number Maximum.

#### 3. Delete authorized number

Send **“noadmin+password+space+authorized number”**

Example: Send SMS **“noadmin123456 13612345678”**. "noadmin" is instruction, "123456" is password, "13612345678" is authorized number. It will reply “noadmin ok!”.

Send SMS **“requestdeleteadmin”** deleted all authorized number.

#### 4. Change the Password

Send SMS: **“password+old password+space+new password”** to change the password.

Example: Send SMS **“password123456 138138”**. "password" is instruction, "123456" is old password, "138138" is new password. Password must be six digits. Tracker's initial password is 123456.

#### 5. Resume the initial password

If you forget your password, you can resume the initial password 123456.

Send **“resumepassword”** to the tracker, the tracker will resume the initial password. If there is no authorized numbers, all numbers can resume initial password. If there is already authorized numbers, only the authorized numbers can resume initial password.

#### 6. Control Oil

Send SMS **“stopoil+password”** to control oil. For example send SMS: stopoil123456

"stopoil" as instruction, "123456" as password.

To supply the oil again, send SMS **“supplyoil+password”** to the unit. For example, send

SMS "Supplyoil123456" to the tracker. "Supplyoil" as instruction, "123456" as the password.

### 7. Control Circuit

Send SMS **"stopelec+password"** to control circuit. For example send SMS: "stopelec123456".  
"stopoil" as instructions, "123456" as the password.

To supply the circuit again, send SMS **"supplyelec+password"** to the unit. For example, send SMS "Supplyelec123456" to the tracker. "supplyelec" as instruction, "123456" as password.

### 8. Switch between "tracker" and "monitor"

Send SMS **"tracker+password"** to the unit, it will reply "tracker ok!". For example send SMS "tracker123456".  
In this mode, you can get position SMS by call tracker. **Default :tracker**

Send SMS **"monitor+password"** to the unit, and it will reply "monitor ok!" and switch to "monitor" mode. For example send SMS: "monitor123456". In this mode, you can monitor tracker by call tracker card number.

### 9. "Monitor"

There are three modes for monitor.

- 1) All Monitor Mode: Send SMS **"allmonitor"** to the unit, the unit will return to this mode. In this mode, any number can monitor this unit.
- 2) Restrict Monitor Mode: Send SMS **"restrictmonitor"** to the unit, the unit will return to this mode. In this mode, authorized number can monitor this unit.
- 3) Close Monitor Mode: Send SMS **"closemonitor"** to the unit, the unit will return to this mode. In this mode, all numbers can not monitor this unit.

### 10. Movement alert

Set up: The user can send SMS **"move+password"** to the unit, then the unit will reply "move ok!". In case of such a movement, it will send SMS "move+Geo-info" to the number.

For example, send SMS "move123456" to the unit. "move" as instructions, "123456" as password.

Cancel: Send SMS **"nomove+password"** to deactivate the movement alert.

**Default radius is 200 meters, if GPS tracker moves out this radius, then it will send SMS alert.**

### 11. Overspeed alert

Set up: Send SMS **"speed+password+space+080"** to the unit (support the speed is 80km/h).

Example, send SMS "speed123456 080". "speed" as instruction, "080" as limit speed, "123456" as password.

Cancel: Send SMS **"nospeed+password"** to deactivate the overspeed alert.

### 12. Geo-fence

Set up a geo-fence for the unit to restrict its movements within a district. The unit will send the message to the authorized numbers when it breaches the district.

Set up: The user can Send SMS **"stockade+password+space+MinLatitude,MinLongitude;MaxLatitude,MaxLongitude"** to unit to set the restricted district. In case of breach, it will send SMS "stockade! + geo-info" to the authorized numbers.

For example send SMS "stockade123456 22.548123,114.081234;22.549123,114.082234" to the unit.

Remark: The first latitude & longitude is coordinate of min of the Geo-fence, while the second latitude & longitude is the coordinate of the max. It will alarm one time in each setting.

Cancel: Send SMS **"nostockade+password"** to deactivate this function.

This function will be out of effect after the unit moves outside the district.

### 13. Restart the tracker.

Send SMS **“reboot+password”** to the tracker. For example “reboot123456”. The tracker will be restarted. It will reply “system will reboot...”.

### 14. Enquiry Positioning

Send SMS **“position”** to the unit, then the unit will send SMS with real-time longitude and latitude to the cell phone.

If you have set authorized phone number, then GPS tracker will only send message to authorized phone number.

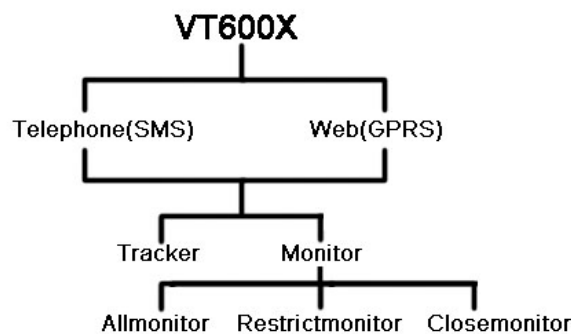
If you do not set authorized phone number, then it can reply to any number.

### 15. Modes switch between “telephone” and “web”

Set up: Send SMS **“web+password”** to device. For example, the password is 123456. Send SMS “web123456” to the device, the device will reply SMS “set web ok”. After this, the tracker will report the GPS data to IP address. **Default :web**

If you want to send GPS data to telephone, you can send SMS **“telephone+password”** to device, the device will reply “set telephone ok”. And then, the device will send GPS data to your telephone by SMS.

#### Relations diagram:



### 16. Modify IP address and port

The IP address and port of the tracker can be modified and transferred data to other platform. Send SMS **“ip+ip address+port+port value”** to the unit. If the platform’s IP address and port is 58.64.205.22 and 7000, send SMS “ip58.64.205.22port7000” to the tracker. It will reply “set IP address and PORT ok.”. After this, device will send GPS data to this IP and Port. **Default ip:58.64.205.22 port:7000**

### 17. Set APN

#### Case 1 (No apn user name and apn password)

In order to send GPS data to IP address, you still must set mobile network Access Point Name (APN). If you don’t know the APN, you can consult local network service supplier. The format of set APN is **“apn+password +space+apn name”**. For example you send SMS “apn123456 cmnet” to the device. The device will reply SMS “Set APN ok.” **Default APN:cmnet**

#### Case 2 (Need apn user name and apn password)

1. Send SMS **“apn+password +space+apn name”**

**Example:**apn123456 cmnet

2.Send SMS **“user+space+apn user name+space+apn password”**

**Example:** user telecom abc1234

“user” is command, “telecom” is APN user name, “abc1234” is APN password. After send SMS, tracker will reply “Set GPRS User and Password ok .” .

### 18. Set country time zone

In the default, tracker reply position SMS time is UTC time. After you can set zone time, tracker will reply the time of your country. The format is **“zone+password+space+time zone value”**. For example, “zone123456 8” is set east 8 time zone. Time zone value ranges from -12 to 12. One time zone stands for one hour. “zone123456 -8” is set west 8 time zone. After send SMS, tracker will reply “Set Time Zone OK.”.**Default time zone: 0**

### 19. Set ACC open and close send data interval

You can set the interval of send data when ACC open and close. The format of set ACC open interval is **“acon+time interval”**. For example “acon 007” stand for when ACC open send data for every 7 seconds.

**Default : 15 seconds**

The format of set ACC close interval is **“accoff+time interval”**. For example “accoff 480” stand for when ACC close send data for every 480 seconds. **Default : 480 seconds.**

### 20. Set ACC open and close send SMS notify

You can set the SMS notify of when ACC on and off. The format of set is **“accnotify+1 or 0”**. For example “accnotify1” stand for when ACC on and off send SMS to authorized numbers. “accnotify0” stand for close send SMS notify. In order to use this function, you must set authorized numbers.

### 21. Get GPS Info with Google Format

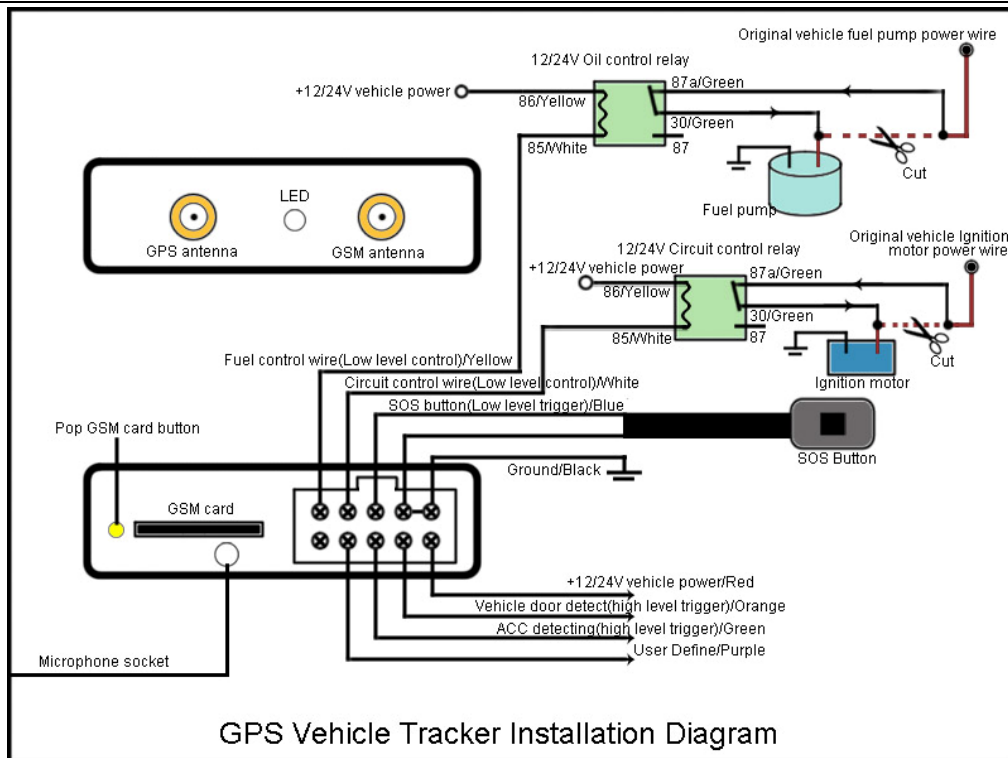
You can get latitude and longitude with Google website format. So you can open map directly by mobile. The format of SMS is **“google”**. After you send SMS, tracker will reply GPS info with google website format.

### 22. Set call reply SMS format

You can set reply SMS format after you call tracker. The format of SMS is **“geosms+1 or 2”**. Example:“geosms1” set reply SMS format as “position”. “geosms2” set reply SMS format as “google”.

### ◆Installation diagram of The Tracker

## VT600X USER MANUAL



### ◆GPS Vehicle Tracker Installation

GPS tracker should be installed by technical professional of local service centre. Without permission, the user can't repair and move the tracker randomly. If users do, any unfortunated damage should be compensated by himself.

Installation steps (caution: the following installation should under no power, otherwise will be dangerous)

**1. Power supply line: The red wire connects 12V“+”;Black wire connects to 12V“-”**

**2. Wire for cutting off oil of the tracker(Yellow Wire)**

Yellow wire connects the relay pin 86; 85 pin connect to 12 V DC , 87a pin and 30 pin in series power supply circuits. Caution: Wrong connection of yellow wire will damage the tracker.

**3. Wire for cutting off circuit of the tracker(White Wire)**

White wire connects relay pin 86; 85 pin to 12 V DC, 87a pin and 30 pin are in series power supply circuits. Caution: Wrong connection of yellow wire will damage the tracker.

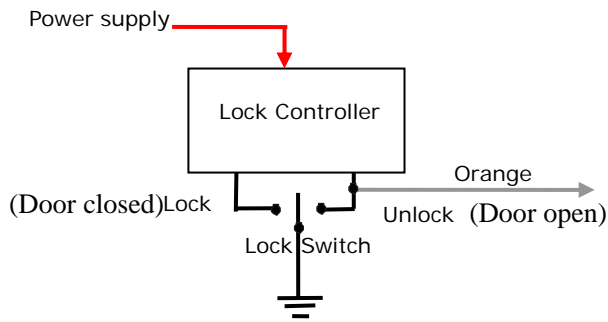
**4. Emergency triggering (SOS) alarm (Blue Wire)**

The blue wire connects the positive of the alarm button, and the black wire connects the negative of the alarm button.

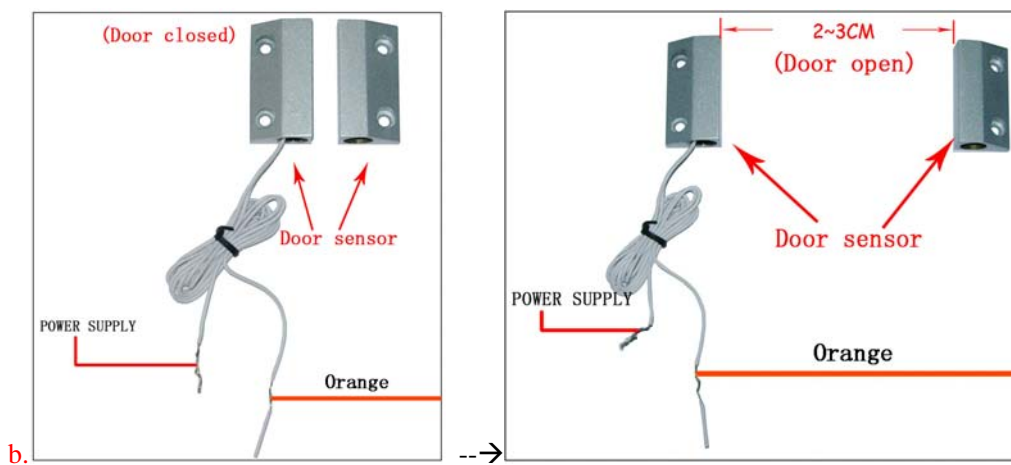
**5. Vehicle door detect, high level trigger(If you need low level trigger,please tell us) (Orange Wire)**

The orange wire connects with Door sensor.





Picture a.



Picture a. Use car Lock Controller Connect and state diagram.(Door closed/Open)

Picture b. Door sensor Connect and state diagram (Door closed/Open)

**6.Purple Wire (User Define)**

Track by 900D web based tracking software

Enable GPRS

Set APN

Send the SMS to the tracker as following format

	Command	Remark
<b>Set APN: Case 1 (No apn user name and apn password)</b>		
<b>Command format:</b>	<b>apn+password+space+apn name</b>	default password:123456
<b>For example:</b>	<b>apn123456 cmnet</b>	apn : Command code 123456: password, default 123456 cmnet: APN, is gateway to connect internet, Each country is different, please contact your SIM card provider for APN name.
<b>Set APN: Case 2 (Need apn user name and apn password)</b>		

## VT600X USER MANUAL

<b>1.Command format:</b>	<b>apn+password+space+apn name</b>	default password:123456
<b>For example:</b>	<b>apn123456 cmnet</b>	apn : Command code 123456: password, default 123456 cmnet: APN, is gateway to connect internet, Each country is different, please contact your SIM card provider for APN name.
<b>2.Command format:</b>	<b>user+space+apn user name+space+apn password</b>	
<b>For example:</b>	<b>user telecom abc1234</b>	user: Command code telecom: is GPRS user name abc1234: is GPRS password

### Set IP and Port

Send the SMS to the tracker as following format:

	Command	Remark
<b>Command format:</b>	<b>ip+ip address+port+port value</b>	
<b>For example:</b>	<b>ip58.64.205.22port7000</b>	ip : Command code <b>58.64.205.22</b> 900D Platform server IP <b>7000</b> 900D Platform server software Port

### Upload data in preset time when ACC ON

Send the SMS to the tracker as following format:

	Command	Remark
<b>Case 1:</b>		
<b>Command format:</b>	<b>acon+time interval</b>	
<b>For example:</b>	<b>Acon007</b>	acon : Command code In this example: VT600X will send location every 7 seconds when car moving(ACC ON).

### Upload data in preset time when ACC OFF

	Command	Remark
<b>Command format:</b>	<b>acoff+time interval</b>	
<b>For example:</b>	<b>acoff480</b>	acoff : Command code In this example: VT600X will send location every 480 seconds when car stop(ACC OFF).

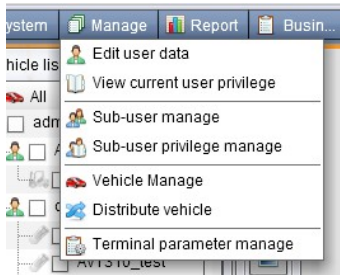
Please go to <http://www1.igpstracking.net/>

Enter the user name and password we provided.

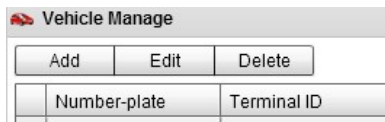
## VT600X USER MANUAL

Enter the user name and password we provided.

After log in, please go to “Vehicle Manager-Vehicle List”



You will see the below window



Please click “Add” button, you will see the below window:



License Plate: Define by yourself; you can enter A-Z number or Numeric

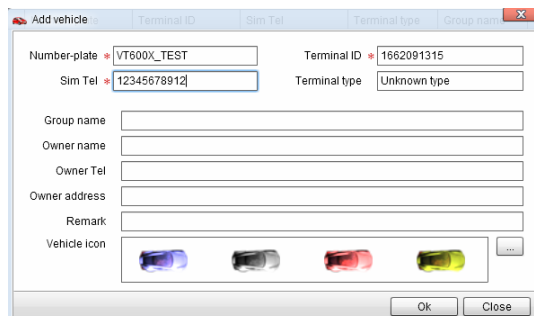
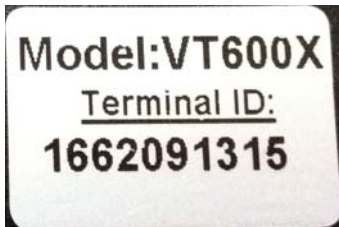
**Very Important Note:** Terminal ID and Plate number are unique on the software, you can add once only, you need to delete it from database before adding it again. Only admin account can delete id from database, general user cannot. You do not need to delete and re-add if the device cannot work on software, because it's caused by your wrong sms setting, not the software.

Terminal Type: **Do not choose.**

SIM card: the SIM card phone number you put in VT600X or any number.

Terminal ID: On the vehicle of VT600X, you can find the “Terminal ID”.

**Very Important Note: Please do not omit the minus if there's a minus before the terminal ID.**

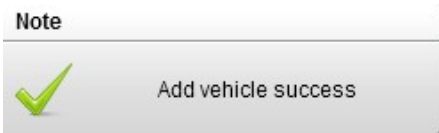


Or

# VT600X USER MANUAL



Click "Submit", and then you add the GPS tracker VT600X successfully on the software 900D.



Wait few seconds, and you will see the GPS Tracker online icon on software



Put a check mark on the device, and right click, you will see the menu as below picture. Now you can track online.



**Attention: For 900D GPS Software, "Monitor" and "Number Plate" must be checked till the font becomes blue, then the GPS tracker will update location automatically on map. Like below picture:**



## ◆Application

1. Vehicle Rental/Special Tracking System
2. Finance and Insurance Business Tracking System
3. Car Commanding and Dispatching System
4. Heavy Construction Vehicles Tracking Device
5. Shipping Cargoes Tracking

## ◆Specs.

## VT600X USER MANUAL

Content	Specs.
Dim.	87 * 64 * 26 (mm)
Weight	495g
Network	GSM/GPRS/GPS
Band	900/1800MHz or 850/900/1800/1900MHz
GPS chip	SiRF III chip
GSM/GPRS Module	SIM300 or SIM340
GPS sensitivity	-159dBm
GPS accuracy	5 m
Time To First Fix	Reacquisition 0.1s Cold status 45s Warm status 35s Hot status 1s
Work Voltage	DC 9V—30V
Battery	Chargeable changeable 3.7V / 1.2Ah Li-ion battery
Standby work current	< 30mA
Storage Temp.	-40°C to +85°C
Operation Temp.	-20°C to +70°C
Humidity	5%--95% non-condensing

### ◆ Command Set

No.	Function	SMS	Reply
2	Add Number	Admin123456 13612345678	Admin ok
3	Delete Number	Noadmin123456 13612345678	Noadmin ok
4	Change password	Password123456 138138	Change password ok
5	Resume password	resumepassword	Resume password ok
6	Control oil	Stopoil123456	Stop oil ok
		Supplyoil123456	Supply oil ok
7	Control circuit	Stopelec123456	Stop electricity ok
		Supplielec123456	Supply electricity ok
8	Switch between “tracker” and “monitor”	Tracker123456	Tracker ok
		Monitor123456	Monitor ok

**VT600X USER MANUAL**

9	monitor mode	AllMonitor	Set all monitor ok
		RestrictMonitor	Set restrict monitor ok
		CloseMonitor	Set close monitor ok
10	Movement alert	Move123456	Move ok
		Nomove123456	Cancel move ok
11	Overspeed alert	Speed123456 080	Speed ok
		Nospeed123456	Cancel speed ok
12	Geo fence alert	Stockade123456 coordinate;coordinate	Set stockade ok
		Nostockade123456	Cancel stockade ok
13	Restart tracker	Reboot123456	System will reboot
14	Enquiry position	position	GPS info
15	Set auto track mode	Telephone123456	Set telephone ok
		Web123456	Set web ok
16	Set ip and port	ip58.64.205.22port7000	set IP address and PORT ok
17	Set APN	Apn123456 cmnet	Set apn ok
18	Set APN user name and password	User telecom abc1234	Set GPRS user name and password ok
19	Set time zone	Zone123456 8	Set time zone ok
20	Set ACC open and close interval	Accon007	Set ACC ON Interval OK.
		Accoff480	Set ACC OFF Interval OK.
21	Set ACC open and close SMS notify	Accnotify1	Set ACC Notify OK.
		Accnotify0	Set ACC Notify OK.
22	Get Google format GPS info	Google	GPS info with Google website format
23	Set reply SMS format	Geosms1/Geosms2	Set Geo SMS Format OK

**VT600X USER MANUAL**

24	<b>Read All Parameters</b>	TCP	<b>TP</b> (IP Address) <b>.P</b> (Port) <b>DD</b> (Tracker ID) <b>F</b> (Send fail quantity) <b>S</b> (Send success quantity) <b>mm dd yy</b> (Device version date) <b>E</b> (English) <b>C</b> (Chinese) <b>HJ</b> (Standard version)
25	<b>Read APN info</b>	info	<b>M</b> :(mileage) <b>A</b> : <b>C</b> (apn name) <b>U:AC</b> :(Upload data in preset time) <b>G:0001</b>