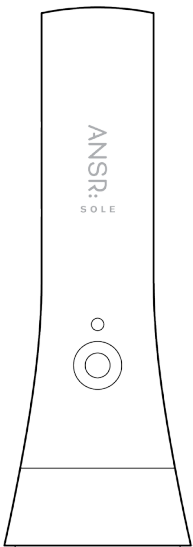


ANSR:SOLE

Rechargeable Handheld Callus Remover



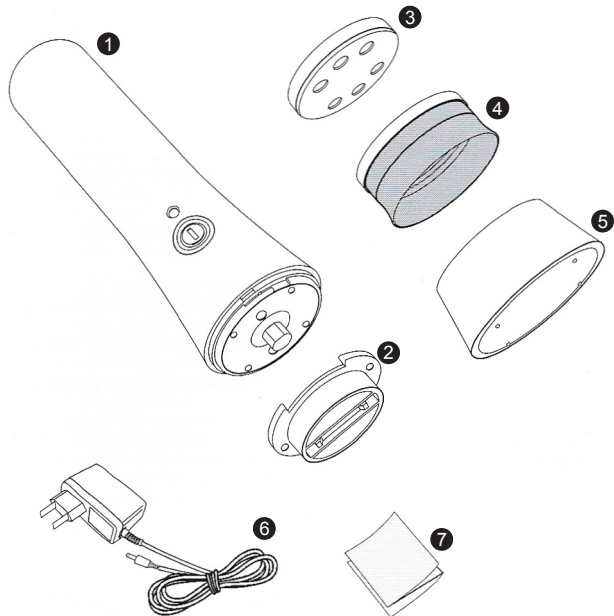
User Manual

Introduction

Thank you for purchasing the ANSR: SOLE.
Please read and observe all warnings and instructions in this manual prior to use and retain for future reference.



Package Contents



1 Main Body
2 Debris Container
3 Polishing Plate
4 Silicon Guard Ring

5 Cover
6 Charger
7 Instruction Manual



IMPORTANT SAFETY INSTRUCTIONS

Read all instructions before using this device.

WARNING

Follow these instructions to reduce risk of electrical shock:

- 1 If device is submerged into water, unplug immediately, do not use.
- 2 Do not place or store device while plugged in where it can fall and be submerged in water.
- 3 Do not place or drop into water or another liquid while plugged in.
- 4 Always unplug device from electrical outlet after charging.
- 5 Unplug device before cleaning.
- 6 Do not dismantle battery, place under water or put in fire.
- 7 Do not touch battery with wet hands and do not apply shock or damage the battery.
- 8 Do not touch positive and negative socket to other metals.

Follow these instructions to reduce risk of burns, fire, electrical shock, or injury to persons:

- 1 Not intended for use by, on or near children.
- 2 Do not operate device if it has a damaged cord or plug, if it is not working properly, if it has been dropped or damaged, or submerged in water.
- 3 Callus remover is only intended for use as stated in this manual.
- 4 Do not use any attachment not mentioned in this manual.
- 5 Keep cord, plug and device away from heat sources.
- 6 Do not use callus remover while plugged into charger or electrical outlet.



- Do not attempt to dismantle the device



- Do not use device within 50cm(20in) of your face



- Do not touch any part of the charger with wet hands

CAUTIONS

- 1 Stop using product immediately if you feel pain.
- 2 Do not touch motor or polishing plate while in operation.
- 3 Stop using product if you hear unusual noise.
- 4 Stop using product if the main body is hot.
- 5 Keep device at least 50cm (20in) from face while in operation.
- 6 Do not allow debris to get into eyes, nose, mouth or ears.
- 7 Do not use device if you have a nail or skin disease.
- 8 Consult your physician prior to use if you have extremely thick calluses, dermatitis or blood circulation disorder.
- 9 Wipe this product with a dry cloth. Do not use any cleaning agents such as benzene or alcohol.
- 10 When using device lay down towel or mat, as debris may be scattered.
- 11 Store this product in a dry area with all components well dried.
- 12 Do not drop device. This may lead to damage, breakage or malfunction.
- 13 While in operation, do not concentrate polishing plate to any one area of the foot as this may generate frictional heat, pain or wounds.
- 14 Do not use more than 10 minutes at a time, or 30 minutes a day.
- 15 Before use, make sure polishing plate is in normal condition. Any malfunction, distortion or damage may lead to injury.
- 16 Do not push too forcefully to stop polishing plate. Stopping of plate during use may overload and cause malfunction.
- 17 Remove device from charger after the battery is fully charged.



How to Assemble/Disassemble

Read instructions on how to disassemble and assemble parts before use.

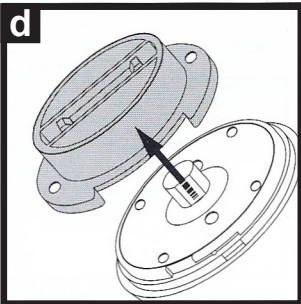
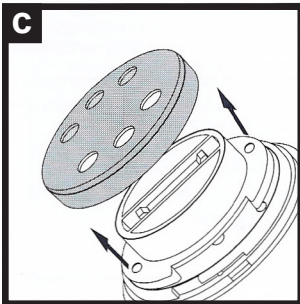
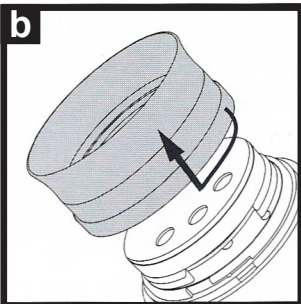
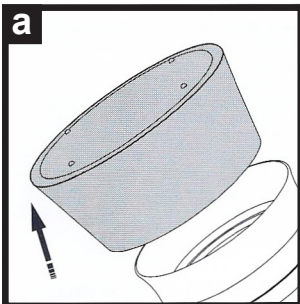
How to Disassemble

- 1 Open cover. **a**
- 2 Turn guard ring clockwise to detach it from the main body. **b**
- 3 Lift the polishing plate up to detach it from the callus debris container. **c**
- 4 Lift up on the debris container to detach it from the main body. **d**

How to Assemble

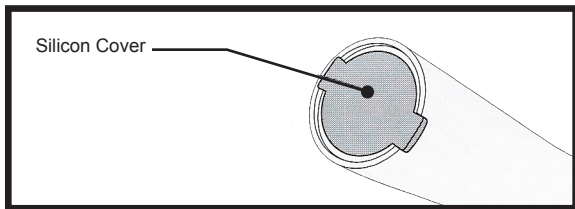
- 1 Connect debris container to the main body's motor shaft.
ⓘ When connecting to the motor shaft, check for proper direction and move downwards to connect.
ⓘ Do not attempt to connect forcefully, this may cause misalignment or separation of magnet.
- 2 Connect the polishing plate to the debris container.
- 3 Match the circular protrusion of the main body with that of the guard ring and turn ring counter clockwise for connection to the main body.
- 4 Close cover.





How to Charge Battery

- 1 Fully charge battery before using the device for the first time.
- 2 A red light indicates the charger is connected to an electrical outlet and the jack located on the device.
- 3 A green light indicates the device is fully charged.
- 4 Remove device from charger before use.
- 5 To charge fully, plug in device for 3-4 hours. Do not charge for longer than 5 hours.
- 6 The product must be turned off to charge properly.
- 7 Re-cover the jack on the bottom with silicon cover. Keep cover closed at all times unless charging.



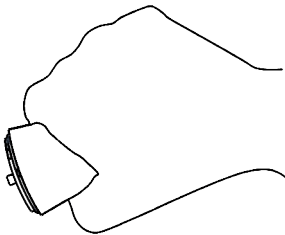
How to Use/Directions for Cleaning

How to Use

- 1 Remove cover and press button once to power on.
- 2 Move the device around on foot to remove callus. Do not use on a single area.
- 3 Use up to 10 minutes at once, and only 30 minutes a day.
- 4 Press button once to stop motor.
- 5 Remove Guard Ring by turning clockwise.
- 6 Lift the plate up to separate from the main body.
- 7 Lift the debris container to separate from the main body.
- 8 Discard contents from the debris container by turning upside down and tapping lightly. Wash out debris container with water and dry.
- 9 Refer to assembly directions of page 5.

Directions for Cleaning

- 1 Remove cover, silicon guard ring, polishing plate and debris container from main body of device.
- 2 Discard contents from the debris container by turning upside down and tapping lightly.
- 3 Rinse removed components with water and dry thoroughly.
- 4 Lightly wash the surface around the motor shaft. Keep water from seeping into jack and power button. Grip as shown below while cleaning, covering power button with hand.
- 5 Keep silicon lid tightly closed to prevent water or other debris from getting in.



Useful Tips for Callus Removal

- 1 In order to effectively remove callus, adjust the speed and pressure of polishing place depending on the condition of the callused skin.
 - 2 When the plate is rotating, apply pressure to reduce its speed and increase force.
 - 3 Move the plate around the callus and surrounding skin. Do not keep on one specific area.
 - 4 Recommended Procedure:
 - a Soak feet in warm water for 10 minutes to soften skin.
 - b Exfoliate with device.
 - c Rinse feet.
 - d Apply lotion to the skin after removal to increase effectiveness.
- ❗ Polishing plate is a consumable part. If callus removing ability becomes decreased, replace polishing plate.
- ❗ Design or components are subject to redesign to improve performance or convenience without notice.



Product Information

The device is shipped with all components attached to main body. Familiarize yourself with all components and how to disassemble/assemble the device prior to use.

Product Specifications

Charger Input Voltage: 100~240Vac

Charger Input Frequency: 50/60Hz

Charger Output: 4.2V,600mA

Main Body's Rated Voltage: 3.6V(Ni-MH battery)

Dimension of the Main Body: (cm): 6.0x17.5x6.0 (width x height x depth)

(inch): 2.4x6.9x2.4 (width x height x depth)



Product Warranty & Servicing

For additional information about this product or questions regarding problems during use, contact 1-800-890-8373.

Warranty Exceptions

- 1 Damage to product or parts caused by misuse, abuse, negligence or unauthorized alteration.
- 2 General wear and tear including splitting, scratches, wear out, and/or discoloration.

Product Warranty

- 1 We warrant this product to be free from defect in material and workmanship for a period of one (1) year.
- 2 In order to receive service during this period, you must provide proof of purchase (i.e. receipt with purchase item and date, product warranty card) indicating the service request date is within the warranty period.
- 3 The polishing plate is not covered under warranty due to normal wear.



Warranty Registration

Visit www.ANSR.com/warranty to register your product. Or complete the warranty registration information on this page, detach, and mail with copy of receipt of purchase to:

ANSR:
SOLE Warranty Registration
PO BOX 10087
Portland, OR 97296

Product Name: _____

Model Name: _____

Date of Purchase: _____

Purchased From: _____

Name of Purchaser: _____

Address: _____

Telephone: _____

Email: _____

How did you become aware of the ANSR: SOLE? _____

Please include me on your email list: YES NO



