

# 3MP IR Bullet Camera (4mm)

## NVC-BM1

Quick Guide



## **Table of Contents**

<b>Overview .....</b>	<b>3</b>
<b>Installation .....</b>	<b>5</b>
<b>Setup using Hills' NVR .....</b>	<b>8</b>
<b>Setup using remote software .....</b>	<b>9</b>
<b>Specifications .....</b>	<b>13</b>

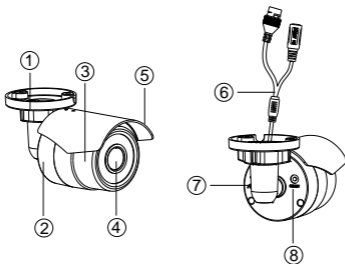


Figure 1-1 Bullet camera overview



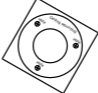

Table 1-1 Description

No.	Description
1	Adjustable Bracket
2	Back Box
3	Front Box
4	Lens
5	Sun Shield
6	Power & Network cable
7	Grounding Screw
8	Reset

Quick Guide **Bullet Camera**

---

Table 1-2 Carton contents

Camera	
Quick Guide	
Drill template	
Mounting hardware 3x Expansion screws	

***Checklist before you start***

- All carton contents present and are in good conditions.
- Ensure power supplies are off during installation.
- Power supply voltage rating as specified in product specifications.
- Installation environment is as specified.
- Contact your dealer if product does not function properly. Do not attempt to repair yourself.
- Wall or mounting platform is strong enough to withstand three times the weight of the camera.

**Steps:**

1. Attach the drill template on the wall.

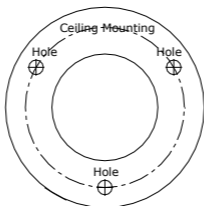


Figure 2-1 Attach the template

2. Secure the camera to the ceiling with the supplied expansion mounting.

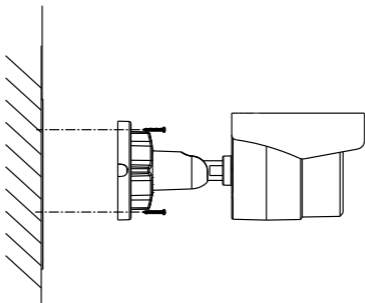


Figure 2-2 Secure the camera to the ceiling

3. Adjust the field of view

- 1). Loosen the adjustable nut on the bracket.
- 2). Adjust the panning angle [0~360°] of the camera.
- 3). Adjust the tilting angle [0~90°] of the camera.
- 4). Rotate 0~360° to adjust angle of the image.
- 5). Tighten the adjustable nut to complete the installation.

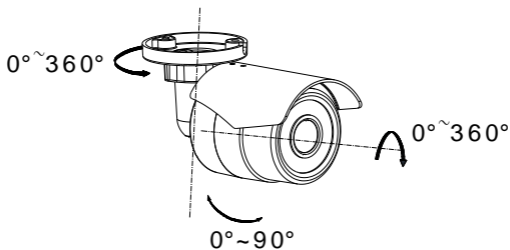


Figure 2-3 3-axis adjustment

The Hills Video Security IP cameras (NVC-MB1, NVC-DM1, NVC-DT1 and NVC-DF1) have a pre-loaded protocol that works immediately with Hills Video Security NVRs (NVR-CH4, NVR-CH8 and NVR-CH16) as soon as they are connected.

Connect the camera via a network cable to one of the PoE network interface sockets at the back of the NVR.

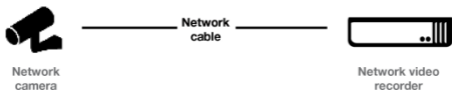


Figure 3-1 NVR – Camera connection

Please refer to User Manual of NVR to add and edit a camera.



**Setup using remote software****4**

To view and configure the camera via LAN (Local Area Network), you need to connect the network camera in the same subnet with your PC. Then install the PC client software to search and change the IP address of the network camera.

The following figure shows the cable connection of a network camera and a PC:

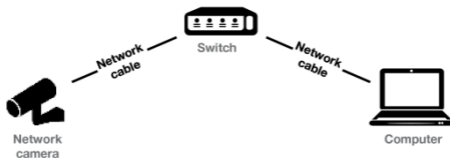


Figure 4-1 Wiring over LAN

**Set the IP address of the camera for accessing via LAN.****Steps:**

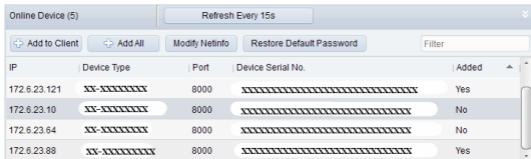
1. Use PC Client software to detect the online devices. Please refer to the user manual of PC client software for detailed information.

- **Search online devices automatically**

After launching the PC Client software, it automatically searches the online devices every 15 seconds from the subnet where your computer is located.

It displays the total number and information of the searched devices in the Online Devices interface.

Go to **Device Management**, and click **Server** tab on the top-left of the window, and you can see the online devices listed on the bottom right of the window.



The screenshot shows a web interface titled "Online Device (5)" with a "Refresh Every 15s" button. Below the title are buttons for "Add to Client", "Add All", "Modify Netinfo", "Restore Default Password", and a "Filter" input field. The main content is a table with the following data:

IP	Device Type	Port	Device Serial No.	Added
172.6.23.121	XX-XXXXXXXX	8000	XX	Yes
172.6.23.10	XX-XXXXXXXX	8000	XX	No
172.6.23.64	XX-XXXXXXXX	8000	XX	No
172.6.23.88	XX-XXXXXXXX	8000	XX	Yes

Figure 4-2 Search online devices

## Note:

Devices can be searched and displayed in the list in 15 seconds after they go online; they will be removed from the list in 45 seconds after it went offline.

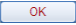
### • Search online devices manually

You can also click **Refresh Every 15s** to refresh the online device list manually. The newly searched devices will be added to the online list.

- Change the IP address and subnet mask to the same subnet as of your PC.

### Steps:

- Click the device to be modified in the device list and click **Modify Netinfo** to modify the network parameters.

- 2). Edit the modifiable network parameters, e.g. IP address and port number.
- 3). Enter the admin password in the Manager Password field and click  to save the changes.



**Modify the Selected Device**

**Device Information:**

MAC Address: 00-40-49-7f-0a-b7

Software Version: V5.0.0build 130801

Device Serial No.: XXXXXXXXXXXXXXXXXXXXXXXXXX

**Network Information:**

IP address:

Port:

Subnet Mask:

Gateway:

Manager Password:

Figure 4-3 Modify network parameters

**Note:**

- By default DHCP is enabled. Camera will search for DHCP server for a duration of 30 seconds. If there isn't DHCP server in the network then use default fixed IP address.
- Default fixed IP address is "10.1.1.1" and Subnet mask is "255.0.0.0". The default user name is "admin", and password is "admin".

- For accessing the network camera from different subnets, please set the gateway for the network camera after you log in.

Camera	
Image Sensor	1/3" Progressive Scan CMOS
Min. Illumination	0.07Lux @ (F1.2, AGC ON), 0 Lux with IR
Shutter Speed	1/3 s to 1/100,000 s
Lens	4mm@ F2.0
	2048 × 1536: Angle of view: 70° 1920 × 1080: Angle of view: 79°
Lens Mount	M12
Day & Night	IR cut filter with auto switch
Digital Noise Reduction	3D DNR
Wide Dynamic Range	Digital WDR
Compression Standard	
Video Compression	H.264/ MJPEG
Video Bit Rate	32 Kbps – 12 Mbps
Dual Stream	Yes

## Quick Guide **Bullet Camera**

Image	
Max. Resolution	2048×1536
Frame Rate	50Hz: 20fps (2048 × 1536), 25fps (1920 × 1080), 25fps (1280 × 720)
Image Settings	Rotate mode, Saturation, Brightness, Contrast adjustable by client software or web browser
Backlight compensation	Yes, zone optional
ROI	Support
Network	
Network Storage	NAS (Support NFS,SMB/CIFS)
Alarm Trigger	Line Crossing, Intrusion Detection, Motion detection, Dynamic analysis, Tampering alarm, Network disconnect , IP address conflict, Storage exception
Protocols	TCP/IP,ICMP,HTTP,HTTPS,FTP,DHCP,DNS,DDNS,RTP,RTSP,RTCP, PPPoE,NTP,UPnP,SMTP,SNMP,IGMP,802.1X,QoS,IPv6,Bonjour
General	One-key reset, Flash-prevention, dual stream, heartbeat, mirror, password protection, privacy mask, watermark, IP address filtering, Anonymous access
Standard	ONVIF, PSIA, CGI, ISAPI

## Quick Guide **Bullet Camera**

Interface	
Communication Interface	1 RJ45 10M/100M Ethernet interface
Reset Button	Yes
General	
Operating Conditions	-30 °C – 60 °C (-22 °F – 140 °F) Humidity 95% or less (non-condensing)
Power Supply	12 V DC ± 10% PoE (802.3af)
Power Consumption	Max. 7 W with IR on
Ingress Protection level	IP66
IR Range	Approx. 20 to 30 meters
Dimensions	60.4×76.9×139.28 mm (2.4" × 3.0" × 5.5")
Weight	500g (1.1 lbs)
Part No.	S47090

For further information, including full user and installation manual, and technical support please visit:

[www.hills.com.au/videosecurity](http://www.hills.com.au/videosecurity)