

Mobile Phone user manual

Some of the contents in this manual may differ from your phone depending on the software of the phone or your service provider.

www.samsungmobile.com

Printed in Vietnam  
Code No.:GH68-21719A  
English (SEA). 02/2009. Rev. 1.0



Safety warnings

Keep your phone away from small children and pets

Keep your phone and all accessories out of the reach of small children or animals. Small parts may cause choking or serious injury if swallowed.

Protect your hearing



Listening to a headset at high volumes can damage your hearing. Use only the minimum volume setting necessary to hear your conversation or music.

Install mobile phones and equipment with caution

Ensure that any mobile phones or related equipment installed in your vehicle are securely mounted. Avoid placing your phone and accessories near or in an air bag deployment area. Improperly installed wireless equipment can cause serious injury when air bags inflate rapidly.

Handle and dispose of batteries and chargers with care

- Use only Samsung-approved batteries and chargers specifically designed for your phone. Incompatible batteries and chargers can cause serious injuries or damage to your phone.
- Never dispose of batteries or phones in a fire. Follow all local regulations when disposing used batteries or phones.
- Never place batteries or phones on or in heating devices, such as microwave ovens, stoves, or radiators. Batteries may explode when overheated.
- Never crush or puncture the battery. Avoid exposing the battery to high external pressure, which can lead to an internal short circuit and overheating.

Avoid interference with pacemakers

Maintain a minimum of 15 cm (6 inches) between mobile phones and pacemakers to avoid potential interference, as recommended by manufacturers and the independent research group, Wireless Technology Research. If you have any reason to suspect that your phone is interfering with a pacemaker or other medical device, turn off the phone immediately and contact the manufacturer of the pacemaker or medical device for guidance.

Turn off the phone in potentially explosive environments

Do not use your phone at refuelling points (service stations) or near fuels or chemicals. Turn off your phone whenever directed by warning signs or instructions. Your phone could cause explosions or fire in and around fuel or chemical storage and transfer areas or blasting areas. Do not store or carry flammable liquids, gases, or explosive materials in the same compartment as the phone, its parts, or accessories.

Reduce the risk of repetitive motion injuries

When sending text messages or playing games on your phone, hold the phone with a relaxed grip, press the keys lightly, use special features that reduce the number of keys you have to press (such as templates and predictive text), and take frequent breaks.

CE 0168



Safety precautions

Drive safely at all times

Avoid using your phone while driving and obey all regulations that restrict the use of mobile phones while driving. Use hands-free accessories to increase your safety when possible.

Follow all safety warnings and regulations

Comply with any regulations that restrict the use of a mobile phone in a certain area.

Use only Samsung-approved accessories

Using incompatible accessories may damage your phone or cause injury.

Turn off the phone near medical equipment

Your phone can interfere with medical equipment in hospitals or health care facilities. Follow all regulations, posted warnings, and directions from medical personnel.

Turn off the phone or disable the wireless functions when in an aircraft

Your phone can cause interference with aircraft equipment. Follow all airline regulations and turn off your phone or switch to a mode that disables the wireless functions when directed by airline personnel.

Specific Absorption Rate (SAR) certification information

Your phone conforms to European Union (EU) standards that limit human exposure to radio frequency (RF) energy emitted by radio and telecommunications equipment. These standards prevent the sale of mobile phones that exceed a maximum exposure level (known as the Specific Absorption Rate, or SAR) of 2.0 watts per kilogram of body tissue.

During testing, the maximum SAR recorded for this model was 0.865 watts per kilogram. In normal use, the actual SAR is likely to be much lower, as the phone has been designed to emit only the RF energy necessary to transmit a signal to the nearest base station. By automatically emitting lower levels when possible, your phone reduces your overall exposure to RF energy.

The Declaration of Conformity at the back of this manual demonstrates your phones compliance with the European Radio & Terminal Telecommunications Equipment (R&TTE) directive. For more information about the SAR and related EU standards, visit the Samsung mobile phone website.

Protect batteries and chargers from damage

- Avoid exposing batteries to very cold or very hot temperatures (below 0° C/32° F or above 45° C/ 113° F). Extreme temperatures can reduce the charging capacity and life of your batteries.
- Prevent batteries from contacting metal objects, as this can create a connection between the + and – terminals of your batteries and lead to temporary or permanent battery damage.
- Never use a damaged charger or battery.

Handle your phone carefully and sensibly

- Do not allow your phone to get wet—liquids can cause serious damage. Do not handle your phone with wet hands. Water damage to your phone can void your manufacturer's warranty.
- Avoid using or storing your phone in dusty, dirty areas to prevent damage to moving parts.
- Your phone is a complex electronic device—protect it from impacts and rough handling to avoid serious damage.
- Do not paint your phone, as paint can clog moving parts and prevent proper operation.
- Avoid using the phone's camera flash or light close to the eyes of children or animals.
- Your phone and memory cards may be damaged by exposure to magnetic fields. Do not use carrying cases or accessories with magnetic closures or allow your phone to come in contact with magnetic fields for extended periods of time.

Correct disposal of this product

(Waste Electrical & Electronic Equipment)



(Applicable in the European Union and other European countries with separate collection systems)

This marking shown on the product or its literature, indicates that it should not be disposed with other household wastes at the end of its working life.

To prevent possible harm to the environment or human health from uncontrolled waste disposal, please separate this from other types of wastes and recycle it responsibly to promote the sustainable reuse of material resources.

Household users should contact either the retailer where they purchased this product, or their local government office, for details of where and how they can take this item for environmentally safe recycling.

Business users should contact their supplier and check the terms and conditions of the purchase contract. This product should not be mixed with other commercial wastes for disposal.

Avoid interference with other electronic devices

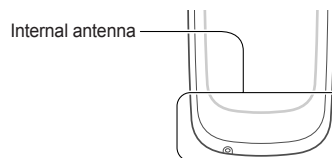
Your phone emits radio frequency (RF) signals that may interfere with unshielded or improperly shielded electronic equipment, such as pacemakers, hearing aids, medical devices, and other electronic devices in homes or vehicles. Consult the manufacturers of your electronic devices to solve any interference problems you experience.



Important usage information

Use your phone in the normal position

Avoid contact with your phone's internal antenna.



Allow only qualified personnel to service your phone

Allowing unqualified personnel to service your phone may result in damage to your phone and will void your warranty.

Correct disposal of batteries in this product



(Applicable in the European Union and other European countries with separate battery return systems)

This marking on the battery, manual or packaging indicates that the batteries in this product should not be disposed of with other household waste at the end of their working life. Where marked, the chemical symbols Hg, Cd or Pb indicate that the battery contains mercury, cadmium or lead above the reference levels in EC Directive 2006/66. If batteries are not properly disposed of, these substances can cause harm to human health or the environment.

To protect natural resources and to promote material reuse, please separate batteries from other types of waste and recycle them through your local, free battery return system.

Ensure maximum battery and charger life

- Avoid charging batteries for more than a week, as overcharging may shorten battery life.
- Over time, unused batteries will discharge and must be recharged before use.
- Disconnect chargers from power sources when not in use.
- Use batteries only for their intended purpose.

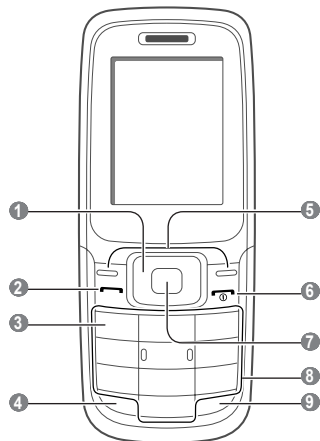
Handle SIM cards and memory cards with care

- Do not remove a card while the phone is transferring or accessing information, as this could result in loss of data and/or damage to the card or phone.
- Protect cards from strong shocks, static electricity, and electrical noise from other devices.
- Frequent writing and erasing will shorten the life span of memory cards.
- Do not touch gold-coloured contacts or terminals with your fingers or metal objects. If dirty, wipe the card with a soft cloth.

Ensure access to emergency services

Emergency calls from your phone may not be possible in some areas or circumstances. Before travelling in remote or undeveloped areas, plan an alternate method of contacting emergency services personnel.

## Phone layout



**1**  
**4-way navigation key**  
In Idle mode, access user-defined menus; In Menu mode, scroll through menu options

**2**  
**Dial key**  
Make or answer a call; In Idle mode, retrieve recently dialed, missed, or received numbers

**3**  
**Voice mail service key**  
In Idle mode, access voice mails (press and hold)

**4**  
**Keypad lock key**  
In Idle mode, lock the keys. (Press and hold)

**5**  
**Softkeys**  
Perform actions indicated at the bottom of the display

**6**  
**Power/Menu exit key**  
Turn the phone on and off (press and hold); End a call; In Menu mode, cancel input and return to Idle mode

**7**  
**Confirm key**  
In Menu mode, select the highlighted menu option or confirm an input

**8**  
**Alphanumeric keys**

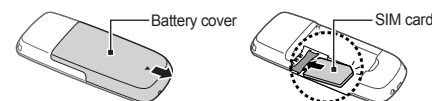
**9**  
**Silent profile key**  
In Idle mode, activate or deactivate the Silent profile (press and hold)

Your phone displays the following status indicators on the top of the screen:

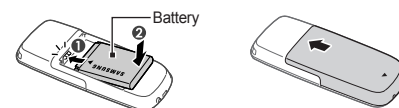
Icon	Description
	Signal strength
	Call in progress
	Call diverting active
	SOS message feature activated
	Alarm activated
	New text message (SMS)
	Message full
	Normal profile activated
	Silent profile activated
	Battery power level

## Install the SIM card and battery

1. Remove the battery cover and insert the SIM card.



2. Insert the battery and replace the battery cover.



## Charge the battery

1. Plug the supplied travel adapter.



To AC power outlet

2. When charging is finished, unplug the travel adapter.

Do not remove the battery from the phone before unplugging the travel adapter first. Otherwise, the phone may be damaged.

## Instructional icons

	<b>Note:</b> notes, usage tips, or additional information
	<b>Followed by:</b> the order of options or menus you must select to perform a step; for example: Press <b>&lt;Menu&gt;</b> → <b>Messages</b> (represents <b>Menu</b> , followed by <b>Messages</b> )
	<b>Square brackets:</b> phone keys; for example: [ <b>Power</b> ] (represents the <b>Power/Menu exit key</b> )
	<b>Angled brackets:</b> softkeys that control different functions at each screen; for example: <b>&lt;OK&gt;</b> (represents the <b>OK softkey</b> )

## Turn your phone on or off

To turn your phone on,

1. Press and hold [**Power**].
2. Enter your PIN and press **<OK>**.

To turn your phone off, repeat step 1 above.

## Access menus

To access your phone's menus,

1. In Idle mode, press **<Menu>** to access Menu mode.
2. Use the navigation key to scroll to a menu or option.
3. Press **<Select>**, **<Save>**, or [**OK**] to confirm the highlighted option.

## Send and view messages

### To send a text message

1. In Menu mode, select **Messages** → **Create new message**.
2. Enter your message text.
3. Press **<Options>** → **Save and send** or **Send only**.
4. Enter a destination number.
5. Press [**OK**] to send the message.

### To view text messages

1. In Menu mode, select **Messages** → **Inbox**.
2. Select a text message.

## Listen to the FM radio

1. Plug the supplied headset into the phone's multifunction jack.
2. In Menu mode, select **FM radio**.
3. Press [**OK**] to start the FM radio.
4. Press **<Yes>** to start automatic tuning.  
The radio scans and saves available stations automatically.
5. Scroll left or right to select a radio station.
6. To turn off the FM radio, press [**OK**].

## Make a call

1. In Idle mode, enter an area code and a phone number.
2. Press [**Power**] to dial the number.
3. To end the call, press [**Power**].

## Answer a call

1. When a call comes in, press [**Power**].
2. To end the call, press [**Power**].

## Adjust the volume

### To adjust the volume of the ringtone

1. In Menu mode, select **Settings** → **Profiles**.
2. Scroll to the phone profile you are using.
3. Press **<Options>** → **Edit**.
4. Select **Volume**.
5. Scroll left or right to adjust the volume level.
6. Press **<Save>**.

### To adjust the volume of voice during a call

While a call is in progress, press the navigation key up or down to adjust the earpiece volume.

The volume through mono earphones is very low or virtually inaudible. Use stereo earphones only.

## Activate the mobile tracker

This feature helps track your phone when it is stolen or when someone tries to use your phone using other SIM card, the phone will automatically send the preset tracking message to family or friends. This feature may be unavailable due to certain features supported by your service provider.

1. In Menu mode, select **Settings** → **Security** → **Mobile tracker 2.0**.
2. Enter your password and press **<OK>**.
3. Select **Settings**.
4. Enter a new 8-digit password for the mobile tracker and press **<OK>**.
5. Enter the new password again and press **<OK>**.
6. Scroll left or right to **On**.
7. Scroll down and press [**OK**] to enter the recipient list.
8. Press **<Options>** → **Phonebook** to open your contact list.
9. Scroll to a contact and press [**OK**].
10. Select a number (if necessary).
11. Press **<Options>** → **Save** to save the recipients.
12. Scroll down and enter the sender's name.
13. Press [**OK**] → **<Accept>**.

By setting the options in **Access remote phone**, you can delete data on your lost phone, or receive calls to the phone or the phone's location information from the specified phone.

## Change your ringtone

1. In Menu mode, select **Settings** → **Profiles**.
2. Scroll to the phone profile you are using.
3. Press **<Options>** → **Edit**.
4. Select **Call ringtone**.
5. Select a ringtone category → a ringtone.

## Call a recently dialed number

1. In Idle mode, press [**Power**].
2. Scroll left or right to select a call type.
3. Scroll up or down to select a number or name.
4. Press [**OK**] to view details of the call or [**Power**] to dial the number.

## Enter text

### To change the text input mode

- Press and hold [**\***] to switch to an input mode. Depending on your region, you may be able to access an input mode for your specific language.
- Press [**\***] to change case or switch to Number mode.
- Press and hold [**#**] to switch to Symbol mode.

### T9 mode

1. Press the appropriate alphanumeric keys to enter an entire word.
2. When the word displays correctly, press [**#**] to insert a space. If the correct word does not display, press [**0**] to select an alternate word.

## Activate and send an SOS message

In an emergency, you can send SOS messages to your family or friends for help.

### To activate the SOS message

1. In Menu mode, select **Settings** → **Application** → **Message** → **SOS messages** → **Sending options**.
2. Scroll left or right to **On**.
3. Scroll down and press [**OK**] to open the recipient list.
4. Press **<Options>** → **Contact list** to open your contact list.
5. Scroll to a contact and press [**OK**].
6. Select a number (if necessary).
7. Press **<Options>** → **Save** to save the recipients.
8. Scroll down and set the number of times to repeat the SOS message.
9. Press **<Save>** → **<Yes>**.

### To send an SOS message

1. With the keys locked, press [**Power**] four times to send an SOS message to preset numbers.  
The phone switches to SOS mode and sends the preset SOS message.
2. To exit SOS mode, press [**Power**].

### ABC mode

Press the appropriate alphanumeric key until the character you want appears on the display.

### Number mode

Press the appropriate alphanumeric key to enter a number.

### Symbol mode

Press the appropriate alphanumeric key to select a symbol.

- To move the cursor, press the navigation key.
- To delete characters one by one, press **<Clear>**. To delete all of the characters, press and hold **<Clear>**.
- To insert a space between characters, press [**#**].
- To enter punctuation marks, press [**1**].

## Add a new contact

1. In Idle mode, enter a phone number and press **<Options>**.
2. Select **Create contact** → a memory location (phone or SIM).
3. Select a number type (if necessary).
4. Enter contact information.
5. Press [**OK**] or press **<Options>** → **Save** to add the contact to memory.

## Set and use alarms

### To set a new alarm

1. In Menu mode, select **Alarms**.
2. Scroll to an empty alarm location and press [**OK**].
3. Set alarm details.
4. Press **<Save>**.

### To stop an alarm

When the alarm sounds,

- Press any key to stop an alarm without snooze.
- Press **<OK>** or [**OK**] to stop an alarm with snooze, or press **<Snooze>** or any key to silence the alarm for the snooze period.

### To deactivate an alarm

1. In Menu mode, select **Alarms**.
2. Scroll to the alarm you want to deactivate and press [**OK**].
3. Scroll left or right to **Off**.
4. Press **<Save>**.

If you have removed the battery after setting an alarm, it will be reset.