

iRelief

Balance in Health



User Manual

MECHANISM OF iRelief

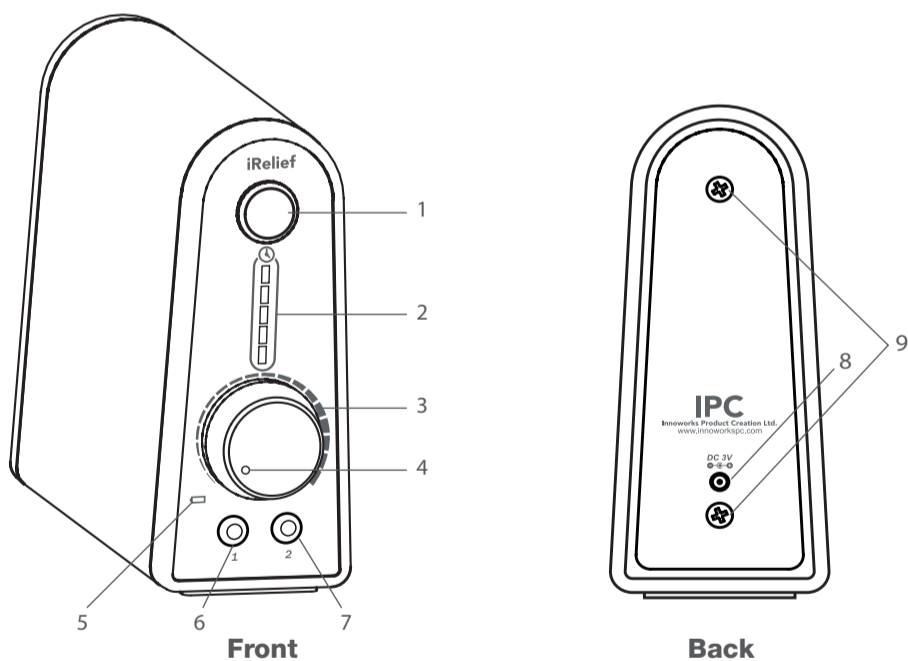
In the pico-world inside all tissue cells, there are a lot of important activities including transmission and exchange of nutrients or metabolic wastes. They govern the overall vitality and health of the each cell. When the vibrations of protons in the body fluids and tissue cells are all in random motions, those activities will be conducted at a very low efficiency. This is revealed by the observations of very weak and slow microcirculation. In the case of pain and illness, the microcirculation of a particular area can even be stagnated. In Chinese medicine, when the meridian flow is blocked, it will result in pain or diseases.



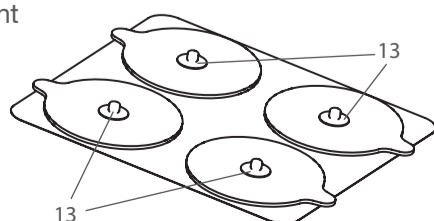
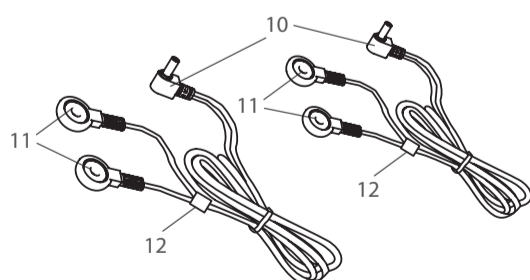
With the application of *Euphoria Technology*, *Needleless Acupuncture* is achieved by the special micro-current of iRelief resulting in a stronger and faster microcirculation. The exchange of nutrients and metabolic wastes is improved. In Chinese medicine, when the flow of the meridians is smooth, there will be no pain or disease. Therefore, pain can be relieved in a short time and health balance can be maintained with consistent use of the *iRelief*.



LOCATION OF CONTROLS



1. On/off button
2. Automatic timer
3. Output intensity level indicator
4. Intensity control knob
5. Low battery indicator LED
6. Outlet 1
7. Outlet 2
8. AC/DC power adapter socket
9. Locations of screws for battery replacement



OPERATION

1. Plug in the 3.3 volt AC/DC power adapter or insert two 1.5 volt D size batteries into the *iRelief*. We recommend using alkaline batteries only. Do NOT use rechargeable batteries.
2. Apply the *iRelief Pads* to the appropriate acupoints or the painful area. Connect the cable terminals to the *iRelief Pads* connectors. If you have long runs between acupoints you can slide down the cable stopper, which prevents the two cables from separating, to gain more distance between the two cable terminals.



3. Always turn the intensity control knob to the lowest level (counter clockwise, to the very left) before connecting. Plug in the cable jacks to the *iRelief* outlet 1 and 2.
4. To start the *iRelief*, press the on/off button. Always turn the intensity control knob from the lowest level to a strong and still comfortable level (clockwise, to the right) for a more effective result. When *iRelief* starts, 5 green lights will illuminate, each green light represents 4 minutes usage. Automatic timer will shut off in 20 minutes. Feel free to turn on or off the *iRelief* any time you want by pressing the on/off button.
5. Place the *iRelief Pads* back on the plastic sheet after use.

BATTERY REPLACEMENT

1. During battery operation only, the low battery indicator LED flashes to indicate that the batteries should be replaced soon. Should *iRelief* not operate when pressing the on/off button to start the *iRelief*, it indicates that the batteries are totally flat and need to be replaced. Use the screw driver provided to open the battery door for battery replacement. Follow the “+” and “-” terminals to replace the batteries accordingly before closing the battery door.

PRODUCT INFORMATION

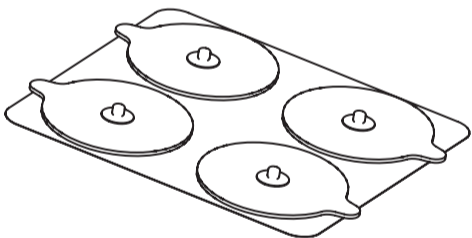
Carefully review the following information for proper and safe application of the *iRelief*.

Caution

- Stop using *iRelief* if you feel any discomfort.
- Children or people who are unable to express themselves, should seek medical advice before use. Children should be accompanied by adults when using *iRelief*.
- For battery operation, *iRelief* works only with two non-rechargeable 1.5V D size batteries. Do not use rechargeable batteries as the voltage is too low.
- Remove the batteries if the unit will not be used for extended period of time.
- Clean *iRelief* with a dry towel. Do not clean *iRelief* with water, detergent, organic solvent or bleaching agent. Unplug the AC/DC power adapter and switch off *iRelief* before any cleaning.
- Do not overlap *iRelief Pads* when using *iRelief*. Pads must always be placed on the skin separated from each other.
- Place *iRelief Pads* first, before you turn on the *iRelief*.
- Keep away from any metal objects (watch, bracelet, belt buckle, necklace, rings, ear rings, body piercing) when using *iRelief Pads*.
- Under normal use, *iRelief Pads* should last 30 - 40 sessions (assuming rubbing alcohol or soap and water is used to remove oil on skin). Replace when the pads do not stick any more to the skin.
- Do not place or use the main unit in areas of high temperature, high humidity or under direct sunlight.
- Do not overbend or pull off the power cable by force.
- Do not pull off the power adapter by force. Do not repair the cable if it is broken.
- Do not use the device while driving.
- Beware of the danger of electric shock. Do not put metal object to the main unit.
- Only use the original AC/DC power adapter and accessories provided.
- Turn off the power before pulling off the power adapter.
- Do not open, repair, modify or remove parts. Do not drop the device and do not put too much pressure to the device.
- Store the *iRelief* and *iRelief Pads* in cool & dry place. Make sure they are not exposed to water. Do not use the device when taking bath or shower or using a sink and water.
- *iRelief* must be operated ONLY with original *iRelief Pad*. Do not use other brands of electrode pads with *iRelief*. Doing so will void the manufacturer warranty and IPC will not be responsible for any negative effects.

5

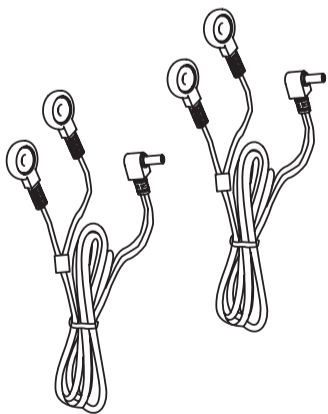
PACKAGING



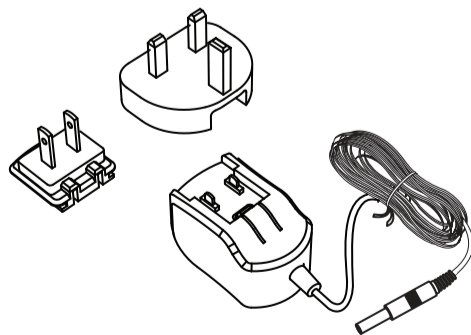
iRelief Pad (2 packs - 4 pcs in each pack)



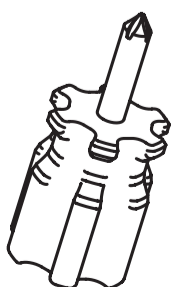
iRelief User Manual (1 pc)



iRelief Pad cables (2 pcs)



3.3V automatic AC/DC power adapter (1 pc) with two interchangeable power sockets (UK & US plug type)



Screwdriver (1 pc)

VER. 3/2012
©2012 Innworks Product Creation Ltd.

iRelief Pad APPLICATION GUIDE

1. Clean the application area with rubbing alcohol; or soap and water before use to remove oil from skin. Let the skin dry.
2. Always use the handle on the *iRelief Pad* to avoid damage to the gel pad. Pull off the pad slowly from the skin after use.



3. Locate the center of the *iRelief Pad* over the area of pain or onto a known acupoint to achieve the best results. Whichever is selected, a superior result will always be achieved for the tissues, acupoints and meridians when contacted by the *iRelief Pads*.

DISCLAIMER

- This user manual has demonstrated the correct installation and operation of the *iRelief*. However, IPC will not guarantee against any written mistakes or missing information in this user manual.
- IPC reserves the right to make changes without any notification on the hardware, software or accessories and written content in the user manual.
- This user manual inclusive, must not be duplicated, stored, transmitted or translated in any other language or format without formal written authorization by IPC.
- IPC assumes no liability, obligation or responsibility for any results from misuse of *iRelief's* hardware, software and accessories.
- IPC does not guarantee the results of *iRelief*. There are many considerations of the theory of Chinese Acupuncture treatment and meridians. Therefore, the effectiveness of the *iRelief* will always and only be subject to conditions of each application exclusively. Always seek the advice of your physician or other qualified health provider prior to starting any new treatment or with questions regarding a medical condition.

6

WARRANTY

Innworks Product Creation Ltd. (IPC) warrants the *iRelief* to be free from defects in material and workmanship during the 1 year warranty period from the date of purchase. Customer should present the original invoice stating the 'date of purchase', 'product serial number' and 'authorized dealer's seal' for free warranty service including free parts and labor within warranty period.

The customer could contact the local IPC distributor (For details refer to our web site) or dealer for more details about the warranty service. The device must be inspected by IPC's appointed authorized representative. The customer will be informed whether the unit can be repaired immediately or a longer repair period is required.

IPC reserves the right to determine the required repair period. The local distributor will contact the customer regarding the arrangement to collect the repaired device after service. The customer is responsible for all shipping costs and liabilities.

If additional repair cost will be incurred, the local distributor will inform the customer about the repair cost. The repair work will be carried out once confirmation from the customer is received.

If the components of a particular model are not available, the local distributor reserves the right to provide another model with similar function to the customer. The final model to be replaced and the associated cost will be decided by the local distributor.

Importance: The warranty will become null and void if *iRelief* is damaged or defective as a result of misuse, abuse, contamination, unauthorized maintenance, parts removal, damaged or rendered defective caused by incorrect input voltage or using components not provided in the product packaging. In cases where the customer has chosen another representative not appointed or authorized by IPC for repair service, the product warranty will be voided immediately.

TECHNICAL SPECIFICATIONS

Size (HxWxD) : 142 x 60 x 174 mm or 5.6" x 2.4" x 6.9"

Weight : 770 grams or 1.7 lbs (without accessories)

Power : 3.3 volt automatic power adapter, works for all countries / two 1.5 volt (D size) batteries

Maximum power consumption : less than 1.3 Watts

Output pulse frequency : 20 - 22 Hz

All information provided by IPC is based on standard testing methods designed by Innworks Product Creation Ltd. Information is subject to change without further notice.

7

8