

**NEC**

**User's Manual**

# **Low-Voltage Power Module For Motor Control**

---

Document No. U18052EU1V1UME0  
Date Published August 2006

© NEC Electronics Corporation 2006  
Printed in Germany

### CAUTION

This is a Test- and Measurement equipment with possibility to be significantly altered by user through hardware enhancements/modifications and/or test or application software. Thus, with respect to Council Directive 89/336/EEC (Directive on compliance with the EMC protection requirements), this equipment has no autonomous function. Consequently this equipment is not marked by the CE-symbol.

EEDT-ST-0005-10



Redemption of Waste Electrical and Electronic Equipment (WEEE) in accordance with legal regulations applicable in the European Union only: This equipment (including all accessories) is not intended for household use. After use the equipment cannot be disposed of as household waste. NEC Electronics (Europe) GmbH offers to take back the equipment. All you need to do is register at [www.eu.necel.com/weee](http://www.eu.necel.com/weee).

**All (other) product, brand, or trade names used in this pamphlet are the trademarks or registered trademarks of their respective owners.  
Product specifications are subject to change without notice. To ensure that you have the latest product data, please contact your local NEC Electronics sales office.**

## NOTES FOR CMOS DEVICES

### ① VOLTAGE APPLICATION WAVEFORM AT INPUT PIN

Waveform distortion due to input noise or a reflected wave may cause malfunction. If the input of the CMOS device stays in the area between  $V_{IL}$  (MAX) and  $V_{IH}$  (MIN) due to noise, etc., the device may malfunction. Take care to prevent chattering noise from entering the device when the input level is fixed, and also in the transition period when the input level passes through the area between  $V_{IL}$  (MAX) and  $V_{IH}$  (MIN).

### ② HANDLING OF UNUSED INPUT PINS

Unconnected CMOS device inputs can be cause of malfunction. If an input pin is unconnected, it is possible that an internal input level may be generated due to noise, etc., causing malfunction. CMOS devices behave differently than Bipolar or NMOS devices. Input levels of CMOS devices must be fixed high or low by using pull-up or pull-down circuitry. Each unused pin should be connected to  $V_{DD}$  or GND via a resistor if there is a possibility that it will be an output pin. All handling related to unused pins must be judged separately for each device and according to related specifications governing the device.

### ③ PRECAUTION AGAINST ESD

A strong electric field, when exposed to a MOS device, can cause destruction of the gate oxide and ultimately degrade the device operation. Steps must be taken to stop generation of static electricity as much as possible, and quickly dissipate it when it has occurred. Environmental control must be adequate. When it is dry, a humidifier should be used. It is recommended to avoid using insulators that easily build up static electricity. Semiconductor devices must be stored and transported in an anti-static container, static shielding bag or conductive material. All test and measurement tools including work benches and floors should be grounded. The operator should be grounded using a wrist strap. Semiconductor devices must not be touched with bare hands. Similar precautions need to be taken for PW boards with mounted semiconductor devices.

### ④ STATUS BEFORE INITIALIZATION

Power-on does not necessarily define the initial status of a MOS device. Immediately after the power source is turned ON, devices with reset functions have not yet been initialized. Hence, power-on does not guarantee output pin levels, I/O settings or contents of registers. A device is not initialized until the reset signal is received. A reset operation must be executed immediately after power-on for devices with reset functions.

### ⑤ POWER ON/OFF SEQUENCE

In the case of a device that uses different power supplies for the internal operation and external interface, as a rule, switch on the external power supply after switching on the internal power supply. When switching the power supply off, as a rule, switch off the external power supply and then the internal power supply. Use of the reverse power on/off sequences may result in the application of an overvoltage to the internal elements of the device, causing malfunction and degradation of internal elements due to the passage of an abnormal current.

The correct power on/off sequence must be judged separately for each device and according to related specifications governing the device.

### ⑥ INPUT OF SIGNAL DURING POWER OFF STATE

Do not input signals or an I/O pull-up power supply while the device is not powered. The current injection that results from input of such a signal or I/O pull-up power supply may cause malfunction and the abnormal current that passes in the device at this time may cause degradation of internal elements. Input of signals during the power off state must be judged separately for each device and according to related specifications governing the device.

• **The information in this document is current as of August, 2006. The information is subject to change without notice. For actual design-in, refer to the latest publications of NEC Electronics data sheets or data books, etc., for the most up-to-date specifications of NEC Electronics products. Not all products and/or types are available in every country. Please check with an NEC Electronics sales representative for availability and additional information.**

• No part of this document may be copied or reproduced in any form or by any means without the prior written consent of NEC Electronics. NEC Electronics assumes no responsibility for any errors that may appear in this document.

• NEC Electronics does not assume any liability for infringement of patents, copyrights or other intellectual property rights of third parties by or arising from the use of NEC Electronics products listed in this document or any other liability arising from the use of such products. No license, express, implied or otherwise, is granted under any patents, copyrights or other intellectual property rights of NEC Electronics or others.

• Descriptions of circuits, software and other related information in this document are provided for illustrative purposes in semiconductor product operation and application examples. The incorporation of these circuits, software and information in the design of a customer's equipment shall be done under the full responsibility of the customer. NEC Electronics assumes no responsibility for any losses incurred by customers or third parties arising from the use of these circuits, software and information.

• While NEC Electronics endeavors to enhance the quality, reliability and safety of NEC Electronics products, customers agree and acknowledge that the possibility of defects thereof cannot be eliminated entirely. To minimize risks of damage to property or injury (including death) to persons arising from defects in NEC Electronics products, customers must incorporate sufficient safety measures in their design, such as redundancy, fire-containment and anti-failure features.

• NEC Electronics products are classified into the following three quality grades: "Standard", "Special" and "Specific".

The "Specific" quality grade applies only to NEC Electronics products developed based on a customer-designated "quality assurance program" for a specific application. The recommended applications of an NEC Electronics product depend on its quality grade, as indicated below. Customers must check the quality grade of each NEC Electronics product before using it in a particular application.

"Standard": Computers, office equipment, communications equipment, test and measurement equipment, audio and visual equipment, home electronic appliances, machine tools, personal electronic equipment and industrial robots.

"Special": Transportation equipment (automobiles, trains, ships, etc.), traffic control systems, anti-disaster systems, anti-crime systems, safety equipment and medical equipment (not specifically designed for life support).

"Specific": Aircraft, aerospace equipment, submersible repeaters, nuclear reactor control systems, life support systems and medical equipment for life support, etc.

The quality grade of NEC Electronics products is "Standard" unless otherwise expressly specified in NEC Electronics data sheets or data books, etc. If customers wish to use NEC Electronics products in applications not intended by NEC Electronics, they must contact an NEC Electronics sales representative in advance to determine NEC Electronics' willingness to support a given application.

(Note)

(1) "NEC Electronics" as used in this statement means NEC Electronics Corporation and also includes its majority-owned subsidiaries.

(2) "NEC Electronics products" means any product developed or manufactured by or for NEC Electronics (as defined above).

M8E 02.11-1

*For further information,  
please contact:*

**NEC Electronics Corporation**  
1753, Shimonumabe, Nakahara-ku,  
Kawasaki, Kanagawa 211-8668,  
Japan  
Tel: 044-435-5111  
<http://www.necel.com/>

**[America]**

**NEC Electronics America, Inc.**  
2880 Scott Blvd.  
Santa Clara, CA 95050-2554, U.S.A.  
Tel: 408-588-6000  
800-366-9782  
<http://www.am.necel.com/>

**[Europe]**

**NEC Electronics (Europe) GmbH**  
Arcadiastrasse 10  
40472 Düsseldorf, Germany  
Tel: 0211-65030  
<http://www.eu.necel.com/>

**Hanover Office**  
Podbielskistrasse 166 B  
30177 Hannover  
Tel: 0 511 33 40 2-0

**Munich Office**  
Werner-Eckert-Strasse 9  
81829 München  
Tel: 0 89 92 10 03-0

**Stuttgart Office**  
Industriestrasse 3  
70565 Stuttgart  
Tel: 0 711 99 01 0-0

**United Kingdom Branch**  
Cygnus House, Sunrise Parkway  
Linford Wood, Milton Keynes  
MK14 6NP, U.K.  
Tel: 01908-691-133

**Succursale Française**  
9, rue Paul Dautier, B.P. 52180  
78142 Velizy-Villacoublay Cédex  
France  
Tel: 01-3067-5800

**Sucursal en España**  
Juan Esplandiú, 15  
28007 Madrid, Spain  
Tel: 091-504-2787

**Tyskland Filial**  
Täby Centrum  
Entrance S (7th floor)  
18322 Täby, Sweden  
Tel: 08 638 72 00

**Filiale Italiana**  
Via Fabio Filzi, 25/A  
20124 Milano, Italy  
Tel: 02-667541

**Branch The Netherlands**  
Steijgerweg 6  
5616 HS Eindhoven  
The Netherlands  
Tel: 040 265 40 10

**[Asia & Oceania]**

**NEC Electronics (China) Co., Ltd**  
7th Floor, Quantum Plaza, No. 27 ZhiChunLu Haidian  
District, Beijing 100083, P.R.China  
Tel: 010-8235-1155  
<http://www.cn.necel.com/>

**NEC Electronics Shanghai Ltd.**  
Room 2509-2510, Bank of China Tower,  
200 Yincheng Road Central,  
Pudong New Area, Shanghai P.R. China P.C:200120  
Tel: 021-5888-5400  
<http://www.cn.necel.com/>

**NEC Electronics Hong Kong Ltd.**  
12/F., Cityplaza 4,  
12 Taikoo Wan Road, Hong Kong  
Tel: 2886-9318  
<http://www.hk.necel.com/>

**Seoul Branch**  
11F., Samik Lavied'or Bldg., 720-2,  
Yeoksam-Dong, Kangnam-Ku,  
Seoul, 135-080, Korea  
Tel: 02-558-3737

**NEC Electronics Taiwan Ltd.**  
7F, No. 363 Fu Shing North Road  
Taipei, Taiwan, R. O. C.  
Tel: 02-8175-9600  
<http://www.tw.necel.com/>

**NEC Electronics Singapore Pte. Ltd.**  
238A Thomson Road,  
#12-08 Novena Square,  
Singapore 307684  
Tel: 6253-8311  
<http://www.sg.necel.com/>

G06.8A

[MEMO]

## Preface

<b>Readers</b>	This manual is intended for users who want to understand the functions of the low voltage power module for motor control.
<b>Purpose</b>	This manual presents the hardware manual of the low voltage power module for motor control.
<b>Organization</b>	<p>This system specification describes the following sections:</p> <ul style="list-style-type: none"><li>• Inverter module</li><li>• IGBT module</li><li>• Opto isolation</li><li>• Power supplies</li><li>• User connections</li></ul>
<b>Legend</b>	<p>Symbols and notation are used as follows:</p> <p>Weight in data notation : Left is high-order column, right is low order column</p> <p>Active low notation : <math>\overline{\text{xxx}}</math> (pin or signal name is over-scored) or /xxx (slash before signal name)</p> <p>Memory map address: : High order at high stage and low order at low stage</p> <p><b>Note</b> : Explanation of (Note) in the text</p> <p><b>Caution</b> : Item deserving extra attention</p> <p><b>Remark</b> : Supplementary explanation to the text</p> <p>Numeric notation : Binary... xxxx or xxxB Decimal... xxxx Hexadecimal... xxxxH or 0x xxxx</p> <p>Prefixes representing powers of 2 (address space, memory capacity)</p> <p>K (kilo): <math>2^{10} = 1024</math></p> <p>M (mega): <math>2^{20} = 1024^2 = 1,048,576</math></p> <p>G (giga): <math>2^{30} = 1024^3 = 1,073,741,824</math></p>





# Table of Contents

<b>Preface</b> .....	<b>7</b>
<b>Chapter 1 Introduction</b> .....	<b>15</b>
1.1 Micro-Board Connection to Motor Control I/O Board .....	16
1.2 Low-Voltage Power Module Connection to Motor Control I/O Board .....	17
1.3 Signal Definitions .....	18
<b>Chapter 2 Specifications</b> .....	<b>19</b>
2.1 Physical Placement of Components .....	20
2.2 Operating Modes .....	20
2.2.1 Normal operation .....	20
2.2.2 Debugging configuration .....	20
2.3 On-Board Components .....	21
2.3.1 40-pin ribbon cable header .....	22
2.3.2 3-pin terminal block .....	23
2.3.3 Current sense output connections .....	24
2.3.4 Phase-voltage sense .....	24
<b>Chapter 3 Appendix</b> .....	<b>25</b>
3.1 Digital-Signal Isolation .....	25
3.2 Analog-Signal Isolation .....	26
3.3 Note on Analog Signal Isolation .....	28
3.4 Back-EMF Zero-Cross-Detection Comparator .....	29
3.5 Current Sense and MCU Interface .....	30
3.6 Over-Current Protection .....	31
3.7 Safety Shut-Down .....	32
<b>Chapter 4 Schematics</b> .....	<b>35</b>



## List of Figures

Figure 1-1:	Low-Voltage Motor Control Power Module.....	15
Figure 1-2:	Development Boards for Motor Control.....	16
Figure 1-3:	Development Board Connections.....	17
Figure 2-1:	Power Module Layout.....	20
Figure 2-2:	40-Pin Header Signals .....	22
Figure 2-3:	3-Pin Terminal Signals .....	23
Figure 3-1:	Digital Isolation Circuit.....	25
Figure 3-2:	Analog Isolation Circuit.....	26
Figure 3-3:	Adjustable Analog Isolation Circuit.....	27
Figure 3-4:	Back-EMF Comparator Circuit.....	29
Figure 3-5:	Current-Sense Circuit.....	30
Figure 3-6:	Trip Circuit for Hardware Shutdown .....	31
Figure 3-7:	Safety Shutdown Circuit .....	32
Figure 3-8:	Safety Shutdown Selection Circuit .....	33



## List of Tables

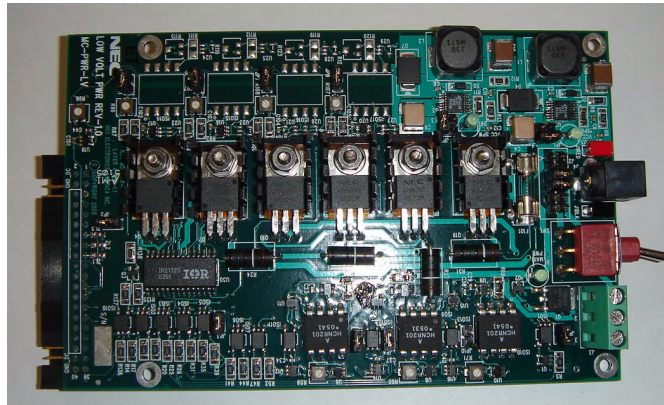
Table 1-1:	40-Pin Header Signals.....	18
Table 2-1:	Default Jumper Settings .....	20
Table 2-2:	Power Inputs.....	21
Table 2-3:	Power Terminal Connections .....	21
Table 2-4:	Power Selection Jumpers.....	21
Table 2-5:	Solder Blob Connections .....	23



## Chapter 1 Introduction

The low-voltage motor control power module from NEC Electronics is designed to drive low-voltage, three-phase, permanent-magnet asynchronous-current (PMAC) motors such as brushless DC (BLDC) and permanent-magnet sinusoidal motors (PMSM). The module contains a six-transistor power MOSFET H-bridge, driver circuits, optical isolation and feedback signal conditioning circuits.

**Figure 1-1: Low-Voltage Motor Control Power Module**



To evaluate a complete PMAC motor drive system, you need three parts that are all available from NEC Electronics:

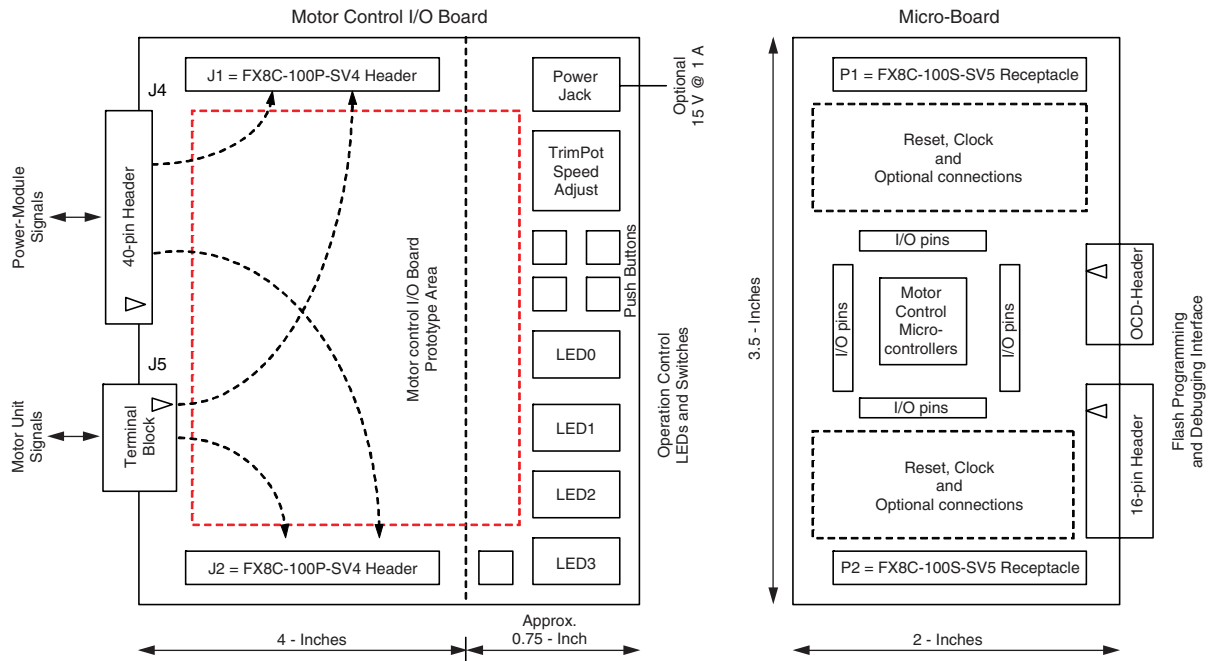
- A micro-board containing a motor-control microcontroller
- A motor control I/O board (MC-I/O-GENERAL board) that interfaces between the micro-board and the power module
- The low-voltage power module containing the power MOSFETs

By adding a low-voltage PMAC motor and software packages that support various driving methods and control algorithms, you can quickly explore the principals of three-phase PMAC motor control as well as jump start your application development with minimum effort.

1.1 Micro-Board Connection to Motor Control I/O Board

The micro-board contains an NEC Electronics microcontroller that supports three-phase motor-control functions. NEC Electronics offers a series of dedicated motor control microcontrollers ranging from 8-bit CISC-type devices to high-performance 32-bit RISC products. Please contact your NEC Electronics America sales representative to obtain a list of available choices.

Figure 1-2: Development Boards for Motor Control



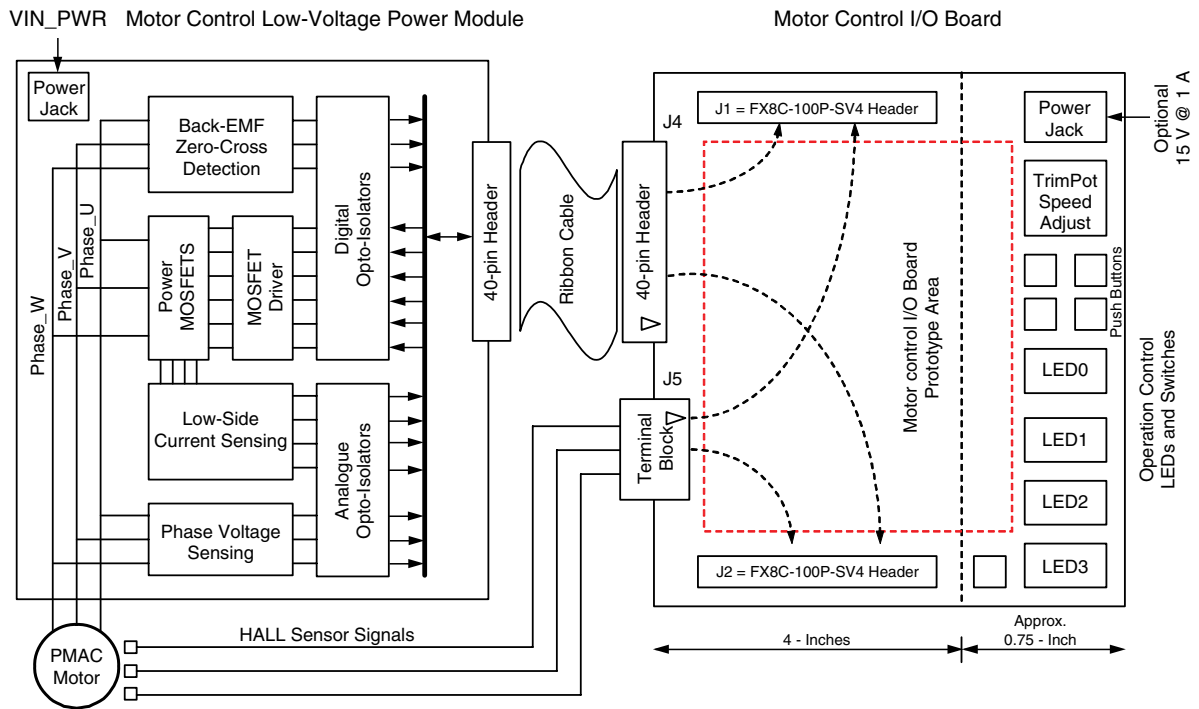
The micro-board connects to the motor-control I/O board via two 100-pin connectors. All MCU signals connect to the I/O board hardware or prototype area.

The I/O board interfaces between the motor-control power module and the microboard containing the microcontroller.



1.2 Low-Voltage Power Module Connection to Motor Control I/O Board

Figure 1-3: Development Board Connections



The low-voltage motor control power module connects to the I/O board through a 40-pin ribbon cable. This cable carries pulse-width modulation (PWM) signals from the MCU, as well as motor-control and sensing signals to the MCU; all of these signals pass through the I/O board. When Hall sensors are used, connect their signal lines directly to the terminal block J5 on the I/O board.

The low-voltage motor control power module has its own power terminals. It is best to use these terminals, although you can supply the module with up to 15V/2A power through the I/O board. Use only one of these methods of supplying power as described in sections 3.3.1 and 3.3.2 of this manual.

1.3 Signal Definitions

**Table 1-1: 40-Pin Header Signals**

Category	Signal Name	Signal Description
System power	VCC_15V	Power input to MC I/O board
	VCC_5V	Regulated 5V power
PWM signals	HI_U, HI_V, HI_W: high-side FET drive LO_U, LO_V, LO_W: low-side FET drive	PWM signals from CPU
Back-EMF comparator	CMPU, CMPV, CMPW	Back-EMF comparator signals from power module connected to interrupt inputs of CPU
Current sense signals	ANI0_IU, ANI1_IV, ANI2_IW ISHUNT	Motor phase current: low-side current detection Motor shunt current: low-side current detection Connected to A/D converter inputs of CPU
Safety control signals	PX_ITRIP	Over-current detection signal from power module Connected to Port_X of CPU for further action
	TRIP	CPU-generated signal Turn-off power for power MOSFETs
Phase-voltage detection	V-U, V-V, V-W	Motor phase voltage-detection signal Connected to A/D converter inputs of CPU
Power module temperature	ANI7_TMP	Power-module temperature-sense signal Connected to A/D converter input of CPU

## Chapter 2 Specifications

The motor-control low-voltage power module has on-board hardware for controlling and operating PMAC motors.

Low-voltage power module specification:

- System power
  - Power jack: up to 24 VDC at 4A
  - External power terminal: up to 24 VDC at 4A
  - VCC\_15V from MC I/O board
  - ON/OFF power switch
  - 4A fast-acting fuse
  - Power-select jumper
- 40-pin ribbon cable that carries signals to/from motor control I/O board
- 3-pin terminal block: Phase\_U, Phase\_V and Phase\_W signal connections to PMAC motor terminals
- Opto-coupler isolation that physically separates high- and low-voltage plane
  - Digital opto-isolators that isolate and couple digital signals
  - Analog opto-isolators signals isolate and couple analog signals
  - Ground-shortening jumpers: high- and low-voltage GND-plane shortening jumpers
  - Connect two power planes when motor power is supplied from the MC-I/O board VCC\_15V
  - Remove GND-shortening jumpers when motor power is supplied from either the external power jack or the external power terminal
- Board size of 3.5 × 5.5 inches (W × L)

2.1 Physical Placement of Components

Figure 2-1: Power Module Layout

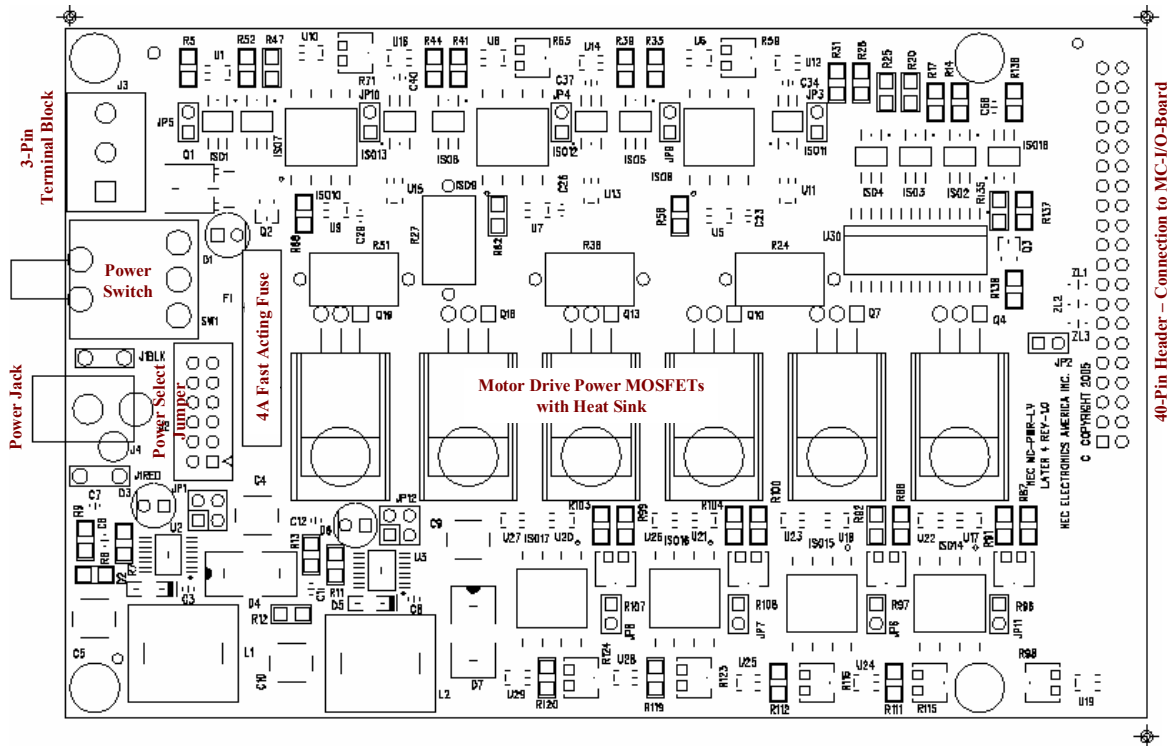


Table 2-1: Default Jumper Settings

Jumper	Jumper Setting	Functions	Descriptions
JP1	2-4	Selects 15 volts	Selects power module VCC_15PW from I/O module VCC_15V
JP2-JP11	Short	GND-shorting jumpers	Connects high-voltage GND plane to low-voltage GND plane
JP12	2-4	Selects 5 volts	Select power module VCC_5PW from I/O module VCC_5V

2.2 Operating Modes

2.2.1 Normal operation

The low-voltage power module operates as part of a BLDC or PMAC motor control system when connected to a motor-control I/O board that has a micro-board attached.

2.2.2 Debugging configuration

The methods used to debug the motor controller depend on the micro-board you use. Consult your micro-board user’s manual for details.

2.3 On-Board Components

**Table 2-2: Power Inputs**

Power Terminal	Function	Description
J4	Main power jack	24 VDC at 4A from user-supplied wall-mount power supplies
J1RED/J1Black	External power input	User-supplied power-input terminal; two single-jacks (red and black)

**Table 2-3: Power Terminal Connections**

Power Terminal	Function	Connections	Description
J2	Power source select	1–2 and 3–4	Power from user-supplied external power J1RED/ J1BLK
		5–6 and 7–8	VCC_15V coming from I/O board
		9–10 and 11–12	Power from main power jack J4

When selecting power from the motor control I/O board, you must set JP1 and JP12 as shown in the table.

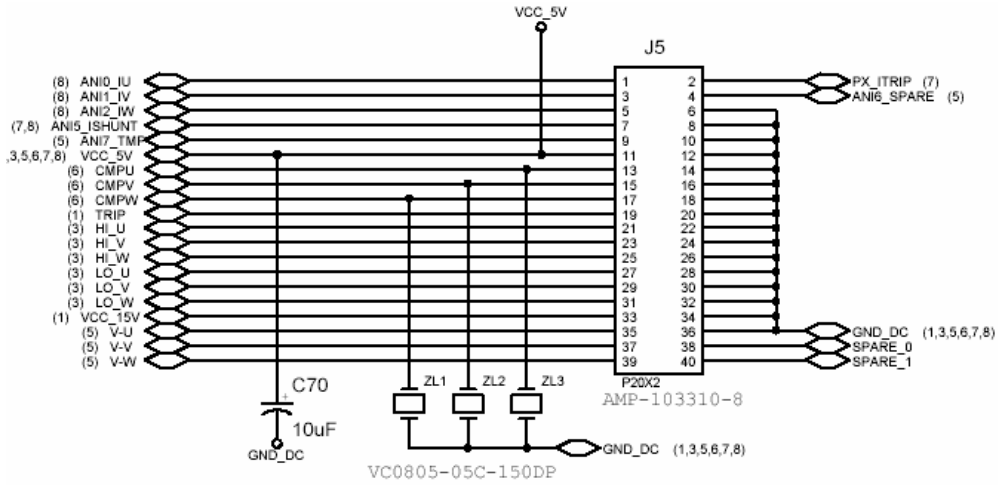
**Table 2-4: Power Selection Jumpers**

Jumper	Function	Jumper Setting	Description
JP1	15VDC power source select	1–2	From power module to VCC_15V MC-I/O board
		3–4	From power module to VCC_15PW for power module
		2–4	From MC-I/O board to power module
JP12	5VDC power source select	1–2	From power module to VCC_5V MC-I/O board
		3–4	From power module to VCC_5PW for power module
		2–4	From MC-I/O board to power module

2.3.1 40-pin ribbon cable header

The 40-pin ribbon cable connects motor-control and motor feedback signals between the power module and the I/O board. The signals on the cable header connect to the MCU after passing through isolation and signal conditioning circuits.

Figure 2-2: 40-Pin Header Signals



2.3.2 3-pin terminal block

A 3-pin terminal block connects Phase\_U, Phase\_V and Phase\_W signals to the PMAC motor. However, other signals from the motor such as those from the Hall sensor or shaft encoder can be connected directly to the MC-I/O board (J5) and from there to the CPU.

Figure 2-3: 3-Pin Terminal Signals



Table 2-5: Solder Blob Connections

Solder Blob	Function	SB Connection	Description
SB16 and SB18	IU_PW to ANI0_IU (current sense at Phase_U)	Connect SB16	Use optional analog opto-isolator to connect IU_PW to ANI0_IU
		Connect SB18	IU_PW connects directly to ANI0_IU
SB17 and SB19	IV_PW to ANI1_IV (current sense at Phase_V)	Connect SB17	Use optional analog opto-isolator to connect IV_PW to ANI1_IV
		Connect SB19	IV_PW connects directly to ANI1_IV
SB20 and SB22	IW_PW to ANI2_IW (current sense at Phase_W)	Connect SB20	Use optional analog opto-isolator to connect IW_PW to ANI2_IW
		Connect SB21	IW_PW connects directly to ANI2_IW
SB21 and SB23	ISHUNT_PW to ANI5_ISHUNT	Connect SB21	Use optional analog opto-isolator to connect ISHUNT_PW to ANI5_ISHUNT
		Connect SB23	Bypass analog opto-isolator
SB13	Phase_U voltage sense	Connect SB13	Analog opto-isolator output to ANI6_SPARE
		Open SB13	Analog opto-isolator output to V-U only
SB14	Phase_V voltage sense	Connect SB14	Analog opto-isolator output to ANI7_TMP
		Open SB14	Analog opto-isolator output to V-V only
SB15	Phase_W voltage sense	Connect SB15	Analog opto-isolator output to ANI3_TEMP
		Open SB15	Analog opto-isolator output to V-W only
SB24 and SB25	Current sense by IR2132S (low-side current sense)	Connect SB24	Disable motor over-current sense by IR2123S
		Connect SB25	Use IR2132S motor over-current sense feature
SB26 and SB27	PX_TRIP signal to MCU	Connect SB26	Use ANI5_ISHUNT to PX_TRIP
		Connect SB27	Use FAULT_B generated by IR2132S to PX_ITRIP

### 2.3.3 Current sense output connections

The IU\_PW, IV\_PW and IW\_PW current-sense outputs connect to A/D converter inputs through optional analog opto-isolators or are bypassed.

### 2.3.4 Phase-voltage sense

The phase-voltage sense outputs connect to V-U, V-V and V-W. Select these signals on the MC-I/O board and connect them to the MCU A/D converter inputs if supported. SB13, SB14 and SB15 provide optional connections to MCU A/D converter inputs.

**Note:** ANI3\_TEMP signal through SB15 is not connected to the 40-pin MC-I/O-Board connector J5. To connect the Phase\_W voltage-sense output V-W to ANI3\_TEMP on the MC-I/O board, use the single-post J\_ANI3 terminal on the power module. Connect J\_ANI3 with a jumper wire to J5-8 on the MC-I/O board. Make sure that no other signals are connected to J5-8.



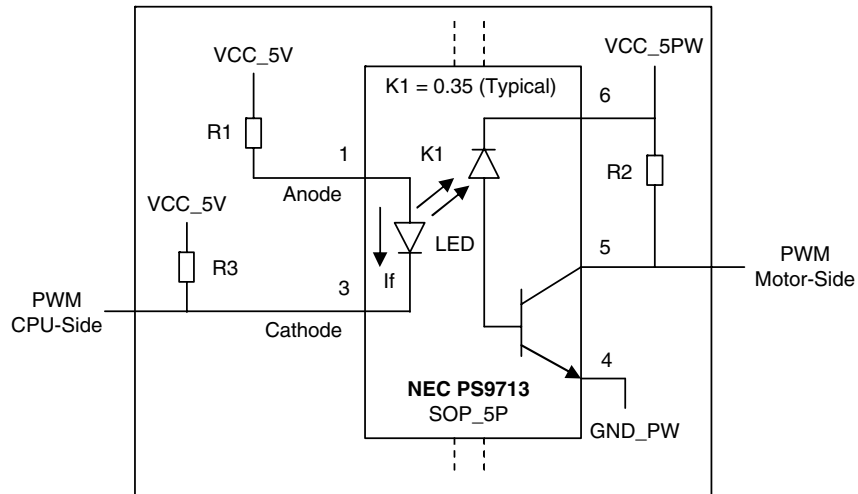
## Chapter 3 Appendix

This section describes the power module's signals and functions as well as its circuit implementation.

### 3.1 Digital-Signal Isolation

A PMAC motor requires the power-MOSFET H-bridge to switch bus voltages as high as  $24 V_{DC}$ . To turn on the high-side MOSFETs, their gate voltage has to be 10 to 15V higher than their source potential floating at half the DC bus voltage. To prevent these high voltages from affecting the CPU and controller, a digital-signal isolation circuit on the power module physically isolates the motor-side signals from the signals on the CPU side.

**Figure 3-1: Digital Isolation Circuit**



Opto-couplers provide the physical separation between input and output. This galvanic isolation barrier provides isolation voltage protection up to approximately 2500V, yet the output closely tracks the input signal. The power module uses digital isolation for the following signals:

- PWM signals from the MCU to the power module
- Back-EMF zero-cross comparator outputs to the MCU

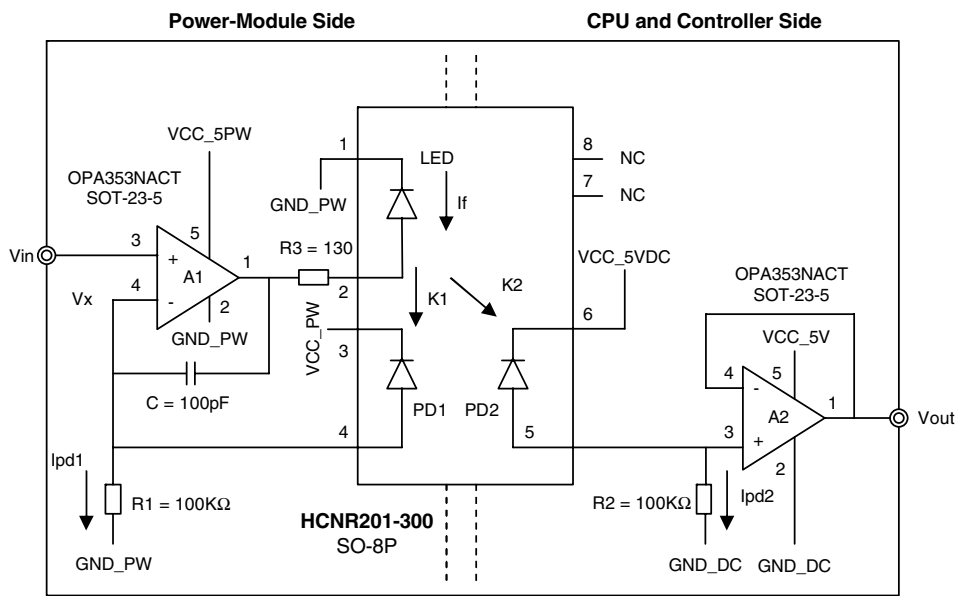
### 3.2 Analog-Signal Isolation

For analog signal isolation, the power module provides a circuit that uses input photo detectors in a servo feedback loop. The figure below shows this circuit with an Agilent HCNR201-300 device. In this circuit, op amps control the current to LEDs, which provide a proportional amount of light to internal photodiodes. The input feedback loop adjusts the LED current to reflect any changes in the input. The output photodiode converts the LED light output into current, which a voltage-follower output amplifier then converts back into a suitable voltage.

The relationship between the input voltage ( $V_{IN}$ ) and output voltage ( $V_{OUT}$ ) is:

- $V_{OUT} = (R2/R1) * V_{IN}$
- If  $R1 = R2$ , then the output voltage closely follows the input voltage.

**Figure 3-2: Analog Isolation Circuit**

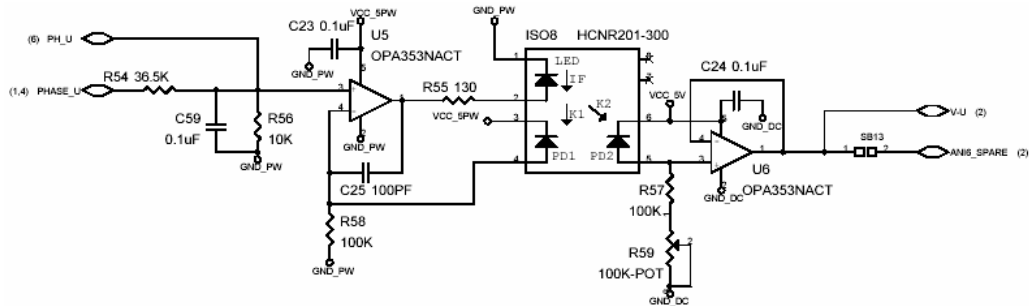


$$V_{OUT} = V_{IN} (R2/R1)$$

An adjustable gain is achieved by using a potentiometer in series with R2.

The power module combines the resistor at the output side (R2) with a potentiometer so that you can adjust the (R2/R1) gain. Combined R2 value allows a gain adjustment of R2/R1. Consider, for example, the phase-voltage detect circuit diagram shown below.

**Figure 3-3: Adjustable Analog Isolation Circuit**



Potentiometer R59, on the output side, allows you to adjust the amplifier gain. This adjustability is particularly convenient for small input voltages. The power module implements a number of other gain-adjustment potentiometers:

- Phase-voltage detect circuit
  - Phase\_U generating V-U signal      R59
  - Phase\_V generating V-V signal      R65
  - Phase\_W generating V-W signal      R71
  
- Current-sense outputs to MCU A/D inputs through analog isolation
  - Phase\_U current sense    IU\_PW            R115
  - Phase\_V current sense    IV\_PW            R116
  - Phase\_W current sense    IW\_PW            R123
  - SHUNT current sense      ISHUNT\_PW      R124

### 3.3 Note on Analog Signal Isolation

By default, analog signal isolators for low-side current sensing ISO14–ISO17 are optional, and the low-voltage power module does not include them. The module does provide locations for these analog isolators; you can populate these locations with suitable components if your application requires total signal isolation. Most applications do not require such isolation because normal current levels are low, and failures that would result in high currents are quite unlikely.

To see why, consider that the power module provides two separate ground planes, one for the 5VDC CPU side (GND\_DC) and one for the higher-voltage motor-side circuits (GND\_PWR). By default, these ground planes are connected together with jumper blocks J2 through J11 (JP2–JP11) and analog isolators ISO14–ISO17 are bypassed by solder blobs SB18–SB23. Low-side current sensing by voltage-drop measurements on two 0.05-ohm resistors is referenced to GND\_PWR. A fast-acting 4A fuse limits both the motor current and the current through the low-side resistors. In normal operating conditions (when the motor draws less than 4A), the voltage drop on the current-sensing resistors is less than 400 mV, and analog isolation is not necessary.

The maximum supply voltage for the power module is 24VDC, and this voltage can be present on the sensing resistor terminals if both upper and lower MOSFET transistors conduct at the same time or both fail. Simultaneous conduction is prevented by the dedicated cross-conduction prevention circuits inside the IR2132S driver IC, and it is very unlikely that both high-side and low-side transistors will fail simultaneously.

If you do want to install analog signal isolators, however, populate module locations ISO14–ISO17, and remove solder blobs SB18–SB23 and jumpers JP2–JP11.

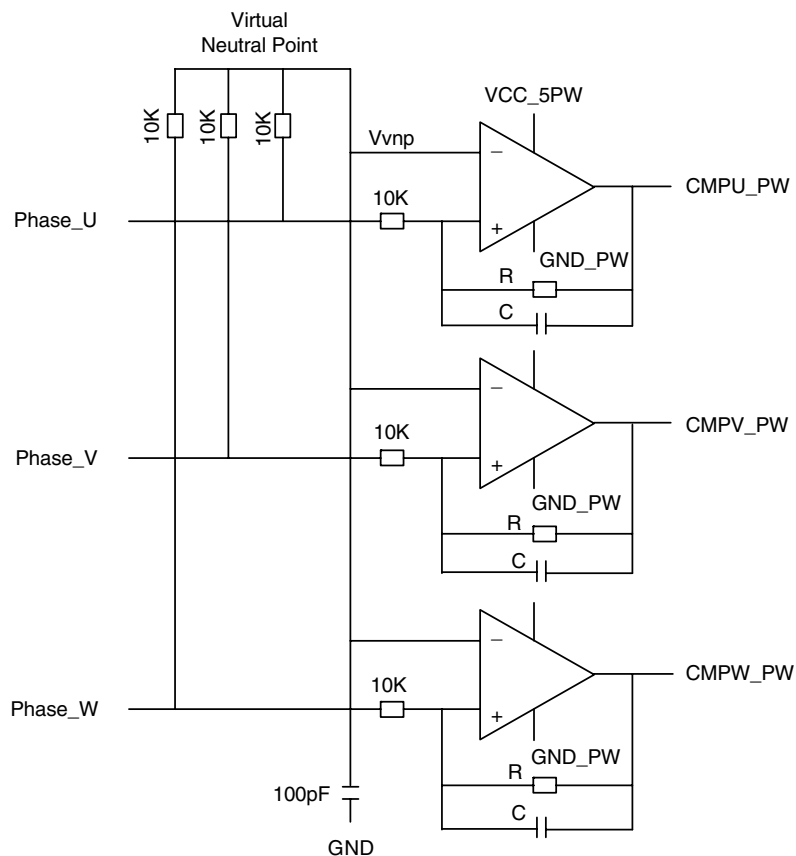
### 3.4 Back-EMF Zero-Cross-Detection Comparator

The low-voltage power module provides back-EMF comparators for sensorless motor control. Back-EMF is a voltage induced in a motor's stator windings by the permanent-magnet rotor. During each of the six commutation periods in trapezoidal drives, only two stator windings are energized at a time, leaving the third one floating. The back-EMF induced in this floating winding can be detected and used to determine the rotor position.

More precisely, the zero-crossing point of the back-EMF signal is detected. The low-voltage power module includes three comparators for this task, configured as shown below. The back-EMF signal from each motor phase passes through a resistor divider and is then compared with a virtual neutral point created by connecting three resistors together (see the figure). With this configuration, the virtual neutral-point potential is at half the DC bus voltage—the threshold level at which the comparator output changes from Low to High and vice versa.

The back-EMF signal is close to a sinusoidal wave with zero value at half the DC bus voltage. The comparator circuit compares the signal amplitude with the virtual neutral point, and at zero-crossing, the comparator output changes state.

**Figure 3-4: Back-EMF Comparator Circuit**

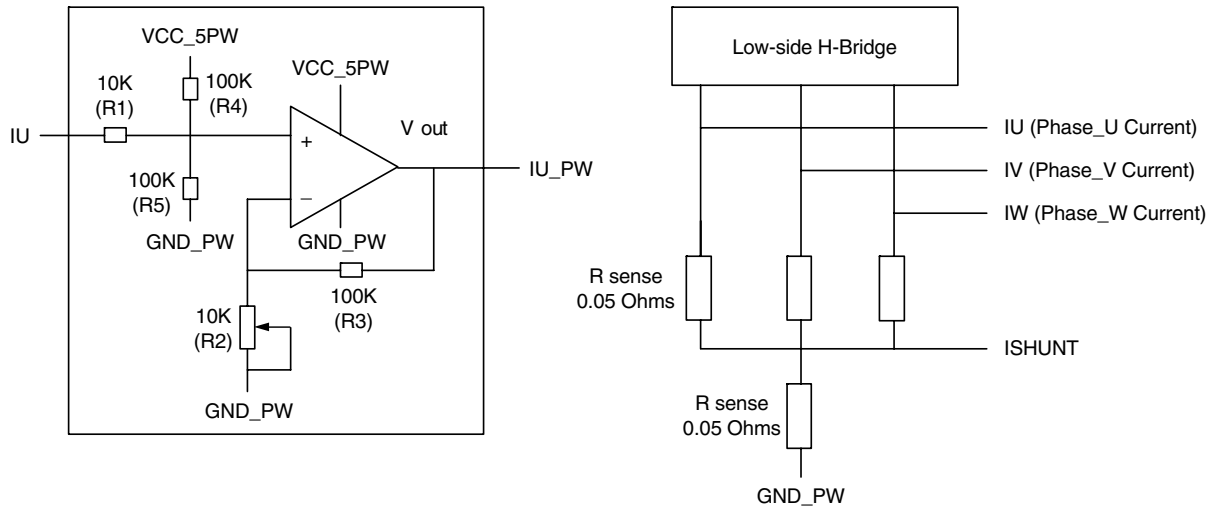


After the CMPU\_PW, CMPV\_PW and CMPW\_PW signals pass through the digital opto-isolation circuits, they become CMPU, CMPV and CMPW, respectively, and connect to the MCU's interrupt inputs.

### 3.5 Current Sense and MCU Interface

Current measurement, current limiting and over-current sensing are often critical to the operation of motor-control systems. Control feedback loops use measured current values to regulate a motor's mechanical output torque. Current limitation prevents the current in the motor windings from exceeding the set limits, while over-current sensing triggers a fast disabling of the MCU PWM driving pins as well as a total shut-down of the power stage. The low-voltage power module employs low-side current-sense circuits to implement all of these capabilities.

**Figure 3-5: Current-Sense Circuit**



The diagram shown above is for Phase\_U current sensing. The same circuit is used for sensing Phase\_V, Phase\_W and ISHUNT currents. The potentiometer allows you to adjust the gain of the amplifier. Phase voltages IU, IV and IW are very small signals, typically 10 to 100 mV. Resistors R4 and R5 center the amplifier's output to the midpoint of the supply voltage.

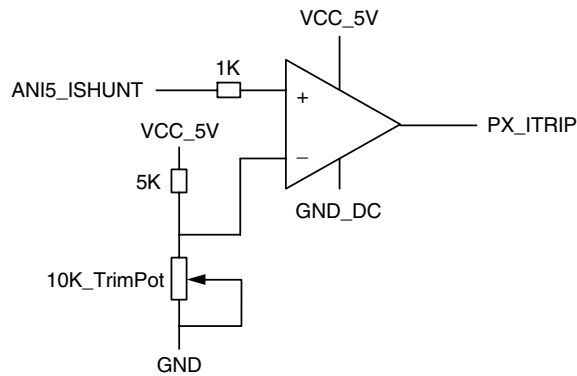
### 3.6 Over-Current Protection

The power module's ISHUNT current-detect circuit detects the voltage level at the low side of a motor's windings. The ISHUNT voltage is a function of the current passing through a sense resistor.

The ISHUNT current-detect signal becomes ANI5\_ISHUNT after it is amplified by Op amp U20 and connects to an MCU A/D converter input through the 40-pin connector on the MC-I/O-Board. The MCU software can monitor the A/D converter input and take appropriate current-limiting or soft-shut-down action if the current exceeds a set limit.

For a fast hardware-based shutdown, use the on-board comparator U19 as shown below. If ANI5\_ISHUNT exceeds the threshold value preset by the 10K TrimPot, the comparator output sets the PX\_ITRIP signal, which is input to the MCU hardware shutdown pin. Upon receiving this input signal, the MCU immediately switches all six PWM outputs to a high-impedance state, disabling the motor drive.

**Figure 3-6: Trip Circuit for Hardware Shutdown**

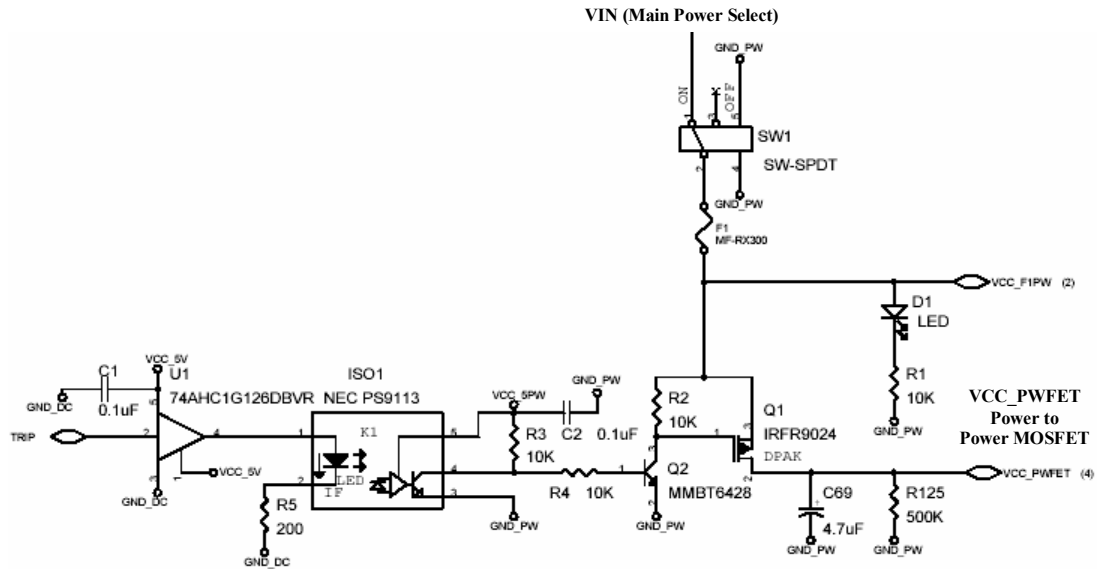


As an extra protection against motor over-current (due to a locked rotor, for example), the current-sensing signal ISHUNT also connects to the over-current-sensing circuit of the IR2132S driver IC. With R127=20K and R128=10K, the driver will shut down the outputs to the power MOSFETs if the current exceeds 3.3A.

### 3.7 Safety Shut-Down

Whether based on detection of an over-current limit ISHUNT voltage or other safety criteria, the MCU may shut-down the power stage by issuing the TRIP signal as shown below. When the TRIP signal goes High, Q2 turns off, turning off Q1 and thus turning off power to the power MOSFETs.

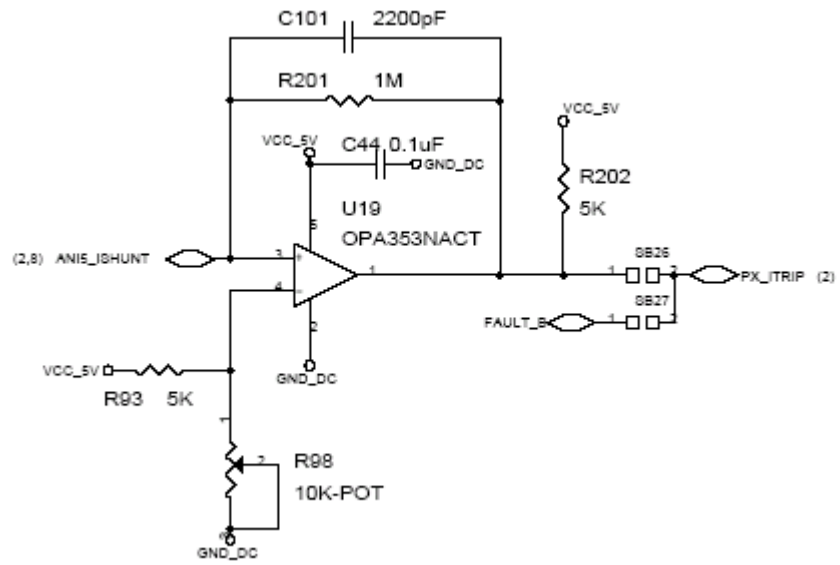
**Figure 3-7: Safety Shutdown Circuit**



As described above, the power module includes an IR2132S 3-phase bridge driver for the power MOSFETs drive, and this component's over-current detection circuit can also monitor the motor over-current through the ISHUNT signal if SB24 is connected and SB25 is open. When ISHUNT exceeds the preset level, the bridge driver shuts down its outputs and sets a flag on its FAULT\_B output pin. You can select the FAULT\_B signal to connect to PX\_ITRIP as an option by connecting solder blob SB27 and opening SB26 at the output of U19.



Figure 3-8: Safety Shutdown Selection Circuit



[MEMO]

