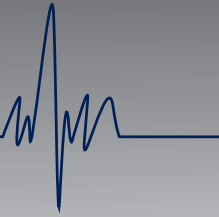




Solutions Start Here...



Solutions Start Here

www.smpcanada.com

SMP Canada

10 Sims Crescent, Richmond Hill
Ontario, L4B-1K9 Canada
Tel: (905) 764-7767 Fax: 1-866-627-9798
support@smpcanada.com

SMP 2000

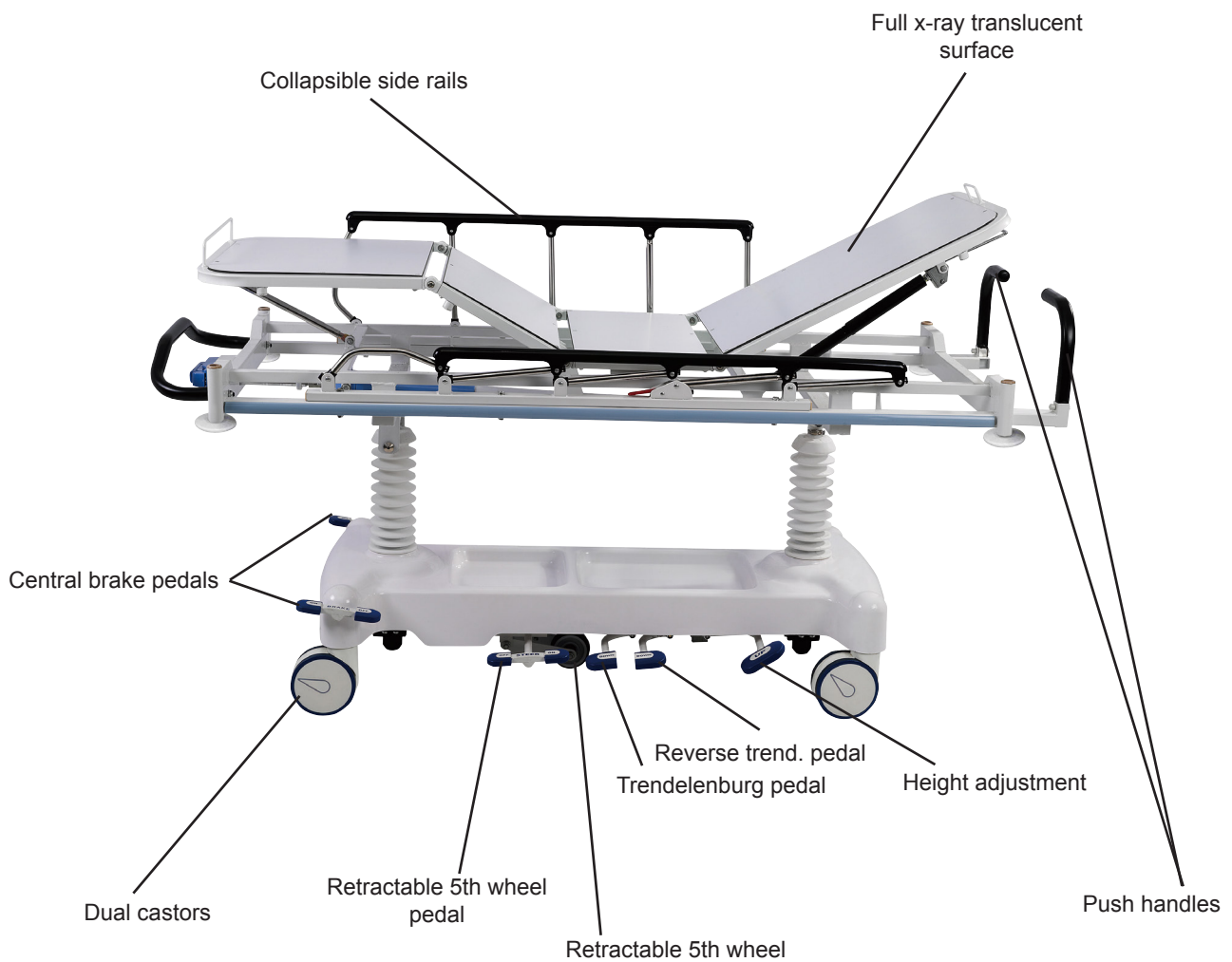
USER & MAINTENANCE MANUAL



USER MANUAL

TRANSPORT STRETCHERS SMP 2000

APPENDIX C SMP-2000



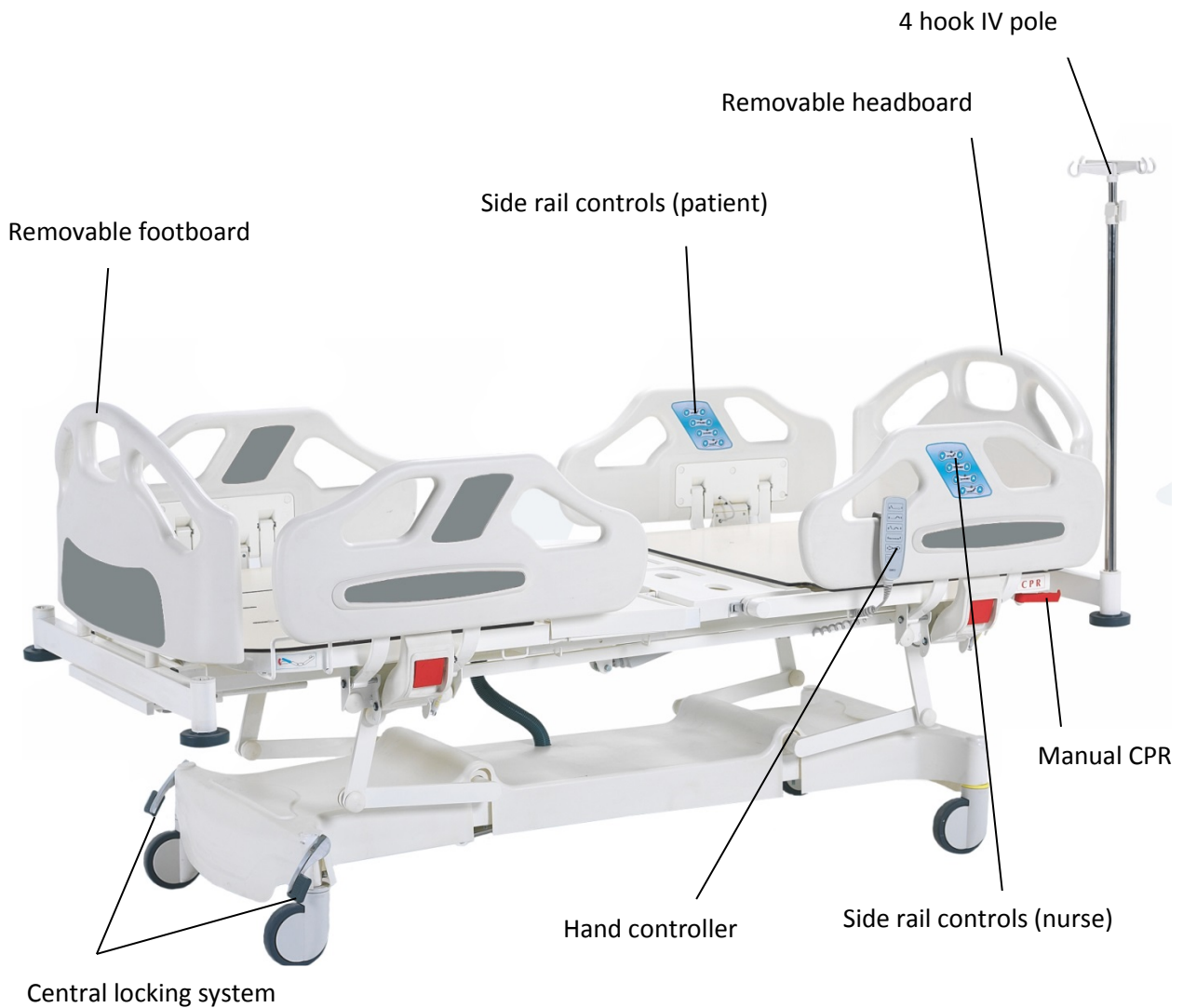


USER MANUAL

TRANSPORT STRETCHERS SMP 2000

APPENDIX C SMP-575

General Patient Room Bed – User & maintenance Manual





USER MANUAL

TRANSPORT STRETCHERS **SMP 2000**

Table of Contents

<u>APPENDIX C</u>	1
<u>General Remarks</u>	3
<u>I) Product Summary</u>	4
<u>1) Product Composition</u>	4
<u>2) Product Functions</u>	4
<u>3) Product Features</u>	4
<u>II) Technical parameters</u>	5
<u>III) Safe working environment</u>	6
<u>IV) Stretcher components</u>	6
<u>V) Operating instructions</u>	7
<u>1) Operation of the backrest gas spring</u>	7
<u>2) Handrail operation</u>	7
<u>3) Foot pedals operation</u>	7
<u>VI) Safety notes</u>	8



USER MANUAL

TRANSPORT STRETCHERS **SMP 2000**

General Remarks

We congratulate you on your choice of a SMP-2000 hydraulic emergency stretcher and would like to thank you for your confidence in our company and its products. You have purchased a SMP-2000 hydraulic emergency stretcher, developed and manufactured in accordance with the current state of technical knowledge.

SMP Canada's stretchers fully meet all safety and operational requirements. They are tested in accordance with international standard and carry the CE seal. This confirms that they fulfill the safety requirements relating to medical products. This user manual is intended to give you and your staff practical information and tips on the safe and correct use of the SMP hydraulic emergency stretcher.

When putting the stretcher into service for the first time, or wanting to learn about its operation and maintenance, one must read and strictly obey this user manual. To avoid faulty handling and to ensure trouble-free operation of the stretcher, this documentation must be available to caregivers and/or patients at all times.

SMP Canada

10 Sims Crescent

Richmond Hill, Ontario, L4B 1K9 Canada

Tel.: ++1 905-764-7767

Fax: ++1 866-627-9798

E-Mail: info@smpcanada.com

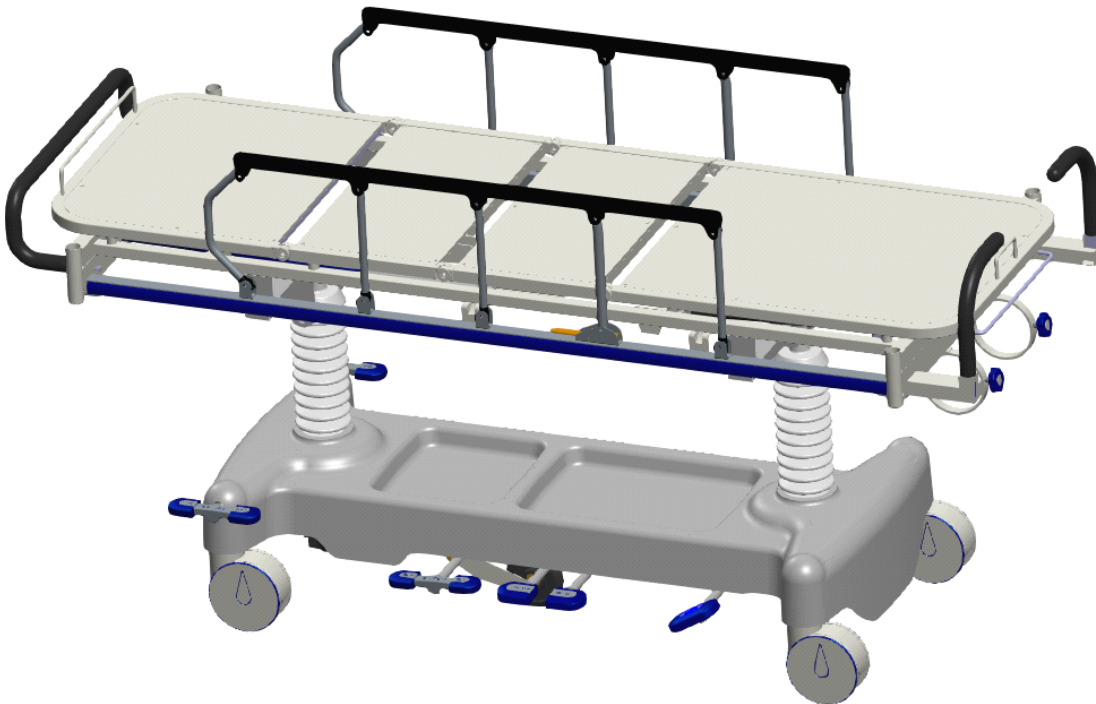
Website: www.smpcanada.com



USER MANUAL

TRANSPORT STRETCHERS SMP 2000

I .Product summary



1、 Product Composition

- The emergency stretcher consists of the stretcher body, 2 pcs., hydraulic cylinders, back-rest spring system, knee gatch crank and the chassis. All functions can be activated by stepping on the foot pedals, adjusting the gas spring switch and turning the crank.

2、 Product Functions

- **Back-rest up/down** – Press the lever behind the back-rest section
- **Knee gatch up/down** – Turn the crank located at the foot end of the stretcher
- **Stretcher Hi-Low movement** – Press the foot pedal marked “UP” to bring the stretcher up and to bring lower it, press both foot pedals marked “DOWN”
- **Trendelenburg** – When the stretcher is in its highest position, press the foot pedal marked “DOWN” located closer to the foot end of the stretcher
- **Rev. Trendelenburg** – When the stretcher is in its highest position, press the foot pedal marked “DOWN” located closer to the head end of the stretcher

3、 Product Feature

- Full X-ray translucent bed surface
- Use of superior quality hydraulic cylinders, gas spring and crank system ensures great efficiency of the stretcher



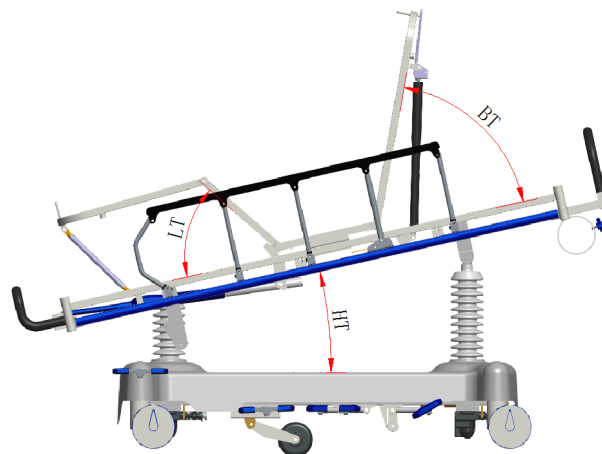
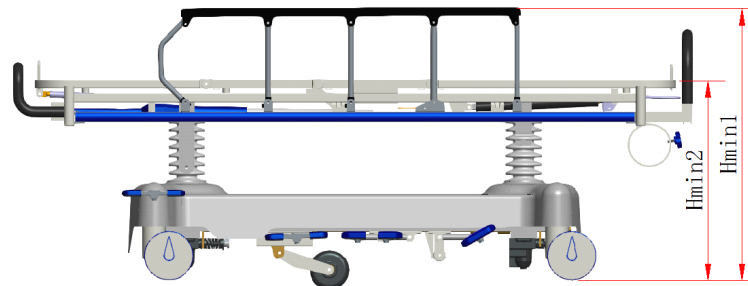
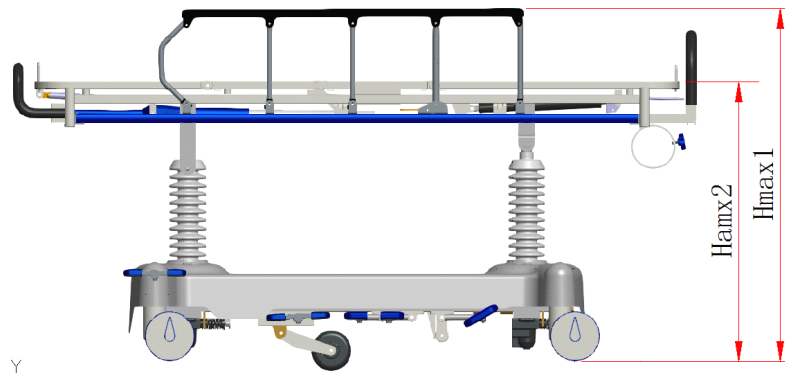
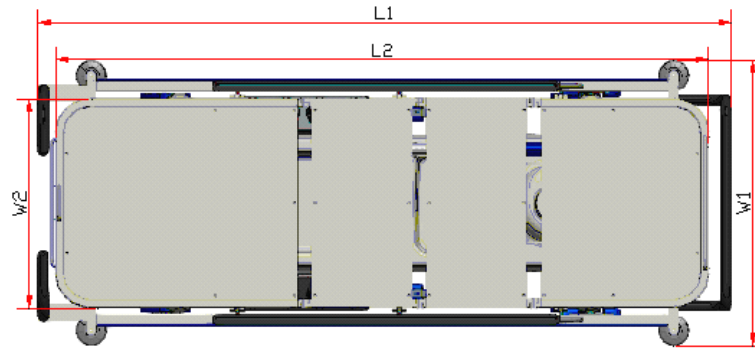
USER MANUAL

TRANSPORT STRETCHERS SMP 2000

II. Technical parameter

1. Parameter Form

No	Sort	Value
1	L1	2057mm
2	L2	1940mm
3	W1	845mm
4	W2	620mm
5	Hmax1	1071mm
6	Hmax2	855mm
7	Hmin1	836mm
8	Hmin2	620mm
9	HT	13°
10	BT	67°
11	LT	55°





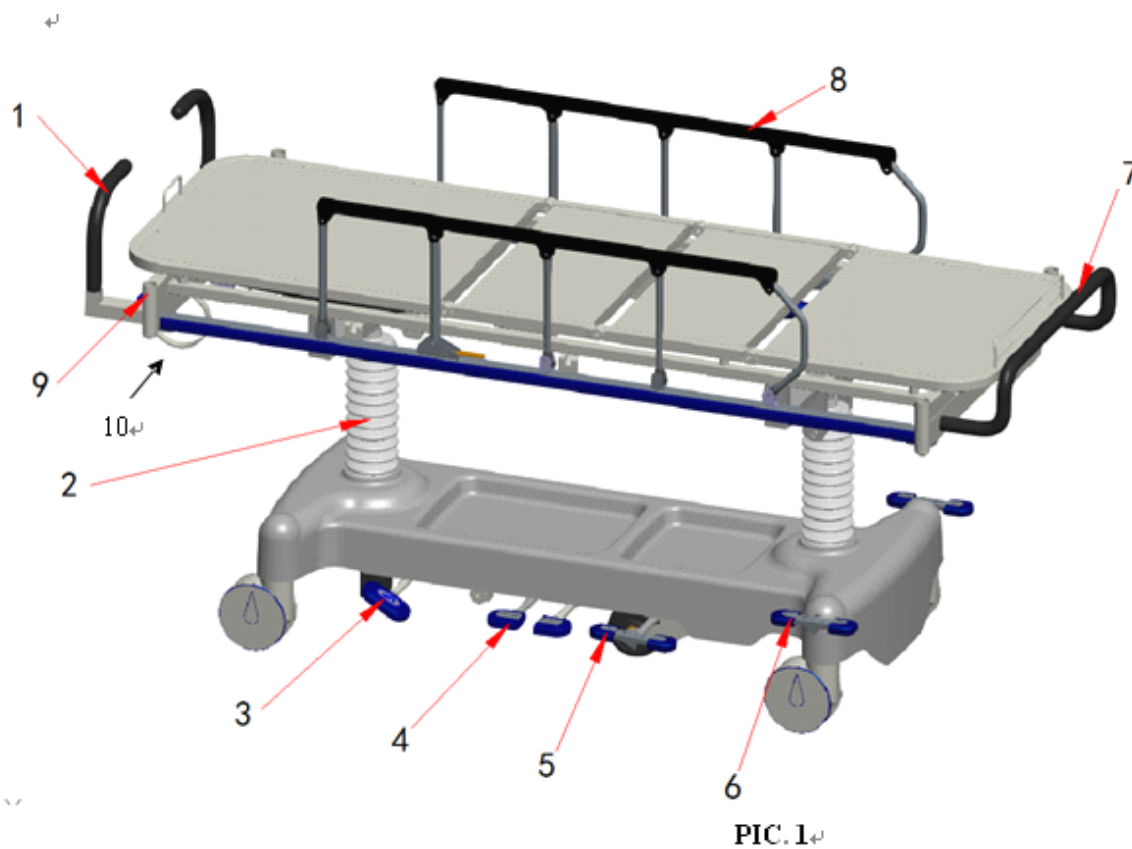
USER MANUAL

TRANSPORT STRETCHERS SMP 2000

III. Safe working environment

- 1、 General environment;
- 2、 Temperature: -10°C~40°C;

IV. Stretcher components



List of all components as per PIC 1:

- 1---Handrail(Head side)
- 2---Hydro-cylinder dust cover
- 3---Up pedal
- 4---Down pedal
- 5---Pedal for the direction-oriented castor
- 6---Brake pedal
- 7---Handrail(Foot side)
- 8---Side rails
- 9---I.V.Pole inserting pipe
- 10— Oxygen cylinder holder



USER MANUAL

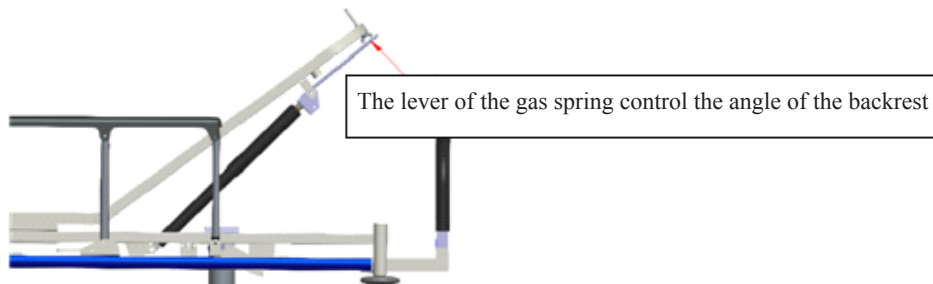
TRANSPORT STRETCHERS SMP 2000

V Operating instructions

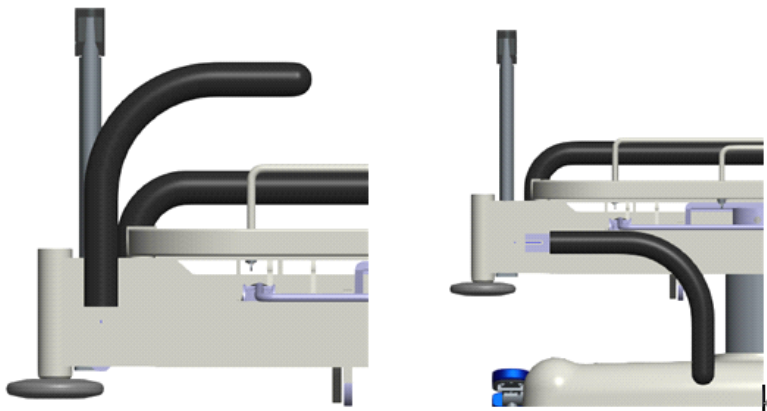
1. Operation of the backrest gas spring

Back-rest up --- Press and hold the level behind the back-rest the back-rest will move up

Back-rest down --- Press and hold the level behind the back-rest, apply downward pressure on the back-rest to recline



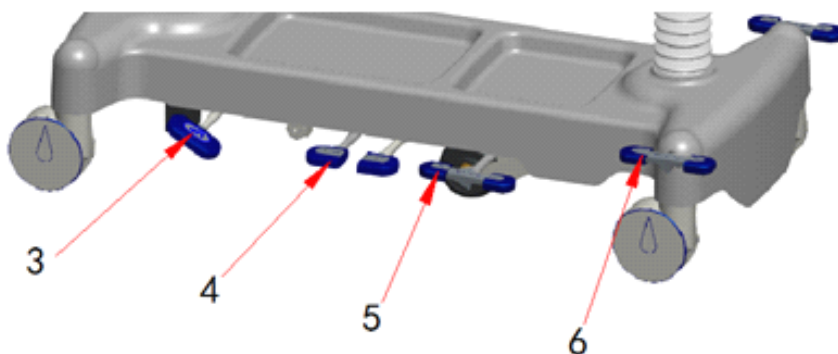
2. Handrail operation



Lift the rail up and rotate inwards.

3. Foot pedals operation

Foot pedals are located on both sides of the stretcher which control the different functions of the stretcher.





USER MANUAL

TRANSPORT STRETCHERS SMP 2000

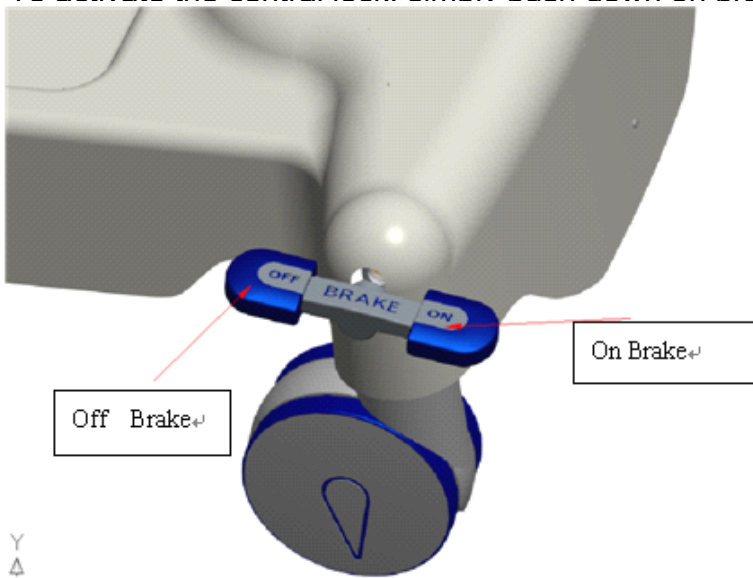
2.3.2 Manual CPP handle:

3 --- Pressing this foot pedal continuously raises the stretcher up.

4 --- Down pedals - Press the two "DOWN" foot pedals together lowers the stretcher. Pressing just one "DOWN" foot pedal activated trendelenburg or reverse trendelenburg.

5 --- Direction-oriented castor - The 5th castor makes maneuvering the stretcher very easy.

6 --- Brake pedal ON & OFF



nt the bed from moving. To release the central brake will allow the bed to

VI. Attention

1. Before using the stretcher please make sure all the parts and components of the stretcher are fully functional.
2. Perform maintenance check-ups on the stretcher routinely.