

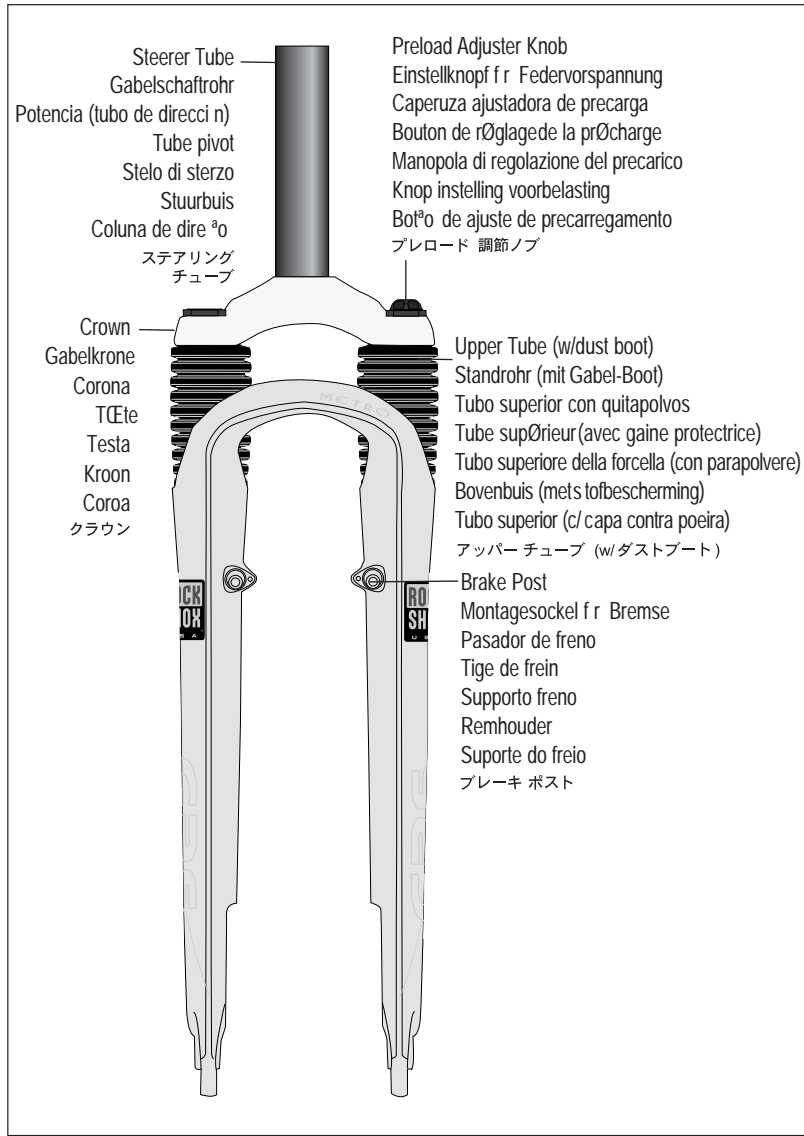


GPS

2004 USER MANUAL

 **POWERED BY SRAM™**

Congratulations! You have the best in suspension components on your bicycle! This manual contains important information about the safe operation and maintenance of your fork. To ensure that your RockShox fork performs properly, we recommend that you have your fork installed by a qualified bicycle mechanic. We also urge you to follow our recommendations to help make your riding experience more enjoyable and trouble-free.



NOTE: YOUR FORK'S APPEARANCE MAY VARY FROM THE ILLUSTRATIONS/PHOTOS IN THIS MANUAL. FOR THE LATEST INFORMATION ABOUT YOUR FORK VISIT OUR WEBSITE AT WWW.ROCKSHOX.COM.

I M P O R T A N T

Consumer Safety Information

1. The fork on your bicycle is designed for use by a single rider, on paved or light trail conditions.
2. Before riding the bicycle, be sure the brakes are properly installed and adjusted. If the brakes do not work properly, the rider could suffer serious and/or fatal injuries.
3. Your fork may fail in certain circumstances, including, but not limited to, any condition that causes a loss of oil; collision or other activity bending or breaking the fork's components or parts; and extended periods of non-use. Fork failure may not be visible. Do not ride the bicycle if you notice bent or broken fork parts, loss of oil, sounds of excessive topping out, or other indications of a possible fork failure, such as loss of shock absorbing properties. Instead, take your bike to a qualified dealer for inspection and repair. In the event of a fork failure, damage to the bicycle or personal injury may result.
4. Always use genuine RockShox parts. Use of aftermarket replacement parts voids the warranty and could cause structural failure to the shock. Structural failure could result in loss of control of the bicycle with possible serious and/or fatal injuries.
5. Use extreme caution not to tilt the bicycle to either side when mounting the bicycle to a carrier by the fork drop-outs (front wheel removed). The fork legs may suffer structural damage if the bicycle is tilted while the drop-outs are in the carrier. Make sure the fork is securely fastened down with a quick release. Make sure the rear wheel is fastened down when using ANY bike carrier that secures the fork's drop-outs. Not securing the rear can allow the bike's mass to side-load the drop-outs, causing them to break or crack. If the bicycle tilts or falls out of its carrier, do not ride the bicycle until the fork is properly examined for possible damage. Return the fork to your dealer for inspection or call RockShox if there is any question of possible damage (See the International Distributor List). A fork leg or drop-out failure could result in loss of control of the bicycle with possible serious and/or fatal injuries.
6. Only mount cantilever-type brakes to the existing brake posts. Forks with hangerless style braces are only designed for 'V'- style or hydraulic cantilever brakes. Do not use any cantilever brake other than those intended by the brake manufacturer to work with a hangerless brace. Do not route the front brake cable and/or cable housing through the stem or any other mounts or cable stops. Do not use a front brake cable leverage device mounted to the brace.
7. Observe all owner's manual instructions for care and service of this product.

ROCKSHOX FORKS DO NOT COME WITH THE PROPER REFLECTORS FOR ON-ROAD USE. YOUR DEALER SHOULD INSTALL PROPER REFLECTORS TO MEET THE CONSUMER PRODUCT SAFETY COMMISSION'S (CPSC) REQUIREMENTS FOR BICYCLE STANDARDS IF THE FORK IS GOING TO BE USED ON PUBLIC ROADS AT ANY TIME.

INSTALLATION

It is extremely important that your RockShox fork is installed correctly by a qualified mechanic. Improperly installed forks are extremely dangerous and can result in severe and/or fatal injuries.

1. Remove the existing fork from the bicycle and the crown race from the fork. Measure the length of the fork steerer tube against the length of the RockShox steerer tube. The RockShox steerer tube may need cutting to the proper length. Make sure there is sufficient length to clamp the stem (refer to the stem manufacturers instructions).

! WARNING

DO NOT ADD THREADS TO ROCKSHOX THREADLESS STEERERS. THE STEERER TUBE CROWN ASSEMBLY IS A ONE-TIME PRESS FIT. REPLACEMENT OF THE ASSEMBLY MUST BE DONE TO CHANGE THE LENGTH, DIAMETER OR HEADSET TYPE (THREADED OR THREADLESS).

DO NOT REMOVE OR REPLACE THE STEERER TUBE. THIS COULD RESULT IN THE LOSS OF CONTROL OF THE BICYCLE WITH POSSIBLE SERIOUS AND/OR FATAL INJURIES.

2. Install the headset crown race (27.0mm for 1" steerers, 29.9mm for 1 1/8" steerers) firmly against the top of the fork crown. Install the fork assembly on the bike. Adjust the headset until you feel no play or drag.
3. Install the brakes according to the manufacturer's instructions and adjust brake pads properly. Use the fork only with V-type or hydraulic cantilever brakes mounted to the existing brake posts or disc style brakes mounted through the provided mounting holes. Do not use any cantilever brake other than those intended by the brake manufacturer to work with a hangerless brace.
4. Adjust the front wheel quick release to clear the dropout's secondary retention feature. The quick release nut must be tightened after the wheel is properly seated into the dropout's secondary retention feature. Make sure four or more threads are engaged in the quick release nut when it is closed. Orient the quick release lever in front of and parallel to the lower tube in the locked position.
5. Keep in mind tire clearance as you choose tires. Maximum size is 26 x 2.0 333 mm radius (26" fork) or 700 x 47 C 359 mm radius (700 C fork) installed. Be sure to check this radius whenever you change tires. To do this, remove the top caps and spring stack and compress the fork completely. Verify that at least 5mm of clearance exists between the top of the tire and the bottom of the crown. Exceeding maximum tire size will cause the tire to jam against the crown when the fork is fully compressed.
6. Disc Brake Installation: Disc Brake mounting tabs are provided on the left lower leg. Use your brake manufacturer's instructions to install a disc brake system on your fork. Do not modify the lower leg casting to fit the disc brake.

PERFORMANCE TUNING

RockShox forks can be tuned for your particular weight, riding style, and terrain.

Setting Sag

RockShox forks can be tuned for your particular weight, riding style, and terrain. GPS forks are designed to sag when you are sitting on your bike. Sag is the compression of the fork caused by the rider's weight. Proper sag allows the front wheel to follow the contour of the terrain as you ride.

Sag is adjusted by turning the top cap preload adjuster (fig. 1). Turning the adjuster clockwise increases spring preload (i.e. stiffening the spring) decreasing sag. Turning the adjuster counter clockwise decreases spring preload which increases sag.

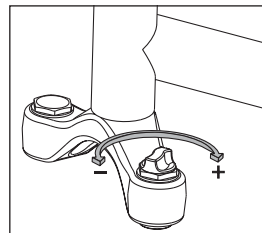


Fig. 1

Fork Travel	Sag
60mm	3-6 mm
50mm	2-5 mm

To measure sag, lift the fork boot and install a zip tie on the upper tube of the fork flush against the dust wiper. Sit on the bike in the normal riding position. Step off the bike, and measure the distance between the dust wiper and the zip tie. This is your sag.

MAINTENANCE

To maintain the high performance, safety, and long life of your fork, periodic maintenance is required. If you ride in extreme conditions, maintenance should be performed more frequently.

Maintenance			
	Every Ride	25 Hours	50 Hours
Clean dirt and debris from upper tubes	✓		
Check upper tubes for scratches	✓		
Check top caps, brake posts and shaft bolts for proper torque		✓	
Apply 2 to 3 drops of Teflon-based oil to the upper tube/lower tube junction		✓	
Clean and lubricate all internal parts and check for bushing play			✓*

* WE RECOMMEND THIS SERVICE BE PERFORMED BY A QUALIFIED BICYCLE MECHANIC. TO OBTAIN SERVICE INFORMATION OR INSTRUCTIONS, VISIT OUR WEBSITE AT WWW.ROCKSHOX.COM OR CONTACT YOUR LOCAL ROCKSHOX DEALER OR DISTRIBUTOR.

Torque Tightening Values

Top Caps	40 in-lb
Brake Posts	80 in-lb
Plunger Bolts	80 in-lb
Rack & Fender Bolts	50 in-lb
Bolt-on Hub Nuts	180 in-lb

WARRANTY

SRAM Corporation warrants its products for a period of two years from original date of purchase to be free from defects in materials or workmanship. SRAM, or an authorized SRAM Agent must inspect all SRAM products. If a product is found by SRAM or its authorized agent to be defective in materials or workmanship, replacement or repair is at the option of SRAM. This warranty is the sole and exclusive remedy. SRAM shall not be held liable for any indirect, special, or consequential damages.

Exclusions of Warranty

This warranty does not apply to products which have not been properly installed and adjusted according to RockShox installation instructions. The warranty does not cover any product that has been subject to misuse or whose serial number has been altered, defaced or removed. This warranty does not apply to damage to the product caused by a crash, impact, abuse of the product, non-compliance with manufacturer's specifications, or any other circumstances in which the product has been subjected to forces or loads beyond its design. This warranty does not cover paint damage or modifications to the product.

Original proof of purchase is required. Warranty repair/replacement is only valid upon presentation of proof of purchase, directly submitted to SRAM at the time of warranty evaluation. Warranty repair or replacement is at the discretion of SRAM or its authorized agent, upon physical product evaluation and proof of purchase.

This warranty does not include or cover common 'wear and tear' parts which are subject to damage as a result of normal use, failure to service product according to SRAM recommendations, wet conditions, racing, use of disc brakes, rider weight, riding or installation in conditions or applications other than recommended.

'Wear and Tear' parts are identified as: External dust seals, bushings, foam rings, rubber moving parts (such as air sealing o-rings and glide rings), stripped threaded shafts or bolts, upper tubes (stanchions), rear shock mounting hardware and springs, and fork drop outs.

Pioneer Support Program

In the event parts are unavailable at the time of your repair, at the option of SRAM or its authorized agent, a replacement fork may be provided at a determined discount price.

Warranty Expenses Incurred

The SRAM warranty policy excludes expenses incurred as a result of transportation of product from a SRAM dealer to SRAM, or its authorized distributor, labor performed by a SRAM dealer for removal of RockShox product, or warranty repair work performed by a SRAM dealer. Warranty work performed by a SRAM dealer is voluntary.

Warranty Repair

If for any reason it should be necessary to have warranty work done, return the product to a SRAM dealer. In the USA, dealers are required to call for a Return Authorization number (RA#) prior to returning product. Outside the USA, dealers are required to call an authorized SRAM Distributor.

For more technical information, visit our website at www.rockshox.com. Dealers outside the USA must contact their local distributor. For a complete list of Authorized Distributors outside the USA, visit www.rockshox.com.