

---

# LED DMX Controller

DMX-U1

User Manual V1.1



## Package Contents

Your package should contain these fixtures and accessories as follows:

- 1 LED Controller
- 1 USB cables
- 1 Driver CD
- 1 This User Manual

If any item is missing or damaged, please contact your shipper and Ledwalker immediately. Do not take any action without contact us

---

## Features

- | LW-DMX-U1 is a kind of DMX controller with USB port. It represents a significantly more robust way to control lights from the computer. It can be used for output, controlling lights, or as input to allow DMX data from another source to interact with various programs on the PC.
- | Easy to use, LW-DMX-U1 connects to any windows PC or MAC via USB connection.
- | Ultra-compact design, light weight and portable.
- | Bundled with Ledwalker and Madrix softwares, Ledwalker and Madrix allow light addressing, DMX addressing, light testing, power / data supply configuration, basic show authoring, and more.
- | LW-DMX-U1 controls up to 512 channels with continuously short circuit protection function, and the isolation voltage is 1000V.
- | Music compatible, the lighting can dance with the music and also is controlled by sound.

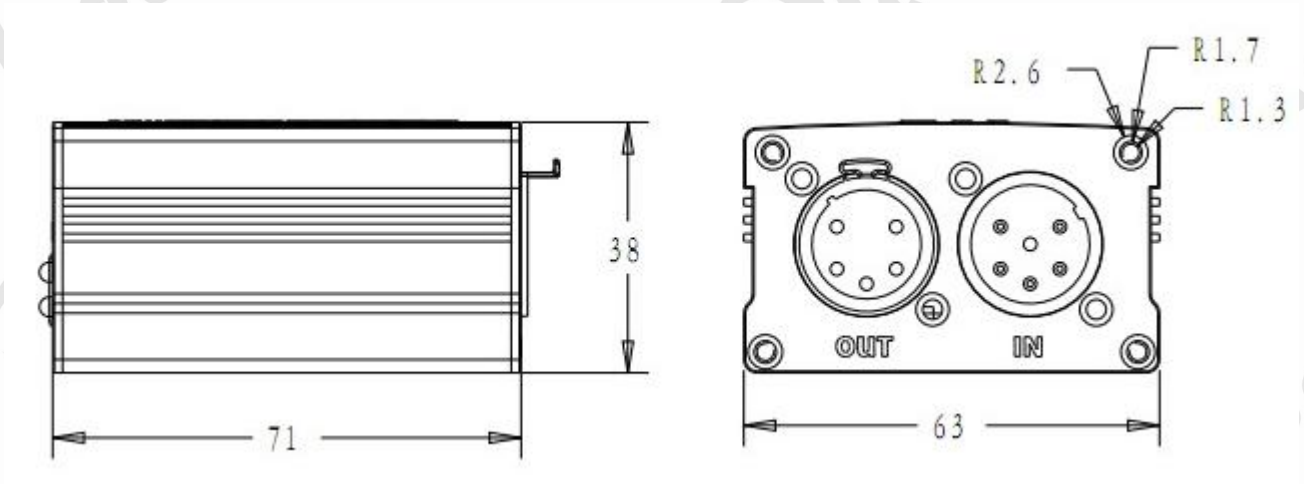
## Applications

Trade shows professional, community or academic theatre, DJs, night club, television production, Austere Version production companies.

## Technical Parameters

Item	Specification	Details
Electrical	Power Requirement	300 mA input voltage supplied by USB
Computer Interface	Cable	USB 2.0, USB 1.2
Lighting System	Network Protocol	DMX512
Network interface	Data connector	5-pin XLR
Software	Compatibility	Ledwalker and Madrix
Capability	Supported DMX Channels	Full 512-channel universe of input or output
physical	Dimensions	71*63*38mm
	Operating temperature	0° – 50° C
	humidity	0 – 95%, non-condensing

## Dimension



## Controller connection:

