

V LT 9000 Duo

USER MANUAL

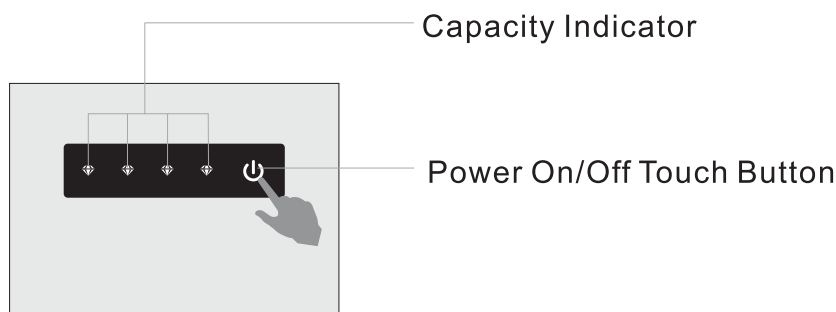
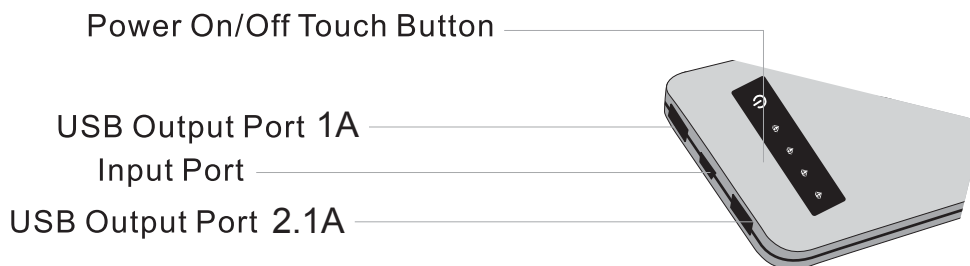
Welcome

Congratulations, you've purchased the latest product from EZQuest that can charge virtually any two USB devices simultaneously with its dual charging ports. The EZQuest Volt 9000 Duo is also capable of charging at up to 2.1A, making it perfect for use with even the most power-hungry of tablet devices.

Package Content:

- Volt 9000 Duo
- User Manual
- Micro USB charging cable
- Carrying pouch

Product Structure Drawing



Power On: Press & hold the power on/off touch button for few seconds until the capacity indicators flash 3 times. The power on/off touch button light will keep flashing during the discharging. The Volt 9000 Duo will automatically power off when it idle for 1 minute.

Power Off: Press & hold the power on/off touch button for few seconds until the capacity indicators goes off one by one from the left to the right.

Capacity Indication: Press the touch button to show the remaining capacity.

Lighting Lights Qty	◆◆◆◆	◆◆◆	◆◆	◆	The 4th Capacity Indicator Flashing
Remaining Capacity	100%	75%	50%	25%	<10%

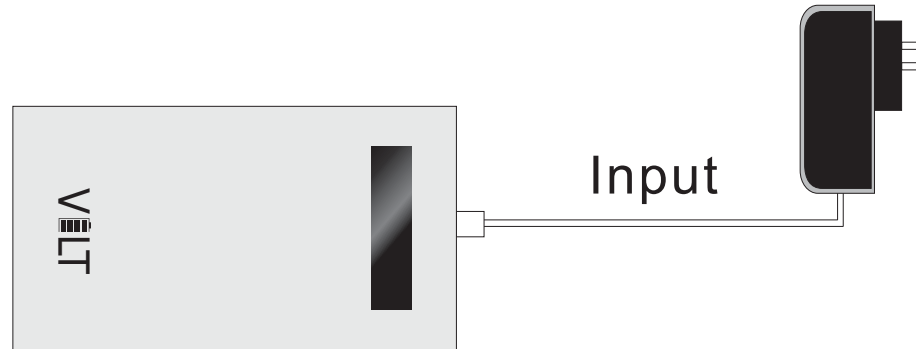
Tip: Please charge this device when 4th capacity indicator flashing.

This device has circuitry that protects the battery from overcharging.

Charging Instruction

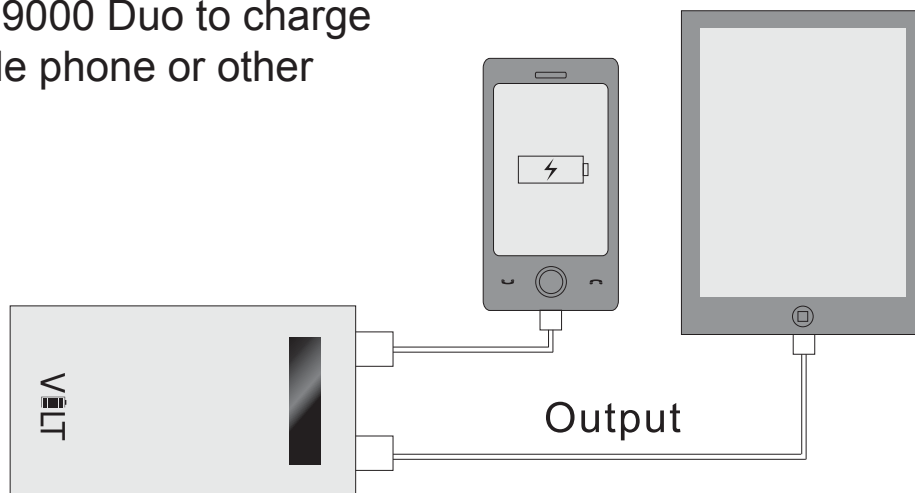
How to recharge Volt 9000 Duo battery

Use the charger or computer to charge this device



How to charge your device

Use Volt 9000 Duo to charge the mobile phone or other devices



Caution: The Volt 9000 Duo need to be charged when touch power button does not respond. Please charge the device immediately.

Important: Please power on before charge other devices.

Please charge Volt 9000 Duo one time at least every 3 months to avoid the potential damage of the battery.

Please contact your local recycling center for proper battery disposal to dispose of used devices in accordance with local regulations.



Warning

Read all instructions and warnings prior to using this product. Improper use of this product may result in product damage,excess heat, toxic fumes, fire or explosion, for which damages you ("Purchaser"), and not EZQuest,Inc. ("Manufacturer") are responsible.

The Volt Series should be operated only in open-air conditions. It should not be operated in an enclosed, unventilated space such as a carrying bag, pocket,or purse. Failure to follow these instructions may cause damage to the Volt unit by overheating.

Do not store battery in high temperature environment,including intense sunlight heat. Do not place battery in fire or other excessively hot environments.

Be cautious of excessive drops,bumps,abrasions or other impacts to this battery. If there is any damage to the battery such as dents,punctures,tears,deformities or corrosion, due to any cause, discontinue use and contact manufacturer or dispose of it in an appropriate manner at your local battery recycling center.

Do not disassemble this battery or attempt to re-purpose or modify it in any manner.

Do not expose this battery to moisture or submerge it in liquid. Keep battery dry at all times.

Do not attempt to charge battery using any method, apparatus or connection other than the device's USB connector. For questions or instructions for the various ways to charge the Volt Series refer to manual's " Charging your device" sections.

Do not attempt to replace any part of this battery.

If this battery is intended by Purchaser to be used by a minor, purchasing adult agrees to provide detailed instructions and warnings to any minor prior to use. Failure to do so is sole responsibility of purchaser, who agrees to indemnify Manufacturer for any unintended use/misuse by a minor.

All batteries have gone through a thorough quality assurance inspection. If you find that your battery is excessively hot, is emitting odor, is deformed, abraded, cut or is experiencing or demonstrating an abnormal phenomenon, immediately stop all battery use and contact Manufacturer.

For extended storage, first charge your battery for one hour.

Never dispose of batteries in the garbage. Disposal of batteries in the garbage is unlawful under state and federal environmental laws and regulations. Always take used batteries to your local battery-recycling center.

Legal

This Battery is meant for use only in conjunction with the appropriate mobile device. Please consult your device packaging to determine whether this Battery is compatible with your particular mobile device. Manufacturer is not responsible for any damages to any mobile device incurred through the use of this product.

Manufacturer shall not in any way be liable to you or to any third party for any damages you or any third party may suffer as a result of use, intended or unintended, or misuse of this battery in conjunction with any device or accessory other than the appropriate mobile device for which this battery is designed.

Manufacturer will not be responsible for any damages you or any third party may suffer as a result of misuse of this battery as outlined above. If you are responsible for battery use with an unintended mobile device and damages result from such use, you agree to indemnify Manufacturer for any resulting injuries to any third part(ies). EZQuest, EZQuest Volt Series and the EZQuest logo are registered trademark.

MODIFICATION: Any changes or modifications of this device could void the warranty.

FAQ

Will the Volt Series charge my iPhone, iPod or iPad?

You bet. The Volt Series is fully compatible with every iPhone, iPod and iPad. As a matter of fact, you can charge any two of the three AT THE SAME TIME! (Volt 9000 Duo Only)

Will the Volt 9000 Duo charge two iPads?

Not recommended. We suggest getting an additional EZQuest Volt 9000 Duo for charging a second iPad.

Will the Volt Series charge my device?

The Volt Series has been designed to charge a variety of USB devices - specifically smartphones and tablets. We have done extensive testing on a variety of products and can assure you that this devices if fully compatible with most smart devices available today.

Which port is used for charging the Volt Series and which ports are used to charge my device?

Connect your cable using the bigger, rectangular USB ports to charge your devices. The smaller, micro USB port in the middle is used to recharge the Volt Series.

How many charge cycles do you get in the Volt Series?

The Volt Series is rechargeable for over 500 cycles (These are full cycles. Partial cycles don't count as full. So, you can charge your Volt Series 10% of the way 10 times before it counts as complete cycle.) Don't be afraid to top it off!

Can I charge my device while charging the Volt Series?

Sorry, This device does not have pass-through capability. Please charge the Volt Series separately from other devices.

What is EZQuest return policy?

Please go to www.ezq.com for full detail return policy.

Warranty

At EZQuest, we are dedicated to making the best quality products we can. To back this up, your Volt 9000 Duo is warranted for 1 full year from the date of purchase (this warranty does not affect any statutory rights that you may be entitled to.) Keep a copy of your purchase receipt as proof of purchase. Failure to provide proof of purchase may void the warranty.

Customer Service

Telephone: 714-666-1716

Web: www.ezq.com

Service Hours: 9am to 6pm M-F PT



Warning: Never dispose of this device in a fire because it is dangerous.

DO NOT charge any devices while the Volt 9000 Duo is inside the Carrying Pouch.

DO NOT disassemble, open, crush, bend, deform, puncture, shred, or submerge Volt 9000 Duo.

DO NOT attempt to dry Volt 9000 Duo with an appliance or heat source, such as a hair dryer or microwave oven.

Volt 9000 Duo usage by children should be supervised.

Avoid dropping Volt 9000 Duo, especially on a hard surface.