



3½D LCD Digital Panel Meter Model : LC035



User Manual

4. OPERATION :

a) If needed, add proper voltage dividers (not included) and decimal point wire jumper.

Max. Voltage to be measured	Proper Voltage Divider	Decimal Point fixing method
200mV	-	Shortcircuit P1 on & P2, P3 off
2V	Disconnect wire jumper in RB RA = 1.1KV, RB = 10MV	Shortcircuit P3 on & P1, P2 off
20V	Disconnect wire jumper in RB RA = 100KV, RB = 9.9MV	Shortcircuit P2 on & P1, P3 off
200V	Disconnect wire jumper in RB RA = 10KV, RB = 9.99MV	Shortcircuit P2 on & P1, P3 off
500V	Disconnect wire jumper in RB RA = 1KV, RB = 9.999MV	

Shortcircuit N on to enable polarity sign function or shortcircuit N off to disable polarity sign function
RA and RB are ½ W 0.5% Metal film resistors.

b) Connect 7-11V DC power supply to panel meter. Pay attention to the proper polarity.

c) For range other than 200mV, input accurately ½ x Max. Voltage generated by calibrator (e.g. 100.0V for 200.0V range) and carefully adjust the semi-fixed resistor R4 to have same reading in L.C.D.

www.mecoinst.com

d) Connect the input voltage to be measured to V in and GND. The input voltage should be DC only.

1. FEATURES :

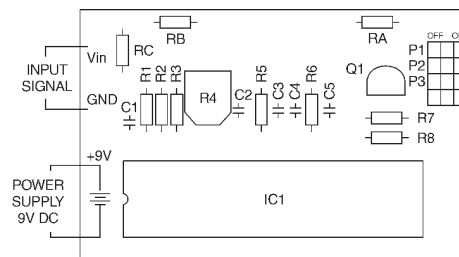
- 200mV full scale input sensitivity ● Single 9V DC operation ● Decimal point selectable
- 13mm figure height ● Automatic Polarity indication ● Guaranteed zero reading for 0 volt input ● High input impedance (> 10 MV)
- Easy Bezel fixing Method

2. APPLICATIONS :

- Voltmeter ● Thermometer ● PH Meter
- DB Meter ● Watt Meter ● Current Meter
- Capacitance Meter ● Lux Meter ● LCR Meter ● Other industrial & domestic uses.

3. SPECIFICATIONS :

Maximum Input	: 199.9mV DC
Maximum Display	: 1999 (3½ Digit) with automatic polarity indication
Indication Method	: LCD Display
Measuring Method	: Dual-Slope Integration A-D converter system
Overrange indication	: " 1 " shown in the display.
Reading rate time	: 2-3 reading per second.
Input Impedance	: > 10MV
Accuracy	: ± 0.5% of full scale (23°±5°C < 80%RH)
Power Dissipation	: 1mA DC
Decimal Points	: Selectable with wire jumper
Supply Voltage	: 7-11V DC
Size	: 68mm x 44mm



Test Result : S.No.

Input					
Result	OK	OK	OK	OK	OK

Checked by : Date :

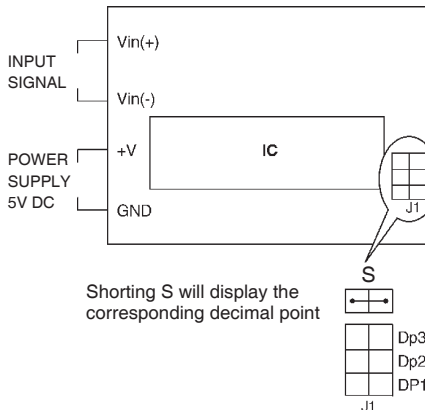


**3½D LED Digital Panel Meter
Model : LC135**



User Manual

- b) Connect 5DC power supply to panel meter. Pay attention to the proper polarity.
- c) For range other than 200mV, input accurately ½ x Max. Voltage to be measured, (e. g. 100.0V for 200.0V range by calibrator) and carefully adjust the pot R2 to have some reading in LED display.
- d) Connect the input voltage to be measured to V in (+) and V in (-). The input voltage should be DC only.



Test Result : S.No.

Input					
Result	OK	OK	OK	OK	OK

Checked by : Date :

Note :

Please ensure that when shunt is use, it must be connected on the ground / common side of the load and not on the supply side.

www.mecoinst.com

1. FEATURES :

- 200mV full scale input sensitivity ● Single 5V DC operation ● Decimal point selectable
- 14.2mm figure height ● Automatic Polarity indication ● Guaranteed zero reading for 0 volt input ● High input impedance (> 10 MV)
- Easy Bezel fixing Method

2. SPECIFICATIONS :

- Maximum Input : 199.9mV DC
- Maximum Display : 1999 (3½ Digit) with automatic polarity indication
- Indication Method : LED Display
- Measuring Method : Dual-Slope A-D conversion
- Overrange indication : " 1 " or " -1 " shown in the display.
- Reading rate time : 2-3 reading per second.
- Input Impedance : > 10MV
- Accuracy : ± 0.5% of full scale (23°±5°C < 80%RH)
- Power Dissipation : <1W
- Decimal Points : Selectable with wire jumper
- Supply Voltage : 5V DC
- Size : 68mm x 44mm

3. OPERATION :

- a) If needed, add proper voltage dividers (not included)

Max. Voltage to be measured	Proper Voltage Divider
200mV	-
2V	Disconnect wire jumper in RA RA = 1.1MV, RB = 9.9MV
20V	Disconnect wire jumper in RA RA = 100KV, RB = 9.99MV
200V	Disconnect wire jumper in RA RA = 10KV, RB = 9.99MV
500V	Disconnect wire jumper in RA RA = 1KV, RB = 9.999MV

RA and RB are ½W 0.5% Metal Film Resistors.