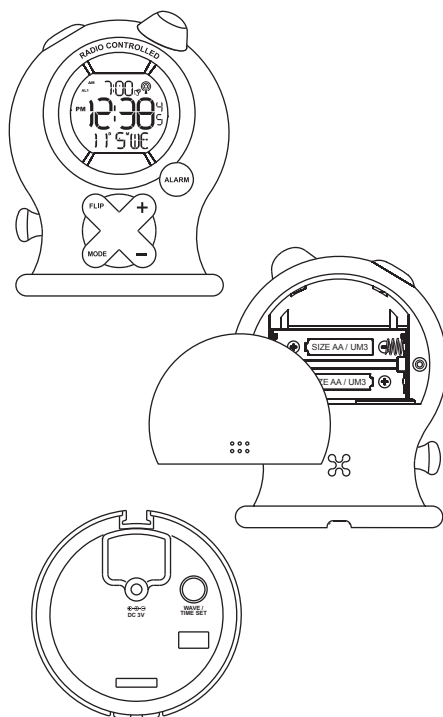


RADIO CONTROLLED PROJECTION CLOCK

(Model No. 2560)



2

NILBRAND (ZEON) PCR102 MANUAL (ENG)
SIZE: W65 X H105 (mm)
BY SHAN WONG 27/03/06

INDICATOR	STANDING FOR	INDICATOR	STANDING FOR
	RADIO SIGNAL		RADIO SIGNAL WEAKLY
D	DATE	Z'	REPEAT ALARM INDICATION
	FOREIGN TIME INDICATION	M	MONTH
PM	PM (12 HR DISPLAY ONLY)		SUMMER TIME INDICATION
AM	AM (12 HR DISPLAY ONLY)	DUAL TIME	DUAL TIME
	ALARM 1		
	ALARM 2		

To install the AC-DC adapter for Continue Projection:-

Please make sure your household voltage matched with the voltage supported by the adapter, or it will damage your clocks and adapter.

Use 2 X AA, R6, UM-3, 1.5V batteries and AC-DC adapter (AC230V, 50Hz-DC3V, 100mA) not included.

- After the batteries are installed, the LCD will turn on and beep for 2 seconds. The clock will automatically search the radio signal. It takes about 3-10 minutes to finish this process.



- If the radio signal is received, the date & time will be set automatically with radio control signal icon [] turns on.



- If the clock fails to receive the time signal, it will be in Time / Temperature display with the [] icon turns off. Then user can set the time manually.



- Radio-controlled signal will be scheduled to receive every hour.

3

Selecting Alarm 1/Alarm 2/Dual time Display

- Press **MODE** will display the ALARM 1 time:



- Press **MODE** again will display the ALARM 2 time:



- Press **MODE** again will display the Dual Time:



Manual Time Setting

The system date and time can be set by pressing **MODE** for 3 seconds in Time display with the [] icon turn off.

- Press **MODE** one last time: the normal time display appears.

4

Setting the Time & Calendar

- Press **WAVE / TIME SET** for about 3 seconds the hour digits are blinking and can be set by pressing + or - key.



- Press **MODE** again: the minute digits are blinking and can be set by pressing + or - key.



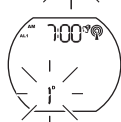
- Press **MODE** again: the year digits are blinking and can be set by pressing + or - key.



- Press **MODE** again: the month digits are blinking and can be set by pressing + or - key.



- Press **MODE** again: the date digits are blinking and can be set by pressing + or - key.



5

Select 12 hour or 24 hour display format

- Press "+" will toggle the display format between 12 hour and 24 hour.

N.B.: 1. If no key is pressed within 30 seconds, it will exit the Manual Time Setting Mode and go back to Time Display without the data update.

- During any setting mode, press and hold + or - key for 2 seconds for fast setting.

Calendar

To change the weekday display from one language to another language, press - key for 3 seconds - the display will show the current language

- 1 "EN" for English →
- 2 "DE" for German →
- 3 "FR" for French →
- 4 "IT" for Italian →
- 5 "SP" for Spanish.

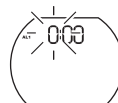
Press & Hold - key for 2 seconds will toggle to the other languages.

Setting the Alarm time

ALARM 1 setting

- In the ALARM 1 Display,

- Press **MODE** for about 3 seconds: the hour digits are blinking and can be set by pressing + or - key.



- Press **MODE** again: the minute digits are blinking and can be set by pressing + or - key.



- Press **MODE** again, the Alarm time is set and [🔔] icon will turn on.

6

ALARM 2 setting

- In the ALARM2 Display,

- Press **MODE** for about 3 seconds: the hour digits are blinking and can be set by pressing + or - key.



- Press **MODE** again: the minute digits are blinking and can be set by pressing + or - key.



- Press **MODE** again, the Alarm time is set and [🔔] icon will turn on.

Enable Alarm 1/Alarm 2:

- Press **ALARM** will enable ALARM 1 with [🔔] icon turns on.



- Press **ALARM** again will enable ALARM 2 with [🔔] icon turns on.



- Press **ALARM** again will enable both ALARM 1 and ALARM 2 with [🔔] and [🔔] icons to turn on.

- Press **ALARM** again will disable both ALARM 1 and ALARM 2 with [🔔] and [🔔] icons to turn off.

7

Activating the Alarm

When the ALARM 1/ALARM 2 is ringing, the relative alarm icon [🔔] / [🔔] will be flashing.

- Press **ALARM** key to turn the alarm off.
- Press button "SNOOZE / LIGHT"- alarm stops and the backlight will turn on for 5 seconds with deleted, the repeat alarm indicator flashing. The alarm sounds again after 4 minutes.
- If the alarm is not turned off, it will stop automatically after 4 minutes.

Foreign Time Display & setting

- Press and hold **UP (+)** key for 3 seconds, the icon "G" will turn on.
- Press and hold **MODE** for 3 seconds in Foreign Time display. The Foreign time can be set as described above by pressing + or - key.
- Press **MODE** key again to confirm the setting of foreign time.
- Press and hold + key for 3 seconds to choose between local and foreign time display.

Setting the Dual Time

- The dual time can be set by pressing **MODE** for 3 seconds in Dual Time Display. The hour will flash for input.



- Press **MODE**: the hour of dual time display digits are blinking and can be set by pressing + or - key.



8

- Press **MODE** again: the minute of dual time display digits are blinking and can be set by pressing + or - key.
- Press **MODE** again to confirm the setting.



Light ON / OFF

- Press top button [**SNOOZE / LIGHT**] key -light will come on and turn off automatically after 5 seconds.

Projection Light and its adjustment

" To keep the projection continuously, insert an AC-DC adapter (AC 230V - 50Hz, DC 3V - 100mA) and turn the "Continue Projection" Switch to on position. Projection can be turned off by Switching off the Continue Projection Switch or Switching off the mains switch and removing the adapter."

- Press [**SNOOZE / LIGHT**]- Projection light will come on and turn off automatically after 5 seconds.
- Press [**FLIP**] key to rotate the projection image in 180°orientation clock wise.

Attention: Please dispose of used batteries in an ecologically safe manner.

Receiving the MSF Time CODE

The projection clock will automatically receive the MSF time code every hour.

Besides, you can force the clock to receive the signal by pressing "Wave". It will take 3-10 minutes to receive the radio signal. If the time signal is received, the [☉] icon will be on otherwise it will be off.



PRECAUTIONS

This product is engineered to give you years of satisfactory service if you handle it carefully. Here are a few precautions:

1. Do not immerse the unit in water.
2. Do not clean the unit with abrasive or corrosive materials. They may scratch the plastic parts and corrode the electronic circuit.
3. Do not subject the unit to excessive force, shock, dust, temperature or humidity, which may result in malfunction, shorter electronic life span, damaged battery and distorted parts.
4. Do not tamper with the unit's internal components. Doing so will invalidate the warranty on the unit and may cause unnecessary damage. The unit contains no user-serviceable parts.
5. Only use fresh batteries as specified in the user's manual. Do not mix new and old batteries as the old ones may leak.
6. Always read the user's manual thoroughly before operating the unit.
7. Used batteries shall be disposed off environmentally beneficials.
8. Do not throw away the article, but dispose off environmentally beneficials.
9. Use existing collecting points or special waste dumps for this purpose.
10. Please don't use the rechargeable batteries.