



Liebert LM Series TVSS Technical Specification



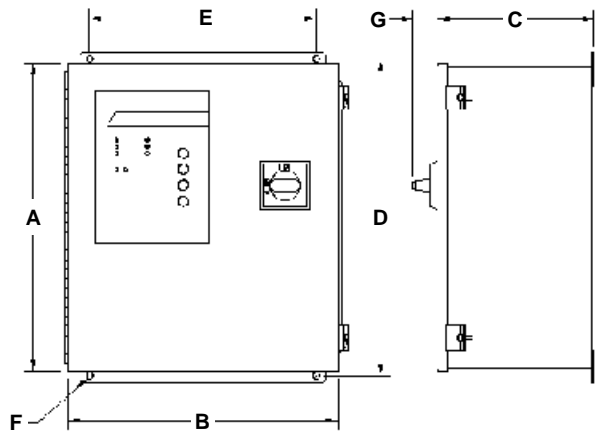
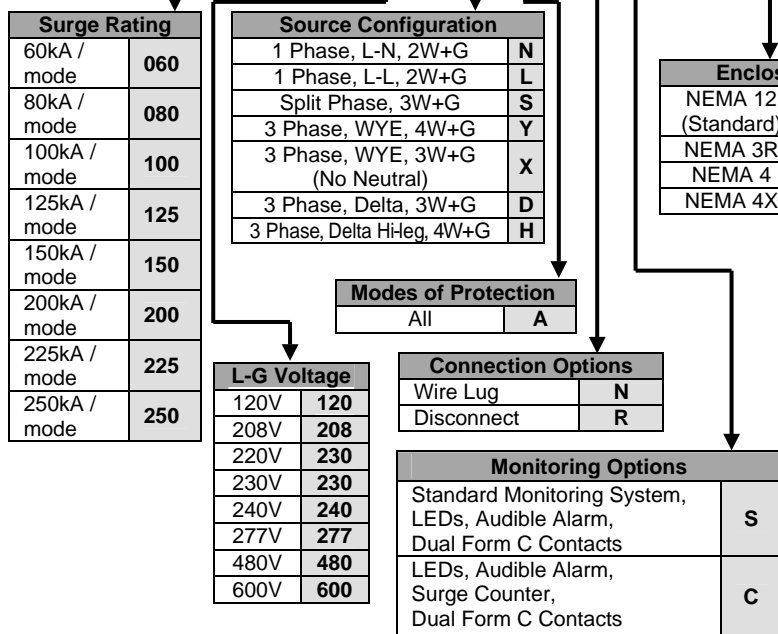
Maximum Continuous Operating Voltage (MCOV)..... 120V 125%, all others 115%
Fault Current Rating (AIC)..... 200 kAIC
Operating Frequency Range..... 47 – 63 Hz
Response Time <0.5 ns
Operating Humidity..... 0% to 95%
Status Indication..... LEDs, Audible Alarm, Dry Contacts
Certifications..... UL 1449 & 1283, CUL, NEMA LS1, ISO 9001:2000
Enclosure NEMA 12
Warranty 5 Years Parts

Example Part Number: LM250120YARCE
 500kA per Phase (250kA per Mode),
 120/208V 3-Phase Wye, All Mode,
 Rotary Disconnect, LED's, Alarm,
 Counter, & Dual Form C Contacts,
 NEMA 12 Enclosure

UL 1449 second edition clamping data				
Configuration	L-N	L-G	L-L	N-G
120S, 120Y	400	400	700	400
240D	X	700	700	X
346Y	1200	1200	2000	1200
230Y, 277Y	700	700	1500	700
480D	X	1500	1500	X
600D	X	1800	2000	X

Life Cycle Surge Testing 10kA, 20kV, IEEE Cat. C3		
Unit	Per Mode	Per Phase
060-080	8,000	16,000
100-150	16,000	32,000
200-250	24,000	48,000

Model # LM



EMI/RFI Noise Rejection		
Single Unit	Frequency	System Installation
34dB	100kHz	51dB
51dB	1MHz	94dB
54dB	10MHz	114dB
48dB	100MHz	120dB

Dimensional data in inches and shipping weight in pounds											
Unit	Options	A	B	C	D	E	F	G	Wt.		
LM060	LM080	All	16	14	8	16.75	12	0.31	1.35	32	
LM100	LM125	LM150	All	16	14	8	16.75	12	0.31	1.84	41
LM200	LM225	LM250	All	20	16	9	21.25	10	0.44	1.84	56

Job Name _____
 Model# _____
 Date _____
 Qty _____
 Quote# _____