

Met One Instruments, Inc. 1600 NW Washington Blvd, Grants Pass, OR TEL (541) 471-7111 Fax (541) 471-7116 metone@metone.com		
TITLE <h2 style="margin: 0;">E-Sampler Operation Manual</h2>		
DWG NO <h3 style="margin: 0;">E-SAMPLER-9800</h3>	REV <h3 style="margin: 0;">A</h3>	
USED ON <h3 style="margin: 0;">E-Sampler</h3>		
Originator Approval	Checker Approval	Document Control Administrator Approval

REVISIONS			
REV.	DESCRIPTION	DATE	BY
A	Initial Release.	11Nov02	MH

Printing Instructions:

1. Do not include title and revision block page(s) as part of manual (i.e. this page).
2. Print double sided final from single sided master.

Assembly Instructions:

1. Do not include title and revision block page(s) as part of manual (i.e. this page).
2. Include standard Warranty/Service sheet as last page.
3. Use CERLOX presentation binding system (5/8" diameter, 4000086).

E-SAMPLER OPERATION MANUAL



Met One Instruments, Inc
1600 NW Washington Blvd.
Grants Pass, Oregon 97526
Telephone 541-471-7111
Facsimile 541-471-7116

Regional Service
3206 Main St. Suite 106
Rowlett, Texas 75088
Telephone 972-412-4715
Facsimile 972-412-4716

Technical Support

Should you require support, please consult your printed documentation to resolve your problem. If you are still experiencing difficulty, you may contact a Technical Service representative during normal business hours—7:30 a.m. to 4:00 p.m. Pacific Standard Time, Monday through Friday.

Voice: (541) 471-7111

Fax: (541) 471-7116

E-Mail: service@metone.com

Mail: Technical Services Department
Met One Instruments, Inc.
1600 Washington Boulevard
Grants Pass, OR 97526

Safety Notice

The contents of this manual have been checked against the hardware and software described herein. Since deviations cannot be prevented entirely, we cannot guarantee full agreement. However, the data in this manual is reviewed regularly and any necessary corrections included in subsequent editions.

Faultless and safe operation of the product presupposes proper transportation, storage, and installation as well as careful operation and maintenance. The seller of this equipment cannot foresee all possible modes of operation in which the user may attempt to utilize this instrumentation. The user assumes all liability associated with the use of this instrumentation. The seller further disclaims any responsibility for consequential damages.

Safety Conformity

NOTICE



CAUTION—Use of controls or adjustments or performance of procedures other than those specified herein may result in hazardous radiation exposure.



WARNING—This product, when properly installed and operated, is considered a Class I laser product. Class I products are not considered to be hazardous.

There are no user serviceable parts located inside the cover of this device. Do not attempt to remove the cover of this product. Failure to comply with this instruction could cause accidental exposure to laser radiation.

This system contains a laser operating at 670 nm. This wavelength is visible to the naked eye and can cause damage to the eye if directly exposed. The unit is protected by a protective housing. To avoid the possibility of accidental exposure, always power down the system any time service or repair work is being performed. There are no user serviceable parts located inside the cover of this device. Do not attempt to remove the cover of this product. Failure to comply with this instruction could cause accidental exposure to laser radiation. Repair of instrumentation manufactured by Met One Instruments, Inc. should only be attempted by trained manufacture service personnel.

Electrical & Safety Conformity

The manufacture certifies that this product operates in compliance with following standards and regulations:

- FDA / CDRH This product is tested and complies with 21 CFR, Subchapter J, of the health and Safety Act of 1968.
- US 21 CFR 1040.10

Warranty

Products manufactured by Met One Instruments, Inc. are warranted against defects in materials and workmanship for a period of (1) year from the date of shipment from the factory. Offered products not manufactured by Met One Instruments, Inc. will be warranted to the extent and in the manner warranted by the manufacturer of that product.

Any product found to be defective during the warranty period will, at the expense of Met One Instruments, Inc. be replaced or repaired and return freight prepaid. In no case shall the liability of Met One Instruments, Inc. exceed the purchase price of the product.

This warranty may not apply to products that have been subject to misuse, negligence, accident, acts of nature or that have or modified other than by Met One Instruments, Inc. Consumable items such as bearings are not covered under this warranty.

Other than the warranty set forth herein, there shall be no other warranties, whether expressed, implied or statutory, including warranties of fitness or merchantability.

Table of Contents

1	Safety	9
1.1	Safety Indicators	9
2	Introduction	10
2.1	Unpacking	10
2.2	E-Sampler Overview	11
2.2.1	Light Scatter	11
2.2.2	Gravimetric Filter Method	11
2.3	Getting Started	12
2.3.1	Mounting	12
2.3.2	Inlet Heater	13
2.3.3	Power	14
2.3.4	Using the Menu System	16
2.3.5	Basis Setup	16
3	Operation of the E-Sampler	17
3.1	E-Sampler Sub Systems	17
3.1.1	Light Scatter System	17
3.1.2	Filter Collection System	19
3.1.3	Flow System	20
3.1.4	Data System	21
3.2	Using the E-Sampler	23
3.2.1	Normal Continuous Operation	23
3.2.2	Timed Operation	24
3.2.3	K-Factor Operation	24
3.3	Maintaining the E-Sampler	26
3.3.1	Flow Calibration	26
3.3.1.1	Leak Check	26
3.3.1.2	Temperature	26
3.3.1.3	Pressure	27
3.3.1.4	Flow Meter	28
3.3.2	Filter Changes	28
3.3.3	Pump Maintenance	29
3.3.4	Inlet Cleaning	30
3.3.5	Maintenance Schedule	31
3.3.6	Accessories, Consumables, and Replacement/Spare Parts	32
4	Menu System	34
4.1	Display and Keypad	34
4.2	Text Display Conventions	34
5	User Interface Screens	35
5.1	About Screen	35
5.2	Operate Screen	35
5.3	Operate Caution Screen	36
5.4	Manual Zero and Span Screen	38

5.5	Timed Status Screen	39
5.6	Main Menu	39
5.7	Setup Menu	40
5.8	Set Clock	40
5.9	Setup Flow Control	41
5.10	Setup RH Control	41
5.11	Setup Station ID	42
5.12	Setup Average Period	42
5.13	Setup Engineering Units	43
5.14	Setup Concentration	43
5.15	Setup Zero Mode	44
5.16	Setup Span Mode	44
5.17	Setup Sampling Mode	45
5.18	Setup Timed	45
5.19	Setup Baud Rate	46
5.20	Calibrate Menu	46
5.21	Calibrate Ambient Temperature	47
5.22	Calibrate Barometric Pressure	47
5.23	Calibrate RH	48
5.24	Calibrate Flow	48
5.25	Memory Screen	49
5.26	Memory Caution Screen	50
6	Analog and Digital Services	51
6.1	Analog Input Channel Assignments	51
6.1.1	Analog Specification	51
6.2	Analog Input Channel Calibrations	52
6.3	Analog Outputs	52
6.3.1	Concentration Output	52
6.3.2	Concentration Output Equation	53
6.4	Digital Inputs	53
6.4.1	Wind Speed	53
6.5	Digital Outputs	53
6.5.1	Alarm Contacts	53
7	Communication Services	54
7.1	Commands	54
7.2	AutoMet Compatible Commands	55
8	Operational Rules	56

8.1	Turn ON Event.....	56
8.2	Zero Event	57
8.2.1	Auto Zero Event	57
8.2.2	Manual Zero Event.....	57
8.3	Span Event	57
8.3.1	Auto Span Event	58
8.3.2	Manual Span Event.....	58
8.4	LCD Display Control	58
8.5	RH Control	58
8.6	Volumetric Flow Equation.....	58
8.7	Volumetric Flow Control	59
8.8	Concentration Equation.....	59
8.8.1	Temperature Compensation Equation.....	60
8.9	Data Logger	61
8.10	Alarm Events	61

9 Appendix A - How to convert from Standard flow to Actual flow 62

Table of Figures

Figure 1	Light scatter by airborne particulate in the E-Sampler.....	11
Figure 2	Pre-weighing, sampling and post-weighing of the filters in manual samplers.....	12
Figure 3	Mounting the bracket.....	13
Figure 4	Inlet Heater installation	14
Figure 5	Internal battery connection	15
Figure 6	USP/External Battery connection.....	15
Figure 7	Clean air condition for the E-Sampler Nephelometer.....	17
Figure 8	Light scatter due to airborne particulate.....	18
Figure 9	Measured concentration increases with increasing RH.....	19
Figure 10	E-Sampler Flow system.....	20
Figure 11	The OPERATE screen in the OFF mode.....	23
Figure 12	The E-Sampler Operation screen.....	24
Figure 13	Metric Calibrate Ambient Temperature screen.....	27
Figure 14	Metric Calibrate Ambient Pressure screen.....	27
Figure 15	Flow calibration screen.....	28
Figure 16	Filter location diagram.....	29
Figure 17	Inlet diagram.....	30
Figure 18	Detailed diagram for Consumables and Spare parts.....	33
Figure 19	About Splash screen.....	35
Figure 20	English operate screen.....	35
Figure 21	Metric Operate screen.....	35
Figure 22	Caution Screen.....	36
Figure 23	Manual Zero and Span screen.....	38
Figure 24	Timed Status screen.....	39
Figure 25	Main Menu screen.....	39

Figure 26 Setup Menu screen.	40
Figure 27 Set clock screen.	40
Figure 28 Setup Flow Control screen.	41
Figure 29 Setup RH control screen.	41
Figure 30 Setup Station ID screen.	42
Figure 31 Setup Averaging Period Screen.	42
Figure 32 Setup engineering units screen.	43
Figure 33 Setup Concentration Screen.	43
Figure 34 Setup Zero Mode screen.	44
Figure 35 Setup Span Mode screen.	44
Figure 36 Setup Sampling Mode screen.	45
Figure 37 Setup Timed screen.	45
Figure 38 Setup Baud Rate screen.	46
Figure 39 Calibrate Menu screen.	46
Figure 40 English Calibrate Ambient Temperature screen.	47
Figure 41 Metric Calibrate Ambient Temperature screen.	47
Figure 42 English Calibrate Barometric Pressure Screen.	47
Figure 43 Metric Calibrate Barometric Pressure Screen.	48
Figure 44 Calibrate RH screen.	48
Figure 45 Calibrate Flow screen.	49
Figure 46 Memory screen.	49

1 Safety

1.1 Safety Indicators

This manual uses a **CAUTION** and a **WARNING** indication. Familiarize yourself with the following definitions for the meanings of these indicators.

A **CAUTION** indicates a hazard and calls attention to a procedure that if not correctly followed could result in damage to the instrument. Do not proceed beyond a caution indicator without understanding the hazard.

A **WARNING** indicates a hazard to you and calls attention to a procedure that if not correctly followed could result in injury or even death. Do not proceed beyond a warning without understanding the hazard.

2 Introduction

2.1 Unpacking

When you unpack the E-Sampler and accessories, inspect the carton for obvious damage. If the carton is damaged notify the carrier. Unpack everything and make a visual inspection. The E-Sampler is shipped with the following accessories:

- Universal Power Supply/Battery Charger
- 47 mm Filter Holder
- TUS Software
- TSP Inlet
- Digital Output Cable
- Instruction Manual
- Internal Battery Cable
- 3/16" Allen wrench
- Mounting Bracket

If purchased, the following options may also be included:

- Sharp Cut Cyclone for PM10, PM2.5 or PM1
- Extra 47 mm Filter holder
- Aluminum Tripod
- MicroMet Plus or AIR Software
- Radio Modem
- Phone Modem
- GOES Satellite System
- Wind Speed/Direction Sensor
- Ambient RH
- External battery Cable
- Weatherproof Enclosure with AC power supply

If any of the above components are missing contact the Met One service department at service@metone.com or 541.471.7111. Keep the carton and packing material for reuse.

2.2 E-Sampler Overview

The E-Sampler is a combination of two technologies each with strengths and weakness. These two systems are light scatter as a measurement of airborne particulate and the gravimetric method for determination of airborne particulate.

2.2.1 Light Scatter

The E-Sampler uses light scatter from suspended particulate to provide a continuous real-time measurement of airborne particulate. An internal visible laser diode is collimated and directed through sample air. This sample air is drawn into the E-Sampler by an internal rotary vane pump. Flow rate is controlled based on actual conditions for accurate cut-points through the sharp-cut cyclone.

When particulate laden sample air intersects the laser beam a portion of the light is scattered. The scattered light is collected at a near forward angle and focused on a photo diode that converts the light to an electric signal proportional to the amount of scattered light.

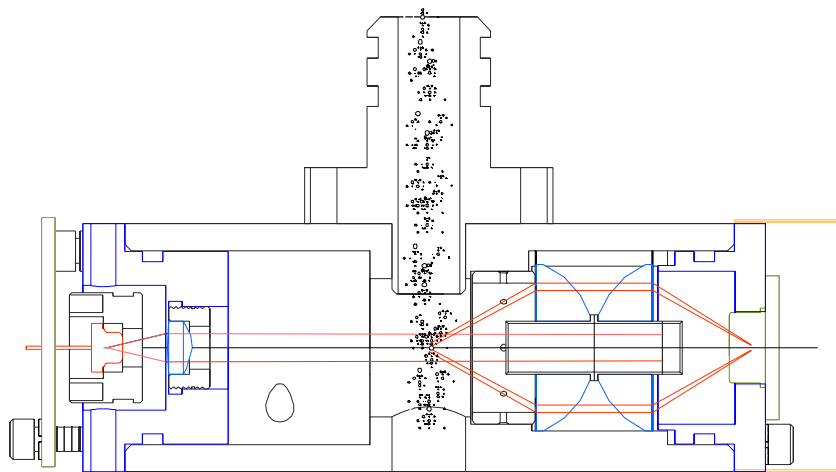


Figure 1 Light scatter by airborne particulate in the E-Sampler.

Forty measurements are made each second and averaged to update the datalogged concentration every second. To assure stable concentration data the E-Sampler can Auto-Zero and Auto-Span. Both can be programmed to activate at 15 minute to 24 hour time periods or they can be operated manually.

2.2.2 Gravimetric Filter Method

Standard equipment on the E-Sampler is the 47 mm filter system. This system is the second method to obtain airborne particulate data. After the sample air has been measured by the light scatter system it is deposited on a 47 mm filter. The material used in the 47 mm filter system can be selected based upon subsequent laboratory analysis.

One of the most important uses for the 47 mm filter is determination of a gravimetric K factor for the E-Sampler. Light scatter can measure particulate incorrectly due to index of refraction or particle size. This has been a limitation with many light scatter instruments. The solution has been to perform a side-by-side comparison with a filter based manual sampler. Manual samplers weigh the 47 mm filter at standard conditions in a laboratory, then pull a known amount of air through the sample and finally re-weigh the filter. The change in weight (μg) divided by the amount of air drawn (m^3) through the manual sampler is equal to the concentration ($\mu\text{g}/\text{m}^3$).

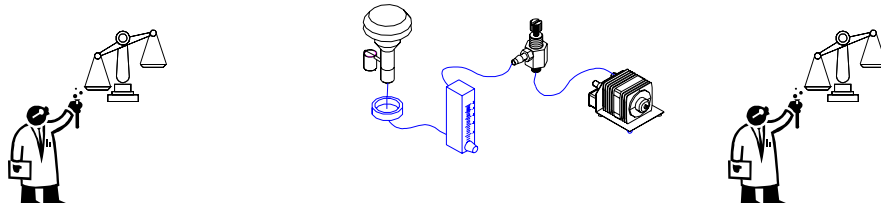


Figure 2 Pre-weighing, sampling and post-weighing of the filters in manual samplers.

The manual sampler method is the standard measurement technique in most countries. It is very accurate and yields repeatable data. In the E-Sampler determining the K factor is simple. The volume of air is automatically calculated by the E-Sampler. The concentration from the light scatter instrument is totaled and by simply inputting the change in weight of the gravimetric filter a K factor is computed.

The E-Sampler does not need to be operated with a 47 mm filter. All that is required is the 47 mm cassette to seal the flow system.

2.3 Getting Started

2.3.1 Mounting

All E-Samplers have hardware features that enable them to be mounted on a tripod, round or square pole, or wall mounted. Met One offers a rugged all aluminum tripod for quick easy deployment.

Met One Tripod

The EX-905 tripod was designed specifically for the E-Sampler. The integral mounting system sets up in less than 5 minutes.

1. Tripod – lift the tripod and remove the three lock pins. Spread the tripod legs and re-insert the three lock pins. If the E-Sampler is to be used under conditions that require additional stability, the tripod may be bolted to a firm surface using the $\frac{1}{4}$ " holes in the tripod feet. Set the tripod on level ground.
2. E-Sampler – attach the inlet heater tube if necessary. Place the SCC and/or the TSP head on the inlet heater tube. See section 2.3.2 for inlet heater installation.

3. Lift up the E-Sampler enclosure with the aerosol inlet oriented upwards. Slide the slot on the back of the cabinet down over the tab on top of the tripod. A ¼ inch nut and bolt is provided to attach the bottom of the cabinet to the tripod.

Pole Mounting

1. If the E-Sampler is to be pole mounted use the provided bracket.

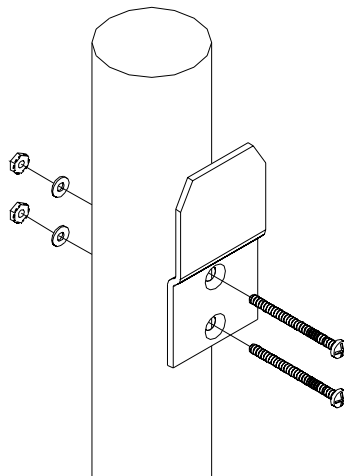


Figure 3 Mounting the bracket.

The bracket can be bolted to the pole or it can be clamped using a hose clamp of the appropriate size. The hole pattern on the bracket is made for a flat head ¼-20 (6 mm) fastener. Met One recommends using this style and size of fastener. Select the length based on the size of pipe.

2. Use the bracket as the hole pattern. Mark and drill 17/64” (6.5mm) diameter holes. Insert the fasteners and tighten securely.
3. Lift up the E-Sampler enclosure with the aerosol inlet oriented upwards. Slide the slot on the back of the cabinet down over the tab on top of the bracket.
4. The tab on the bottom of the E-Sampler can either be bolted to the pipe or clamped using a similar hose clamp.

Wall Mounting

1. If the E-Sampler is to be wall mounted use the provided bracket. Bolt the bracket to the wall see Pipe Mounting for details.
2. Lift up the E-Sampler enclosure with the aerosol inlet oriented upwards. Slide the slot on the back of the cabinet down over the tab on top of the bracket.
3. Bolt the tab on the bottom of the E-Sampler to the wall.

2.3.2 Inlet Heater

The E-Sampler is shipped without the inlet heater assembled. This assembly consists of: three 6-32 socket head screws with locking washers, aluminum inlet with heater wrap and a plastic housing. Follow the directions and Figure 4 to assemble the Inlet Heater.

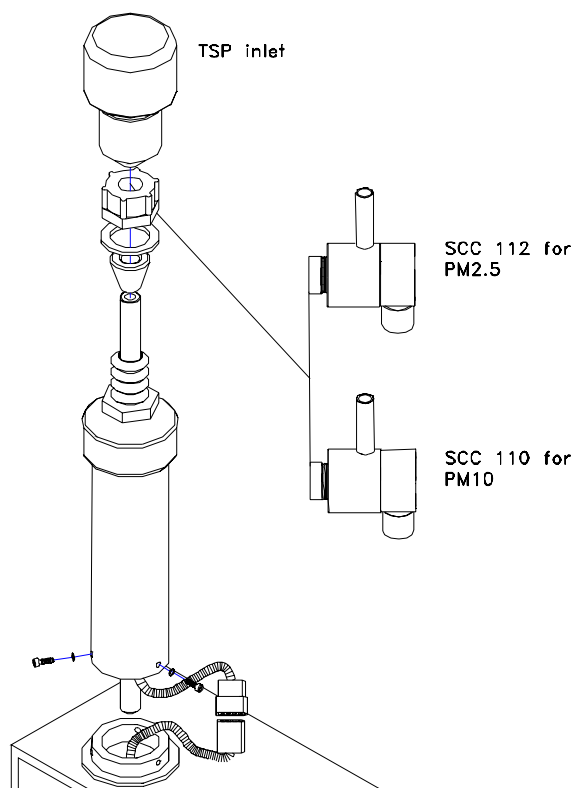


Figure 4 Inlet Heater installation

1. Insert the aluminum inlet tube into the E-Sampler top. Connect the Heater power connector.
2. Remove the plastic nut, washer and rubber gland fitting from the plastic housing
3. Slide the plastic housing over the aluminum inlet tube and align the holes in the housing with the mating holes on the top of the E-Sampler.
4. Insert the three 6-32 socket head screws with locking washers and tighten.
5. Slide the rubber gland, washer and plastic nut over the top of the aluminum inlet and firmly tighten the nut.
6. Note: all units must be operated with the TSP inlet. Optional Sharp Cut Cyclones may be added.

2.3.3 Power

The E-Sampler is a battery-operated instrument. It can sample using its internal battery or an external battery with the included cable. It can also run continuously off AC power using the universal power supply. The internal battery is any 12 VDC lead acid battery with maximum dimensions of 3.9" width (100 mm) 3.85" height (98 mm) and 6" length (150 mm). Met One recommends using a YUASA NP12-12 battery. To locate a YUASA battery dealer go to the following web site:

http://www.yuasabatteries.com/dealer_search.asp

For internal battery operation connect the internal battery cable to the battery.

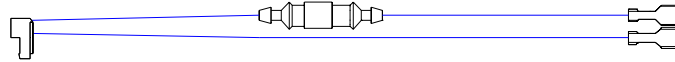


Figure 5 Internal battery connection.

Plug the red wire into the positive side of the battery and the black wire to the negative side. Plug the three prong connector into the E-Sampler interconnect board and the unit is operational. Note: this cable has a fuse. If the unit does not operate on a fully charged battery check the fuse. The part number for a spare fuse is 590807. For a complete list of spare parts and consumables see section 3.3.6.

For external battery connection connect the external battery cable to the battery and plug the watertight connector into the bottom of the E-Sampler enclosure. See Figure 6.

If AC power is available use the universal power supply (UPS). Plug the UPS into the bottom of the E-Sampler. UPS/External battery connection is shown in Figure 6.



Figure 6 USP/External Battery connection.

When the universal power supply is used with an internal battery it will both operate the E-Sampler and charge the internal battery. Note: the E-sampler cannot operate with an **external** battery **and** the universal power supply. Both of these options connect to the E-Sampler at the same location.

2.3.4 Using the Menu System

Applying power to the E-Sampler brings up the Intro screen for 5 seconds, which details the firmware version, used in the E-Sampler. After the Intro screen the E-Sampler defaults to the OPERATE screen. The real-time concentration, current time, flow rate and sampling condition are displayed. Pressing the DOWN arrow displays current external sensor readings. Pressing the LEFT arrow key will scroll back through historical logged data. The UP/DOWN/LEFT/RIGHT keys are used to navigate a matrix of logged data. This matrix has 3 rows and up to 12000 columns of historical logged data. Press the RIGHT arrow and UP arrow to return to the current concentration display screen. Note: the RIGHT arrow key must be pressed the same number or more times as the LEFT arrow key was pressed. Also with the UP/DOWN keys. You may press ESC at anytime to immediately return to the current concentration screen from any historical data screen.

The MENU key may be pressed at anytime in any screen to enter the main menu screen. This screen is the top of a tree style menu system. Use the cursor to highlight an entry and press MENU again to select that entry. Pressing ESC will back up along the tree to the top.

2.3.5 Basis Setup

The E-Sampler is factory configured to measure TSP (Total Suspended Particulate) on 1-hour averages continuously. Once power is applied to the unit it will automatically begin to sample until the power supply drops below 10.5 VDC. The following table lists the factory configuration for the E-Sampler. After each entry is the manual section detailing how to modify the factory settings.

<u>Function</u>	<u>Setting</u>	<u>Manual Section</u>
Sample Period	1 Hour	5.12
Sampling Mode	Continuous	5.17
AutoZero	Every Hour	5.15
AutoSpan	Every Hour	5.16
Flow Rate	2.0 LPM	5.9
Time	Pacific Standard Time	5.8
Concentration Range	0-500 μ g/m ³	5.14
Analog Voltage	0-1 Volt	6.3.1
K-Factor	1.0	5.14
Heater RH Setpoint	50%	5.10
Communication Rate	9600 Baud	5.19
Station ID	0001	5.11
Engineering Units	English	5.13
Cut Point	TSP	

3 Operation of the E-Sampler

3.1 E-Sampler Sub Systems

The E-Sampler is a combination of different systems. Each system can be individually checked and verified of proper operation. These checks assure accurate data and uninterrupted operation. The following sections detail each system and any applicable verification tests.

3.1.1 Light Scatter System

The heart of the E-Sampler is the nephelometric measurement. This measurement is based on the light scatter of airborne particulate. Air is actively drawn into the light scatter sensor (nephelometer) with a flow controlled rotary vane vacuum pump. The nephelometer has a light source (low power laser diode with collimating optics), scattered light collection optics, and a photo detector circuit. The flow path for the air crosses the path of the laser diode. When the air is clean (no airborne particulate) the laser diode is extinguished in a light trap, see Figure 7.

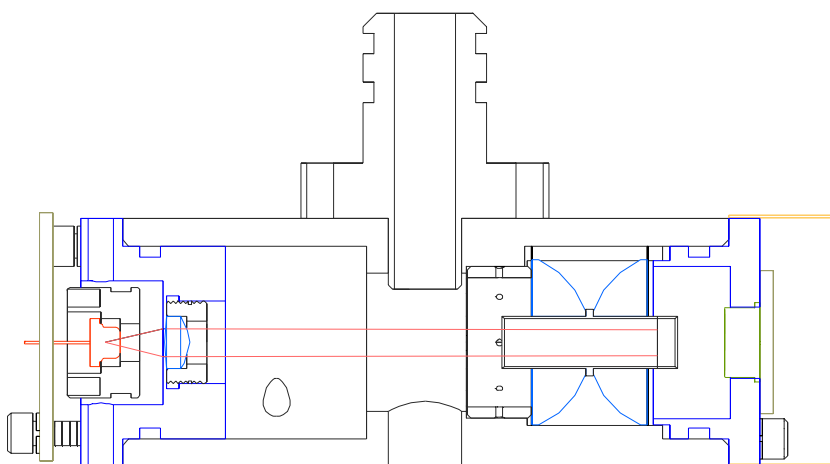


Figure 7 Clean air condition for the E-Sampler Nephelometer.

This clean air condition without scattered light is the auto-zero condition. During an Auto-zero the E-Sampler filters the air through a 0.2-micron pore size 99.99% efficient filter element before it enters the sensor. The E-Sampler will automatically zero itself on a programmed basis. See Section 5.15 for details.

During normal sampling the incoming air will contain airborne particulate. The particulate follows the air stream and enters the sensor. This particulate is what scatters the light that is collected and measured. See Figure 8. The scattered light is proportional to amount of particulate in the air. There is a linear relationship between the scattered light and the mass of particulate in the E-Sampler to concentrations greater than 100000 $\mu\text{g}/\text{m}^3$.

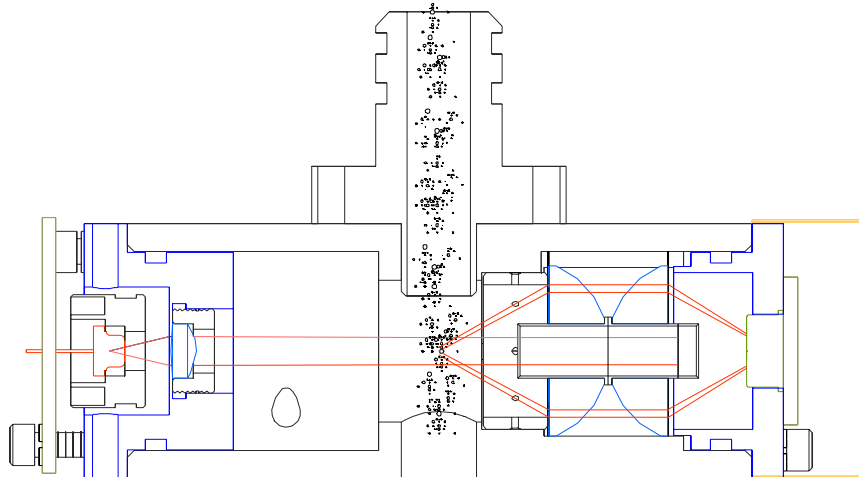


Figure 8 Light scatter due to airborne particulate.

The scattered light is collected and focused on a silicon photo diode. The output from the photo diode is temperature compensated and recorded in the internal datalogger at the programmed averaging period.

Particulate weight per unit volume (mg/m^3) is the standard measurement for the E-Sampler. Met One has found that the relative humidity (RH) of the air has an influence upon the measurement of particulate weight by nephelometers. A recent study in Atmospheric Environment showed that RH could drastically affect the concentration measurement. In Figure 9 the desired concentration ratio is 1. At RH values greater than 50% this ratio begins to increase due to particle aggregation (particle size increases as water is absorbed).

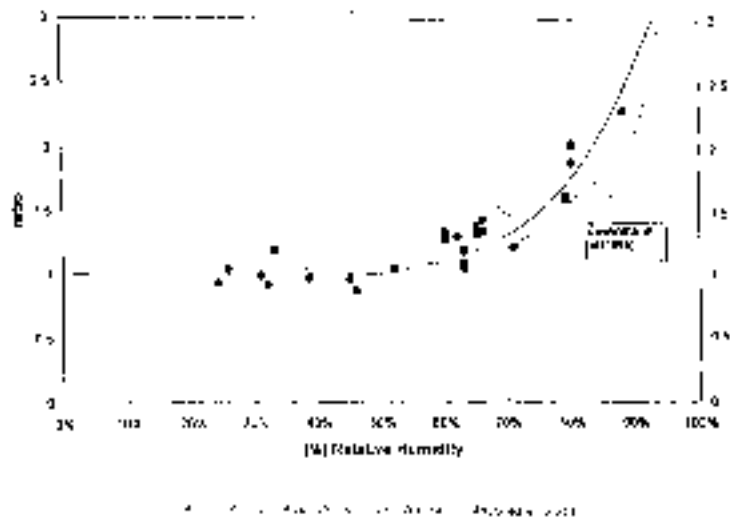


Figure 9 Measured concentration increases with increasing RH.

The E-Sampler prevents this through a unique heated inlet that uses an internal RH sensor. The RH of the incoming air is measured and at a customer set point the inlet heater is activated to keep the RH from changing the true concentration.

Two checks are used to verify the accuracy of the nephelometer system, which are Auto-Zero and Auto-Span. Both can be configured to operate continuously at set time intervals or manually. See section 5.15 and 5.16 for detail on the Auto-Zero and Auto-Span functions.

3.1.2 Filter Collection System

Downstream of the nephelometer measurement is the 47 mm filter. The filter media can be selected depending on laboratory analysis. The following table gives some general uses for different filter mediums.

Filter Medium	Applications
Polycarbonate	SEM analysis, Epifluorescent microscopy, Reflective light microscopy, Asbestos monitoring, Chemotaxis, Parasitology, Cytology
Nylon	Bioassays, particle analysis
PVC medical Grade	Silica analysis, Black Carbon or quartz particulates
Quartz	Gravimetric, Heavy Metals
PTFE	EPA Standard for PM2.5 FRM samplers Gravimetric

These filters may be purchased online at both Whatman and Millipore.

www.millipore.com

www.whatman.com

The E-Sampler can be operated without a 47 mm filter element. Only the cartridge is required to seal the flow path.

One of the most powerful uses for the 47 mm filter element is a gravimetric calibration of the continuous light scatter measurement. All light scatter devices have inherent difficulties when converting light scatter to mass. Index of refraction and mean particle diameter can affect the amount of light scattered from the same amount of mass. The simplest solution is to compare the light scatter concentration for a set period of time with a gravimetric concentration over the same period of time. Comparing the concentrations will yield a K-factor that can be entered into the E-Sampler. All subsequent concentration values will be adjusted by this K-factor. See section 3.2.3 for details on this procedure.

3.1.3 Flow System

One of the automated tests the E-Sampler does to assure quality data is the Auto-Zero. This feature is possible because of a unique Met One flow system. The DC pump is able to reverse the flow direction when the voltage polarity is reversed. A series of low-pressure check valves redirects the flow path through a 0.2-micron filter element. The filtered air is then used to flush the optical chamber and remove any airborne particulate. A measurement is made of clean filtered air and a baseline established. Figure 10 gives the details of the flow system.

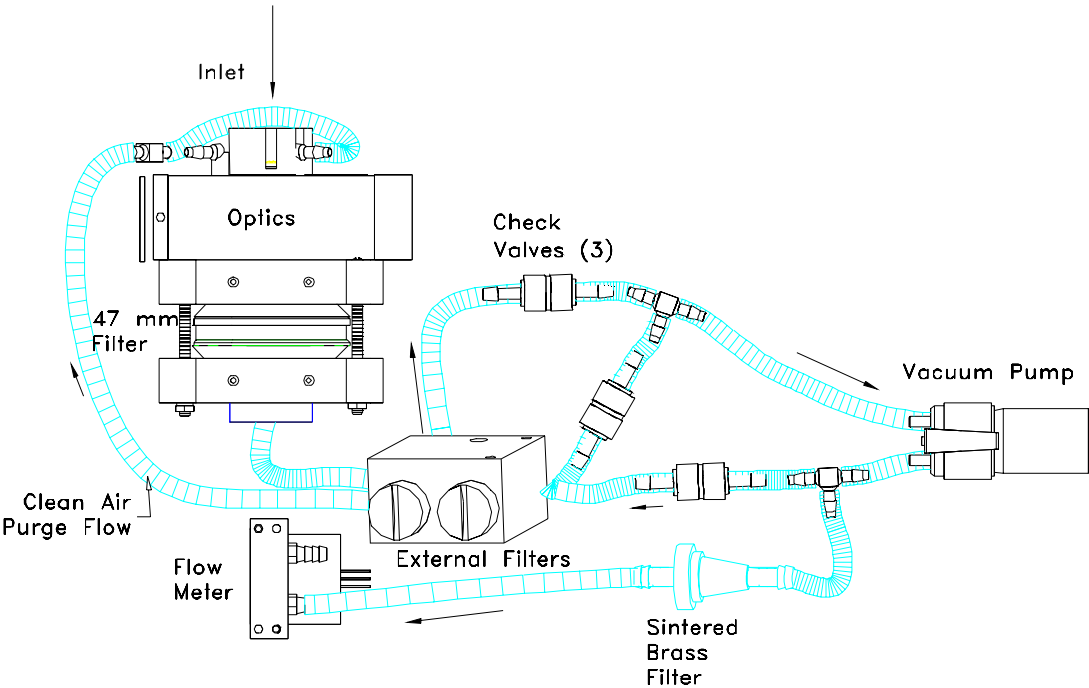


Figure 10 E-Sampler Flow system.

The flow system is an integral component of the E-Sampler. To assist understanding the E-Sampler flow system a complete description is included.

1. Ambient air is sampled through the inlet at the flow setpoint. To change the flow setpoint see section 5.9
2. Sampled air is measured by the optics and if a 47 mm filter is installed deposited on the filter.
3. Sampled air is drawn through the pump protection filter. This is a 5-micron pore size filter element part number 580292. For a complete list of E-Sampler consumable and spare parts see section 3.3.6. Note: this filter element is labeled on the front decal.
4. Sampled airflow exits out the back of the filter block and through the first check valve to the vacuum side of the pump. The tee fitting in this line connects to a second check valve. This path is active when the E-Sampler does an Auto-Zero and the pump is reversed.
5. Sample air exhausts through the pump to a second tee fitting. A portion (10%) of the air is re-circulated through another check valve and into the Purge Filter. The purge filter is a 0.2-micron filter part number 580302. This portion of air goes up to the optics. It is used to continually curtain the optics with clean air that prevents dirt from depositing on sensitive components. During the Auto-Zero cycle 100% of the air is circulated through the 0.2-micron filter.
6. The other side of the tee fitting directs the air through a mass flow sensor. Ambient Temperature and Pressure are measured and Actual flow is calculated. Note: the same amount of air that enters the inlet exits through the flow meter. The purge air is a loop of re-circulated air.

3.1.4 Data System

The primary purpose of the E-Sampler is to gather useful data about the environment. Information about airborne particulate concentration, ambient temperature, ambient pressure, relative humidity, wind speed and wind direction. The data recorded by the E-Sampler may be accessed through a number of different methods – the LCD screen, analog output, TUS software, Terminal software and MicroMet Plus or Air Plus software.

Standard to the E-Sampler is a powerful 10-channel data logger. A complete met system can be connected to the E-Sampler and used for data validation or air pollution studies. Every E-Sampler comes standard with ambient temperature and pressure. These values are used to calculate actual flow to maximize the accuracy of the cut point inlets. In addition to ambient temperature/pressure the E-Sampler can be outfitted with the following meteorological sensors:

Wind Speed

Wind Direction

Relative Humidity

Along with optional meteorological sensors the E-Sampler stores all the important information relative to accurate ambient air concentration. Below is a list of the parameters and measurements recorded by the E-Sampler:

Sample Period Concentration with data/time

Averaging period Concentration (1, 5, 15, 60 minute) with data/time





Battery Voltage

Errors with data/time

Flow Values

Once the data are stored retrieval of the data can be done a number of ways. The E-Sampler allows front screen viewing of the stored data.

26-NOV-2001 07:21:35
CONC: 0.000 MG/M3
FLOW: 1.9 LPM
TURN ON ZERO/SPAN
AT: -99.9 C
BP: 999999 PA
RH: 999 %
WS: 999 M/S
WD: 999 DEG
BV: 99.9 V

Press the , , , and  keys to traverse the parameter list. Pressing the Up/Down arrows moves the viewed window down or up the list. In the diagram above all that would be viewed is the two concentration values. Pressing the down arrow once moves the viewed window down and FLOW and WS would then be in the viewed window.

Pressing the Right/Left arrows moves the screen to historical data. Once the viewed window is in historical data the time in the top line of the viewed window will reflect the time of the historical record and SAMPLING will not appear in the window. Press ESC and the viewed window will go back to the current values.

The data can also be downloaded from the E-Sampler by any number of methods. Each E-Sampler is supplied with TUS software. This software automatically finds connection speeds, and hardware used to download data (i.e. RS232, GOES satellite, modems, and Cell phone/Radio modems). Met One can supply any configuration mentioned above.

The downloaded data are in a CSV file. This file type can be automatically opened with EXCEL or most spreadsheet programs. Met One offers a number of automatic programs that will download the data, graph, log error and signal alarms based on preset criteria. The software comes in two packages – MicroMet™ Plus or MicroMet™ AQ. Both simplify data collection, validation and viewing.

To download data install the software on a computer (TUS, MicroMet™ Plus or MicroMet™ AQ). Open the program and follow the instructions per the software package to configure and download the data. Make all the necessary connections and download. If the software is TUS open the CSV file with a spreadsheet or use the print function of TUS to view the data.

The E-Sampler data can also be downloaded using a terminal program (HYPERTERMINAL) and ESC commands see section 7.1 for command details.

The E-Sampler also has a voltage output for concentration. All E-Samplers are supplied with a communication cable. A portion of the cable is used for Serial downloads while another portion provides the concentration voltage output. The communication cable terminates into a 9-pin serial connector. Out of the back of the connector are two wires – a black and a white wire. The black wire is common while the white wire is the concentration voltage. Connect these wires to an external data logger to record concentration data on a central logger. The concentration output full-scale voltage can be set to 1, 2.5, 5 or 10 Volts in the SETUP screen from on the main menu. The concentration range for any full-scale voltage range is 0 to 1 mg/m³. If the concentration exceeds 1 mg/m³ the data is saved in the E-Sampler internal data logger and may be downloaded to supplement the excursion period. The E-Sampler has a concentration range from 0-65mg/m³.

3.2 Using the E-Sampler

The E-Sampler is designed to make environmental monitoring simple and effective. Applying power to the unit starts the E-Sampler using the last programmed protocol. Before starting a sample period, the E-Sampler Auto-Zeros and Auto-Spans to ensure accurate data. When both self-tests are complete the E-Sampler will operate continuously until user intervention or low power.

3.2.1 Normal Continuous Operation

Each E-Sampler is factory configured to operate in the normal continuous mode. For a complete listing of factory settings see section 2.3.5. Depending on the type of sampling these settings may need to be modified.

To Start a continuous sample connect the E-Sampler to a power source. See section 2.3.3 for a complete list of power options. If the E-Sampler does not start press the TURN ON soft key shown in Figure 11.

26-NOV-2001 07:21:35
CONC: 0.000 MG/M3
FLOW: 2.0 LPM
TURN ON

Figure 11 The OPERATE screen in the OFF mode.

The E-Sampler will run and collect data at the specified averaging period. It will continue to operate indefinitely or until power interruption. If the power

interruption is temporary the unit will Auto-Zero and Auto-Span once power is restored and continue to operate. Each power failure is logged in the Alarm log. For a complete list of alarms see section 8.10.

3.2.2 Timed Operation

If the E-Sampler is being used in certain monitoring situations where comparison are being made between collocated units the Timed Operation will allow easy synchronizing of sampler periods. Figure 12 shows the Timed Operation screen.

START AT:	
DD- <u>MM</u> - <u>20YY</u>	HH: <u>mm</u> : <u>ss</u>
DURATION: DD- <u>HH</u> : <u>mm</u>	
SAVE	EXIT

Figure 12 The E-Sampler Operation screen.

This screen has two date inputs – Start time and sample duration. The Start time is the Day and time that the E-Sampler will begin to sample. The duration is the length of time the E-Sampler will continue to sample. This feature will allow the E-Sampler to start a sampler period in the future to conserve battery life or to meet collocated criteria. The DURATION can be set as long as 99 days 23 hours and 59 minutes.

Besides collocation and battery conservation the Timed Operation is useful for K-factor determination. When using the Gravimetric 47 mm filter system to compare to the light scatter system it is useful to have a set sample period.

3.2.3 K-Factor Operation

To increase the accuracy of the E-Sampler at a certain location a K-Factor test may be necessary. A K-factor test is simply comparing the E-Sampler light scatter concentration to a gravimetrically determined concentration. This test is straightforward with the E-Sampler due to its gravimetric abilities.

1. Choose the filter material. For gravimetric analysis Met One recommends using a PTFE or Teflon filter.
2. Pre-weigh the filter according to standard protocol. See 40CFR50 for more information or contact a reputable lab.
3. Locate the E-Sampler. E-Sampler should be in an open area away from buildings and the drip lines of trees.
4. Determine the length of the test. For good gravimetric results there should be 0.500 mg of mass deposited on the filter.
 - a. Allow the E-Sampler to operate for 24 hours.
 - b. Download the data and average the concentration for all 24 hours.
 - c. Multiply the flow rate by 60/1000. This converts the LPM to Cubic meters per hour.

- d. Multiply the result from (c) the flow rate in m^3/hr by the results from (b) mg/m^3 . This gives the amount of mass that is deposited per hour (mg/hr).
- e. Divide 0.500mg by the results from (d) mg/hr to find the amount of time needed to operate the E-Sampler to calculate a K-factor.

Example

24-hour average concentration $0.035mg/m^3$ (b)
 Flow rate is 2.0 LPM multiply by $60/1000 = 0.12 m^3/hr$ (c)
 $0.035 mg/m^3 * 0.12 m^3/hr = 0.0042 mg/hr$
 $0.500 mg / 0.0042 mg/hr = 119$ hours or 5 days.

5. Program the E-Sampler to Operate in Timed Mode for the duration calculated from step 4.
6. After the sample period has ended from step 5 remove the gravimetric filter and reweigh.
7. Download the data and average the concentration for the entire sample period.
8. Use the change in mass (mg) results from the gravimetric analysis and the total flow (m^3) through the filter to calculate concentration. Total flow can be calculated from the known flow rate, sample duration, and Auto-Span/Zero info. The Auto-Span/Zero causes the flow to stop for 2 minutes each time that they are done. This time must be removed from the total flow calculation. For instance, if the flow rate was set to 2 LPM and Auto Span and Auto Zero were programmed for hourly operation then 2 minutes of each hour would not have flow going through the 47 mm filter. This amounts to 2 LPM times 2 minutes or 4 liters of air. Subtract this amount of air for every hour of the sample period.

Example

Sample Time (ST)	=	120 hours
Flow Rate (FR)	=	120 liters per hour
Span Flow (SF)	=	1 minute per hour 2 liters per hour
Zero Flow (ZF)	=	1 minute per hour 2 liters per hour
Clean Filter weight (CFW)	=	77.643 mg
Dirty Filter weight (DFW)	=	78.345 mg
Light Scatter average concentration (LSC)	=	$0.061 mg/m^3$

Volume of Air Sampled –

$$\begin{aligned}
 &= ST*FR - ST*(SF + ZF) \\
 &= 120*120 - 120*(2 + 2) \\
 &= 14880 \text{ liters} \\
 &= 14.88 m^3
 \end{aligned}$$

Mass Deposited

$$\begin{aligned}
 &= DFW - CFW \\
 &= 78.345 \text{ mg} - 77.643 \text{ mg} \\
 &= 0.702 \text{ mg}
 \end{aligned}$$

$$\begin{aligned}
47 \text{ mm Average Concentration} &= \text{mass divided by volume of air} \\
&= 0.702 \text{ mg} / 14.88 \text{ m}^3 \\
&= 0.047 \text{ mg/m}^3
\end{aligned}$$

Light Scatter Average Concentration is taken from the average for the total sample period from the downloaded data.

$$\begin{aligned}
\text{K-factor} &= 47 \text{ mm Average concentration} / \text{light scatter average concentration} \\
&= 0.047\text{mg/m}^3 / 0.061 \text{ mg/m}^3 \\
&= 0.77
\end{aligned}$$

Enter this value in the Setup Concentration screen see section 5.14. Once this value is entered all concentration values will be adjusted by this value.

3.3 Maintaining the E-Sampler

3.3.1 Flow Calibration

Flow rate is important in the E-Sampler for two reasons. The primary reason is for the cut point in the sharp cut cyclone. The momentum of the particles determines the cut point in a cyclone. Momentum is a product of the velocity multiplied by the mass. As particles enter the cyclone they are accelerated to a certain velocity that will separate particles at the cut point. The velocity in the cyclone is dependent on flow rate in actual conditions. For a better understanding of actual and standard flow see section 9. The E-Sampler controls the flow to actual conditions to maximize the cut point in the cyclone. Actual flow is based on the ambient temperature and pressure so these measurements must be verified/calibrated along with the flow rate. Secondly, if the gravimetric 47 mm filter will be used it is important to know the volume of air sampled through the filter.

3.3.1.1 Leak Check

Prior to a flow calibration the integrity of the flow system should be check by doing a simple leak check. Remove the inlet(s) and block the flow using the vinyl plastic cap that the E-SAMPLER was shipped with. The flow rate should drop to less than 0.3 LPM. If the flow is greater than 0.3 LPM the flow system must be check out. Check the flow system out be removing upstream components and redoing the leak check. When the leak check drop the last item removed has the leak. Replace worn parts such as o-rings or connectors. For a complete diagram of the flow system see Figure 10.

3.3.1.2 Temperature

The first item to verify and calibrate, if necessary, is the temperature sensor. Temperature is used to calculate Actual Flow.

Figure 13 is the metric temperature calibrate screen. The following menu selections OPERATE/CALIBRATE/CALIBRATE AT locate this screen. The E-SAM heading is the temperature the E-Sampler is measuring.

AMBIENT TEMPERATURE
E-SAM: 24.3 C
REF: -xx.x C
CALIBRATE DEFAULT

Figure 13 Metric Calibrate Ambient Temperature screen.

The REF is what the reference temperature sensor is reading. To calibrate the E-Sampler temperature sensor enter the reference temperature reading into REF line by moving the cursor to the REF line and up/down to change the value to match the reference reading. Once the value is entered in press CALIBRATE. The E-Sampler will automatically recalculate the measured temperature to match the reference temperature. Pressing DEFAULT restores the factory default calibration.

3.3.1.3 Pressure

The next item to verify and calibrate if necessary is the pressure sensor. Pressure is used to calculate Actual Flow. Figure 14 is the metric pressure calibrate screen. The following menu selections OPERATE/CALIBRATE/CALIBRATE BP locate this screen. The E-SAM heading is the pressure the E-Sampler is measuring.

BAROMETRIC PRESSURE
E-SAM: 999999 PA
REF: 999999 PA
CALIBRATE DEFAULT

Figure 14 Metric Calibrate Ambient Pressure screen.

The REF is what the reference pressure sensor is reading. To calibrate the E-Sampler pressure sensor enter the reference pressure reading into REF line by moving the cursor to the REF line and up/down to change the value to match the reference reading. Once the value is entered in press CALIBRATE. The E-Sampler will automatically recalculate the measured pressure to match the reference pressure. Pressing DEFAULT restores the factory default calibration.

3.3.1.4 Flow Meter

The final measurement used to find the Actual Flow is a mass flow meter. This calibration must be done after both pressure and temperature have been calibrated. Figure 15 is the flow calibrate screen. The following menu selections OPERATE/CALIBRATE/CALIBRATE FLOW locate this screen.

SETPOINT:	2.2 LPM
E-SAM:	2.2 LPM
REF:	2.1 LPM
CALIBRATE	DEFAULT

Figure 15 Flow calibration screen.

The setpoint is selectable to three points. These three points are determined by the Flow Setpoint programmed in the FLOW CONTROL menu see section 5.9. The set points are the flow setting, Flow setting + 0.2 LPM and Flow setting – 0.2 LPM from the programmed flow setting. This linearizes the output of the flow meter in the desired flow range.

1. Select the lowest SETPOINT.
2. Connect the reference flow meter to the inlet of the E-Sampler. The reference flow meter should have accuracy of 1%.
3. Wait for the pump to stabilize – approximately 2 minutes.
4. Enter the reference flow meter reading into REF line.
5. Select the highest SETPOINT and repeat steps 3-4.
6. Select the middle SETPOINT and check that the reading is within 0.1 LPM. If it is not within tolerance press default and repeat the procedure.

3.3.2 Filter Changes

Each E-Sampler has two internal filters that provide protection and clean purge air. The expected lifetime of the two filters is greater than one year. The filters are easily accessible through the front panel.

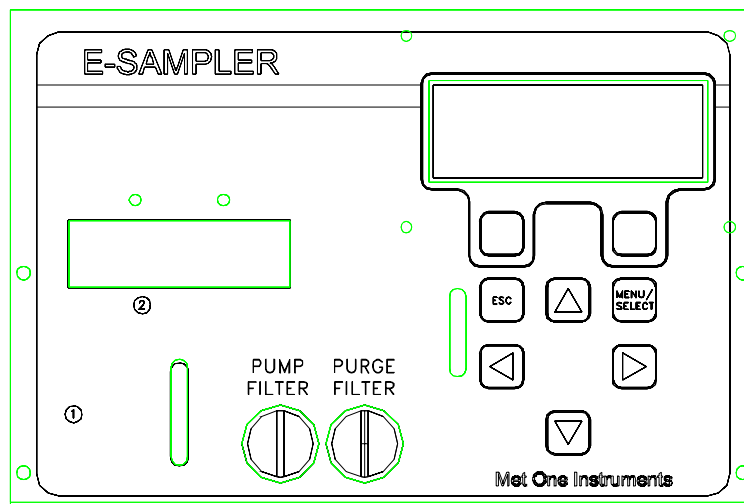


Figure 16 Filter location diagram.

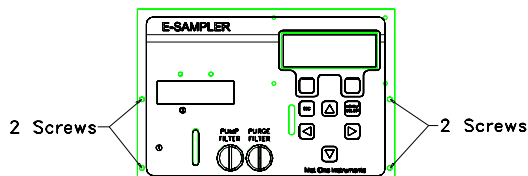
Depending on the sample environment these filters will need to be replaced or checked yearly.

3.3.3 Pump Maintenance

The internal rotary vane vacuum pump has an expected lifetime of 5000 hours. This amounts to 6 months of operation. Many pumps will last longer than 6 months, but it is good to have a spare unit. The pump can be tested by changing the flow setpoint to 3.0 LPM as shown in section 5.9. After the flow has been set to 3.0 LPM calibrate the flow as shown in section 3.3.1.4. If the pump is capable of calibration at 3.0 LPM it is a good pump. If the pump is unable to be calibrated at 3.0 LPM it will need to be replaced.

Pump replacement involves removing the E-Sampler electronics from the outdoor enclosure and replacing the pump with a new pump. The part number to order a new pump is 680847.

1. Remove the inlet see section 2.3.2.
2. Disassemble the E-Sampler electronics by removing the 4 Phillip head screws.



3. Carefully remove the electronics module. Set the module down on a clean static-free work mat.
4. Locate the pump. Remove the Tygon tubing from the vacuum and pressure ports. Note which tube connected to the vacuum side and pressure side. Each pump has a V or a P by the two ports to indicate the direction of the pump port.

5. Remove the pump from the spring clip bracket and unplug the electrical connector.
6. Connect the new pump to the Tygon tubing and press back into the spring clip bracket. Re-assemble by reversing the disassembly steps.

3.3.4 Inlet Cleaning

Depending on the particulate being sampled the inlet used on the E-SAMPLER will change. All units will use a TSP head. In addition to the TSP head sharp-cut cyclones may be used to remove particles greater than the cut-point. These inlet need to be periodically cleaned. The time interval between cleanings depends on the particulate load. Met One recommends cleaning the inlets once a month and based on the accumulation increase or decrease this interval.

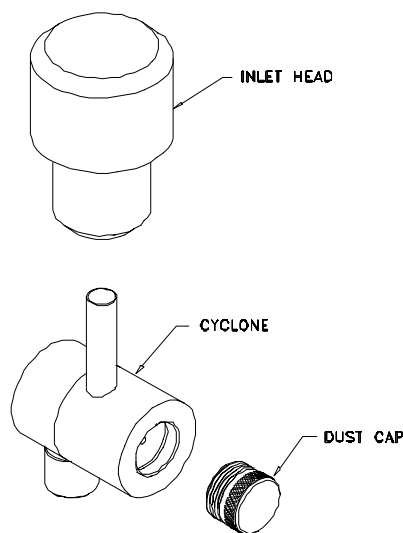


Figure 17 Inlet diagram.

Cleaning requires compressed air, isopropyl alcohol, and a lint free cloth. Remove the inlet(s) from the E-SAMPLER and disassemble as shown in Figure 17. Clean the TSP inlet head by loosening the 3 screws and separating the head into two parts. Clean the inside and outside of both with the lint-free cloth wetted with isopropyl alcohol. The cyclone does not need to be disassembled each time the inlet is cleaned. Simply empty the dust cap and blow out the cyclone with compressed air. Once a year the cyclone should be disassembled completely and cleaned with isopropyl alcohol. The cyclone can be disassembled by removing the three Allen head screws and pulling it apart.

3.3.5 Maintenance Schedule

Time Period	Item	Manual Section
Monthly	Leak Check	3.3.1.1
Monthly	Flow Calibration	3.3.1
Monthly	Inlet Cleaning	3.3.4
Monthly	Alarm Log	8.10
Bi-Monthly	Pump Check	3.3.3
Yearly	Pump Filter	3.3.2
Yearly	Purge Filter	3.3.2
Bi-Annually	Calibration	Factory
5 Years	Memory Battery	3.3.6

3.3.6 Accessories, Consumables, and Replacement/Spare Parts

Accessories

<u>Description</u>	<u>Met One Part Number</u>
PM10 Sharp-Cut Cyclone	SCC 110
PM2.5 Sharp-Cut Cyclone	SCC 112
Weatherproof AC Power Supply	EX-120
Wind Speed/Direction Sensor	EX-034
Shielded Ambient Relative Humidity Sensor	ES-593
Phone Line Modem	EX-961
Aluminum Tripod	EX-905
12 AmpHr Battery YUASA	390048
Service and Recalibration	SVC6085
Solar Panel Array	Call
Cell Phone Modem	Call
Radio Modem	Call

Consumables

Description	Figure #	Met One Part Number
Purge Filter	7	580302
Pump Filter	4	580292
Brass Filter	8	580299
Memory Battery Lithium Ion	13	9316

Replacement/Spare Parts

Description	Figure#	Met One Part Number
Rotary Vane Pump	9	680847
Check Valve	12	580073
Tee Fitting	11	580283
Flow Meter	10	9049
Spare Fuse for internal Battery Cable	NA	590807
Black Aluminum 47-mm Filter Holder	2	Call Factory
Black Aluminum Purge Filter Holder	5	8912
Black Aluminum Pump Filter Holder	3	8913
Oring for Pump/Purge Filter Holder	6	720063
47 mm Plastic Filter Cartridge	1	460128
Knob, for removal of 47 mm filter	14	1317
Internal RH Sensor	NA	9359
External Temperature Sensor	NA	9432
TSP Inlet	NA	9441

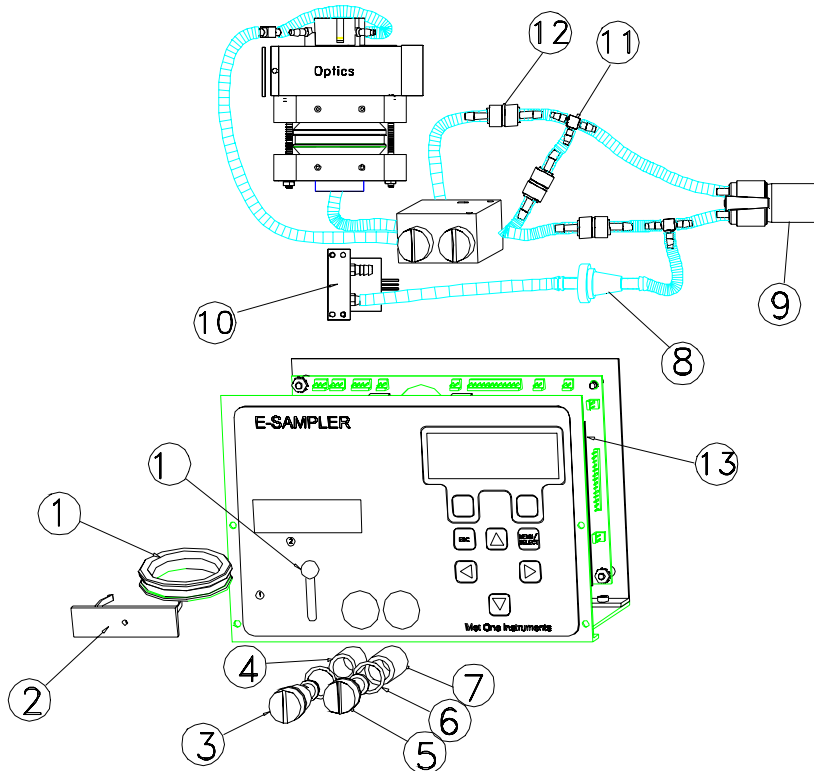


Figure 18 Detailed diagram for Consumables and Spare parts.

4 Menu System

4.1 Display and Keypad

The user interface consists of a 4-line by 20-character LCD display and a 3 by 4 matrix keypad. The keypad layout is as follows:

<i>Soft Left</i>		<i>Soft Right</i>
ESC	▲	MENU/ SELEC T
◀		▶
	▼	

The *Soft Left* and *Soft Right* keys are associated with row 4 of the LCD display. Their labels are controlled by the firmware. Display characters 1 to 10 are used to label the *Soft Left* key and characters 11 to 20 are used to label the *Soft Right* key.

4.2 Text Display Conventions

All text is UPPER case.

5 User Interface Screens

5.1 About Screen

```
MET ONE INSTRUMENTS
(541) 471-7111
WWW.METONE.COM
E-SAMPLER V1.23
```

Figure 19 About Splash screen.

Displayed for 2 seconds on power up.

5.2 Operate Screen

English Screen

```
26-NOV-2001 07:21:35
CONC: 0.000 MG/M3
FLOW: 9.9 LPM
TURN ON ZERO/SPAN
AT: -999.9 F
BP: 999 INHG
RH: 999 %
WS: 999 MPH
WD: 999 DEG
BV: 99.9 V
```

Figure 20 English operate screen.

Metric Screen

```
26-NOV-2001 07:21:35
CONC: 0.000 MG/M3
FLOW: 9.9 LPM
TURN ON ZERO/SPAN
AT: -99.9 C
BP: 999999 PA
RH: 999 %
WS: 999 M/S
WD: 999 DEG
BV: 99.9 V
```

Figure 21 Metric Operate screen.

Press the ▲ and ▼ keys to traverse the parameter list.

Press the ◀ and ▶ keys to traverse the logger data.

Press the **ESC** key to return to real time data.

Press the **MENU** key to return to the Main Menu screen.

Soft Left Key	Function
TURN ON	Pressing starts the sampling mode. Present the Operate Caution screen before executing the command.
TURN OFF	Pressing stops the sampling mode. Present the Operate Caution screen before executing the command.
TIMED	Indicates the sampling mode is timed. If not running, pressing goes to the Setup Timed screen for viewing and edit. If running, pressing goes to the Timed Status screen.

Soft Right Key	Function
ZERO	The unit is configured for manual Zero. Press to go to the Manual Calibrate screen.
SPAN	The unit is configured for manual Span. Press to go to the Manual Calibrate screen.
ZERO/SPAN	The unit is configured for manual Zero and Span. Press to go to the Manual Calibrate screen.

The unit status is displayed over the concentration value. The status messages are:

- UNIT OFF
- ZERO MODE
- SPAN MODE

5.3 Operate Caution Screen

```

>>>> CAUTION <<<<<
  ALTER E-SAMPLER
    OPERATION
CANCEL          TURN ON
  
```

Figure 22 Caution Screen.

Press **CANCEL** to return to the operate screen with out altering the operation of the unit.

Press **TURN ON/OFF** to alter the operation of the unit and return to the operate screen.

5.4 Manual Zero and Span Screen

```

MANUAL CALIBRATION
*****99
ZERO                SPAN
    
```

Figure 23 Manual Zero and Span screen.

Soft Left Key	Function
ZERO	<p>This key is active if the unit is configured for manual Zero. Press to start Zero calibration. While calibrating the percent progress bar is displayed. When completed display the result of the calibration:</p> <p style="text-align: center;">ZERO CALIBRATE FAIL!</p> <p style="text-align: center;">ZERO CALIBRATE OK!</p> <p>Calibration fails when the sensor voltage is below the limit. Each range has its own limit. The sensor voltage to the 3610 A/D is divided by 2.</p> <p>0 – 0.5 range limit is 0.005 V.</p> <p>0 – 1 range limit is 0.003 V.</p> <p>0 – 10 range limit is 0.002 V.</p> <p>0 – 100 range limit is 0.000 V.</p>

Soft Right Key	Function
SPAN	<p>This key is active if the unit is configured for manual Span. Press to start Span calibration. While calibrating the percent progress bar is displayed. The calibration process is done in the 0 – 10.0 mg/m³ range. When completed display the result of the calibration:</p> <p style="text-align: center;">SPAN CALIBRATE FAIL!</p> <p style="text-align: center;">SPAN CALIBRATE OK!</p> <p>Calibration fails when span reading is greater than +/- 10% of factory reference.</p>

Press the **ESC** key to return to the Operate screen.

Press the **MENU** key to return to the Main Menu screen.

Press any arrow key to display the sensor output voltage.

5.5 Timed Status Screen

```
STARTED :  
DD-MMM-20YY HH:mm:ss  
REMAIN: DD-HH:mm:ss  
TURN OFF      EXIT
```

Figure 24 Timed Status screen.

Display the start date and time and the remaining time of the sample.

Pressing the **TURN OFF** soft key stops the sampling mode. Present the Operate Caution screen before executing the command.

Press the **EXIT** soft key to return to the Operate screen.

Press the **ESC** key to return to the Operate screen.

Press the **MENU** key to return to the Main Menu screen.

5.6 Main Menu

```
>OPERATE  
SETUP  
CALIBRATE  
MEMORY  
ALARM LOG  
ABOUT
```

Figure 25 Main Menu screen.

Press the ▲ and ▼ keys to traverse the menu list.

Press the **SELECT** key to select the menu item.

Press the **ESC** key to return to the Operate screen.

5.7 Setup Menu

```
>CLOCK
AVERAGE PERIOD
CONCENTRATION
SAMPLING MODE
FLOW CONTROL
RH HEATER CONTROL
ZERO MODE
SPAN MODE
BAUD RATE
STATION ID
ENGINEERING UNITS
```

Figure 26 Setup Menu screen.

Press the ▲ and ▼ keys to traverse the menu list.

Press the **SELECT** key to select the menu item.

Press the **ESC** key to return to the Main Menu screen.

5.8 Set Clock

```
26-NOV-2001 07:21:35
DD-MMM-20YY HH:mm:ss
SET                               EXIT
```

Figure 27 Set clock screen.

Press the **MENU** or **ESC** key to return to the Setup Menu screen.

Press the **SET** soft key to return to the Setup Menu screen with clock set.

Press the **EXIT** soft key to return to the Setup Menu screen with clock not set.

5.9 Setup Flow Control

FLOW MODE: PM1
FLOW RATE: 3.5 LPM
SAVE EXIT

Figure 28 Setup Flow Control screen.

Parameter	Description
FLOW MODE	A pick list of flow rate names with preset flow rate set points.
FLOW RATE	The flow rate set point is editable from 2.0 to 3.5 LPM.

Mode	Rate (LPM)
PM1	3.5
PM2.5	2.0
PM10	2.0
MANUAL	2.0 to 3.5

Press the **MENU** or **ESC** key to return to the Setup Menu screen.

Press the **SAVE** soft key to return to the Setup Menu screen with changes saved.

Press the **EXIT** soft key to return to the Setup Menu screen with changes not saved.

5.10 Setup RH Control

INTERNAL RH: 50 %
RH SETPOINT: 100 %
SAVE EXIT

Figure 29 Setup RH control screen.

Parameter	Description
RH SETPOINT	The RH set point. Editable from 0 to 100 %.

Press the **MENU** or **ESC** key to return to the Setup Menu screen.

Press the **SAVE** soft key to return to the Setup Menu screen with changes saved.

Press the **EXIT** soft key to return to the Setup Menu screen with changes not saved.

5.11 Setup Station ID

STATION ID: 9999
SAVE EXIT

Figure 30 Setup Station ID screen.

Parameter	Description
STATION ID	A four-digit number from 0001 to 9999. The factory default is the last four digits of the unit serial number.

Press the **MENU** or **ESC** key to return to the Setup Menu screen.

Press the **SAVE** soft key to return to the Setup Menu screen with changes saved.

Press the **EXIT** soft key to return to the Setup Menu screen with changes not saved.

5.12 Setup Average Period

AVG PERIOD: 60 MIN
SAVE EXIT

Figure 31 Setup Averaging Period Screen.

Parameter	Description
AVG PERIOD	The Auto Met data logger rate. A pick list of 1, 5, 15, and 60 minutes.

Press the **MENU** or **ESC** key to return to the Setup Menu screen.

Press the **SAVE** soft key to return to the Setup Menu screen with changes saved.

Press the **EXIT** soft key to return to the Setup Menu screen with changes not saved.

5.13 Setup Engineering Units

```

ENGR UNITS: ENGLISH
SAVE                EXIT
    
```

Figure 32 Setup engineering units screen.

Parameter	Description
ENGR UNITS	The engineering units for temperature, pressure, and wind speed can be displayed in either metric or English units. A pick list of METRIC, ENGLISH.

Temperature, pressure, and wind speed parameters have metric and English units. Base units are metric. Operate screens, calibrate AT, calibrate BP, and file 2 report are affected.

Parameter	Metric Units	Metric Display Precision	English Units	English Display Precision	Metric to English Slope	Metric to English Intercept
Temperature	C	1	F	1	1.8	32.0
Pressure	PA	0	INHG	1	0.0002953	0.0
Velocity	M/S	1	MPH	0	2.237	0.0

Press the **MENU** or **ESC** key to return to the Setup Menu screen.

Press the **SAVE** soft key to return to the Setup Menu screen with changes saved.

Press the **EXIT** soft key to return to the Setup Menu screen with changes not saved.

5.14 Setup Concentration

```

RANGE: 0-65 MG/M3
DAC RANGE: 5.0 VOLT
K-FACTOR: 10.000
SAVE                EXIT
    
```

Figure 33 Setup Concentration Screen.

Parameter	Description
RANGE	Full scale concentration range in mg/m3. A pick list of 0-0.5, 0-1, 0-10, 0-65, AUTO.
DAC RANGE	Full scale concentration DAC output range. A pick list of 1.0, 2.5, 5.0.
K-FACTOR	Concentration scale factor from 0.100 to 10.000.

Press the **MENU** or **ESC** key to return to the Setup Menu screen.

Press the **SAVE** soft key to return to the Setup Menu screen with changes saved.

Press the **EXIT** soft key to return to the Setup Menu screen with changes not saved.

5.15 Setup Zero Mode

ZERO MODE: MANUAL
ZERO PERIOD: 24 HR
SAVE EXIT

Figure 34 Setup Zero Mode screen.

Parameter	Description
ZERO MODE	A pick list of AUTO, MANUAL.
ZERO PERIOD	A pick list of 15 MIN, 1 HR, 2 HR, 12 HR, 24 HR.

Press the **MENU** or **ESC** key to return to the Setup Menu screen.

Press the **SAVE** soft key to return to the Setup Menu screen with changes saved.

Press the **EXIT** soft key to return to the Setup Menu screen with changes not saved.

5.16 Setup Span Mode

SPAN MODE: MANUAL
SPAN PERIOD: 15 MIN
SAVE EXIT

Figure 35 Setup Span Mode screen.

Parameter	Description
SPAN MODE	A pick list of AUTO, MANUAL.
SPAN PERIOD	A pick list of 15 MIN, 1 HR, 2 HR, 12 HR, 24 HR.

Press the **MENU** or **ESC** key to return to the Setup Menu screen.

Press the **SAVE** soft key to return to the Setup Menu screen with changes saved.

Press the **EXIT** soft key to return to the Setup Menu screen with changes not saved.

5.17 Setup Sampling Mode

SAMPLING	
MODE: CONTINUOUS	
SAVE	EXIT

Figure 36 Setup Sampling Mode screen.

Parameter	Description
SAMPLING MODE	A pick list of CONTINUOUS, TIMED.

On screen entry Sampling Mode is always CONTINUOUS.

Press the **MENU** or **ESC** key to return to the Setup Menu screen.

Press the **SAVE** soft key to save changes. If CONTINUOUS is selected then return to the Setup Menu screen. If TIMED is selected then go to the Setup Timed screen.

Press the **EXIT** soft key to return to the Setup Menu screen with changes not saved.

5.18 Setup Timed

START AT:	
DD-MMM-20YY HH:mm:ss	
DURATION: DD-HH:mm	
SAVE	EXIT

Figure 37 Setup Timed screen.

Parameter	Description
DATE	Start date of timed sampling mode. The default

	is Today's date
TIME	Start time of timed sampling mode. The default is the current time.
DURATION	Duration of sampling mode. Range is 99-23:59 to 00-00:00. The default is 01-00:00 (24 Hr).

Press the **MENU** or **ESC** key to return to the Setup Menu screen.

Press the **SAVE** soft key to return to the Setup Menu screen with changes saved. The Operate screen TURN ON/OFF soft key will now read TIMED.

Press the **EXIT** soft key to return to the Setup Sampling Mode screen with changes not saved.

5.19 Setup Baud Rate

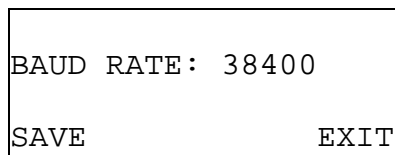


Figure 38 Setup Baud Rate screen.

Parameter	Description
BAUD RATE	RS-232 serial port baud rate. A pick list of 300, 600, 1200, 2400, 4800, 9600, 19200, 38400.

Press the **MENU** or **ESC** key to return to the Setup Menu screen.

Press the **SAVE** soft key to return to the Setup Menu screen with changes saved.

Press the **EXIT** soft key to return to the Setup Menu screen with changes not saved.

5.20 Calibrate Menu

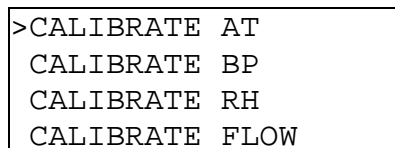


Figure 39 Calibrate Menu screen.

Press the ▲ and ▼ keys to traverse the menu list.

Press the **SELECT** key to select the menu item.

Press the **ESC** key to return to the Main Menu screen.

5.21 Calibrate Ambient Temperature

English Screen

AMBIENT TEMPERATURE
E-SAM: xxx.x F
REF: -xxx.x F
CALIBRATE DEFAULT

Figure 40 English Calibrate Ambient Temperature screen.

Metric Screen

AMBIENT TEMPERATURE
E-SAM: xx.x C
REF: -xx.x C
CALIBRATE DEFAULT

Figure 41 Metric Calibrate Ambient Temperature screen.

Parameter	Description
E-SAM	Real time E-Sampler parameter reading.
REF	Enter the current reference reading to calibrate to.

Press the **MENU** or **ESC** key to return to the Calibrate Menu screen.

Press the **CALIBRATE** soft key to calibrate to the reference conditions. This is a single point calibration where the offset is REF - E-SAM.

Press the **DEFAULT** soft key to restore factory calibration.

5.22 Calibrate Barometric Pressure

English Screen

BAROMETRIC PRESSURE
E-SAM: 99.9 INHG
REF: 99.9 INHG
CALIBRATE DEFAULT

Figure 42 English Calibrate Barometric Pressure Screen.

Metric Screen

BAROMETRIC PRESSURE
E-SAM: 999999 PA
REF: 999999 PA
CALIBRATE DEFAULT

Figure 43 Metric Calibrate Barometric Pressure Screen.

Parameter	Description
E-SAM	Real time E-Sampler parameter reading.
REF	Enter the current reference reading to calibrate to.

Press the **MENU** or **ESC** key to return to the Calibrate Menu screen.

Press the **CALIBRATE** soft key to calibrate to the reference conditions. This is a single point calibration where the offset is REF - E-SAM.

Press the **DEFAULT** soft key to restore factory calibration.

5.23 Calibrate RH

RELATIVE HUMIDITY
E-SAM: 99 %
REF: 99 %
CALIBRATE DEFAULT

Figure 44 Calibrate RH screen.

Parameter	Description
E-SAM	Real time E-Sampler parameter reading.
REF	Enter the current reference reading to calibrate to.

Press the **MENU** or **ESC** key to return to the Calibrate Menu screen.

Press the **CALIBRATE** soft key to calibrate to the reference conditions. This is a single point calibration where the offset is REF - E-SAM.

Press the **DEFAULT** soft key to restore factory calibration.

5.24 Calibrate Flow

```

SETPOINT: 4.0 LPM
  E-SAM: 9.9 LPM
    REF: 9.9 LPM
CALIBRATE      DEFAULT

```

Figure 45 Calibrate Flow screen.

Parameter	Description
SETPOINT	Calibration set point. A pick list of 2.0, 3.5.
E-SAM	Real time E-Sampler parameter reading.
REF	Enter the current reference reading to calibrate to.

Press the **MENU** or **ESC** key to return to the Calibrate Menu screen.

Press the **CALIBRATE** soft key to calibrate to the reference conditions. This is a two-point calibration at 2.0 and 3.5 LPM.

Press the **DEFAULT** soft key to restore factory calibration. Both calibration points (2.0 and 4.0) are restored.

When the screen is entered, the pump is turned on and the flow controller is set to maintain the flow at set point.

When the screen is exited, the pump is turned off.

5.25 Memory Screen

```

MEMORY
  99 % REMAINING
999.9 DAYS REMAINING
CLEAR      EXIT

```

Figure 46 Memory screen.

Parameter	Description
% REMAINING	Percent of unused memory.
DAYS REMAINING	Days remaining until circular buffer is full.

Press the **MENU** or **ESC** key to return to the Main Menu screen.

Press the **CLEAR** soft key to clear memory with Caution screen.

Press the **EXIT** soft key to return to Main Menu.

5.26 Memory Caution Screen

>>>> CAUTION <<<<<
CLEAR DATA LOGGER
MEMORY?
NO YES

Press the **MENU** or **ESC** key to return to the Main Menu screen.

Press the **YES** soft key to clear memory and return to Main Menu screen.

Press the **NO** soft key to return to Main Menu screen without clearing memory.

6 Analog and Digital Services

6.1 Analog Input Channel Assignments

Channel	Description	Location
P6.0/A0	Mass Flow	3610 J16
P6.1/A1	Ambient Temperature	3610 J18
P6.2/A2	Internal RH	3610 J20
P6.3/A3	Battery Level	3610 TP9
P6.4/A4	MD Concentration	3610 J12-6
P6.5/A5	MD IOP	3610 J12-7
P6.6/A6	MD Temperature	3610 J12-8
MUX AN0	External RH	3620 JR3-1
MUX AN1	Not used.	3620 JR3-4
MUX AN2	Not used.	3620 JR3-6
MUX AN3	Wind Direction	3620 JR2-3
MUX AN4	Not used.	
MUX AN5	Not used.	
MUX AN6	Not used.	
MUX AN7	Not used.	
PX1	Internal Barometric Pressure	PX1

6.1.1 Analog Specification

Input Range: 0 – 2.5 volts
Resolution: 12 bits

6.2 Analog Input Channel Calibrations

Description	Range	Offset	Slope
Mass Flow	0 – 6 LPM	Non-linear	Non-linear
Ambient Temperature	-51.3 – 95.8 C	95.8	-147.1
Internal RH	0 – 100 %	0.0	100.0
Battery Level	0 – 14.45 Volts	0.0	14.45
MD Concentration	0 – 100 mg/m ³	0.0	100.0
MD IOP	0 – 500 mA	0.0	500.0
MD Temperature	-51.3 – 95.8 C	95.8	-294.2
External RH	0 – 100 %	0.0	100.0
Not used.			
Not used			
Wind Direction	0 – 360 Degrees	0.0	360.0
Not used.			
Not used.			
Not used.			
Not used.			
Internal Barometric Pressure	30000 – 110000 Pa	30000.0	80000.0

Output Equation: Engineering Units = A/D counts / 4095 * Slope + Offset

MD Engine voltage outputs are divided by 2.

6.3 Analog Outputs

6.3.1 Concentration Output

There are 4 concentration output voltage ranges for each concentration range.

The ranges are: 0 – 1 V, 0 – 2.5 V, and 0 – 5 V.

The reference DAC output for the 0 - 1 V range is 2.5 V because the reference DAC cannot go lower than 2.048 V.

Description	Location
Concentration Output	3620 JR1-6
Common	3620 JR1-4

6.3.2 Concentration Output Equation

The DAC output equation for ranges 0 – 2.5 V and 0 – 5 V is:

$$\text{DAC} = 4095 * \text{Concentration} / \text{Concentration Range}$$

The DAC output equation for range 0 – 1 V is:

$$\text{DAC} = 4095 * \text{Concentration} / \text{Concentration Range} * 0.4$$

6.4 Digital Inputs

6.4.1 Wind Speed

Wind speed is measured in counts per seconds.

Channel	Description	Location
P1.0	Wind Speed	3620 JR2-4

Description	Range	Slope	Offset
Wind Speed	0.28 – 44.98 m/s	44.7	0.28

Output Equation: Engineering Units = A/D counts / 4095 * Slope + Offset

6.5 Digital Outputs

6.5.1 Alarm Contacts

The alarm output is a pair of dry contacts.

The contacts are closed when no alarm is present.

The contacts are open when an alarm is present.

Description	Location
Alarm Contact	3620 JP1-1
Alarm Contact	3620 JP1-2

7 Communication Services

The E-Sampler can be controlled remotely by use the following command set.

Each command and response string begins with an Esc character (27, 0x1B) and is terminated with a carriage return (13, 0x0D) and a line feed character (10, 0x0A).

An ASCII check sum follows each response (X9999).

Hardware protocol is RS-232, 8, N, 1. The Baud rate is selectable through the user interface. The range is 300 to 38400.

7.1 Commands

The E-Sampler supports 5 data files—the EEPROM file (E), the Channel Descriptor file (1), the AutoMet data log file (2), the Alarm log file (3), and the One-Minute data log file (4).

The lowercase x of a command specifies the file to operate on. Valid values for x are shown in (x) above.

File modes can be linear (L) or circular (C).

All files are record based. Record sizes and formats are described above.

Function	Command	Response
Read Model and Version	RV	RV E-SAMPLER V1.23
Read File Info (FCB)	RFI	RFI Then print the FCB.
Read record index.	RFx R	RFx R n L RFx R n C
Read data file starting with absolute record index or the last (-n) records from the current record index.	RFx D n RFx D -n	RFx D n Then XMODEM file transfer
Print File Report starting with absolute record index or the last (-n) records from the current record index.	PFx n PFx -n	PFx n Then print the report.
Stop printing report.	PFS	PFS
Print span filter report.	PSF	PSF
Clear File Data (x: 2, 3, 4)	WFx C	WFx C
Read Date (mm-dd-yy)	RD	RD 05-10-01
Write Date (mm-dd-yy)	WD 05-10-01	WD 05-10-01
Read Time (HH:mm:ss)	RT	RT 09:08:02
Write Time (HH:mm:ss)	WT 09:08:02	WT 09:08:02

7.2 AutoMet Compatible Commands

These commands are need to be compatible with MicroMet Plus Windows software. They retrieve file 2.

Command	Description
<CR>	After three carriage returns enable AutoMet commands.
9	Display AutoMet data pointers (File 2).
p	Modify modem data pointer.
b	Begin XMODEM download of AutoMet data records (File 2).
c	Clear AutoMet logger memory (File 2) with password.
d	Set date with password.
t	Set time with password.
?	Unit model and firmware version.

8 Operational Rules

The E-Sampler operational rules are articulated below.

8.1 Turn ON Event

The Turn ON event causes the follow state sequences.

- Turn off the span calibrator
- Reverse the air pump to purge the chamber with clean air.
- Switch the MD engine to the 500 ug/m³ range
- Wait 45 seconds for the analog concentration output to stabilize
- Sample for 15 seconds and calculate and store the mean zero value
- Switch the MD engine to the 1000 ug/m³ range
- Wait 45 seconds for the analog concentration output to stabilize
- Sample for 15 seconds and calculate and store the mean zero value
- Switch the MD engine to the 10,000 ug/m³ range
- Wait 45 seconds for the analog concentration output to stabilize
- Sample for 15 seconds and calculate and store the mean zero value
- Switch the MD engine to the 100,000 ug/m³ range
- Wait 45 seconds for the analog concentration output to stabilize
- Sample for 15 seconds and calculate and store the mean zero value
- Switch the MD engine to the 1,000 ug/m³ range
- Turn on the span calibrator.
- Wait 45 seconds for the analog concentration output to stabilize
- Sample for 15 seconds and calculate and store the mean span value
- Switch the MD engine to the user concentration range setting
- Turn off the span calibrator
- Set the air pump forward to draw outside air into the chamber
- Wait 30 seconds for the air pump to stabilize
- Start sampling

8.2 Zero Event

A zero event determines the zero output value of the MD concentration sensor.

A zero event can be initiated two ways—AUTO or MANUAL. The method is set from the SETUP:ZERO MODE screen.

The Zero event causes the follow state sequences:

- Turn off the span calibrator
- Reverse the air pump to purge the chamber with clean air.
- Wait 45 seconds for the analog concentration output to stabilize
- Sample for 15 seconds and calculate and store the mean zero value
- Set the air pump forward to draw outside air into the chamber
- Wait 30 seconds for the air pump to stabilize
- Start sampling

8.2.1 Auto Zero Event

When set to AUTO mode a zero event occurs periodically at the period set from the SETUP:ZERO MODE screen.

8.2.2 Manual Zero Event

When set to MANUAL mode the user can initiate a zero event from the operate screen.

The MANUAL mode command is only available when the unit is on and sampling.

8.3 Span Event

A span event determines the span output value of the MD concentration sensor.

A span event can be initiated two ways—AUTO or MANUAL. The method is set from the SETUP:SPAN MODE screen.

The Span event causes the follow state sequences:

- Switch the MD engine to the 1,000 ug/m3 range
- Turn on the span calibrator.
- Wait 45 seconds for the analog concentration output to stabilize
- Sample for 15 seconds and calculate and store the mean span value
- Switch the MD engine to the user concentration range setting
- Turn off the span calibrator
- Set the air pump forward to draw outside air into the chamber
- Wait 30 seconds for the air pump to stabilize

- Start sampling

8.3.1 Auto Span Event

When set to AUTO mode a span event occurs periodically at the period set from the SETUP:SPAN MODE screen.

8.3.2 Manual Span Event

When set to MANUAL mode the user can initiate a span event from the operate screen.

The MANUAL mode command is only available when the unit is on and sampling.

8.4 LCD Display Control

The LCD display is cleared and the backlight is turned off when there have been no key presses for the last 30 minutes.

8.5 RH Control

Turning an inlet heater on and off controls the inlet RH to the chamber.

The inlet heater is connected to the 3610 J10 connector.

The RH set point is set from the SETUP:RH CONTROL screen.

RH control occurs when the air pump is running in the forward direction (drawing air into the MD engine).

The heater is on when the RH is less than the RH set point.

The heater is off when the RH is less than the RH set point minus 1%.

The heater is off when the pump is off or purging the chamber.

8.6 Volumetric Flow Equation

$$\text{Flow} = (273.15 + AT) / 273.15 * 101325.0 / BP * MF * \text{Slope} + \text{Offset}$$

Item	Description	Sensor Location
AT	Ambient temperature (C)	3610 J18
BP	Barometric Pressure (Pa)	3610 PX1
MF	Mass Flow (SLPM)	3610 J16
Slope	Calibration correction factor determined by the CALIBRATE FLOW screen.	
Offset	Calibration correction factor determined by the CALIBRATE FLOW screen.	

8.7 Volumetric Flow Control

The volumetric flow controller is a set point controller. It is active when the pump is commanded to pull outside air into the chamber. The pump is controlled by a Pulse Width Modulator circuit (PWM). The control equation is:

$$\text{error (LPM)} = \text{set point} - \text{volumetric flow}$$

$$\text{PWM} = \text{error} * \text{gain} + \text{PWM}$$

The initial PWM value is 1000.

The gain is equal to set 100.

8.8 Concentration Equation

$$\text{Conc} = (\text{Raw Conc} - \text{Zero}) * \text{Factory Span Ref} / \text{Field Span} * \text{K-Factor} / \text{Temp Comp}$$

Item	Description
Raw Conc	The raw concentration is the output (3610 J12-5) of the MD engine. It has four (4) full-scale ranges: 0.5, 1.0 10.0 and 100.0 mg/m3. The range setting is controlled by 3610 U13 P2.6 and P2.7.
Zero	The Zero value is determined by the outcome of the Zero event.
Factory Span Ref	The Factory Span Reference is determined from the Factory Span screen.
Field Span	The Field Span reading is the mean of the past 24 span sample events.
K-Factor	A user settable parameter from the SETUP:CONCENTRATION screen.
Temp Comp	A scale factor relative to the temperature.

8.8.1 Temperature Compensation Equation

$$\text{Temp Comp} = \text{MD Temperature} * \text{Slope} - \text{Offset}$$

The typical range of this equation is 1.0 +/- 0.2.

Item	Description
MD Temperature	This is the MD engine electronics temperature sensor output (3610 J12-8, 3610 U13 P6.6) in A/D counts.
Slope	The value is determined by the factory temperature test. It is set from the Temp Correct Params screen.
Offset	The value is determined by the factory temperature test. It is set from the Temp Correct Params screen.

8.9 Data Logger

The data logger is an AutoMet type compatible. Data is stored periodically. The period rate is set from the SETUP: AVERAGE PERIOD screen.

8.10 Alarm Events

The following alarm events are supported. When an event occurs it is logged in the alarm log. The alarm log is viewed from the ALARM LOG or retrieved thru communication services. Some of them control the alarm contact.

Item	Description	Alarm Contact
POWER OUTAGE	Occurs on every power up.	N
INTERNAL COMM DOWN!	Occurs when the SPI communication link between the 3210 and 3610 boards have failed. The alarm is cleared when the communication link is re-established.	Y
ZERO CALIBRATE ERROR	Occurs when the zero event measures a MD engine output less than an alarm limit. There is a limit for each range. The alarm is cleared when the next zero event does not fail.	Y
SPAN CALIBRATE ERROR	Occurs when the span event measures a MD engine output greater than +/- 10% of factory span reference. The alarm is cleared when the next span event does not fail.	Y
FLOW FAILED	Occurs when the flow controller error has been greater than 5% of set point for 5 minutes. The alarm is cleared when flow controller error is less than 5% of set point.	Y
BATTERY WARNING	Occurs when the battery level is less than 11.2 volts. The alarm is cleared when the battery level is greater than 11.7 volts.	N
BATTERY FAILED	Occurs when the battery level is less than 10.5 volts. The alarm is cleared when the battery level is greater than the battery warning level.	Y

9 Appendix A - How to convert from Standard flow to Actual flow

Any volumetric flow can be found from a standard flow using the Ideal Gas law. The Ideal Gas Law in this situation is really a ratio of the temperature and pressure at referenced conditions (760 mmHg, 25°C EPA STD Conditions) versus Actual conditions of temperature and pressure.

DEFINITIONS

- Q_x = Volumetric flow at Actual conditions of pressure and temperature
- Q_s = Volumetric flow at standard conditions of 760 mmHg (1 atm) and 25°C (298.13 K)
- T_x = Temperature at Actual conditions in Kelvin (K)
- T_s = Temperature at standard conditions in Kelvin (K)
- P_x = Pressure at Actual conditions in Kelvin (K)
- P_s = Pressure at standard conditions in Kelvin (K)
- n = Number of moles of gas
- R = Gas constant .0821 (liters atm/mole K) or 82.1 (cm atm/mole K)
- m = Mass in grams (g)
- m_{dot} = Mass Flow (g/min)

The conservation of mass tells us that if mass flow is held constant over temperature and pressure, then the following is true:

$$m_{\text{dot}S} = m_{\text{dot}X}$$

Where:

m_{dot}S - mass flow, at standard conditions

m_{dot}X - mass flow at actual conditions of temperature and pressure.

Using this relation and the Ideal Gas Law Yields the following equation:

$$\frac{mP_x}{nRT_x} \cdot Q_x = \frac{mP_s}{nRT_s} \cdot Q_s$$

Solving for Q_x gives the following equation:

$$Q_x = Q_s \cdot \frac{P_s}{P_x} \cdot \frac{T_x}{T_s}$$

Example:

- Q_s = 16.7 LPM
- P_s = 760 mmHg
- T_s = 298.13 K
- P_x = 710 mmHg

$$T_x = 303 \text{ K}$$

$$Q_x = 16.7 \text{ LPM} \cdot \frac{760 \text{ mmhg}}{710 \text{ mmhg}} \cdot \frac{303 \text{ K}}{298.13 \text{ K}}$$

$$\text{Answer: } Q_x = 18.16 \text{ LPM}$$