

Power Zone New Zealand Ltd,
P.O. Box 55,
Waitati,
Dunedin.
Mob: 022 059 3478
email: nigel@powerzone.net.nz

These are only a part of our products in this guide catalogue, if you need more information, please contact us; Because of rapid product technology innovation the products in this guide should be based on practical products or user manual, if any changes, please forgive us not to inform separately.

CATALOGUE OF ELECTRICAL PRODUCTS





Innovative technology leads to better future.
professional working makes excellent quality.





CB



NEMKO

CE



SONCAP SASO ISO9001

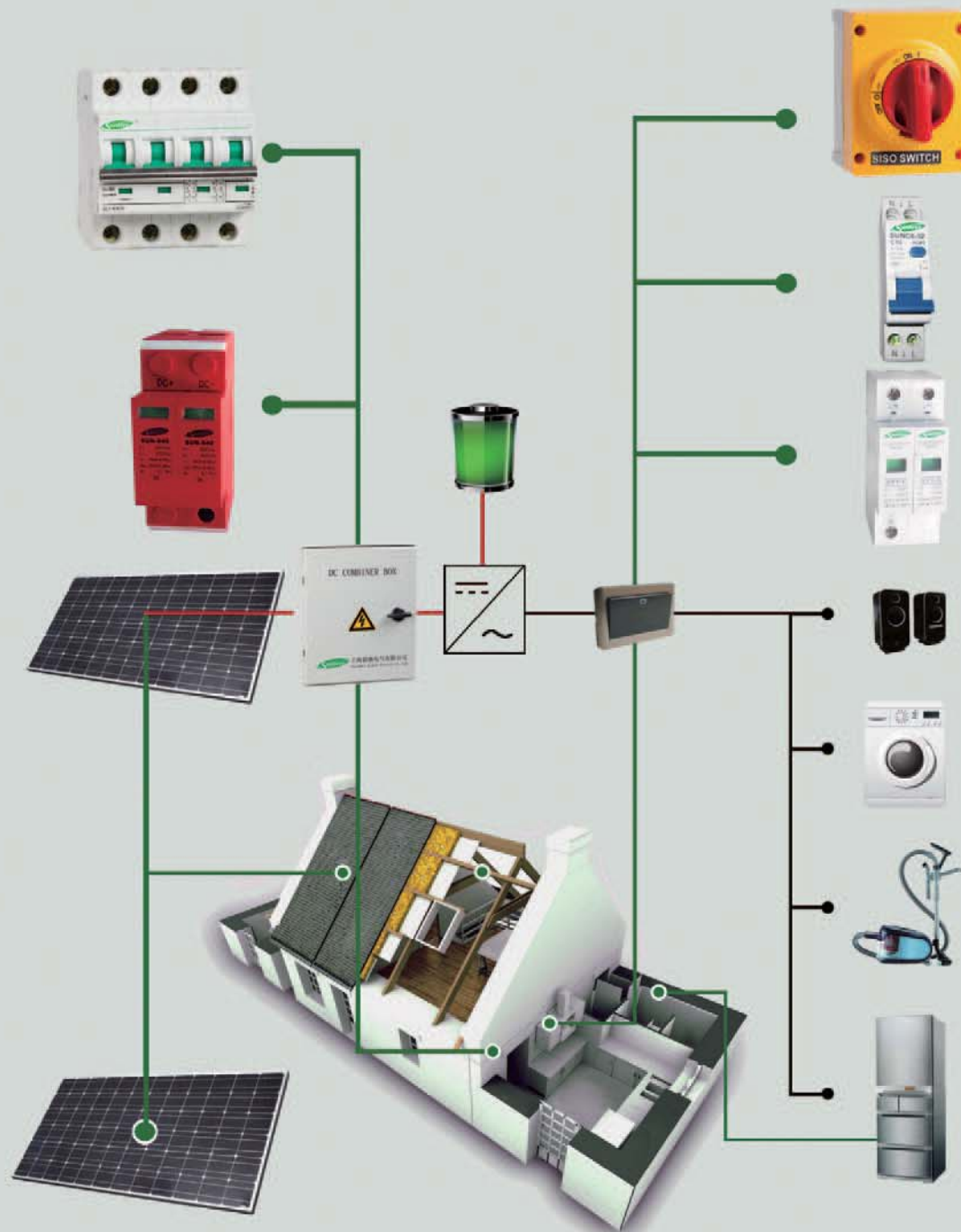
Contents

■ PV System Specific Components	00
SL7 Polarity DC circuit breaker	01-02
SL7 Non-polarity DC circuit breaker(New type)	03-04
SSPD Series Surge Protector	05
SGR Series DC Fuse	06
SISO Switch	07-08
SMC4 Solar Connector	09
SMC3 Solar Connector	10
Twins Core PV Cable	11
Single Core PV Cable	12
SMC3Y/SMC4Y Solar Connector	13
PV Cable Assembly	14
PVBX DC combiner box	15-16
IP66 Distribution Enclosures	17
Electrical Accessories	18
■ Single mould RCD(AUS)	19
■ Moulded Case And Earth Leakage Circuit Breaker(Southeast Asia)	21
■ Indo circuit breaker	23
■ Portable Power Distribution Board	25-28
■ Wall Mounted Power Boards	29-31
■ Waterproof Industrial Switchgear Series	33-44

CONTENTS

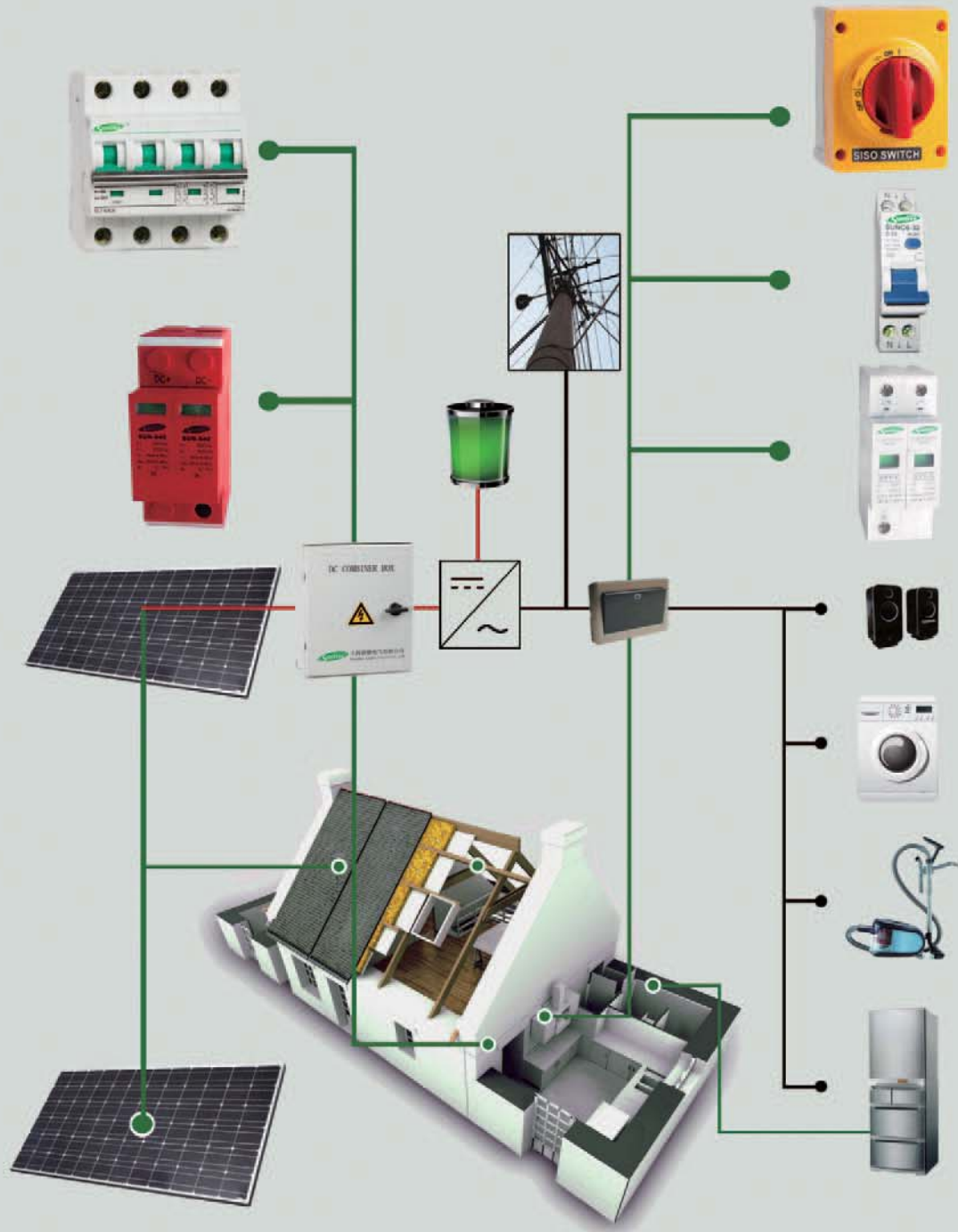
photovoltaic application in domestic house

■ house in off-grid system



photovoltaic application in domestic house

■ house in grid-connected system





PV SYSTEM SPECIFIC COMPONENTS

IEC60947-2

IEC60898-2

SL7 Polarity DC circuit breaker

SL7 PV DC breaker supplementary protectors are designed to provide overcurrent protection within appliances or electrical equipment, where a branch circuit protection is already provided or not required. Devices are designed for direct current (DC) control circuit applications.



Specifications

SL7 PV Series Circuit Breaker		SL7-63			
Frame degree rated current (A)		63			
Electrical performance					
Ue Rated operating voltage (V DC)		AC250V AC415V DC440V DC550V DC800V DC1000V			
Rated Current In (A)		6-10-16-20-25-32-40-50-63			
Rated insulation voltage Ui (V DC)		1000V			
Rated Impact voltage Uimp (kV)		4			
Ultimate breaking capacity Icu (kA)		6	6	6	6
Run breaking capacity Ics (%Icu)		75%	75%	75%	75%
Curve type		C			
Trip type		Thermal-magnetic			
MECHANICAL	Actual average value	20000			
	Standard value	8500			
ELECTRIC	Actual average value	2500			
	Standard value	1500			
Control and indication					
Shunt release (SHT)					
Undervoltage release (UNT)					
Auxiliary contact (AX)		Option			
Alarm contact (AL)					
Connection and installation					
Wiring capacity (mm ²)		In ≤ 32A, I ~ 25 mm ² , I ≥ 40A, I ~ 35mm ²			
Ambient temperature (°C)		-20~70			
Altitude		≤ 2000			
Relative humidity		≤ 95%			
Pollution Level		3			
Installation Environment		No obvious shock and vibration			
Installation category		Class III			
Installation		DIN Standard rail			
Dimensions(W)x(H)x(Deep)	W	17.5	35	52.5	70
	H	80	80	80	80
	Deep	71	71	71	71
Weight (kg)		0.12	0.24	0.36	0.48

SL7 Polarity DC circuit breaker

SL7 PV DC breaker supplementary protectors are designed to provide overcurrent protection within appliances or electrical equipment, where a branch circuit protection is already provided or not required. Devices are designed for direct current (DC) control circuit applications.



Specifications

SL7 PV Series Circuit Breaker		SL7-63			
Frame degree rated current (A)		63			
Electrical performance					
Ue Rated operating voltage (V DC)		AC250V AC415V DC440V DC550V DC800V DC1000V			
Rated Current In (A)		6-10-16-20-25-32-40-50-63			
Rated insulation voltage Ui (V DC)		1000V			
Rated Impact voltage Uimp (kV)		4			
Ultimate breaking capacity Icu (kA)		6	6	6	6
Run breaking capacity Ics (%Icu)		75%	75%	75%	75%
Curve type		C			
Trip type		Thermal-magnetic			
MECHANICAL	Actual average value	20000			
	Standard value	8500			
ELECTRIC	Actual average value	2500			
	Standard value	1500			
Control and indication					
Shunt release (SHT)					
Undervoltage release (UNT)					
Auxiliary contact (AX)		Option			
Alarm contact (AL)					
Connection and installation					
Wiring capacity (mm ²)		In ≤ 32A, I ~ 25 mm ² , I ≥ 40A, I ~ 35mm ²			
Ambient temperature (°C)		-20~70			
Altitude		≤ 2000			
Relative humidity		≤ 95%			
Pollution Level		3			
Installation Environment		No obvious shock and vibration			
Installation category		Class III			
Installation		DIN Standard rail			
Dimensions(W)x(H)x(Deep)	W	17.5	35	52.5	70
	H	80	80	80	80
	Deep	71	71	71	71
Weight (kg)		0.12	0.24	0.36	0.48

SL7 Non-polarity DC circuit breaker (New type)

SL7 PV NP DC breaker supplementary protectors are designed to provide overcurrent protection within appliances or electrical equipment, where a branch circuit protection is already provided or not required. Devices are designed for direct current (DC) control circuit applications.



Specifications

SL7 PV Series Circuit Breaker		SL7-63			
Frame degree rated current (A)		63			
Electrical performance					
Ue Rated operating voltage (V DC)		AC250V AC415V DC440V DC550V DC800V DC1000V			
Rated Current In (A)		6-10-16-20-25-32-40-50-63			
Rated insulation voltage Ui (V DC)		1000V			
Rated Impact voltage Uimp (kV)		4			
Ultimate breaking capacity Icu (kA)		6	6	6	6
Run breaking capacity Ics (%Icu)		75%	75%	75%	75%
Curve type		C			
Trip type		Thermal-magnetic			
MECHANICAL	Actual average value	20000			
	Standard value	8500			
ELECTRIC	Actual average value	2500			
	Standard value	1500			
Control and indication					
Shunt release (SHT)					
Undervoltage release (UNT)					
Auxiliary contact (AX)		Option			
Alarm contact (AL)					
Connection and installation					
Wiring capacity (mm ²)		In ≤ 32A, I ~ 25 mm ² , I ≥ 40A, I ~ 35mm ²			
Ambient temperature (°C)		-20~70			
Altitude		≤ 2000			
Relative humidity		≤ 95%			
Pollution Level		3			
Installation Environment		No obvious shock and vibration			
Installation category		Class III			
Installation		DIN Standard rail			
Dimensions(W)x(H)x(Deep)	W	17.5	35	52.5	70
	H	80	80	80	80
	Deep	71	71	71	71
Weight (kg)		0.12	0.24	0.36	0.48

SL7 Non-polarity DC circuit breaker (New type)

SL7 PV NP DC breaker supplementary protectors are designed to provide overcurrent protection within appliances or electrical equipment, where a branch circuit protection is already provided or not required. Devices are designed for direct current (DC) control circuit applications.

Specifications



SL7 PV Series Circuit Breaker		SL7-63			
Frame degree rated current (A)		63			
Electrical performance					
Ue Rated operating voltage (V DC)		AC250V AC415V DC440V DC550V DC800V DC1000V			
Rated Current In (A)		6-10-16-20-25-32-40-50-63			
Rated insulation voltage Ui (V DC)		1000V			
Rated Impact voltage Uimp (kV)		4			
Ultimate breaking capacity Icu (kA)		6	6	6	6
Run breaking capacity Ics (%Icu)		75%	75%	75%	75%
Curve type		C			
Trip type		Thermal-magnetic			
MECHANICAL	Actual average value	20000			
	Standard value	8500			
ELECTRIC	Actual average value	2500			
	Standard value	1500			
Control and indication					
Shunt release (SHT)		Option			
Undervoltage release (UNT)					
Auxiliary contact (AX)					
Alarm contact (AL)					
Connection and installation					
Wiring capacity (mm ²)		In ≤ 32A, I ~ 25 mm ² , I ≥ 40A, I ~ 35mm ²			
Ambient temperature (°C)		-20~70			
Altitude		≤ 2000			
Relative humidity		≤ 95%			
Pollution Level		3			
Installation Environment		No obvious shock and vibration			
Installation category		Class III			
Installation		DIN Standard rail			
Dimensions(W)x(H)x(Deep)	W	17.5	35	52.5	70
	H	80	80	80	80
	Deep	71	71	71	71
Weight (kg)		0.12	0.24	0.36	0.48

SSPD Series Surge Protector

SSPD surge protective device, protect against lightning surge voltages in solar system (photovoltaic power supply system).

These units must be installed in parallel on the DC networks to be protected and provide common and different modes protection. Its installed location are recommended at both ends of the DC power supply line (solar panel side and inverter/converter side), especially if the line routing is external and long.

High energy MOVs equipped with specific thermal disconnectors and related failure indicators.



Specifications

SSPD series surge protector		SSPD	
PV DC-specific (LEC 66143-I/EN 61643-II)			
Pole		2P	3P
Electrical Parameter			
Classified test		II	II
Uoc max (V DC)		500	1000
Uc (V DC)		500	1000
In(8/20)us (kA)		20	20
Imax(8/20)us (kA)		40	40
Up (kV)		2.0	3.8
Remote control and indication			
Indication window			
Plug-in Module			
Remote signal contact			
Remote signal contact	maximum working voltage(V)	250 AC/30V DC	250AC/30V DC
	maximum working current (A) 1A(250V/ AC)	1A(250V/ AC)	1A(250V/ AC)
	1A (30V DC)	1A(30V/ AC)	1A(30V/ AC)
Wiring & installation			
Wiring capacity(mm ²)	Hard wire	4~25	4~25
	Flexible wire	4~16	4~16
Stripping length(mm)		10	10
Terminal screw		M5	M5
Torque(Nm)	Main circuit	3.5	3.5
	Remote signal contact	0.25	0.25
Protection class	All profile	IP40	IP40
	Connection port	IP20	IP20
Installation environment		No obvious shock and vibration	
Altitude (m)		≤ 2000	≤ 2000
Working Temperature		-3.0~+70	-3.0~+70
Relative humidity		30%~90%	30%~90%
How to Install		Installed with H35-7.5/DIN35 steel mounting rail	
Size(mm)(WxHxL)	W	36	54
	H	90	90
	L	67.6	67.6
Weight (kg)		0.24	0.36

SISO Switch

Suntree offers a comprehensive range of isolating switches designed with safety in mind. In stand-alone and enclosed formats, this switch range are padlockable and available in yellow/red or grey/black making it ideal for any electrical isolation requirement, such as repair, maintenance installation and inspection.



Catalogue number construction

SISO	3	25	P	Y
"Safety isolating switch"	"NO. of poles 3=3 pole 4=4 pole"	"Operational current rating 25A 32A"	"Switch type P-Polycarbonate R-Rotary with handle"	"Colour Y-Yellow/Red G-Grey/Black"

- Compact and suitable where space is limited
- DIN rail mounting for easy installation
- Load-breaking up to 8 times rated current making it ideal for motor isolation
- Double-break with silver rivets-superior performance, reliability and long lasting
- Highly visible red/yellow handle

SISO Switch

Safety isolating switches
Polycarbonate enclosed rotary switches

- Large padlockable red/yellow or grey/black handles
- Comprehensive range, 16 to 32A modules
- High IP 65 rating
- High breaking capacity with 12.5 mm contact air gap
- Easy to install and operate
- Easy snap-on fitting of auxiliary switches

Specifications

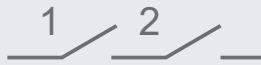
3/4 Pole SISO Switch					
Main contacts		Type	SISO-63		
Rated thermal current I _{th}		A	16	25	32
Rated insulation voltage U _i		V	1000	1000	1000
Rated operational current I _e DC21B					
2 pole in series	600V	A	16	25	32
	900V	A	29	45	50
2 pole in series + 2 poles parallel	600V	A	13	16	20
	1200V	A	9	11	13
3 poles in series	900V	A	16	25	32
	1000V	A	16	25	32
4 poles in series	600V	A	16	25	32
	1000V	A	16	25	32
	1200V	A	16	25	32
Rated operational current I _e DC22B					
2 poles in series	600V	A	5,5	6	6,5
	900V	A	2	2,5	3
	1200V	A	1	1,5	2

Specifications

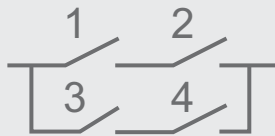
3/4Pole SISO Switch					
3 poles in series	600V	A	16	23	25
	900V	A	6,5	7	7,5
	1200V	A	5,5	6	6,5
4 poles in series	600V	A	16	25	27,5
	1000V	A	11,5	12	12,5
	1200V	A	8	9	10
Rated conditional short-circuit current		A	5	5	5
Mechanical life		x10	10	10	10
Rated short-time withstand current (I _s) I	2, 4 / 2+2H	A	800 / 1300	900 / 1500	1000 / 1700
Short circuit making capacity	I _{cm}		800 / 1300	900 / 1500	1000 / 1700

DIMENSIONS

2 pole in series



2 poles in series+ 2 poles parallel



3 poles in series



4 poles in series



SMC3 Solar Connector

Simple on-site processing.
 Accommodates PV cable with different insulation diameters.
 Mating safety provided by keyed housings.
 Multiple plugging and unplugging cycles.
 High current carrying capacity.
 TUV and UL approved.



Specifications

Order NO.	Part P/N		Cable special	
	Connector	Terminal	Conductor size (mm ²)	Cable OD (φ Dmm)
SMC3-CMMM-14	SMC3-CMMM-H	SMC3-CM-T14	AWG 14(2.5 mm ²)	φ 4.5- φ 6.5
SMC3-CMMM-12		SMC3-CM-T12	AWG 12(4.0 mm ²)	
SMC3-CMMM-10		SMC3-CM-T10	AWG 10(6.0 mm ²)	
Order NO.	Part P/N		Cable special	
	Connector	Terminal	Conductor size (mm ²)	Cable OD (mm)
SMC3-CFPM-14	SMC3-CFPM-H	SMC3-CF-T14	AWG 14(2.5 mm ²)	φ 4.5- φ 6.5
SMC3-CFPM-12		SMC3-CF-T12	AWG 12(4.0 mm ²)	
SMC3-CFPM-10		SMC3-CF-T10	AWG 10(6.0 mm ²)	
Rated current	30A (2-6mm ²)			
Rated voltage	1000v DC			
Test voltage	6000V(50Hz, 1min)			
Overvoltage type/pollution degree	CAT III /2			
Contact resistant of plug connector	1 mΩ			
Contact material	Copper, Tin-plated			
Insulation material	PPO			
Degree of protection	IP2x/IP67			
Flame class	UL94-VO			
Safety class	II			
Suitable cable	OD 4.5-6.5 (2.5-6.0 mm ²)			
Insertion force/withdrawal force	≤ 50N/ ≥ 50N			
Connecting system	Crimp connection			
Temperature range	-40°C ~ +90°C			

Twins core PV Cable

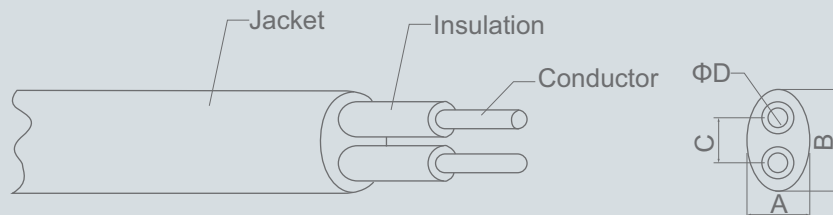
Dual wall insulation, electron beam cross-linked
 Excellent resistance to UV, water, ozone, fluids, salt, general weathering
 Excellent resistance to abrasion
 Halogen free, flame retardant, low toxicity
 Excellent flexibility and stripping performance
 High current carrying capacity
 TUV and UL approved



Specifications

Type	Cross section	Strand design	Conductor diameter	Conductor resistance	Outer diameter AxB	Rated voltage	Rated current
	mm ²	No. x ϕ (mm)	mm	Ω /km	mm	V AC/DC	A
PV-2x1.5 mm ²	1.5	30 x ϕ 0.25	1.6	13.9	5.80x9.30	1000/1800	20
PV-2x2.5 mm ²	2.5	50 x ϕ 0.25	2.0	8.06	6.20x9.90	1000/1800	30
PV-2x4.0 mm ²	4.0	56 x ϕ 0.3	2.6	4.97	6.9x11.30	1000/1800	50

Wire	Class 5, tinned
Insulation material	XLPE
Double insulated	
Halogen-free	
High resistance against oils, greases, oxygen and ozone	
Microbe-resistant	
UV resistant	
High wear and abrasion resistance	
Flam test according to	DIN EN 50265-2-1 ULI571(VW-1)
Smallest permissible bending radius	5XD
Temperature range	-40°C ~ +90°C
Colours	Black/red



Single core PV Cable

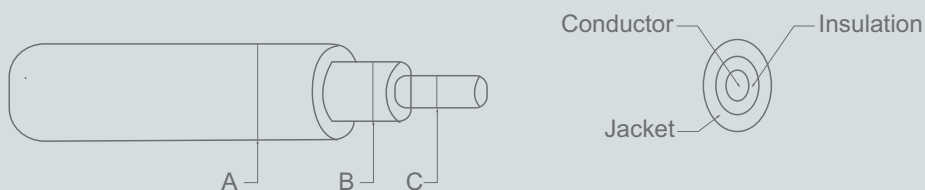
Dual wall insulation, electron beam cross-linked
 Excellent resistance to UV, water, ozone, fluids, salt, general weathering
 Excellent resistance to abrasion
 Halogen free, flame retardant, low toxicity
 Excellent flexibility and stripping performance
 High current carrying capacity
 TUV and UL approved



Specifications

Type	Cross section	Strand design	Conductor diameter	Conductor resistance	Outer diameter AxB	Rated voltage	Rated current
	mm ²	No. x ϕ (mm)	mm	Ω /km	mm	V AC/DC	A
PV-1x1.5 mm ²	1.5	30 x ϕ 0.25	1.6	13.9	4.5	1000/1800	20
PV-1x2.5 mm ²	2.5	50 x ϕ 0.25	2.0	8.06	5.3	1000/1800	30
PV-1x4.0 mm ²	4.0	56 x ϕ 0.3	2.6	4.97	6.4	1000/1800	50
PV-1x6.0 mm ²	6.0	84 x ϕ 0.3	3.3	3.52	7.2	1000/1800	70
PV-1x10.0 mm ²	10.0	200 x ϕ 0.25	4.4	2.12	8.3	1000/1800	95
PV-1x16.0 mm ²	16.0	224 x ϕ 0.3	5.2	1.95	9.5	1000/1800	140

Wire	Class 5, tinned
Insulation material	XLPE
Double insulated	
Halogen-free	
High resistance against oils, greases, oxygen and ozone	
Microbe-resistant	
UV resistant	
High wear and abrasion resistance	
Flam test according to	DIN EN 50265-2-1 ULI571 (VW-I)
Smallest permissible bending radius	5XD
Temperature range	-40°C ~ +90°C
Colours	Black/red



PV Cable Assembly

Examples of cable assemblies

Can be customized according to customer requirements

Extension line series



SMC3 TO SMC4



Panel Connector Series



COMPONENTS

The internal layout is shown below Figure 1; it composes of fuses, Copper Bus bars and the reserved space for lightning arrester. The combiner box is a pre-wired, wall or floor mounted electrical enclosure containing the following components:

- Fuse blocks- Dead front fuse holders
- Positive Bus Bar- Copper bar used to combine all positive inputs.
- Negative Bus Bar- Copper bar used to combine all negative inputs.
- Ground Bus Bar- Terminal used to combine individual array grounds to system ground.
- Plastic Shields- Plastic guards acting as a means of safety to prevent incidental contact with live parts
- Insulators- Plastic standoffs used to isolate the electricity between the bus bars and the backplane and enclosure.
- Mounting accessories- Hardware used to secure enclosure to wall or ground.



DIMENSIONS

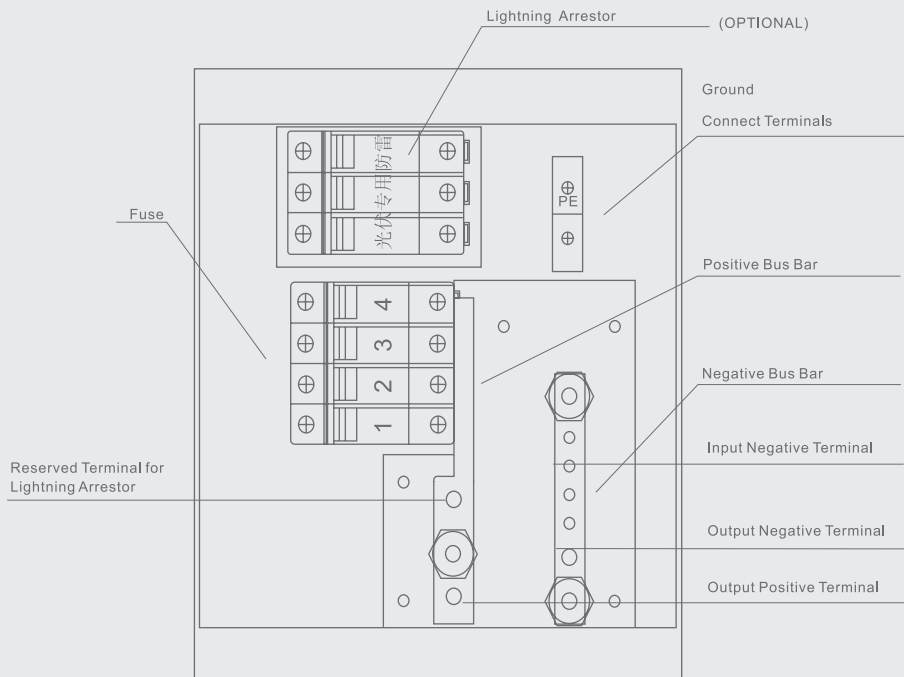


Figure 1

IP66 Distribution Enclosures

IP66 UV stabilised 4 way and 8 way weatherproof enclosures are an vitally important part of any solar installation, if you are using DC circuit breaker as isolation. For this reason we have worked hard to produce a very high quality IP66 4 way and 8 way enclosures. This enclosure meets all the required standards and has thus been classed as IP66.

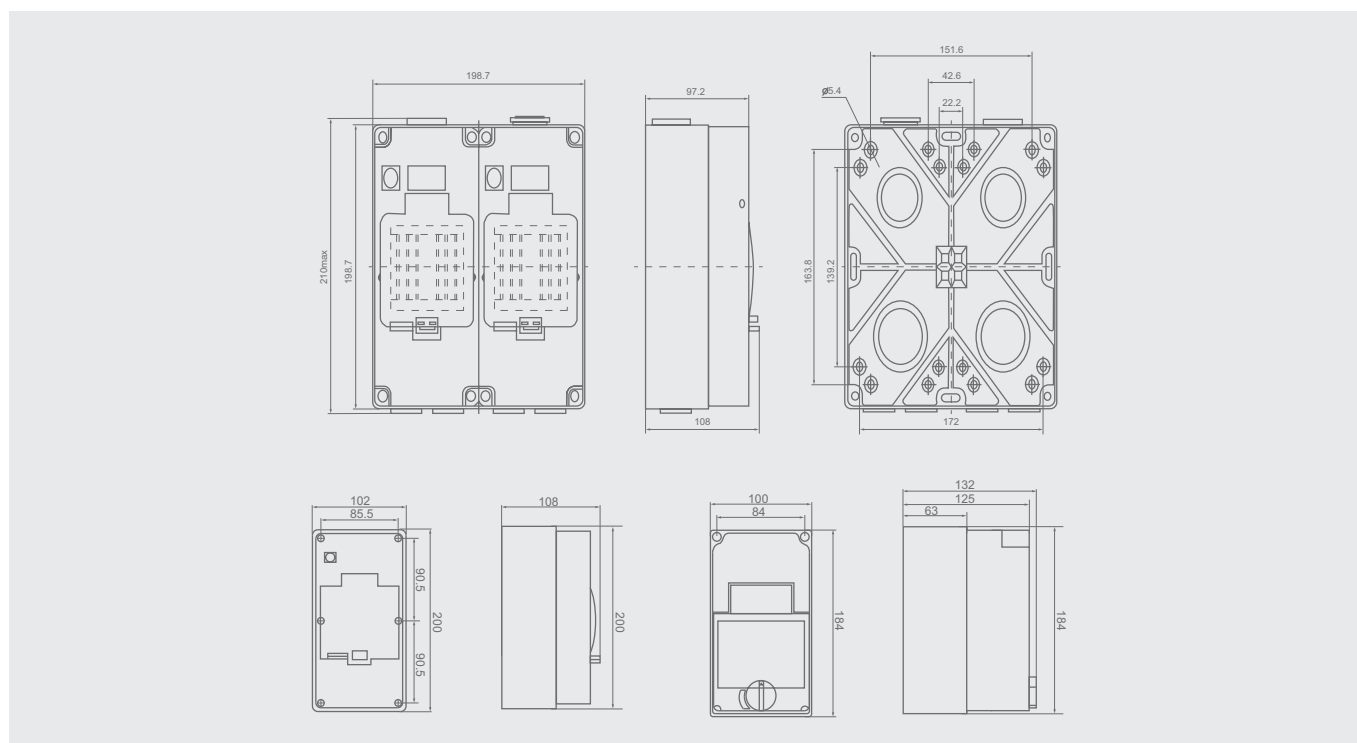
This IP66 4 way and 8 way enclosures are designed to house a range of DIN rail circuit breakers are complete with a spring loaded lockable lid. It also has top, bottom and rear cable entry.



Specifications

Catalogue Number	Module Type	NO. of Poles	Module Width
56CB1N	MCB	1	4
56CB2N	MCB	2	4
56CB3N	MCB	3	4
56CB4N	MCB	4	4
56CB5N	MCB	5	8
56CB6N	MCB	6	8
56CB7N	MCB	7	8
56CB8N	MCB	8	8

DIMENSIONS



Electrical Accessories

PG NYLON CABLE GLANDS

Threaded entry: PG (DIN Standard)

Material: made from UL Nylon66, 94V-2and tight ring fromrubber.

Feature:

Well designed for insulation, waterproofand impact resistant.

Not need to dismertrate the fixterminal, cable can be inserted

Protection: IP68

Application: machinery controlbox, distribution plate, machine,etc.



Specifications

Item No.	D1	D2	L1	L2	L3	B1	Cable range
PG-07	10.9	8.1	8.5	14.5	10.5	6.4	3.5-6
PG-09	15.3	12.2	9.9	15.8	17.2	8.6	4-8
PG-11	17.9	14.6	10.6	15.5	17.5	10.7	5-10
PG-13.5	20.2	16.2	10.3	17.8	17.9	13.3	6-12
PG-16	21.3	18.3	11.2	18.5	20.5	14.3	10-14
PG-19	24.7	20.5	11.4	18.6	21.8	15.5	12-15
PG-21	26.9	21.8	11.6	18.7	23.1	16.7	13-18
PG-24	29.8	25.0	12.1	28.3	24.1	19.2	15-22
PG-29	35.1	29.8	12.4	22.6	24.8	24.8	18-25
PG-36	44.7	37.1	12.6	25.1	26.10	30.7	22-32
PG-42	50.4	43.3	17.3	25.9	30.5	35.6	30-38
PG-48	56.1	48.2	20.9	28.1	31.5	41.4	34-44

M NYLON CABLE GLANDS(METRIC)

Threaded entry: metric

Material: partsA.C.E.Fare made of nylon 66 characterised

by high fireresistant with its flammability rating UL91V-2,parts band are made of EPDM neoprene.

Color: black and grey

Working Temperature: -40°C -100°C; short time 120°C

Protection: IP68

Installation: directly screw into hole of same the size or fix with the spare locknut, with cable through it inside hole, seal the sealing nut.



Specifications

Item no.	Threaded enty metric	Cable rang	Thread O.D.CI CI	PANEL mounting hole	Thread length c2	Sealing nut F	Lock nut A
M-12	M12 × 1.25	7.6-4.6	12	12.5	8.5	19	18
M-16	M16 × 1.5	10-6	16	16.5	15	22	22
M-20	M20 × 1.5	14-9	20	20.5	15	27	27
M-25	M25 × 1.5	18-13	25	25.5	15	33	33
M-32	M32 × 1.5	25-18	32	33	15	41	41
M-40	M40 × 1.5	30-24	40	41	20	50	50
M-50	M50 × 1.5	39-30	50	51	22	62	61
M-63	M63 × 1.5	48.5-40	63	64	25	75	75

SM3L-63 ADJUST FAMILY TYPE MOULDED CASE AND EARTH LEAKAGE CIRCUIT BREAKER



SM3L-63 Adjust Family Type Moulded Case And Earth Leakage Circuit Breaker

SM3L-63 Series RCCB is suitable for the circuit of AC 50HZ or 60HZ, rated working voltage 230V and rated current 60A and below, to make indirect contact protection to the human being and protect the circuit against over current, short circuit and surge protector in buildings or other similar locations as well. Best selling circuit breaker in Southeast Asia.



Model and implication:

S	M	3	L	60	G	Y
SUNTREE MCCB Brand	Designing number	Leakage function	Current grade	Over voltage Protection	Remote control function	

Specifications

a. Over voltage protection technical data

Choose shift position	Ino(mA)	In(mA)	Remark
5mA	4	8	Power on close circuit breaker, press TEST, circuit breaker working, when the power supply normal, then press function button, the LED on. when press DIRECT, the red light on, the products dont working.
10mA	8	12	
15mA	12	18	
30mA	18	30	

a. Over voltage protection technical data

Testing current	Rated current	Start state	Testing time	Testing result
20 25 32 40 50 60	1.13In	Hot state	≥ 1h	Non trip
	1.45In	Hot state	1h	Trip
	5In	Cold state	≥ 0.1s	Non trip
	10In	Cold state	0.1s	Trip

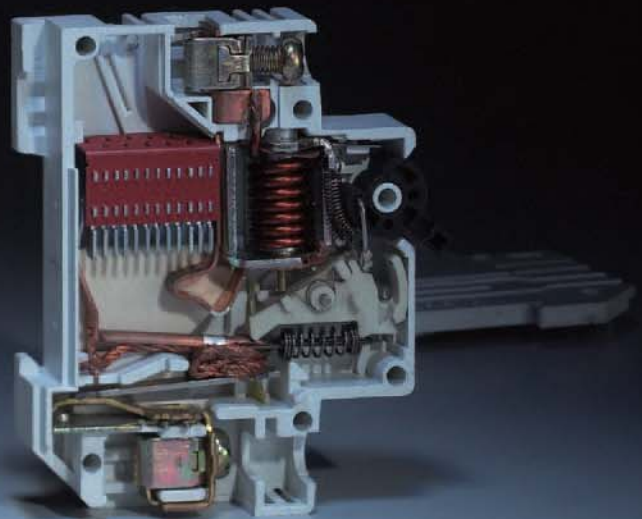
Attentions:

- When use it, should choose the right one, if not the products cant protect the circuit.
- TEST button should testing four times one month, checking the earth leakage function.
- When use it, should choose the right current, if not, the product dont have over current and short circuit protection functions.

INDO CIRCUIT BREAKER

IEC 60898-1:2003

IS8828:1996



Indo Circuit Breaker

SIS-63 is an all-new premium range of MCBs, RCCBs, distribution boards and isolators, this range covers the entire spectrum of electric supply chain right from distribution and protection to conservation, a unique blend of state-of-the-art technology along with innovation, SIS-63 unveils new possibilities in terms of circuit protection, good aesthetics, effortless installation and comfortable usage. A one-stop solution for final low voltage with standard and customized DB, SIS-63 is perfectly designed to fit the needs of different segments, right from residential and commercial buildings, industrial plant to OEM's. Like all of Indo Asian's products, Gold Plus will meet the standards of industry experts and deliver what it promises to all its users, and continue bringing joy through power.



Construction and Features

State-of-the-art design.

Elegant appearance; cover and handle in arc shape for comfortable operation

Contact position indicating window.

Mid-trip function for circuit fault indicating

In case of overload and short-circuit to protected circuit, mcb knob trips and stays at mid position, which enables a quick solution to the faulty line. The knob cannot stay in such position when operated manually.

High short-circuit capacity

High short-circuit capacity 10KA for whole range thanks to the powerful electric arc extinguishing system.

Long electrical endurance, more than 4000 cycles thanks to quick making mechanism

Knob padlock device.

Mcb knob can be locked either at "on" position or at "off" position to prevent unwanted operation of the product.

Specifications

Number of poles	1, 1P+N, 2, 3, 3P+N, 4
Rated voltage	ac 240/415v
Rated current(A)	1, 2, 3, 4, 5, 6, 10, 16, 20, 25, 32, 40, 50, 63
Tripping curve	B, C, D
Rated short-circuit capacity(I _{cn})	10000A
Rated service short-circuit braking capacity(I _{cs})	7500A
Rated frequency	50/60Hz
Energy limiting class	3
Rated impulse withstand voltage	4KV
Electro-mechanism endurance	4000
Connection terminal	Screw terminal
Connection capacity	rigid conductor up to 25 mm ²
Fastening torque	2.0Nm
Installation	On symmetrical DIN rail 35mm
Manufacture standard	IEC60898-1:2003/IS8828:1996

PORTABLE POWER DISTRIBUTION BOARD

WALL MOUNTED POWER BOARDS

Model NO:STW007

■ Dimension:

2x32A IP67 IEC Socket and MCB (RCBO)

2x16A IP67 IEC Socket and MCB (RCBO)



PORTABLE POWER DISTRIBUTION BOARD

Note: following is our standard Units and we can 100% Custom-made as per different requirement which can be used under different working condition

Model No:STL001

■ Dimension:400X400X570mm(H,W,D)

Side A

1X IEC 5P 63A IP67 plug and MCB(RCBO)
1X IEC 5P 63A IP67 socket and MCB(RCBO)

Side B

4X3P 15A IP66 Socket and RCBO
1X5P 32A IP66 Socket and switch and RCBO

Side C

2X5P 20A IP66 Socket and waterproof switch and MCBs(RCBO)
1X5P 32A IP66 Socket and waterproof switch

Side D

6X3P 15A Waterproof Socket and MCBS(RCBO)



Model No:STL002

■ Dimension:400X400X570mm(H,W,D)

Side A

1X IEC 5P 63A IP67 plug and MCB(RCBO)
1X IEC 5P 63A IP67 socket and MCB(RCBO)

Side B

6X3P 16A IP67 IEC Socket and RCBO

Side C

3X5P 32A IP67 IEC Socket and waterproof switch and MCBs(RCBO)

Side D

6X3P 16A IP67 IEC Socket and MCBS(RCBO)

Model No:STM001

■ Dimension:400X400X460mm(H,W,D)

Side A

1 × IEC 5P 32A IP67 plug and MCB(RCBO)

1 × IEC 5P 32A IP67 socket and MCB(RCBO)

Side B

6 × 3P 16A IP67 IEC Socket and RCBO

Side C

3 × 5P 32A IP67 IEC Socket and MCBs(RCBO)

Side D

6 × 3P 16A IP67 IEC Socket and MCBs(RCBO)



Model No:STM002

■ Dimension:400 × 400 × 460mm(H,W,D)

Side A

1 × IEC 5P 32A IP44 plug and MCB (RCBO)

1 × IEC 5P 32A IP44 Socket and MCB (RCBO)

Side B

6 × 3P 16A IP44 Socket and MCB (RCBO)

Side C

3 × 5P 32A IP44 IEC Socket and MCBs (RCBO)

Side D

6 × 3P 16A IP44 IEC Socket and MCBs (RCBO)



Model No:STM003

■ Dimension:400 × 400 × 460mm(H,W,D)

Side A

1 × 5P 32A IP66 plug and switch MCB (RCBO)

Side B

6 × 15A IP66 Socket and MCB (RCBO)

Side C

1 × 5P 32A IP66 Socket and waterproof switch and MCB (RCBO)

Side D

2 × 3P 15A IP66 Socket and RCBO

1 × 5P 32A IP66 Socket and switch and RCBO

1 × 5P 20A IP66 Socket and switch and RCBO



Model NO:STS001

■ Dimension:400x400x460mm(H,W,D,)

Side A

Enclosure complete with RCD/MCB 20Amp circuit breaker

1.8M leads

15A plug(IP66 waterproof)

Side B

6x250V 10A/15A outlets



Model No:STS002

■ Dimension:380x250x260mm(H,W,D,)

Side A

Enclosure complete with RCD/MCB 20Amp circuit breaker
1.8M leads
16A plug(IP67 waterproof)

Side B

6x16A outlets

Side C

1x32A 5P IEC Socket and MCB(RCBO)
Note:any length of the lead is available.



Model No:STS03

■ Dimension:380x250x260mm(H,W,D)

Side A

2x16A IEC socket and MCB (RCBO)

Side B

4x16A IEC socket

Side C

1x32A IEC socket

Note:any length of the lead is available.



Model No:STW001

2x32A IP66 Socket and MCB (RCBO)
2x20A IP66 Socket and MCB (RCBO)



Model No:STW002

2x32A IP66 Socket and MCB (RCBO)
2x20A IP66 Socket and MCB (RCBO)



Model No:STW003

2x15A IP66 Socket and MCB (RCBO)



Model No:STW004

2x32A IP67 IEC Socket and MCB (RCBO)
2x16A IP67 IEC Socket and MCB (RCBO)



Model No:STW005

2x32A IP44 IEC Socket and MCB (RCBO)
3x16A IP44 IEC Socket and MCB (RCBO)



Model No:STW006

1x16A IP44 IEC Socket and MCB (RCBO)
1x32A IP44 IEC Socket and MCB (RCBO)



Model No:STW008

2x16A IP67 IEC Socket and MCB (RCBO)



Model No:STW009

2x16A IP67 IEC Socket and MCB (RCBO)
2x32A IP67 IEC Socket and MCB (RCBO)



Model No:STW010

3x10A Wall switch and MCB (RCBO)
1x1.8M leads 1x10A IP66 plug



Model No:STW011

■ Dimension:290x160x530mm
2x32A IP44 IEC Socket and MCB (RCBO)
5x16A IP44 IEC Socket and MCB (RCBO)



Model No:STW012

■ Dimension:290x150x400mm
2x32A IP67 IEC Socket and MCB (RCBO)
3x16A IP67 IEC Socket



Model No:STW013

■ Dimension:290x150x400mm
6x16A IP44 IEC Socket and MCB (RCBO)



Model No:STG001

■ Dimension:290x160x530mm(H,W,D)

6x3P 15A waterproof socket
2x3P 16A CEE waterproof socket



Model No:STG002

■ Dimension:290x150x400mm

2x3P 15A waterproof socket
1x5P 32A waterproof socket and switch
1x1.8M lead and 5P 32A waterproof plug



Model No:STG003

■ Dimension:350x170x530mm

2x5P 32A waterproof socket and switch
1x5P 20A waterproof socket and switch
2x3P 15A waterproof socket



Model No:STG004

3x56SW
3xUKBI/32
3xCEE 5 Pins 32A
3xCEE 4 Pins 32A
Frequency:50Hz/60Hz
Volts:220-380/240-415V



Model No:STG005

3x56CB1-4N
3xUKBI/32
3xCEE 5 Pins 32A
Frequency:50Hz/60Hz
Volts:220-380/240-415V



Model No:STG006

3x56SW
6x56SO315



Model No:STG007

3x56SW
6x56SO532



WATERPROOF INDUSTRIAL SWITCHGEAR SERIES
AS/NZS3112 SINGLE AND THREE PHASE COMBO SWITCH & SOCKET



POWER CONNECTING EQUIPMENTS/EXTENSION LEADS

Model No:STE001

Metal outer sheath is connected to earth for added safety.
20 metre 2.5 mm cable.
10amp or 15amp clear moulded plug and socket.
insulated active and neutral plug., or fixed with IP56 plugs and connectors
LED Power on indicator.
Cable is highly fixed for easy use and longer life expectancy than a standard cable.
Approved to Australian/NZ standards.



Model No:STE002

Specification:50 amp or 32 amp plug and socket(any Amps are acceptable)on a 10mm 4core and earth 15m extension lead(any cable is acceptable),With full earth screen for added safety protection.

Note:all our extension leads can be 100% custom-made



WATERPROFF INDUSTRIAL SWITCHGEAR SERIES

The STF series of weatherproof isolation switches is a robust range of switches suitable for virtually any external application included in the range are single, double, triple and four poles switch from 20A to 80A, the base mounted mechanism provides for easier termination and more wiring room, switch dimensions are 165mmX 82mm, with an overall height of 85mm.



Specifications

Designation	Rating(Amps)	Cat.No	IP rating
Single pole	20A	STFI-20	IP66
	32A	STFI-32	
	45A	STFI-45	
	63A	STFI-63	
Double pole	20A	STFI-20	IP66
	32A	STFI-32	
	45A	STFI-45	
	63A	STFI-63	
Triple pole	20A	STFI-20	IP66
	32A	STFI-32	
	45A	STFI-45	
	63A	STFI-63	
Four pole	20A	STFI-20	IP66
	32A	STFI-32	
	45A	STFI-45	
	63A	STFI-63	

STWS SERIES

Description:

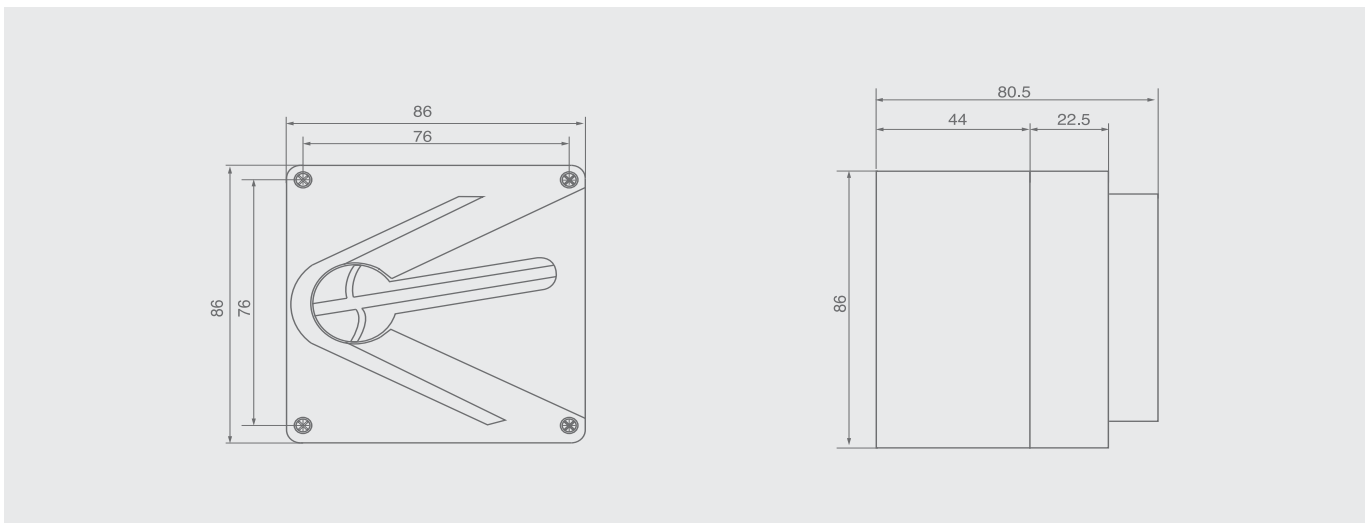
STWS is unique design enclosed isolator for in harsh condition where space is limited. Stylish look brings you a new concept of isolator switch



Specifications

Designation	Rating(Amps)	Description
STWSI 16	16A	One pole
STWSI 20	20A	

DIMENSIONS



56SW SURFACE SWITCHES

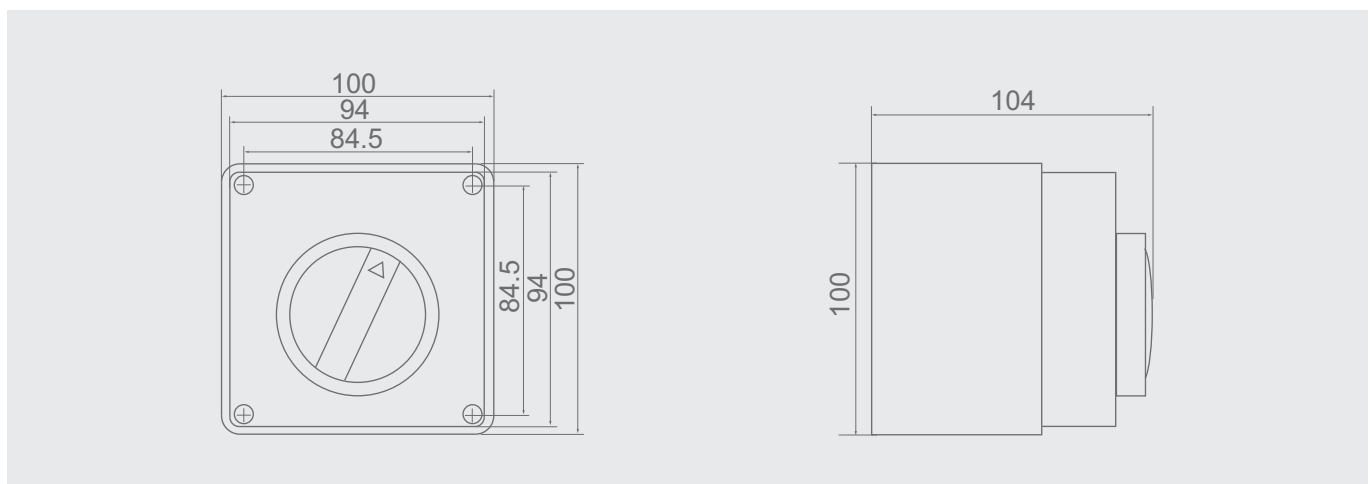
56SW series switches are available from 250V 10A to 500V 63A. They incorporate a positive, rotary action, ON-OFF action and clear marked Impact resistant construction and material suitable for harsh condition Raised ON-OFF lettering for clear and per-manent marking.



Specifications

Cat No	Rating(Amps)	Voltage(V)	Rated operational current le			No.of Swit Poles
			AC21A	AC22A	AC23A	
56SW110	10A	250	10	8	8	1
56SW110/2	10A/2 Way	250	10	8	8	1
56SW216	16A	250	10	10	10	2
56SW220	20A	250	20	20	20	2
56SW232	32A	250	32	32	20	2
56SW240	40A	250	40	40	25	2
56SW250	50A	250	50	50	25	2
56SW263	63A	250	63	63	25	2
56SW316	16A	500	10	10	10	3
56SW320	20A	500	20	20	20	3
56SW332	32A	500	32	32	20	3
56SW340	40A	500	40	40	25	3
56SW350	50A	500	50	50	25	3
56SW363	63A	500	63	63	25	3

DIMENSIONS



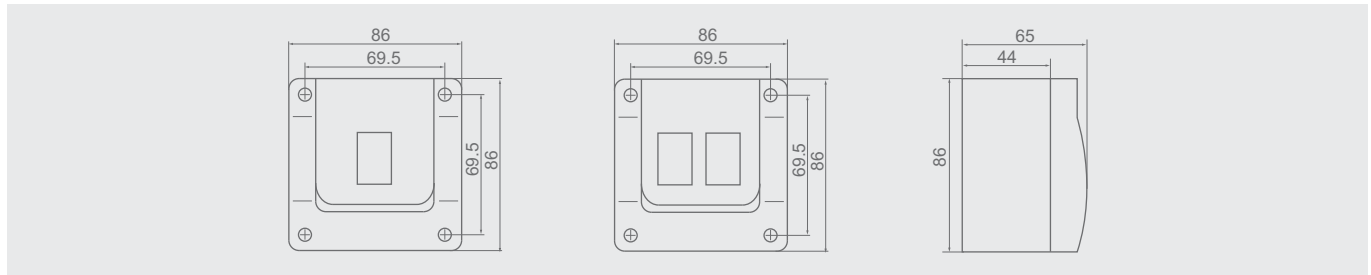
WATERPROOF INDUSTRIAL SWITCHGEAR SERIES

Description:
 STSS series is a impact resistant surface mounting switch, designed for general purpose application like outdoor lighting control, illumination sign etc.



Cat No	Rating(Amps)	No.of Gangs	IP Rating
STSS110	10A	1 Gang	switch
STSS115	15A	1 Gang	switch
STSS210	10A	2 Gang	switch
STSS215	15A	2 Gang	switch

DIMENSIONS



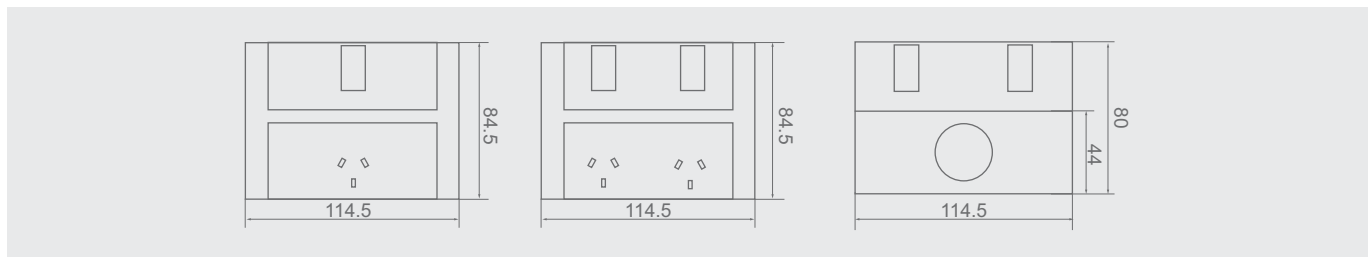
POWER POINT STSP

Description:
 STSP series is a impact resistant surface mounting switch, designed for general purpose application like outdoor lighting control, illumination sign etc.



Cat No	Rating(Amps)	No.of Gangs	IP Rating
STSP110	10A	1 Gang	switch
STSP115	15A	1 Gang	switch
STSP210	10A	2 Gang	switch
STSP215	15A	2 Gang	switch

DIMENSIONS



PHASE COMBO SWITCH & SOCKET

Three phase 3 round pin combo switch & socket

Description:

Three phase 3 round pin 250&500V 50Hz switched socket.IP66 rated

Available in standard grey or orange I0.20.32A

Voltage:250/500V

Code:56CV310/56CV 320/56CV315/56CV332

Three phase 4 round pin combo switch & socket

Description:

Three phase 4 round pin 500V 50Hz switched socket.IP66 rated

Available in standard grey or orange I0.20.32.40&50A

Voltage:500V

Code:56CV 410/56CV 420/56CV432/56CV 440/56CV450

Three phase 5 round pin extension switch & socket

Description:

Three phase 5 round pin cord 500V 50Hz switched socket.IP66 rated

Available in standard grey or orange I0.20.32.40&50A

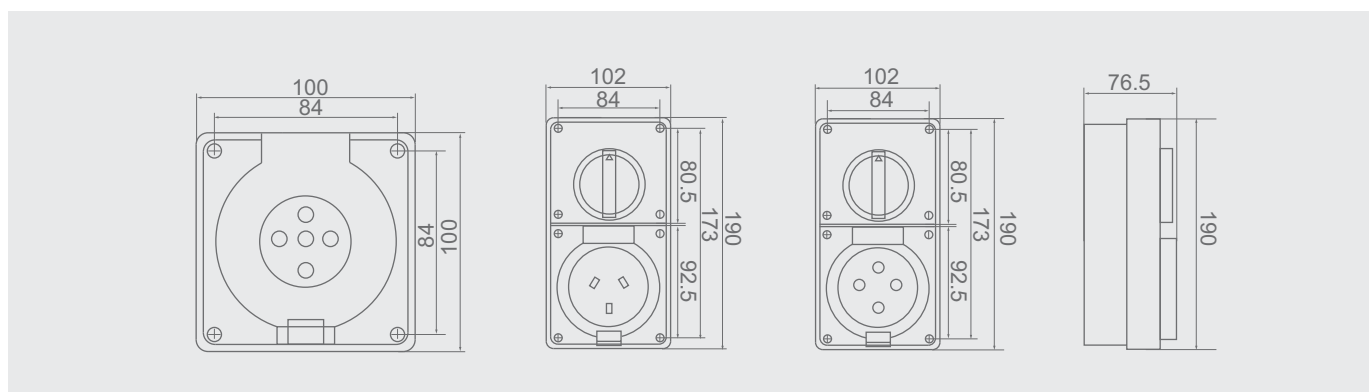
Voltage:500V

Code:56CV 510/56CV 520/56CV532/56CV540/56CV 550



Model No	Description	IP Degree
56CV310	3P 10A250V	IP66
56CV315	3P 15A250V	IP66
56CV320	3P 15A 250V/500V	IP66
56CV332	3P 32A 250V/500V	IP66
56CV410	4P 10A500V	IP66
56CV420	4P 20A500V	IP66
56CV432	4P 32A500V	IP66
56CV440	4P 40A500V	IP66
56CV450	4P 50A500V	IP66
56CV510	5P 10A500V	IP66
56CV520	5P 20A500V	IP66
56CV532	5P 32A500V	IP66
56CV550	5P 50A500V	IP66

DIMENSIONS



PIN EXTENSION SOCKET SERIES

Three phase 3 round pin extension socket

Description:

Three phase 3 round pin cord extension socket. IP66 rated

Available in 10.20.32A

3 pin voltage:250/500V

Code:56CSC 310/56CSC 320/56CSC315/56CSC332

Three phase 4 round pin extension socket

Description:

Three phase 4 round pin cord extension socket. IP66 rated

Available in 10.20.32.40&50A

Voltage:500V

Code:56CSC 410/56CSC 420/56CSC432/56CSC 440/56CSC 450

Three phase 5 round pin extension socket

Description:

Three phase 5 round pin cord extension socket. IP66 rated

Available in 10.20.32.40&50A

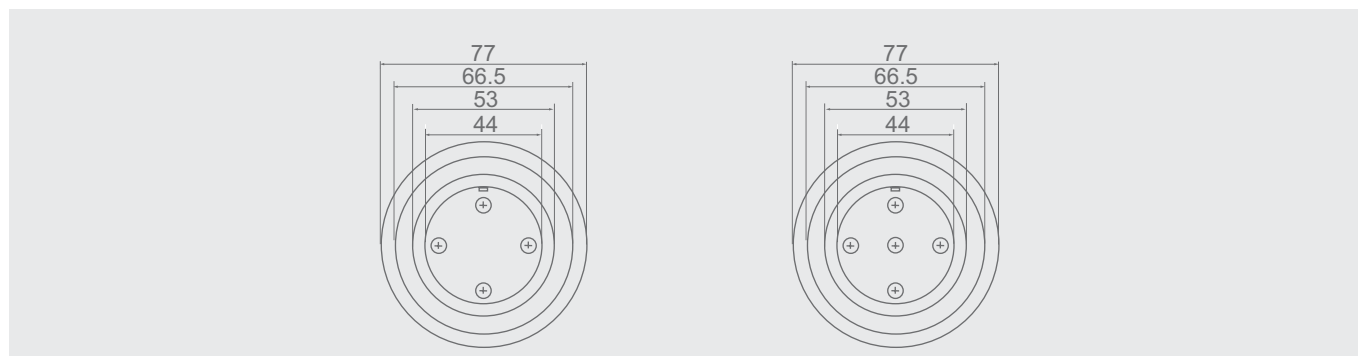
Voltage:500V

Code:56CSC 510/56CSC 520/56CSC532/56CSC540/56CSC 550



Model No	Description
56CSC310	3Pin 10A250V
56CSC315	3Pin 15A250V
56CSC320	3Pin 20A250V
56CSC332	3Pin 32A250V
56CSC410	4Pin 10A500V
56CSC420	4Pin 20A500V
56CSC432	4Pin 32A500V
56CSC440	4Pin 40A500V
56CSC450	4Pin 50A500V
56CSC510	5Pin 10A500V
56CSC520	5Pin 20A500V
56CSC532	5Pin 32A500V
56CSC540	5Pin 40A500V
56CSC550	5Pin 50A500V

DIMENSIONS



STRAIGHT PLUGS

Single phase plug-3 pin flat

Description:

Single phase 3 flat pin plug.IP66 rated

Available in 10A.13A.15A.20A.32A

Voltage:250/500V

Code:56P310/56P313/56P315/56P320/56P332

Three phase 4 round pin straight plug

Description:

Three phase 4 round pin straight plug.IP66 rated.

Available in 10A.20A.32A.40A.50A

Voltage:500V

Code:56P410/56P420/56P432/56P440/56P450

Three phase 5 round pin straight plug

Description:

Three phase 5 round pin straight plug.IP66 rated.

Available in 10A.20A.32A.40A.50A

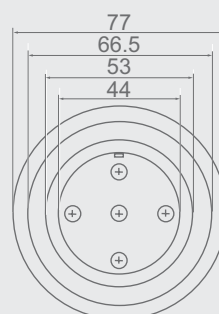
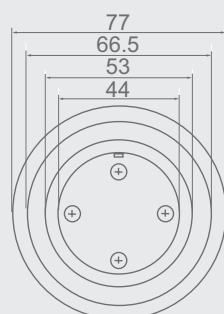
Voltage:500V

Code:56P510/56P520/56P532/56P540/56P550



Model No	Description	IP Degree
56P310	3Pin 10A250V	IP66
56P315	3Pin 15A250V	IP66
56P320	3Pin 20A250V/500V	IP66
56P332	3Pin 32A250V/500V	IP66
56P410	4Pin 10A500V	IP66
56P420	4Pin 20A500V	IP66
56P432	4Pin 32A500V	IP66
56P440	4Pin 40A500V	IP66
56P450	4Pin 50A500V	IP66
56P510	5Pin 10A500V	IP66
56P520	5Pin 20A500V	IP66
56P532	5Pin 32A500V	IP66
56P540	5Pin 40A500V	IP66
56P550	5Pin 50A500V	IP66

DIMENSIONS



ANGLE PLUGS

Three phase 3 round pin angle plug

Description:

Three phase round pin straight plug.IP66 rated

Available in 20A.32A

Voltage:250V/500V

Code:56PA320/56PA332



Three phase 4 round pin angled plug

Description:

Three phase 4 round pin angled plugs.IP66 rated

Available in 10A 20A.32A.40A.50A

Voltage:500V

Code:56PA410/56PA420/56PA432/56PA440/56PA450

Three phase 5 round pin angle plugs

Description:

Three phase 5 round pin angled plugs.IP66 rated

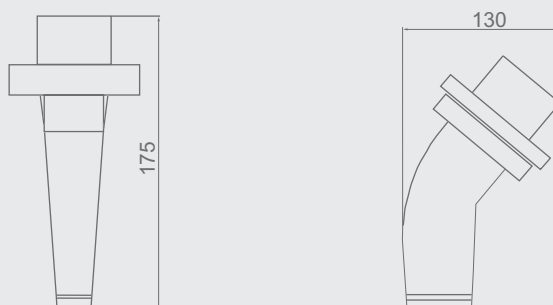
Available in 10A 20A.32A.40A.50A

Voltage:500V

Code:56PA510/56PA520/56PA532/56PA540/56PA550

Model No	Description
56PA320	3Pin 20A 250/500V
56PA332	3Pin 32A 250/500V
56PA410	4Pin 10A 500V
56PA420	4Pin 20A 500V
56PA432	4Pin 32A 500V
56PA440	4Pin 40A 500V
56PA450	4Pin 50A 500V
56PA510	5Pin 10A 500V
56PA520	5Pin 20A 500V
56PA532	5Pin 32A 500V
56PA540	5Pin 40A 500V
56PA550	5Pin 50A 500V

DIMENSIONS



ROUND PIN SOCKET

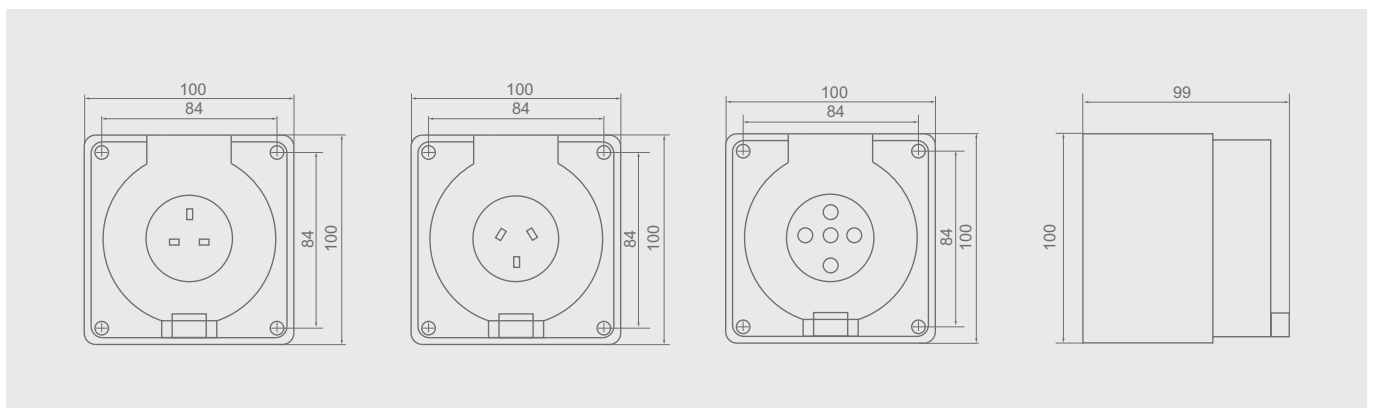
Description:

Single and three phase 3 flat pin socket. IP66 rated. available in standard grey or orange 10A. 13A. 15A. 20A. 32A. 40A. 50A
Voltage: 250V/500V



Model No	Description	IP Degree
56SO310	3Pin 10A 250V	IP66
56SO315	3Pin 15A 250V	IP66
56SO320	3Pin 20A 250V/500V	IP66
56SO332	3Pin 32A 250V/500V	IP66
56SO410	4Pin 10A 500V	IP66
56SO420	4Pin 20A 500V	IP66
56SO432	4Pin 32A 500V	IP66
56SO440	4Pin 40A 500V	IP66
56SO450	4Pin 50A 500V	IP66
56SO510	5Pin 10A 500V	IP66
56SO520	5Pin 20A 500V	IP66
56SO532	5Pin 32A 500V	IP66
56SO540	5Pin 40A 500V	IP66
56SO550	5Pin 50A 500V	IP66

DIMENSIONS



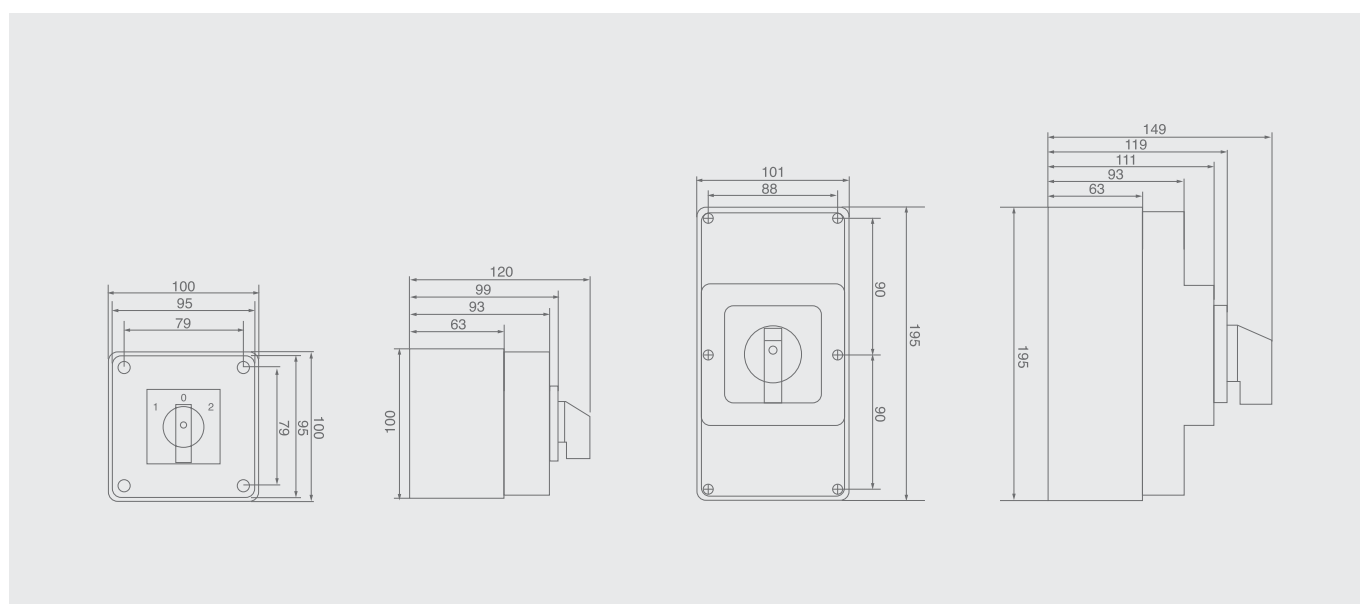
REVERSING SWITCHES

Designed to give full motor control, a unit is rated IP66, changeover and reversing switches are housed within single modules as part of the overall modular concept of the range. Earth and neutral connectors accommodating 3x6mm cables are provided with all models. Reversing switches type switch mechanisms are used and therefore special configurations are available.



Catalogue Number	56SW 320/O	56SW 332C/O	56SW 340C/O	56SW 363C/O
Rated Operational Voltage $U_e(-50\text{HZ})$ volts	500	500	500	500
Rated Insulation Voltage $U_e(-50\text{hz})$ Volts	660	660	660	660
Rated Thermal Current $I_{n\text{e}} \text{Eseled}$ Amps	20	32	40	63
Cable Cross Section Solid or Min	1 6	1 6	6 10	6 10
Utilisation Categories Switching of Resistive Loads Including a Amps	20	32	40	63
Switching of motor loads or other KW	7.5	11	15	22
Switching of Squirrel Cage Motors Amps	5.5	5.5	11	18.5
Rated short time second	1.5	1.5	1.5	1.5
Rated short circuit making capacity	22	22	50	50

DIMENSIONS



MOUNTING ENCLOSURES

■ One & two module enclosure cover

Description:

one & two module enclosure cover. IP66 rated.
Available in stand are gray and not change color.
Code:56E1/56E2/56E3/56E4/56E6/56E8/56E9

■ One & two module enclosure cover

Description:

one & two module enclosure cover. IP66 rated.
Available in stand are gray and not change color.
Code:56L1/56L2/56L3/56L4

