

060220-00 Rev. N

January 2013

# OmniSwitch AOS Release 6 Transceivers Guide

Alcatel-Lucent 

[www.alcatel-lucent.com](http://www.alcatel-lucent.com)

---

**This user guide contains SFP and XFP transceiver specifications and compatibility information for the OmniSwitch 6400, 6850E, 6855 and 9000E Series of switches . The information described in this guide is subject to change without notice.**

**Attention:** Use of any transceivers other than those part numbers listed in the SFP and XFP Compatibility Matrices is prohibited. Failure to comply with these matrices is not guaranteed for proper performance and may result in voiding the warranty for the affected platforms.

Copyright © 2013 by Alcatel-Lucent. All rights reserved. This document may not be reproduced in whole or in part without the express written permission of Alcatel-Lucent.

Alcatel-Lucent® and the Alcatel-Lucent logo are registered trademarks of Alcatel-Lucent. Xylan®, OmniSwitch®, OmniStack®, and Alcatel-Lucent OmniVista® are registered trademarks of Alcatel-Lucent.

OmniAccess™, Omni Switch/Router™, PolicyView™, RouterView™, SwitchManager™, VoiceView™, WebView™, X-Cell™, X-Vision™, and the Xylan logo are trademarks of Alcatel-Lucent.

This OmniSwitch product contains components which may be covered by one or more of the following U.S. Patents:

- U.S. Patent No. 6,339,830
- U.S. Patent No. 6,070,243
- U.S. Patent No. 6,061,368
- U.S. Patent No. 5,394,402
- U.S. Patent No. 6,047,024
- U.S. Patent No. 6,314,106
- U.S. Patent No. 6,542,507
- U.S. Patent No. 6,874,090



**26801 West Agoura Road  
Calabasas, CA 91301  
(818) 880-3500 FAX (818) 880-3505  
esd.support@alcatel-lucent.com  
US Customer Support—(800) 995-2696  
Internet—service.esd@alcatel-lucent.com**

# Contents

	<b>About This Guide</b> .....	v
	Supported Platforms .....	v
	Who Should Read this Manual? .....	vi
	When Should I Read this Manual? .....	vi
	What is Not in this Manual? .....	vi
	How is the Information Organized? .....	vii
	Documentation Roadmap .....	vii
	Related Documentation .....	ix
	Product Documentation .....	xi
	Technical Support .....	xi
<b>Chapter 1</b>	<b>Small Form-Factor Pluggables (SFPs)</b> .....	1-1
	In This Chapter .....	1-1
	SFP MSA Specification .....	1-2
	SFP Transceiver Installation and Removal .....	1-3
	Gigabit Ethernet Transceivers .....	1-5
	Dual-Speed Ethernet Transceivers .....	1-8
	Bi-directional Ethernet Transceivers .....	1-10
	100 FX Ethernet Transceivers .....	1-15
	CWDM Gigabit Ethernet Transceivers .....	1-17
	10-Gigabit SFP+ Transceivers .....	1-18
<b>Chapter 2</b>	<b>Industrial Small Form Factor Pluggables (iSFPs)</b> .....	1-21
	In This Chapter .....	1-21
	Industrial Gigabit Ethernet Transceivers .....	1-22
	Industrial Bi-directional Ethernet Transceivers .....	1-25
	Industrial 100 FX Ethernet Transceivers .....	1-29
	Industrial 10-Gigabit SFP+ Transceivers .....	1-31
<b>Chapter 3</b>	<b>10-Gigabit Small Form Factor Pluggables (XFPs)</b> .....	1-32
	In This Chapter .....	1-32
	XFP MSA Specification .....	1-33

---

	XFP Transceiver Installation and Removal .....	1-34
	10-Gigabit Ethernet Transceivers .....	1-35
<b>Chapter 4</b>	<b>SFP Compatibility Matrix .....</b>	<b>1-39</b>
	OmniSwitch 9000E Series .....	1-40
	OmniSwitch 6855 Series .....	1-41
	OmniSwitch 6850E Series .....	1-42
	OmniSwitch 6400 Series .....	1-43
<b>Chapter 5</b>	<b>XFP Compatibility Matrix .....</b>	<b>1-45</b>
	OmniSwitch 9000E Series .....	1-45
	OmniSwitch 6855 Series .....	1-45
	OmniSwitch 6850E Series .....	1-45
	OmniSwitch 6400 Series .....	1-46

# About This Guide

This *OmniSwitch Transceivers Guide* provides specifications and compatibility information for the supported OmniSwitch SFP and XFP transceivers for all OmniSwitch AOS 6 Release Products.

**Attention:** Use of any transceivers other than those part numbers listed in the SFP and XFP Compatibility Matrices is prohibited. Failure to comply with these matrices is not guaranteed for proper performance and may result in voiding the warranty for the affected platforms.

## Supported Platforms

This information in this guide applies to the following products:

- OmniSwitch 6400 Series
- OmniSwitch 6850E Series
- OmniSwitch 6855 Series
- OmniSwitch 9000E Series

## Unsupported Platforms

The information in this guide does not apply to the following products:

- OmniSwitch 6250 Series
- OmniSwitch 6850 Series
- OmniSwitch 9000 Series
- OmniStack 6200 Series
- OmniSwitch (original version with no numeric model name)
- OmniSwitch 6600 Series
- OmniSwitch 6800 Series
- OmniSwitch 7700/7800
- OmniSwitch 8800
- Omni Switch/Router
- OmniStack
- OmniAccess

## Who Should Read this Manual?

The audience for this user guide is network administrators and IT support personnel who need to provide network connectivity using SFP or XFP transceivers on an OmniSwitch.

## When Should I Read this Manual?

Read this guide as soon as you are ready to integrate your OmniSwitch into your network and you are ready to provide connectivity using the supported transceivers. You should have already stepped through the first login procedures and read the brief software overviews in the appropriate *OmniSwitch Getting Started Guide* and *OmniSwitch Hardware Guide*.

This guide includes information about the supported OmniSwitch transceivers.

- SFP and XFP specifications
- SFP and XFP compatibility information

## What is Not in this Manual?

Procedures for switch management methods, such as CLI, web-based (WebView or OmniVista) or SNMP, are outside the scope of this guide.

For information on WebView and SNMP switch management methods consult the *OmniSwitch Switch Management Guide*. Information on using WebView and OmniVista can be found in the context-sensitive on-line help available with those network management applications.

This guide is designed to provide transceiver specification and compatibility information only and is not intended as a reference for any CLI commands or configuration information. Refer to the Documentation Roadmap for a list of available user guides.

## How is the Information Organized?

Chapters in this guide are broken down by transceiver type, SFP or XFP. Additional sub-sections are provided for the various types of transceivers.

**Specification Information.** Each transceiver has an associated table providing individual specifications for all supported transceivers.

**Compatibility Information.** A compatibility chart is provided for each transceiver specifying which modules or switch the transceiver is supported on.

## Documentation Roadmap

The OmniSwitch user documentation suite was designed to supply you with information at several critical junctures of the configuration process. The following section outlines a roadmap of the manuals that will help you at each stage of the configuration process. Under each stage, we point you to the manual or manuals that will be most helpful to you.

### Stage 1: Using the Switch for the First Time

**Pertinent Documentation:** *Getting Started Guides*  
*Release Notes*

The *Getting Started Guide* provides the basic information you need to unpack and identify the components of your shipment. It provides information on unpacking the switch, unlocking access control, setting the switch's IP address, and setting up a password. It also includes overview information on fundamental aspects of the switch, such as hardware LEDs, the software directory structure, CLI conventions, and web-based management.

At this time you should also familiarize yourself with the Release Notes that accompanied your switch. This document includes important information on feature limitations that are not included in other user guides.

### Stage 2: Gaining Familiarity with Basic Switch Functions

**Pertinent Documentation:** *Hardware Users Guides*  
*Switch Management Guide*  
*OmniSwitch Transceivers Guide*

Once you have your switch up and running, you will want to begin investigating basic aspects of its hardware and software. Information about switch hardware is provided in the *Hardware Guide*. This guide provide specifications, illustrations, and descriptions of all hardware components, such as chassis, power supplies, Chassis Management Modules (CMMs), Network Interface (NI) modules, and cooling fans. It also includes steps for common procedures, such as removing and installing switch components.

The *Switch Management Guide* is the primary users guide for the basic software features on a single switch. This guide contains information on the switch directory structure, basic file and directory utilities, switch access security, SNMP, and web-based management. It is recommended that you read this guide before connecting your switch to the network.

### **Stage 3: Integrating the Switch Into a Network**

**Pertinent Documentation:** *Network Configuration Guide*  
*Advanced Routing Configuration Guide*

When you are ready to connect your switch to the network, you will need to learn how the OmniSwitch implements fundamental software features, such as 802.1Q, VLANs, Spanning Tree, and network routing protocols. The *Network Configuration Guide* contains overview information, procedures, and examples on how standard networking technologies are configured in the OmniSwitch.

The *Advanced Routing Configuration Guide* includes configuration information for networks using advanced routing technologies (OSPF and BGP) and multicast routing protocols (DVMRP and PIM-SM).

#### **Anytime**

The *OmniSwitch CLI Reference Guide* contains comprehensive information on all CLI commands supported by the switch. This guide includes syntax, default, usage, example, related CLI command, and CLI-to-MIB variable mapping information for all CLI commands supported by the switch. This guide can be consulted anytime during the configuration process to find detailed and specific information on each CLI command.



## Related Documentation

The following are the titles and descriptions of all the related OmniSwitch AOS Release 6 user manuals:

- *OmniSwitch 6400 Series Getting Started Guide*

Describes the basic information you need to unpack and identify the components of your OmniSwitch 6400 shipment. Also provides information on the initial configuration of the switch.
- *OmniSwitch 6850E Series Getting Started Guide*

Describes the basic information you need to unpack and identify the components of your OmniSwitch 6850(E) shipment. Also provides information on the initial configuration of the switch.
- *OmniSwitch 6855 Series Getting Started Guide*

Describes the basic information you need to unpack and identify the components of your OmniSwitch 6855 shipment. Also provides information on the initial configuration of the switch.
- *OmniSwitch 9000E Getting Started Guide*

Describes the hardware and software procedures for getting an OmniSwitch 9000/9000E Series up and running. Also provides information on fundamental aspects of OmniSwitch software architecture.
- *OmniSwitch 6400 Series Hardware Users Guide*

Detailed technical specifications and procedures for the OmniSwitch 6400 Series chassis and components. Also includes comprehensive information on assembling and managing stacked configurations.
- *OmniSwitch 6850E Series Hardware User Guide*

Complete technical specifications and procedures for all OmniSwitch 6850(E) Series chassis, power supplies, and fans. Also includes comprehensive information on assembling and managing stacked configurations.
- *OmniSwitch 6855 Series Hardware User Guide*

Complete technical specifications and procedures for all OmniSwitch 6855 Series chassis, power supplies, and fans.
- *OmniSwitch 9000E Hardware Users Guide*

Complete technical specifications and procedures for all OmniSwitch 9000/9000E Series chassis, power supplies, fans, and Network Interface (NI) modules.
- *OmniSwitch CLI Reference Guide*

Complete reference to all CLI commands supported on the OmniSwitch Series switches. Includes syntax definitions, default values, examples, usage guidelines and CLI-to-MIB variable mappings.
- *OmniSwitch AOS Release 6 Switch Management Guide*

Includes procedures for readying an individual switch for integration into a network. Topics include the software directory architecture, image rollback protections, authenticated switch access, managing switch files, system configuration, using SNMP, and using web management software (WebView).
- *OmniSwitch AOS Release 6 Network Configuration Guide*

Includes network configuration procedures and descriptive information on all the major software features and protocols included in the base software package. Chapters cover Layer 2 information

(Ethernet and VLAN configuration), Layer 3 information (routing protocols, such as RIP), security options (authenticated VLANs), Quality of Service (QoS), and link aggregation.

- *OmniSwitch AOS Release 6 Advanced Routing Configuration Guide*

Includes network configuration procedures and descriptive information on all the software features and protocols included in the advanced routing software package. Chapters cover multicast routing (DVMRP and PIM-SM), and OSPF.

- *OmniSwitch Transceivers Guide*

Includes SFP and XFP transceiver specifications and product compatibility information.

- *Technical Tips, Field Notices*

Includes information published by Alcatel-Lucent's Customer Support group.

- *Release Notes*

Includes critical open Problem Reports, feature exceptions, and other important information on the features supported in the current release and any limitations to their support.

## Product Documentation

Some products are shipped with documentation included on a User Manual CD that accompanies the switch. This CD also includes documentation for other Alcatel-Lucent data enterprise products.

All products are shipped with a Product Documentation Card that provides details for downloading documentation for all OmniSwitch and other Alcatel-Lucent data enterprise products.

All documentation is in PDF format and requires the Adobe Acrobat Reader program for viewing. Acrobat Reader freeware is available at [www.adobe.com](http://www.adobe.com).

---

**Note.** In order to take advantage of the documentation CD's global search feature, it is recommended that you select the option for *searching PDF files* before downloading Acrobat Reader freeware.

---

To verify that you are using Acrobat Reader with the global search option, look for the following button in the toolbar:



---

**Note.** When printing pages from the documentation PDFs, de-select Fit to Page if it is selected in your print dialog. Otherwise pages may print with slightly smaller margins.

---

## Technical Support

An Alcatel-Lucent service agreement brings your company the assurance of 7x24 no-excuses technical support. You'll also receive regular software updates to maintain and maximize your Alcatel-Lucent product's features and functionality and on-site hardware replacement through our global network of highly qualified service delivery partners. Additionally, with 24-hour-a-day access to Alcatel-Lucent's Service and Support web page, you'll be able to view and update any case (open or closed) that you have reported to Alcatel-Lucent's technical support, open a new case or access helpful release notes, technical bulletins, and manuals. For more information on Alcatel-Lucent's Service Programs, see our web page at [service.esd.alcatel-lucent.com](http://service.esd.alcatel-lucent.com), call us at 1-800-995-2696, or email us at [esd.support@alcatel-lucent.com](mailto:esd.support@alcatel-lucent.com).



# 1 Small Form-Factor Pluggables (SFPs)

OmniSwitch Series switches use both copper-based and fiber-based optical Small Form Factor Pluggable (SFP) transceivers. SFPs are fully hot-swappable and are available for both short-reach and long-reach applications. Copper-based and fiber-based optical SFPs can be mixed on the same module.

## In This Chapter

This chapter describes the technical specifications for all the OmniSwitch supported SFP transceivers. For additional details about OmniSwitch modules, see the appropriate *OmniSwitch Hardware Guide*.

SFP specifications in this chapter include:

- SFP MSA Specifications. See [“SFP MSA Specification”](#) on page 1-2
- SFP Transceiver Installation. See [“SFP Transceiver Installation and Removal”](#) on page 1-3
- Gigabit Ethernet Transceivers. See [“Gigabit Ethernet Transceivers”](#) on page 1-5.
- Dual-Speed Ethernet Transceivers. See [“Dual-Speed Ethernet Transceivers”](#) on page 1-8.
- Bi-directional Ethernet Transceivers. See [“Bi-directional Ethernet Transceivers”](#) on page 1-10.
- 100-FX Ethernet Transceivers. See [“100 FX Ethernet Transceivers”](#) on page 1-15.
- CWDM Gigabit Ethernet Transceivers. See [“CWDM Gigabit Ethernet Transceivers”](#) on page 1-17.
- 10-Gigabit SFP+ Transceivers. See [“10-Gigabit SFP+ Transceivers”](#) on page 1-18

For information on installing and managing OmniSwitch hardware, see the appropriate *Hardware Guide*.

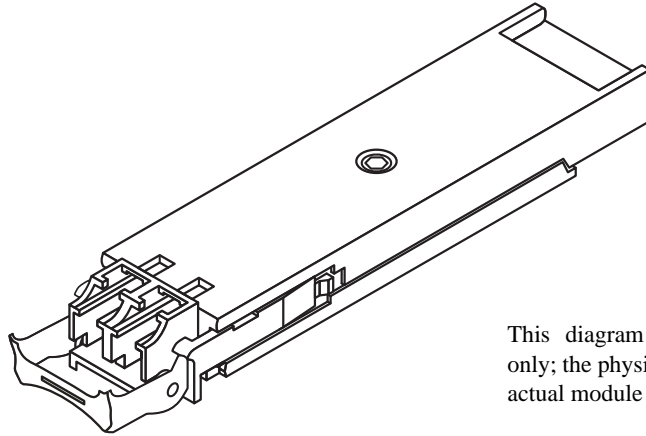
For information on OmniSwitch SFP compatibility, see [“SFP Compatibility Matrix”](#) on page 4-40.

For information on OmniSwitch XFP compatibility, see [“XFP Compatibility Matrix”](#) on page 5-44.

# SFP MSA Specification

The Small Form-Factor Pluggable (SFP) MSA (Multi Source Agreement) is a specification for a common interface for optical modular transceivers. The SFP connector consists of a 20-pin receptacle and an SFP housing cage. The connector provides the interface for the hot pluggable SFP module. Each SFP module contains a serial interface to provide identification information that describes the SFP capabilities, stand interfaces, manufacturer and other information.

For information on installing SFPs, refer to the documentation included with the transceiver.



This diagram is a representation only; the physical appearance of the actual module may vary slightly.

**Small Form Factor Pluggable (SFP)**

# SFP Transceiver Installation and Removal

Follow the instructions below for the appropriate SFP type.

**ESD Caution:** Before handling the module, you must discharge all static electricity on your person to avoid Electrostatic Discharge (ESD) damage. If using a wrist strap, ensure that the wrist strap touches your skin. Attach the other end of the strap to the chassis. If your chassis provides a grounding lug, this can be used. Refer to your hardware user guide for details.

If using a wrist strap, ensure that the wrist strap touches your skin. Attach the other end of the strap to the chassis. If your chassis provides a grounding lug, this can be used. Refer to your hardware user guide for details.

**Dust Exposure:** To reduce the risk of dust exposure and physical damage, be sure to replace the protective rubber cover (provided) when the SFP is not in use.

**Eye Safety:** SFP transceivers are international Class 1 laser products and are eye-safe devices *when operated within the limits of manufacturers' specifications*. Operating SFP transceivers in a manner inconsistent with intended usage and specification may result in hazardous radiation exposure.

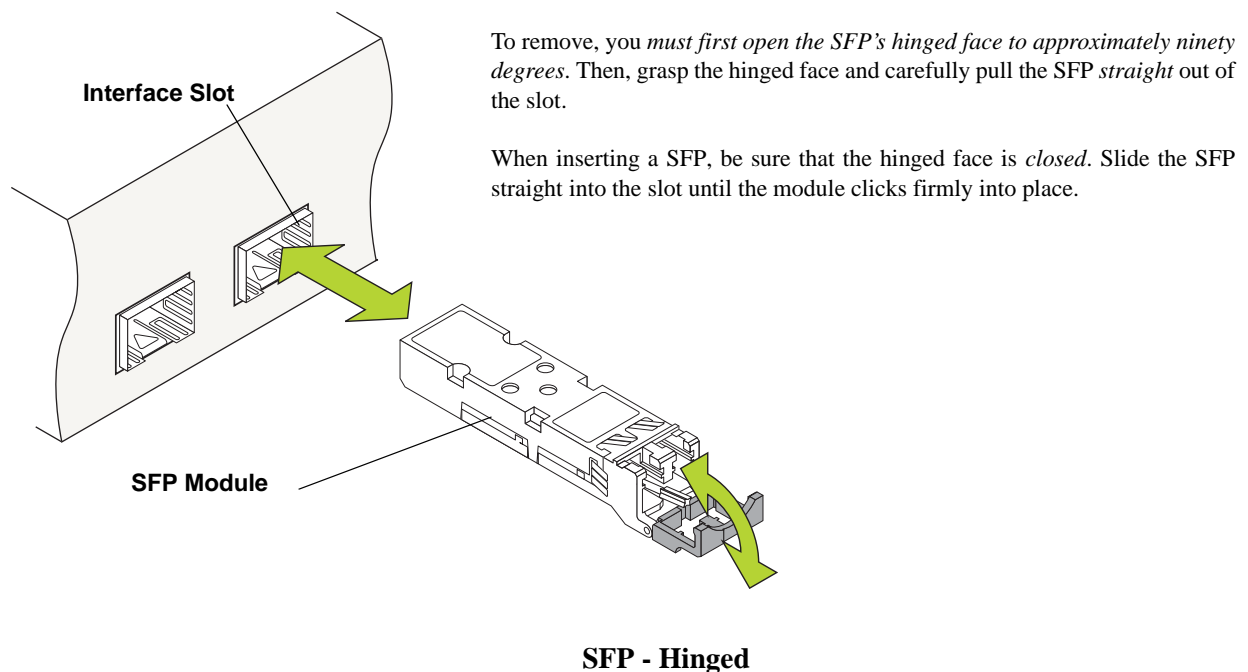
---

**Note:** After removing a transceiver, wait for a minimum of 5 seconds before re-inserting any transceiver into the same port. This allows sufficient time for software to detect the removal of the transceiver.

---

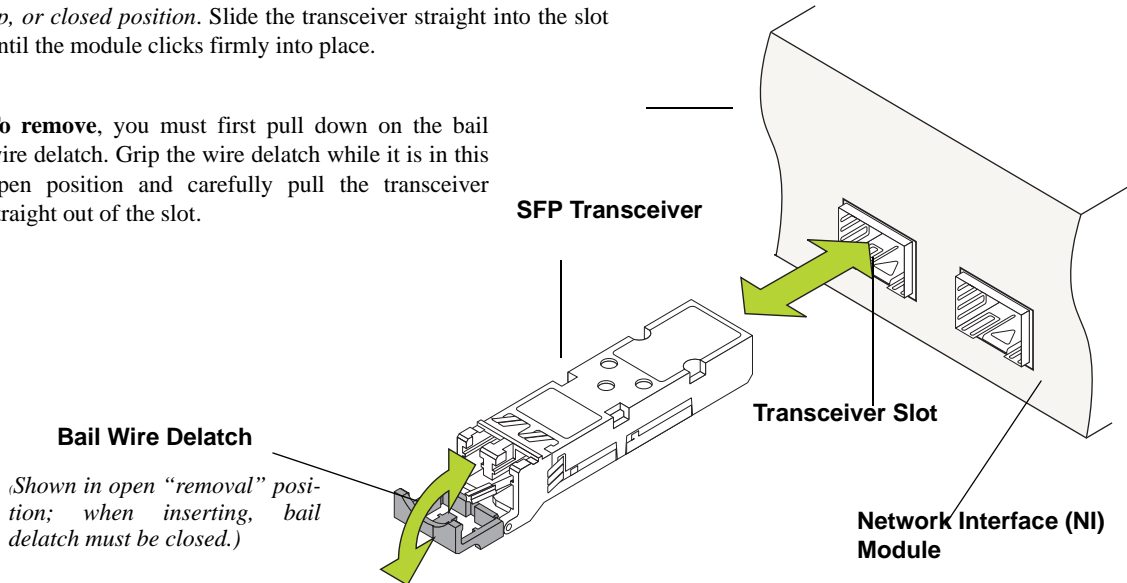
**Note:** *Never force the transceiver in or out of the transceiver slot.*

---



**To install**, align the transceiver with the transceiver slot on the NI module, as shown. Be sure that the bail wire delatch is in the *up, or closed position*. Slide the transceiver straight into the slot until the module clicks firmly into place.

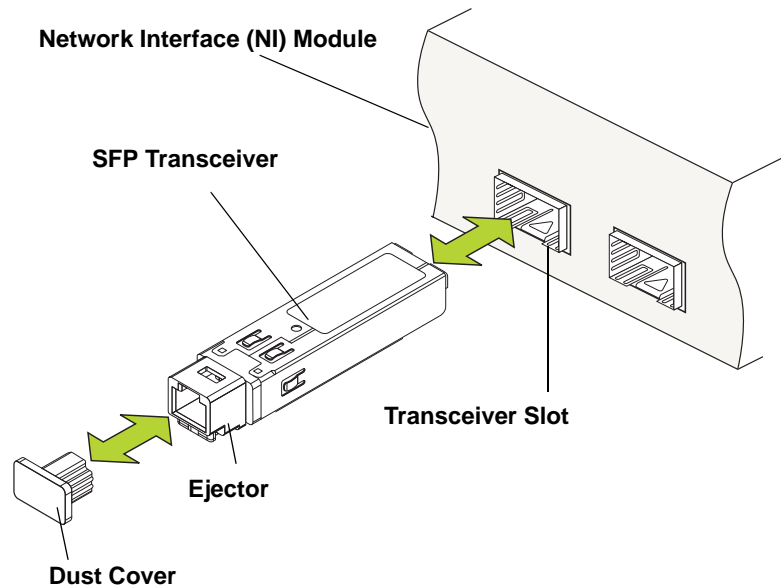
**To remove**, you must first pull down on the bail wire delatch. Grip the wire delatch while it is in this open position and carefully pull the transceiver straight out of the slot.



**SFP - Bail Wire**

**To install**, align the transceiver with the transceiver slot on the NI module, as shown. Carefully slide the transceiver back until it clicks into place; this is an indication that the connectors are firmly seated.

**To remove**, use the ejector tool (provided with each switch chassis) to push the transceiver's ejector button. The ejector button is located just below the transceiver port; refer to the diagram for more information. The transceiver will disengage from the connectors and eject slightly. Once disengaged, *use the clip end of the ejector tool* to carefully pull the transceiver straight out and away from the NI module.



**SFP - Ejector Button**



## Gigabit Ethernet Transceivers

### SFP-GIG-SX

Gigabit SFP Optical Transceiver.

Connector Type	LC
Standards Supported	802.3z, SFP MSA
Connections Supported	1000Base-SX
Fiber Type	MMF
Wavelength	850 nm
Optical Power Output	-9.5 to -4 dBm
Receiver Sensitivity	-17 dBm
Transmission Distance	~275 m on 62.5/125 $\mu$ m ~550 m on 50/125 $\mu$ m
Operating Temperature	0°C to 70°C
Digital Diagnostic Monitoring	Not Supported

### SFP-GIG-LX

Gigabit SFP Optical Transceiver.

Connector types	LC
Standards supported	802.3z, SFP MSA
Connections supported	1000Base-LX
Fiber Type	SMF
Wavelength	1310 nm
Optical Power Output	-9.5 to -3 dBm
Receiver Sensitivity	-20 dBm
Transmission Distance	~10 km
Operating Temperature	-40°C to 85°C / 0°C to 70°C
Digital Diagnostic Monitoring	Not Supported

## Gigabit Ethernet Transceivers (cont.)

### SFP-GIG-LH70

Gigabit SFP Optical Transceiver.

Connector Type	LC
Standards Supported	802.3z, SFP MSA
Connections Supported	1000Base-LH70
Fiber Type	SMF
Wavelength	1550 nm
Optical Power Output	0 to +5 dBm
Receiver Sensitivity	-22 dBm
Transmission Distance	~70 km
Operating Temperature	0°C to 70°C
Digital Diagnostic Monitoring	Supported

### SFP-GIG-LH40

Gigabit SFP Optical Transceiver.

Connector Type	LC
Standards Supported	802.3z, SFP MSA
Connections Supported	1000Base-LH40r
Fiber Type	SMF
Wavelength	1310 nm
Optical Power Output	-2 to +3 dBm
Receiver Sensitivity	-22 dBm
Transmission Distance	~40 km
Operating Temperature	0°C to 70°C
Digital Diagnostic Monitoring	Supported

## Gigabit Ethernet Transceivers (cont.)

### SFP-GIG-EXTND

Gigabit SFP Optical Transceiver.

Connector Type	LC
Standards Supported	802.3z, SFP MSA
Connections Supported	1000Base-SX
Fiber Type	MMF
Wavelength	1310 nm
Optical Power Output	-
Receiver Sensitivity	-
Transmission Distance	~2 km
Operating Temperature	0°C to 70°C
Digital Diagnostic Monitoring	Supported

### SFP-GIG-T

Gigabit SFP Copper Transceiver.

Connector Type	RJ-45
Standards Supported	802.3z, SFP MSA
Connections supported	10/100/1000Base-T
Cable Type	CAT5, CAT5e, CAT6
Transmission Distance	~100 m
Digital Diagnostic Monitoring	Not Supported

### SFP-GIG-EZX

Gigabit SFP Optical Transceiver.

Connector Type	LC
Standards Supported	802.3z, SFP MSA
Connections supported	1000Base-SX
Fiber Type	SMF
Wavelength	1550 nm
Optical Power Output	0 to 5 dBm
Receiver Sensitivity	-32 dBm
Transmission Distance	~120 km
Operating Temperature	-5°C to 70°C
Digital Diagnostic Monitoring	Supported

## Dual-Speed Ethernet Transceivers

### SFP-DUAL-MM

Dual-Speed SFP Optical Transceiver.

Connector Type	LC
Standards Supported	802.3z, 802.3ah, SFP MSA
Connections Supported	100Base-FX, 1000Base-LX
Fiber Type	MMF
Wavelength	1310 nm
Average Power Output	100Base-FX: -20 to -14 dBm 1000Base-LX: -11.5 to -3 dBm
Receiver Sensitivity	100Base-FX: -28 dBm 1000Base-LX: -22 dBm
Transmission Distance	550 m at 1000 Mbps 2 km at 100 Mbps
Operating Temperature	0°C to 70°C
Digital Diagnostic Monitoring	Not Supported

### SFP-DUAL-SM10

Dual-Speed SFP Optical Transceiver.

Connector Type	LC
Standards Supported	802.3z, 802.3ah, SFP MSA
Connections Supported	100Base-FX, 1000Base-LX
Fiber Type	SMF
Wavelength	1310 nm
Average Power Output	100Base-FX: -15 to -8 dBm 1000Base-LX: -9.5 to -3 dBm
Receiver Sensitivity	100Base-FX: -28 1000Base-LX: -22
Transmission Distances	10 km
Operating Temperature	0°C to 70°C
Digital Diagnostic Monitoring	Not Supported

**SFP-DUAL-BX-D**

Dual-Speed Bi-Directional SFP Optical Transceiver.

Connector Type	LC
Standards Supported	802.3z, SFP MSA
Connections Supported	1000BASE-BX10-D
Fiber Type	SMF
Wavelength	Transmit: 1550 nm Receive: 1310 nm
Average Power Output	-9 to -3 dBm
Receiver Sensitivity	-18.7 dBm
Transmission Distance	~ 10 km
Operating Temperature	0°C to 70°C
Digital Diagnostic Monitoring	Supported

**SFP-DUAL-BX-U**

Dual-Speed Bi-Directional SFP Optical Transceiver.

Connector Type	LC
Standards Supported	802.3z, SFP MSA
Connections Supported	1000BASE-BX10-U
Fiber Type	SMF
Wavelength	Transmit: 1310 nm Receive: 1550 nm
Average Power Output	-9 to -3 dBm
Receiver Sensitivity	-18.7 dBm
Transmission Distances	~ 10 km
Operating Temperature	0°C to 70°C
Digital Diagnostic Monitoring	Supported

## Bi-directional Ethernet Transceivers

---

### SFP-100-BX20LT

Bi-Directional SFP Optical Transceiver.

Connector Type	SC
Standards Supported	802.3ah, SFP MSA, ITU-T G.983
Connections Supported	100Base-BX
Fiber Type	SMF
Wavelength	Transmit: 1550 nm Receive: 1310 nm
Average Power Output	-14 to -8 dBm
Receiver Sensitivity	-32 dBm
Transmission Distance	~20 km
Operating Temperature	0°C to 70°C
Digital Diagnostic Monitoring	Supported
Notes	Designed for use with SFP-100-BX20NU

---

### SFP-100-BX20NU

Bi-Directional SFP Optical Transceiver.

Connector Type	SC
Standards Supported	802.3ah, SFP MSA, ITU-T G.983
Connections Supported	100Base-BX
Fiber Type	SMF
Wavelength	Transmit: 1310 nm Receive: 1550 nm
Average Power Output	-14 to -8 dBm
Receiver Sensitivity	-32 dBm
Transmission Distance	~20 km
Operating Temperature	0°C to 70°C
Digital Diagnostic Monitoring	Supported
Notes	Designed for use with SFP-100-BX20LT

## Bi-directional Ethernet Transceivers (cont.)

### SFP-100-BXLC-D

Bi-Directional SFP Optical Transceiver.

Connector Type	LC
Standards Supported	802.3ah, SFP MSA, ITU-T G.983
Connections Supported	100Base-BX
Fiber Type	SMF
Wavelength	Transmit: 1550 nm Receive: 1310 nm
Average Power Output	-14 to -8 dBm
Receiver Sensitivity	-32 dBm
Transmission Distance	~20 km
Operating Temperature	0°C to 70°C
Digital Diagnostic Monitoring	Supported
Notes	Designed for use with SFP-100-BXLC-U

### SFP-100-BXLC-U

Bi-Directional SFP Optical Transceiver.

Connector Type	LC
Standards Supported	802.3ah, SFP MSA, ITU-T G.983
Connections Supported	100Base-BX
Fiber Type	SMF
Wavelength	Transmit: 1310 nm Receive: 1550 nm
Average Power Output	-14 to -8 dBm
Receiver Sensitivity	-32 dBm
Transmission Distance	~20 km
Operating Temperature	0°C to 70°C
Digital Diagnostic Monitoring	Supported
Notes	Designed for use with SFP-100-BXLC-D

## Bi-directional Ethernet Transceivers (cont.)

### SFP-GIG-BX-D

Bi-Directional SFP Optical Transceiver.

Connector Type	LC
Standards Supported	802.3ah, SFP MSA
Connections Supported	1000Base-BX10
Fiber Type	SMF
Wavelength	Transmit: 1490 nm Receive: 1310 nm
Average Power Output	-9 to -3 dBm
Receiver Sensitivity	-19.5 dBm
Transmission Distance	~10 km
Operating Temperature	0°C to 70°C
Digital Diagnostic Monitoring	Supported
Notes	Designed for use with SFP-GIG-BX-U

### SFP-GIG-BX-U

Bi-Directional SFP Optical Transceiver.

Connector Type	LC
Standards Supported	802.3ah, SFP MSA
Connections Supported	1000Base-BX10
Fiber Type	SMF
Wavelength	Transmit: 1310 nm Receive: 1490 nm
Average Power Output	-9 to -3 dBm
Receiver Sensitivity	-19.5 dBm
Transmission Distance	~10 km
Operating Temperature	0°C to 70°C
Digital Diagnostic Monitoring	Supported
Notes	Designed for use with SFP-GIG-BX-D



## Bi-directional Ethernet Transceivers (cont.)

### SFP-GIG-BX-D20

Bi-Directional SFP Optical Transceiver.

Connector Type	LC
Standards Supported	802.3ah, SFP MSA
Connections Supported	1000Base-BX20
Fiber Type	SMF
Wavelength	Transmit: 1490 nm Receive: 1310 nm
Average Power Output	-8 to -3 dBm
Receiver Sensitivity	-23 dBm
Transmission Distance	~20 km
Operating Temperature	-5°C to 70°C
Digital Diagnostic Monitoring	Supported
Notes	Designed for use with SFP-GIG-BX-U20

### SFP-GIG-BX-U20

Bi-Directional SFP Optical Transceiver.

Connector Type	LC
Standards Supported	802.3ah, SFP MSA
Connections Supported	1000Base-BX20
Fiber Type	SMF
Wavelength	Transmit: 1310 nm Receive: 1490 nm
Average Power Output	-8 to -3 dBm
Receiver Sensitivity	-23 dBm
Transmission Distance	~20 km
Operating Temperature	-5°C to 70°C
Digital Diagnostic Monitoring	Supported
Notes	Designed for use with SFP-GIG-BX-D20

## Bi-directional Ethernet Transceivers (cont.)

### SFP-GIG-BX-D40

Bi-Directional SFP Optical Transceiver.

Connector Type	LC
Standards Supported	802.3ah, SFP MSA
Connections Supported	1000Base-BX40
Fiber Type	SMF
Wavelength	Transmit: 1490 nm Receive: 1310 nm
Average Power Output	-2 to +3 dBm
Receiver Sensitivity	-23 dBm
Transmission Distance	~40 km
Operating Temperature	-5°C to 70°C
Digital Diagnostic Monitoring	Supported
Notes	Designed for use with SFP-GIG-BX-U40

### SFP-GIG-BX-U40

Bi-Directional SFP Optical Transceiver.

Connector Type	LC
Standards Supported	802.3ah, SFP MSA
Connections Supported	1000Base-BX40
Fiber Type	SMF
Wavelength	Transmit: 1310 nm Receive: 1490 nm
Average Power Output	-2 to +3 dBm
Receiver Sensitivity	-23 dBm
Transmission Distance	~40 km
Operating Temperature	-5°C to 70°C
Digital Diagnostic Monitoring	Supported
Notes	Designed for use with SFP-GIG-BX-D40

# 100 FX Ethernet Transceivers

---

## SFP-100-LC-MM

SFP Optical Transceiver.

Connector Type	LC
Standards Supported	802.3u, SFP MSA
Connections supported	100Base-FX
Fiber Type	MMF
Wavelength	1310 nm
Optical Power Output	-19 to -14 dBm on 62.5/125 $\mu$ m -22 to -14 dBm on 50/125 $\mu$ m
Transmission Distance	~2 km on 62.5/125 $\mu$ m ~2 km on 50/125 $\mu$ m
Operating Temperature	0°C to 70°C
Digital Diagnostic Monitoring	Not Supported

---

## SFP-100-LC-SM15

SFP Optical Transceiver.

Connector Type	LC
Standards Supported	802.3u, SFP MSA
Connections Supported	100Base-FX
Fiber Type	SMF
Wavelength (nm)	1310 nm
Optical Power Output	-15 to -8 dBm
Receiver Sensitivity	-34 dBm
Transmission Distance	~15 km
Operating Temperature	0°C to 70°C
Digital Diagnostic Monitoring	Not Supported

## 100 FX Ethernet Transceivers (cont.)

---

**SFP-100-LC-SM40**

SFP Optical Transceiver.

---

Connector Type	LC
Standards Supported	802.3u, SFP MSA
Connections Supported	100Base-FX
Fiber Type	SMF
Wavelength	1310 nm
Optical Power Output	-15 to -8 dBm
Receiver Sensitivity	-34 dBm
Transmission Distances	~40 km
Operating Temperature	0°C to 70°C
Digital Diagnostic Monitoring	Not Supported

---

# CWDM Gigabit Ethernet Transceivers

---

## SFP-GIG-CWD

Coarse Wavelength Division Multiplexing (CWDM) is an optical transceiver supporting single-mode fiber over various wavelengths. CWDMs are hot-pluggable and are available for long-reach applications.

---

Connector Type	LC
Standards Supported	802.3z, SFP MSA
Connections Supported	1000Base-LX
Fiber Type	SMF
Wavelength	1470, 1490, 1510, 1530, 1550, 1570, 1590, 1610
Optical Power Output	-2 to +3 dBm
Receiver Sensitivity	-24 dBm
Transmission Distances	~62 km
Operating Temperature	-5°C to 70°C
Digital Diagnostic Monitoring	Not Supported

---

# 10-Gigabit SFP+ Transceivers

---

## SFP-10G-SR

10-Gigabit SFP+ Optical Transceiver.

Connector Type	LC
Standards Supported	802.3 Clause 52
Connections supported	10GBase-SR
Fiber Type	MMF
Wavelength	850 nm
Optical Power Output	-7.3 to -1.3 dBm
Receiver Sensitivity	-11.1 dBm
Transmission Distance	~ 300 m
Operating Temperature	0°C to 70°C
Digital Diagnostic Monitoring	Supported

---

## SFP-10G-LR

10-Gigabit SFP+ Optical Transceiver.

Connector Type	LC
Standards Supported	802.3 Clause 52
Connections supported	10GBase-LR
Fiber Type	SMF
Wavelength	1310 nm
Optical Power Output	-8.2 to 0.5 dBm
Receiver Sensitivity	-12.6 dBm
Transmission Distance	~ 10 km
Operating Temperature	0°C to 70°C
Digital Diagnostic Monitoring	Supported

**SFP-10G-ER**

10-Gigabit SFP+ Optical Transceiver.

Connector Type	LC
Standards Supported	802.3ae
Connections supported	10GBase-E
Fiber Type	SMF
Wavelength	1550 nm
Optical Power Output	-4.7 to 4.0 dBm
Receiver Sensitivity	-14.1 dBm
Transmission Distance	~ 40 km
Operating Temperature	0°C to 70°C
Digital Diagnostic Monitoring	Supported

**SFP-10G-LRM**

10-Gigabit SFP+ Optical Transceiver.

Connector Type	LC
Standards Supported	802.3aq
Connections supported	10GBase-LRM
Fiber Type	MMF
Wavelength	1310 nm
Optical Power Output	-6.5 to .5 dBm
Receiver Sensitivity	-6.5 dBm
Transmission Distance	~ 220 m
Operating Temperature	0°C to 70°C
Digital Diagnostic Monitoring	Supported

**SFP-10G-GIG-SR**

10-Gigabit SFP+ Optical Transceiver.

Connector Type	LC
Standards Supported	802.3-2005
Connections supported	10GBase-SR/SW, 1000Base-SX
Fiber Type	MMF
Wavelength	850 nm
Optical Power Output	-5 to -1 @ 10G -9.5 to -1dBm @ 1G
Receiver Sensitivity	-11.1 dBm @ 10G -17 dBm @ 1G
Transmission Distance	OM1: ~33m @ 10G, ~275m @ 1G OM2: ~82m @ 10G, ~550m @ 1G OM3: ~300m @ 10G, ~550m @ 1G
Operating Temperature	-5 °C to 70°C
Maximum Power Consumption	<1.0 Watt
Digital Diagnostic Monitoring	Supported



---

**SFP-10G-C**

10-Gigabit SFP+ Copper Transceiver.

Connector Type	Direct Attached
Standards Supported	802.3ae, SFF-8431
Cable Length	1m, 3m, 7m <sup>1</sup>
Wire Gauge	24AWG
Bend Radius	1.25 in.
Digital Diagnostic Monitoring	Not Supported

<sup>1</sup> Check for availability of lengths.

# 2 Industrial Small Form Factor Pluggables (iSFPs)

OmniSwitch Series switches use both copper-based and fiber-based optical Industrial Small Form Factor Pluggable (SFP) transceivers. SFPs are fully hot-swappable and are available for both short-reach and long-reach applications. Additionally, Industrial SFPs are designed to operate at an increased temperature range. Copper-based and fiber-based optical SFPs can be mixed on the same module.

## In This Chapter

This chapter describes the technical specifications for all the OmniSwitch supported iSFP transceivers. For additional details about OmniSwitch modules, see the appropriate *OmniSwitch Hardware Guide*.

iSFP specifications in this chapter include:

- Industrial Gigabit Ethernet Transceivers. See [“Industrial Gigabit Ethernet Transceivers”](#) on page 2-23.
- Industrial Bi-directional Ethernet Transceivers. See [“Industrial Bi-directional Ethernet Transceivers”](#) on page 2-26.
- Industrial 100-FX Ethernet Transceivers. See [“Bi-directional Ethernet Transceivers \(cont.\)”](#) on page 2-27.
- Industrial 10-Gigabit Ethernet Transceivers. See [“Industrial 10-Gigabit SFP+ Transceivers”](#) on page 2-31

For information on installing and managing OmniSwitch hardware, see the appropriate *OmniSwitch Hardware Guide*.

For information on OmniSwitch SFP compatibility, see [“SFP Compatibility Matrix”](#) on page 4-40.

# Industrial Gigabit Ethernet Transceivers

## iSFP-GIG-SX

Industrial Gigabit SFP Optical Transceiver.

Connector Type	LC
Standards Supported	802.3z, SFP MSA
Connections Supported	1000Base-SX
Fiber Type	MMF
Wavelength	850 nm
Optical Power Output	-9.5 to -3.5 dBm
Receiver Sensitivity	-18 dBm
Transmission Distance	~275 m on 62.5/125 $\mu$ m ~550 m on 50/125 $\mu$ m
Operating Temperature	-40°C to 85°C
Digital Diagnostic Monitoring	Supported

## iSFP-GIG-LX

Industrial Gigabit SFP Optical Transceiver.

Connector types	LC
Standards supported	802.3z, SFP MSA
Connections supported	1000Base-LX
Fiber Type	SMF
Wavelength	1310 nm
Average Output Power	-9.5 to -3 dBm
Receiver Sensitivity	-20 dBm
Transmission Distance	~10 km
Operating Temperature	-40°C to 85°C
Digital Diagnostic Monitoring	Not Supported

## Industrial Gigabit Ethernet Transceivers (cont.)

### **iSFP-GIG-LH70**

Industrial Gigabit SFP Optical Transceiver.

Connector Type	LC
Standards Supported	802.3z, SFP MSA
Connections Supported	1000Base-LH70
Fiber Type	SMF
Wavelength	1550 nm
Optical Power Output	0 to +5 dBm
Receiver Sensitivity	-22 dBm
Transmission Distance	~70 km
Operating Temperature	-40°C to 85°C
Digital Diagnostic Monitoring	Supported

### **iSFP-GIG-LH40**

Industrial Gigabit SFP Optical Transceiver.

Connector Type	LC
Standards Supported	802.3z, SFP MSA
Connections Supported	1000Base-LH40
Fiber Type	SMF
Wavelength	1310 nm
Optical Power Output	-2 to +3 dBm
Receiver Sensitivity	-22 dBm
Transmission Distance	~40 km
Operating Temperature	-40°C to 85°C
Digital Diagnostic Monitoring	Supported

**iSFP-GIG-T**

Industrial Gigabit SFP Copper Transceiver.

Connector Type	RJ-45
Standards Supported	802.3z, SFP MSA
Connections supported	10/100/1000Base-T
Cable Type	CAT5, CAT5e, CAT6
Transmission Distance	~100 m
Operating Temperature	-40°C to 85°C
Digital Diagnostic Monitoring	Not Supported

**iSFP-GIG-EZX**

Industrial Gigabit SFP Optical Transceiver.

Connector Type	LC
Standards Supported	802.3z, SFP MSA
Connections supported	1000Base-SX
Fiber Type	SMF
Wavelength	1550 nm
Optical Power Output	0 to 5 dBm
Receiver Sensitivity	-32 dBm
Transmission Distance	~120 km
Operating Temperature	-40°C to 85°C
Digital Diagnostic Monitoring	Supported

# Industrial Bi-directional Ethernet Transceivers

## iSFP-100-BX-D

Industrial Bi-Directional SFP Optical Transceiver.

Connector Type	SC
Standards Supported	802.3ah, SFP MSA, ITU-T G.983
Connections Supported	100Base-BX
Fiber Type	SMF
Wavelength	Transmit: 1550 nm Receive: 1310 nm
Average Power Output	-14 to -8 dBm
Receiver Sensitivity	-32 dBm
Transmission Distance	~20 km
Operating Temperature	-40°C to 85°C
Digital Diagnostic Monitoring	Supported
Notes	Designed for use with iSFP-100-BX-U

## iSFP-100-BX-U

Industrial Bi-Directional SFP Optical Transceiver.

Connector Type	SC
Standards Supported	802.3ah, SFP MSA, ITU-T G.983
Connections Supported	100Base-BX
Fiber Type	SMF
Wavelength	Transmit: 1310 nm Receive: 1550 nm
Average Power Output	-14 to -8 dBm
Receiver Sensitivity	-32 dBm
Transmission Distance	~20 km
Operating Temperature	-40°C to 85°C
Digital Diagnostic Monitoring	Supported
Notes	Designed for use with iSFP-100-BX-D

## Bi-directional Ethernet Transceivers (cont.)

### iSFP-100-BXLC-D

Industrial Bi-Directional SFP Optical Transceiver.

Connector Type	LC
Standards Supported	802.3ah, SFP MSA, ITU-T G.983
Connections Supported	100Base-BX
Fiber Type	SMF
Wavelength	Transmit: 1550 nm Receive: 1310 nm
Average Power Output	-14 to -8 dBm
Receiver Sensitivity	-32 dBm
Transmission Distance	~20 km
Operating Temperature	0°C to 85°C
Digital Diagnostic Monitoring	Supported
Notes	Designed for use with iSFP-100-BXLC-U

### iSFP-100-BXLC-U

Industrial Bi-Directional SFP Optical Transceiver.

Connector Type	LC
Standards Supported	802.3ah, SFP MSA, ITU-T G.983
Connections Supported	100Base-BX
Fiber Type	SMF
Wavelength	Transmit: 1310 nm Receive: 1550 nm
Average Power Output	-14 to -8 dBm
Receiver Sensitivity	-32 dBm
Transmission Distance	~20 km
Operating Temperature	0°C to 85°C
Digital Diagnostic Monitoring	Supported
Notes	Designed for use with iSFP-100-BXLC-D

**iSFP-GIG-BX-D**

Industrial Bi-Directional SFP Optical Transceiver.

Connector Type	LC
Standards Supported	802.3ah, SFP MSA
Connections Supported	1000Base-BX10
Fiber Type	SMF
Wavelength	Transmit: 1490 nm Receive: 1310 nm
Average Power Output	-9 to -3 dBm
Receiver Sensitivity	-19.5 dBm
Transmission Distance	~10 km
Operating Temperature	-40°C to 85°C
Digital Diagnostic Monitoring	Supported
Notes	Designed for use with iSFP-GIG-BX-U

**iSFP-GIG-BX-U**

Industrial Bi-Directional SFP Optical Transceiver.

Connector Type	LC
Standards Supported	802.3ah, SFP MSA
Connections Supported	1000Base-BX10
Fiber Type	SMF
Wavelength	Transmit: 1310 nm Receive: 1490 nm
Average Power Output	-9 to -3 dBm
Receiver Sensitivity	-19.5 dBm
Transmission Distance	~10 km
Operating Temperature	-40°C to 85°C
Digital Diagnostic Monitoring	Supported
Notes	Designed for use with iSFP-GIG-BX-D



## Industrial 100 FX Ethernet Transceivers

### **iSFP-100-MM**

Industrial SFP Optical Transceiver.

Connector Type	LC
Standards Supported	802.3u, SFP MSA
Connections supported	100Base-FX
Fiber Type	MMF
Wavelength	1310 nm
Optical Power Output	-20 to -14 dBm
Receiver Sensitivity	-30 dBm
Transmission Distance	~ 2 km
Operating Temperature	-40°C to 85°C
Digital Diagnostic Monitoring	Not Supported

### **iSFP-100-SM15**

Industrial SFP Optical Transceiver.

Connector Type	LC
Standards Supported	802.3u, SFP MSA
Connections Supported	100Base-FX
Fiber Type	SMF
Wavelength (nm)	1310 nm
Optical Power Output	-15 to -8 dBm
Receiver Sensitivity	-34 dBm
Transmission Distance	~15 km
Operating Temperature	-40°C to 85°C
Digital Diagnostic Monitoring	Not Supported

## Industrial 100 FX Ethernet Transceivers (cont.)

---

**iSFP-100-SM40**

Industrial SFP Optical Transceiver.

---

Connector Type	LC
Standards Supported	802.3u, SFP MSA
Connections Supported	100Base-FX
Fiber Type	SMF
Wavelength	1310 nm
Optical Power Output	-15 to -8 dBm
Receiver Sensitivity	-34 dBm
Transmission Distances	~40 km
Operating Temperature	-40°C to 85°C
Digital Diagnostic Monitoring	Not Supported

---

## Industrial 10-Gigabit SFP+ Transceivers

### iSFP-10G-LR

Industrial 10-Gigabit SFP+ Optical Transceiver.

Connector Type	LC
Standards Supported	802.3 Clause 52
Connections supported	10GBase-LR
Fiber Type	SMF
Wavelength	1310 nm
Optical Power Output	-8.2 to 0.5 dBm
Receiver Sensitivity	-10.3 dBm
Transmission Distance	~ 10 km
Operating Temperature	-40°C to 85°C
Digital Diagnostic Monitoring	Supported

### iSFP-10G-ER

Industrial 10-Gigabit SFP+ Optical Transceiver.

Connector Type	LC
Standards Supported	802.3ae
Connections supported	10GBase-ER
Fiber Type	SMF
Wavelength	1550 nm
Optical Power Output	-4.7 to 4.0 dBm
Receiver Sensitivity	-14.1 dBm
Transmission Distance	~ 40 km
Operating Temperature	-40°C to 85°C
Digital Diagnostic Monitoring	Supported

### iSFP-10G-C

10-Gigabit SFP+ Copper Direct Attached Copper Cable.

Connector Type	Direct Attached
Standards Supported	802.3ae, SFF-8431
Cable Length	30cm, 3m, 10m

---

**iSFP-10G-C**

10-Gigabit SFP+ Copper Direct Attached Copper Cable.

---

Digital Diagnostic Monitoring    Not Supported

---

# 3 10-Gigabit Small Form Factor Pluggables (XFPs)

10-Gigabit Small Form Factor Pluggables (XFPs) are fiber-based optical transceivers. XFPs are fully hot-swappable and are available for both short-reach and long-reach applications.

## In This Chapter

This chapter describes the technical specifications for all the OmniSwitch supported XFP transceivers. For additional details about OmniSwitch modules, see the appropriate *OmniSwitch Hardware Guide*.

XFP specifications in this chapter include:

- XFP MSA Specification. See [“XFP MSA Specification”](#) on page 3-34
- XFP Transceiver Installation. See [“XFP Transceiver Installation and Removal”](#) on page 3-35.
- 10-Gigabit Ethernet Transceivers. See [“10-Gigabit Ethernet Transceivers”](#) on page 3-36.

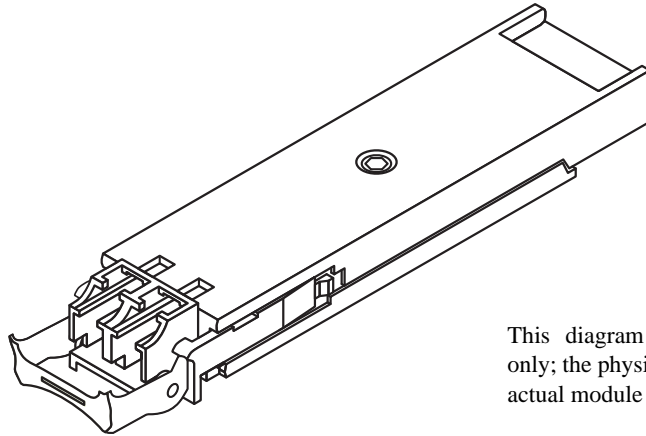
For information on installing and managing OmniSwitch hardware, see the appropriate *Hardware Guide*.

For information on OmniSwitch XFP compatibility, see [“XFP Compatibility Matrix”](#) on page 5-44.

# XFP MSA Specification

The 10-Gigabit Small Form-Factor Pluggable (XFP) MSA (Multi Source Agreement) is a specification for a common interface for optical modular transceivers. The XFP connector consists of a 30-pin receptacle and an XFP housing cage. The connector provides the interface for the hot pluggable XFP module. Each XFP module contains a serial interface to provide identification information that describes the XFP capabilities, standard interfaces, manufacturer and other information.

For information on installing XFPs, refer to the documentation included with the transceiver.



This diagram is a representation only; the physical appearance of the actual module may vary slightly.

**10-Gigabit Small Form Factor Pluggable (XFP)**

## Eye Safety

XFP transceivers are international Class 1 laser products and are eye-safe devices *when operated within the limits of manufacturers' specifications*. Operating XFP transceivers in a manner inconsistent with intended usage and specification may result in hazardous radiation exposure.

# XFP Transceiver Installation and Removal

Follow the instructions below when installing an XFP transceiver.

**ESD Caution:** Before handling the module, you must discharge all static electricity on your person to avoid Electrostatic Discharge (ESD) damage. If using a wrist strap, ensure that the wrist strap touches your skin. Attach the other end of the strap to the chassis. If your chassis provides a grounding lug, this can be used. Refer to your hardware user guide for details.

If using a wrist strap, ensure that the wrist strap touches your skin. Attach the other end of the strap to the chassis. If your chassis provides a grounding lug, this can be used. Refer to your hardware user guide for details.

**Dust Exposure:** To reduce the risk of dust exposure and physical damage, be sure to replace the protective rubber cover (provided) when the XFP is not in use.

**Eye Safety:** XFP transceivers are international Class 1 laser products and are eye-safe devices *when operated within the limits of manufacturers' specifications*. Operating XFP transceivers in a manner inconsistent with intended usage and specification may result in hazardous radiation exposure.

---

**Note:** After removing a transceiver, wait for a minimum of 5 seconds before re-inserting any transceiver into the same port. This allows sufficient time for software to detect the removal of the transceiver.

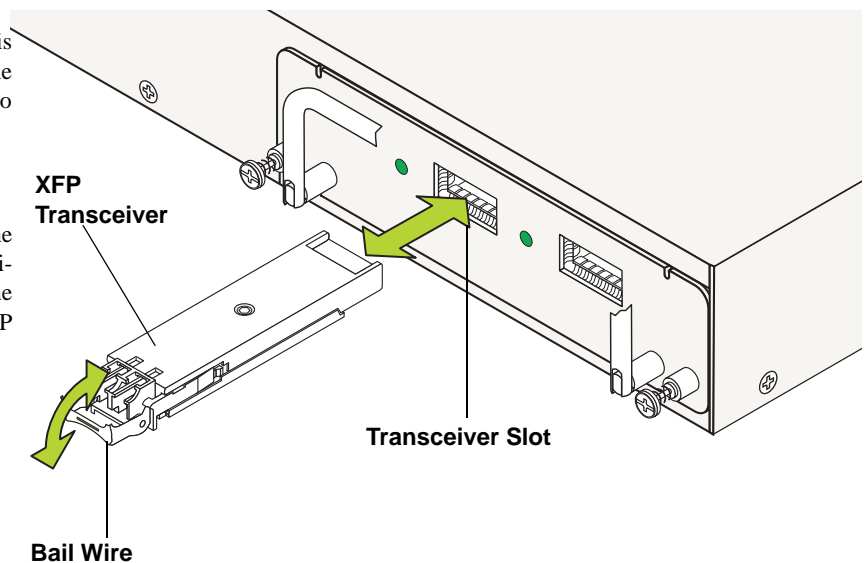
---

**Note:** *Never force the transceiver in or out of the transceiver slot.*

---

**To install,** be sure that the bail latch is closed. Slide the XFP straight into the slot until the module clicks firmly into place.

**To remove,** you must first open the XFP's hinged bail latch to approximately ninety degrees. Then, grasp the hinged face and carefully pull the XFP straight out of the slot.



*(Shown in open "removal" position; when inserting, bail delatch must be closed.)*

## XFP - Bail Wire

## 10-Gigabit Ethernet Transceivers

### **XFP-10G-SR**

10-Gigabit XFP Optical Transceiver.

Connector Type	LC
Standards Supported	802.3ae, XFP MSA
Connections Supported	10GBase-SR
Fiber Type	MMF
Wavelength	850 nm
Optical Power Output	-7.3 to -1.0 dBm
Receiver Sensitivity	-9.9 dBm
Transmission Distance	~ 300 m (with OM3 fiber)
Power Consumption	1.5 W
Operating Temperature	0°C to 70°C
Digital Diagnostic Monitoring	Not Supported

### **XFP-10G-LR**

10-Gigabit XFP Optical Transceiver.

Connector Type	LC
Standards Supported	802.3ae, XFP MSA
Connections Supported	10GBase-LR
Fiber Type	SMF
Wavelength	1310 nm
Optical Power Output	-8.2 to .5 dBm
Receiver Sensitivity	-16 dBm
Transmission Distances	~ 10 km
Power Consumption	2.5 W Max.
Operating Temperature	0°C to 70°C
Digital Diagnostic Monitoring	Not Supported



## 10-Gigabit Ethernet Transceivers (cont.)

### **XFP-10G-ER40**

10-Gigabit XFP Optical Transceiver.

Connector Type	LC
Standards Supported	802.3ae, XFP MSA
Connections Supported	10GBase-ER
Cable Type	SMF
Wavelength	1550 nm
Optical Power Output	-4.7 to +4 dBm
Receiver Sensitivity	-15.8 dBm
Transmission Distance	~ 40 km
Power Consumption	3.5 W Max.
Operating Temperature	0°C to 70°C
Digital Diagnostic Monitoring	Not Supported

### **XFP-10G-ZR80**

10-Gigabit XFP Optical Transceiver.

Connector type	LC
Standards Supported	802.3ae, XFP MSA
Connections Supported	10GBase-ZR
Fiber Type	SMF
Wavelength	1550 nm
Optical Power Output	0 to +4 dBm
Receiver Sensitivity	-24 dBm
Transmission Distance	~ 80 km
Power consumption	3.5 W Max.
Operating Temperature	-5°C to 70°C
Digital Diagnostic Monitoring	Not Supported

## 10-Gigabit Ethernet Transceivers (cont.)

### XFP-10G-CX4

10-Gigabit XFP Copper Transceiver.

Connector Type	CX4
Standards Supported	802.3ak, XFP MSA
Connections supported	10GBase-CX4
Cable Type	Standard CX4 copper cables compliant with IEEE 802.3ak
Transmission Distance	~15 m
Digital Diagnostic Monitoring	Not Supported
Notes	InfiniBand type cables not supported. Only one CX4 transceiver can be used on OS6850 "X" models due to size requirements. See <a href="#">XFP-10G-CX4-C4/C6</a> for support of two CX4 transceivers.

### XFP-10G-CX4-C4/C6

10-Gigabit XFP Copper Transceiver with direct attached CX4 cable.

Connector Type	CX4
Standards Supported	802.3ak, XFP MSA
Connections supported	10GBase-CX4
Cable Type	Direct attached CX4 copper cables in 4 or 6 foot lengths.
Transmission Distance	C4 - 4 Feet C6 - 6 Feet
Digital Diagnostic Monitoring	Not Supported
Notes	This cable allows for two CX4 transceivers to be used on the OS6850 'X' models. One end is a standard CX4 male connector and the other end is an XFP connection. See <a href="#">XFP-10G-CX4</a> for CX4 transceiver without attached cable.



**XFP-10G-CX4-C4/C6 Cable**

**XFP-10G-DWDM**

Dense Wavelength Division Multiplexing (DWDM), 100GHz ITU Grid, C-Band optical transceiver supporting single-mode fiber over various wavelengths. DWDMs are hot-pluggable and are available for long-reach applications.

Connector type	LC
Standards Supported	XFP MSA
Fiber Type	SMF
Wavelength	Channel 35 - 1549.32 Channel 37 - 1547.72 Channel 38 - 1546.92 Channel 39 - 1546.12 Channel 59 - 1530.33
Optical Power Output	-3 to +3 dBm
Receiver Sensitivity	-23 or -27 dBm
Transmission Distance	~ 80 km
Power consumption	<3.5W
Operating Temperature	-5°C to 70°C
Digital Diagnostic Monitoring	Not Supported
Notes	The transmitter becomes operational within 60 seconds of power-up. This is due to the time required for the transceiver to reach its optimum operating temperature.

# 4 SFP Compatibility Matrix

## OmniSwitch 6855 Series

The following table shows the Ethernet transceiver configurations and the minimum release required for support on the OmniSwitch 6855:

SFP	OS6855
<b>iSFP-GIG-SX</b>	6.3.2
<b>iSFP-GIG-LX</b>	6.3.2
<b>iSFP-GIG-LH40</b>	6.3.2
<b>iSFP-GIG-LH70</b>	6.3.2
<b>iSFP-GIG-EZX</b>	6.4.5
<b>iSFP-100-BX-D<sup>1</sup></b>	6.3.2
<b>iSFP-100-BX-U<sup>1</sup></b>	6.3.2
<b>iSFP-100-BXLC-D<sup>1</sup></b>	6.4.2
<b>iSFP-100-BXLC-U<sup>1</sup></b>	6.4.2
<b>iSFP-100-MM<sup>1</sup></b>	6.3.2
<b>iSFP-100-SM15<sup>1</sup></b>	6.3.2
<b>iSFP-100-SM40<sup>1</sup></b>	6.3.2
<b>iSFP-GIG-T<sup>1,2,3,4</sup></b>	6.4.2
<b>iSFP-GIG-BX-D</b>	6.4.2
<b>iSFP-GIG-BX-U</b>	6.4.2
<b>iSFP-10G-LR</b>	6.4.2
<b>iSFP-10G-ER</b>	6.4.5
<b>iSFP-10G-C</b>	6.4.2
<b>All other non-industrial SFPs</b>	Not Supported

1. Not supported on combo ports.
2. Supports maximum of 4 Copper SFPs on OS6855-U10.
3. Supports maximum of 8 Copper SFPs on OS6855-U24.
4. Supports 10/100/1000 Mbps.

\* 10/100/1000 Mbps SFP transceivers are not supported on 10-Gigabit SFP+ ports.

# OmniSwitch 6850E Series

The following table shows the Ethernet transceiver configurations and the minimum release required for support on the OmniSwitch 6850E:

SFP	6850E (Excluding U24X)	OS6850E-U24X
<b>SFP-GIG-SX</b>	6.4.4	6.4.4
<b>SFP-GIG-LX</b>	6.4.4	6.4.4
<b>SFP-GIG-LH40</b>	6.4.4	6.4.4
<b>SFP-GIG-LH70</b>	6.4.4	6.4.4
<b>SFP-GIG-EXTND</b>	6.4.4	6.4.4
<b>SFP-GIG-CWD</b>	6.4.4	6.4.4
<b>SFP-GIG-T<sup>1</sup></b>	Not Supported	6.4.4
<b>SFP-GIG-EZX</b>	6.4.5	6.4.5
<b>SFP-DUAL-MM</b>	6.4.5	6.4.4
<b>SFP-DUAL-SM10</b>	Not Supported	6.4.4
<b>SFP-DUAL-BX-D</b>	6.4.5	6.4.5
<b>SFP-DUAL-BX-U</b>	6.4.5	6.4.5
<b>SFP-100-BX20LT<sup>1</sup></b>	Not Supported	6.4.4
<b>SFP-100-BX20NU<sup>1</sup></b>	Not Supported	6.4.4
<b>SFP-100-BXLC-D<sup>1</sup></b>	Not Supported	6.4.4
<b>SFP-100-BXLC-U<sup>1</sup></b>	Not Supported	6.4.4
<b>SFP-100-LC-MM<sup>1</sup></b>	Not Supported	6.4.4
<b>SFP-100-LC-SM15<sup>1</sup></b>	Not Supported	6.4.4
<b>SFP-100-LC-SM40<sup>1</sup></b>	Not Supported	6.4.4
<b>SFP-GIG-BX-D</b>	6.4.4	6.4.4
<b>SFP-GIG-BX-U</b>	6.4.4	6.4.4
<b>SFP-GIG-BX-D20</b>	Not Supported	Not Supported
<b>SFP-GIG-BX-U20</b>	Not Supported	Not Supported
<b>SFP-GIG-BX-D40</b>	Not Supported	Not Supported
<b>SFP-GIG-BX-U40</b>	Not Supported	Not Supported
<b>SFP-10G-SR</b>	6.4.4	6.4.4
<b>SFP-10G-LR</b>	6.4.4	6.4.4
<b>SFP-10G-ER</b>	6.4.4	6.4.4
<b>SFP-10G-LRM</b>	6.4.4	6.4.4
<b>SFP-10G-GIG-SR</b>	Not Supported	Not Supported
<b>SFP-10G-C</b>	6.4.4	6.4.4

1. Supported on OS6850E-U24X non-combo ports only.

\* 10/100/1000 Mbps SFP transceivers are not supported on 10-Gigabit SFP+ ports.

## OmniSwitch 9000E Series

The following table shows the Ethernet transceiver configurations and minimum release required for support on the OmniSwitch 9000E Series:

SFP	OS9-GNI-U24E	OS9-XNI-U12E
<a href="#">SFP-GIG-SX<sup>1</sup></a>	6.4.1	6.4.4
<a href="#">SFP-GIG-LX<sup>1</sup></a>	6.4.1	6.4.4
<a href="#">SFP-GIG-LH40<sup>1</sup></a>	6.4.1	6.4.4
<a href="#">SFP-GIG-LH70<sup>1</sup></a>	6.4.1	6.4.4
<a href="#">SFP-GIG-EXTND<sup>1</sup></a>	6.4.1	6.4.4
<a href="#">SFP-GIG-CWD<sup>1</sup></a>	6.4.1	6.4.4
<a href="#">SFP-GIG-T<sup>1,2</sup></a>	6.4.1	6.4.4
<a href="#">SFP-GIG-EZX</a>	6.4.5	Not Supported
<a href="#">SFP-DUAL-MM</a>	6.4.1	Not Supported
<a href="#">SFP-DUAL-SM10</a>	6.4.1	Not Supported
<a href="#">SFP-DUAL-BX-D</a>	6.4.5	Not Supported
<a href="#">SFP-DUAL-BX-U</a>	6.4.5	Not Supported
<a href="#">SFP-100-BX20LT</a>	Not Supported	Not Supported
<a href="#">SFP-100-BX20NU</a>	Not Supported	Not Supported
<a href="#">SFP-100-BXLC-D</a>	Not Supported	Not Supported
<a href="#">SFP-100-BXLC-U</a>	Not Supported	Not Supported
<a href="#">SFP-100-LC-MM</a>	Not Supported	Not Supported
<a href="#">SFP-100-LC-SM15</a>	Not Supported	Not Supported
<a href="#">SFP-100-LC-SM40</a>	Not Supported	Not Supported
<a href="#">SFP-GIG-BX-D</a>	6.4.1	6.4.4
<a href="#">SFP-GIG-BX-U</a>	6.4.1	6.4.4
<a href="#">SFP-GIG-BX-D20</a>	6.4.4	6.4.4
<a href="#">SFP-GIG-BX-U20</a>	6.4.4	6.4.4
<a href="#">SFP-GIG-BX-D40</a>	6.4.4	6.4.4
<a href="#">SFP-GIG-BX-U40</a>	6.4.4	6.4.4
<a href="#">SFP-10G-SR</a>	Not Supported	6.4.3
<a href="#">SFP-10G-LR</a>	Not Supported	6.4.3
<a href="#">SFP-10G-ER</a>	Not Supported	6.4.3
<a href="#">SFP-10G-LRM</a>	Not Supported	6.4.3
<a href="#">SFP-10G-GIG-SR</a>	Not Supported	6.4.5
<a href="#">SFP-10G-C</a>	Not Supported	6.4.3

1. Speed must be hardcoded to 1000 Mbits for support on OS9-XNI-U12E.

2. Supports 10/100/1000 Mbits.

# OmniSwitch 6400 Series

The following table shows the Ethernet transceiver configurations and the minimum release required for support on the OmniSwitch 6400:

SFP	OS6400 <i>(All ports/All models)</i>
<b>SFP-GIG-SX</b>	6.3.3
<b>SFP-GIG-LX</b>	6.3.3
<b>SFP-GIG-LH40</b>	6.3.3
<b>SFP-GIG-LH70</b>	6.3.3
<b>SFP-GIG-EXTND</b>	6.3.3
<b>SFP-GIG-CWD</b>	Not Supported
<b>SFP-GIG-T<sup>1,2</sup></b>	6.3.3
<b>SFP-GIG-EZX</b>	6.4.5
<b>SFP-DUAL-MM</b>	Not Supported
<b>SFP-DUAL-SM10</b>	Not Supported
<b>SFP-DUAL-BX-D</b>	6.4.5
<b>SFP-DUAL-BX-U</b>	6.4.5
<b>SFP-100-BX20LT</b>	6.3.3
<b>SFP-100-BX20NU</b>	6.3.3
<b>SFP-100-BXLC-D</b>	6.4.2
<b>SFP-100-BXLC-U</b>	6.4.2
<b>SFP-100-LC-MM</b>	6.3.3
<b>SFP-100-LC-SM15</b>	6.3.3
<b>SFP-100-LC-SM40</b>	6.3.3
<b>SFP-GIG-BX-D</b>	6.3.3
<b>SFP-GIG-BX-U</b>	6.3.3
<b>SFP-GIG-BX-D20</b>	Not Supported
<b>SFP-GIG-BX-U20</b>	Not Supported
<b>SFP-GIG-BX-D40</b>	Not Supported
<b>SFP-GIG-BX-U40</b>	Not Supported
<b>SFP-10G Transceivers</b>	No 10-Gig support

1. SFP-GIG-T supports 10/100/1000 Mbits on non-combo ports only.
2. SFP-GIG-T is not supported on OS6400 combo ports.

# 5 XFP Compatibility Matrix

## OmniSwitch 9000E Series

The following table shows the 10-Gigabit Ethernet transceiver configurations and supported releases on the OmniSwitch 9000E Series:

XFP	OS9-XNI-U2E
<a href="#">XFP-10G-SR</a>	6.4.1
<a href="#">XFP-10G-LR</a>	6.4.1
<a href="#">XFP-10G-ER40</a>	6.4.1
<a href="#">XFP-10G-ZR80</a>	6.4.1
<a href="#">XFP-10G-CX4</a>	6.4.1
<a href="#">XFP-10G-DWDM</a>	6.4.1

## OmniSwitch 6855 Series

The following table shows the 10-Gigabit Ethernet transceiver configurations and supported releases on the OmniSwitch 6855:

XFP	OmniSwitch 6855
All <sup>1</sup>	Not Supported

1. OmniSwitch 6855-U24X supports 10-Gigabit SFP+ Transceivers.

## OmniSwitch 6850E Series

The following table shows the 10-Gigabit Ethernet transceiver configurations and supported releases on the OmniSwitch 6850E:

XFP	OmniSwitch 6850E
All <sup>1</sup>	Not Supported

1. OmniSwitch 6850E only supports 10-Gigabit SFP+ Transceivers.



## OmniSwitch 6400 Series

The following table shows the 10-Gigabit Ethernet transceiver configurations and supported releases on the OmniSwitch 6400:

<b>XFP</b>	<b>OmniSwitch 6400</b>
<b>All</b>	No 10-Gig Support

