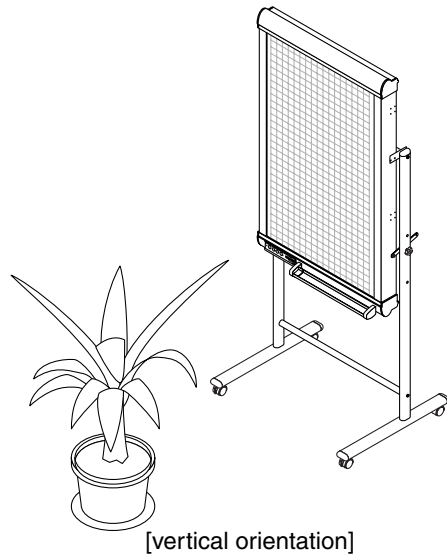
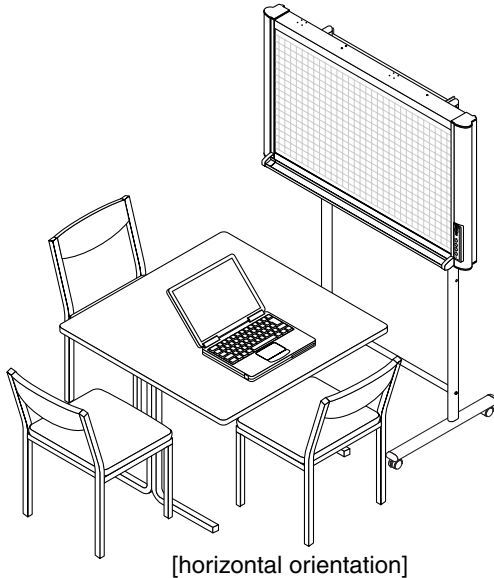


Stand Assembly Manual

WARNINGS

- Be sure to install and assemble the copyboard as instructed in this manual. Improper installation or assembly could lead to injury.
- At least two people should hold the copyboard when installing and removing it.



This dedicated stand for the M-5 Copyboard allows the Copyboard to be set up in the horizontal or vertical orientation. Please assemble the stand in the orientation that suits the purpose.

Note that the parts supplied with the Copyboard will also be used in the assembly.

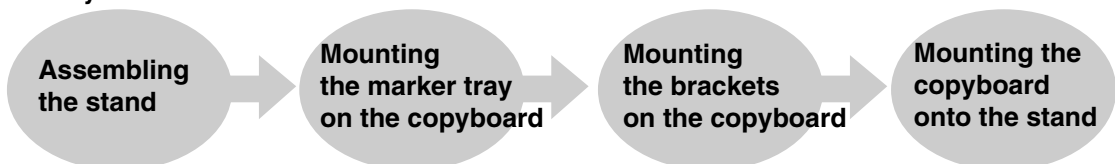
Assembling the stand and mounting the copyboard horizontally

Parts included in the copyboard package: Marker tray (1 pc), side covers (2 pcs), M4 x 8 marker tray installation screws (3 pcs, screws removed when unpacking), 8 copyboard mount screws (M4 x 12)

List of parts included in the stand kit (parts used for horizontal installation)

Feet (with casters) : 2, Frames : 2, Foot washers : 2, Foot fixing screws (M8 x 50) : 4, Spring washers : 4, Extension frames : 2, Caps : 6, Fixing knobs (with hexagon cap nuts) : 2, Crossbars : 2, Hexagonal socket head screws : 4, Flat washers : 4, Upper brackets (left and right) : 2, Lower brackets : 2, Hexagonal wrench (M8) : 1, Hexagonal wrench (M5) : 1

● Assembly and installation flow



(1) Assemble the T-shaped legs (two).

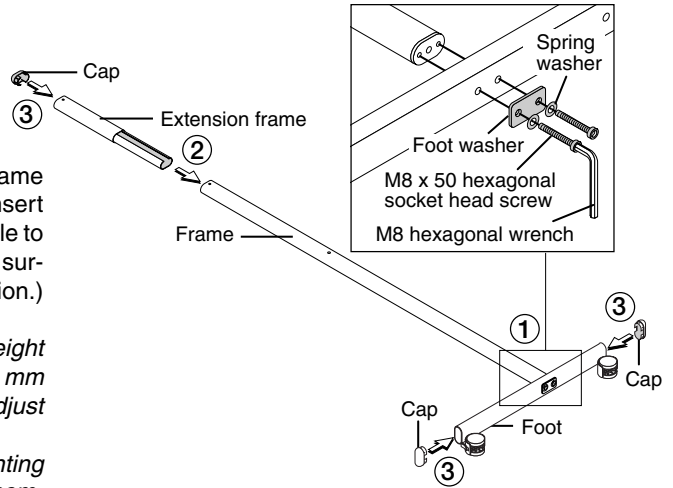
① Mount the foot using washers, spring washers and M8 x 50 hexagonal socket head screws.

② Make sure of the orientation of the extension frame and the frame end looking at the marks, then insert all the way. (Note that it will no longer be possible to remove the extension frame when the mark surface has been inserted in the opposite orientation.)

Notice:

- Mounting the extension frame makes for a height of 1700 mm off the floor (compared to 1465 mm without the extension frame). Use this to adjust the height.
- For the assembly procedure when not mounting the extension frames, see step (1) under "Assembling the stand and mounting the copyboard vertically".

③ Fit the caps on the top of the frame and feet.

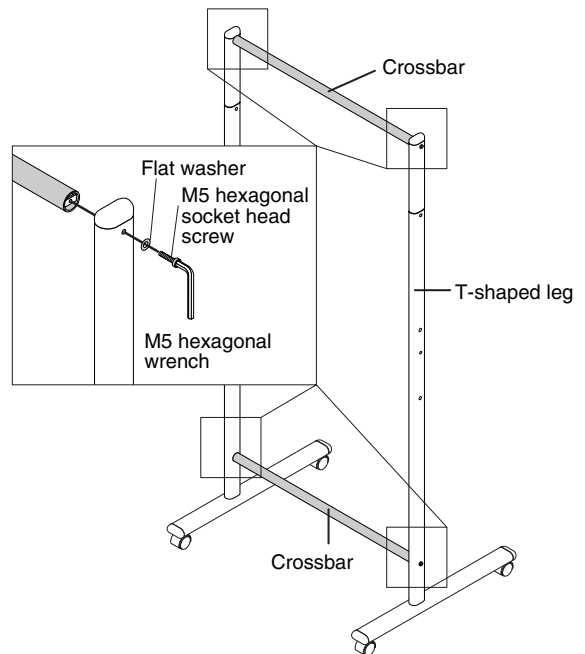


(2) Mount the two crossbars onto the T-shaped legs assembled in (1) above.

Mount them using the M5 hexagonal socket head screws and flat washers.

Temporarily fasten the screws using the included M5 hexagonal wrench, then fasten them securely once both the upper and lower crossbars have been mounted.

* Assemble in a flat place.



(3) Attach the marker tray to the Copyboard.

① Insert the side covers into both ends of the marker tray.

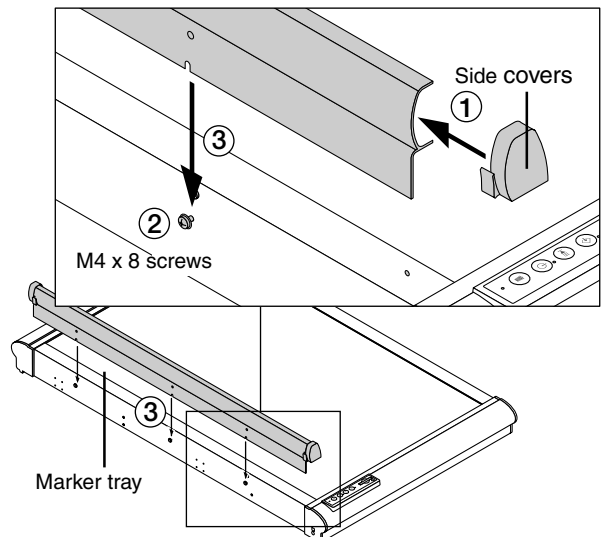
- Note that there are left and right type side covers.

② Temporarily fasten the three M4 x 8 screws into the Copyboard (leaving about 3 mm)

- Use the supplied screwdriver.

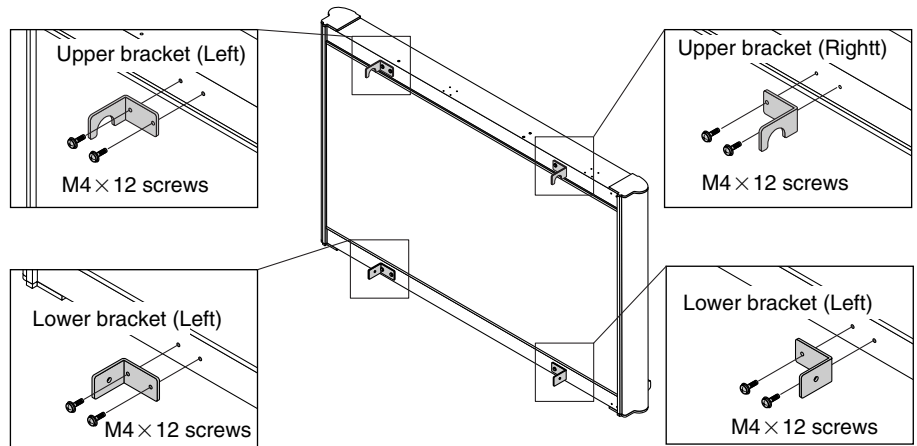
③ Insert the marker tray over the 3 screws that have been temporarily fastened, and then tighten securely.

- Please insert the marker tray as far as they will go.



(4) Mount the upper and lower brackets using M4 x 12 screws.

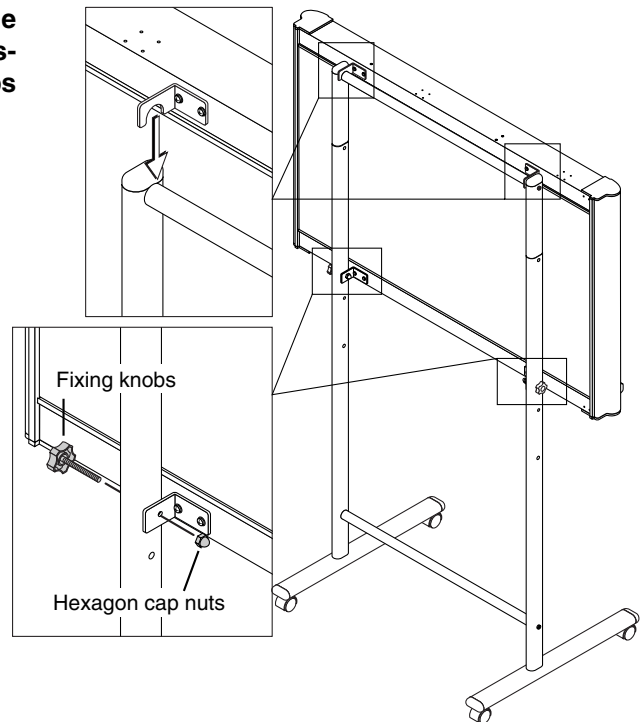
- The left and right upper brackets are different. Be sure to mount them on the proper side.
- Both the lower brackets have the same form, but mount them in the opposite directions so that each is facing outwards.



(5) Hook the left and right upper brackets of the Copyboard onto the upper crossbar and fasten the lower brackets using the fixing knobs and hexagon cap nuts.

⚠ CAUTION

- Lock the casters so that the stand does not move.
- When mounting and adjusting the height, at least two people should hold the copyboard to prevent it from dropping or tipping over, resulting in unexpected injury.



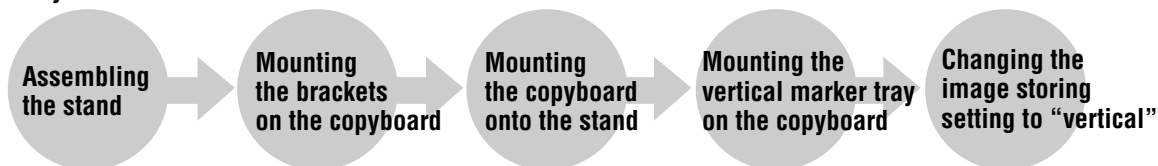
Assembling the stand and mounting the copyboard vertically

Parts included in the copyboard package: 6 copyboard mount screws (M4 x 12)

List of parts included in the stand kit (parts used for vertical installation)

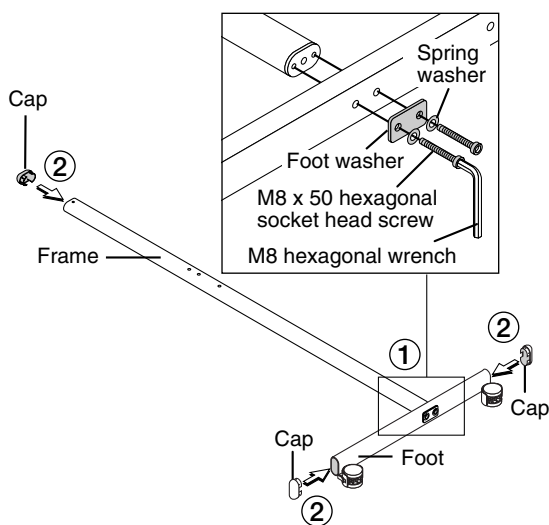
Feet (with casters) : 2, Frames : 2, Foot washers : 2, Foot fixing screws (M8 x 50) : 4,
Spring washers : 4, Caps : 6, Fixing knobs (with hexagon cap nuts) : 2, Crossbars : 2,
Hexagonal socket head screws : 4, Flat washers : 4, Upper brackets (left and right) : 2, Lower brackets : 2,
Hexagonal wrench (M8) : 1, Hexagonal wrench (M5) : 1, Short marker tray:1, Side covers: 2
M3 decorative screws : 2

● Assembly and installation flow



(1) Assemble the T-shaped legs (two).

- ① Mount the foot using two M8 x 50 screws (+ spring washers).
- ② Fit the caps on the top of the frame and feet.

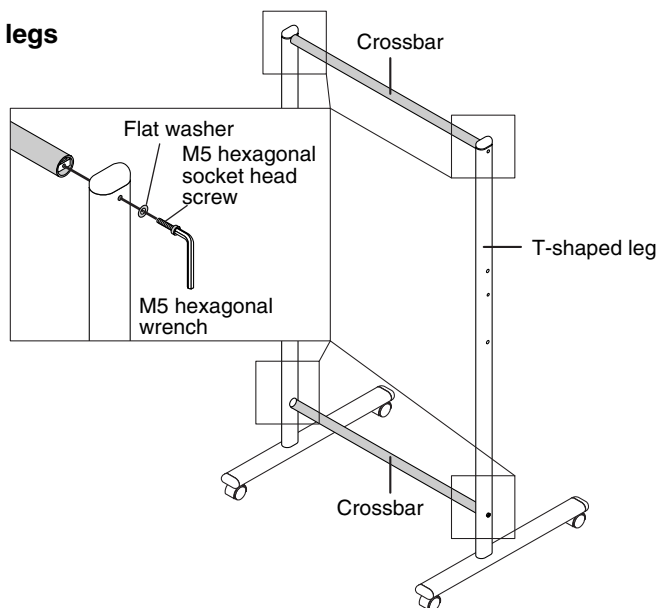


(2) Mount the two crossbars onto the T-shaped legs assembled in (1) above.

Mount them using the hexagonal socket head screws and flat washers.

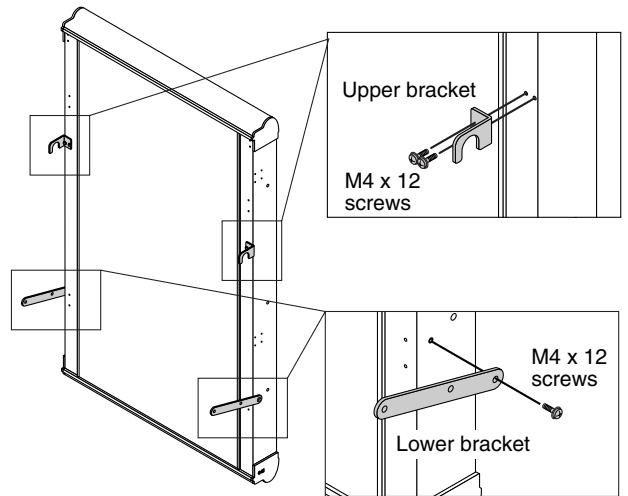
Temporarily fasten the screws using the included hexagonal wrench, then fasten them securely once both the upper and lower crossbars have been mounted.

* Assemble in a flat place.



(3) Mount the upper and lower brackets using M4 x 12 screws.

- The left and right upper brackets are different.
- Be sure to mount them on the proper side.

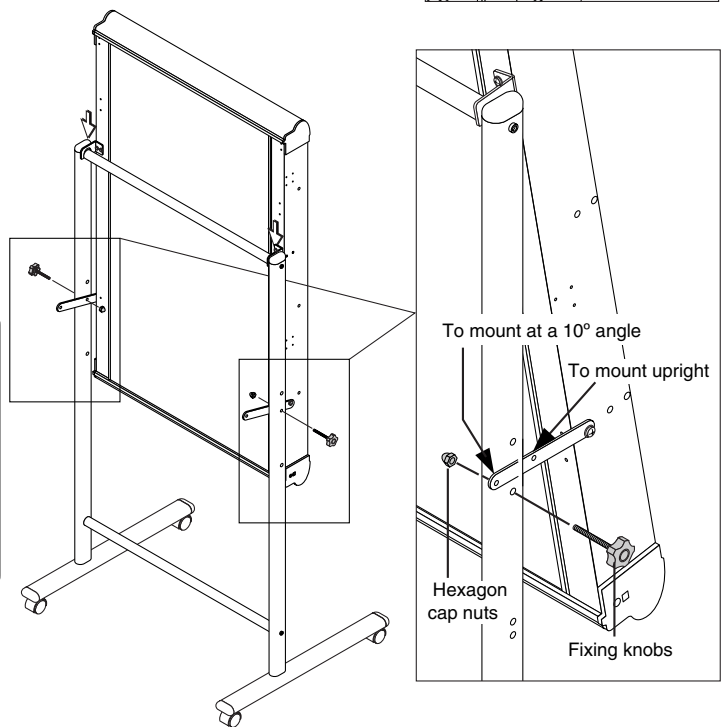


(4) Hook the left and right upper brackets of the Copyboard onto the upper crossbar and fasten the lower brackets using the fixing knobs and hexagon cap nuts.

There are two screw holes for adjusting the angle (upright or 10 degrees) on each lower bracket. Use the desired screw holes.

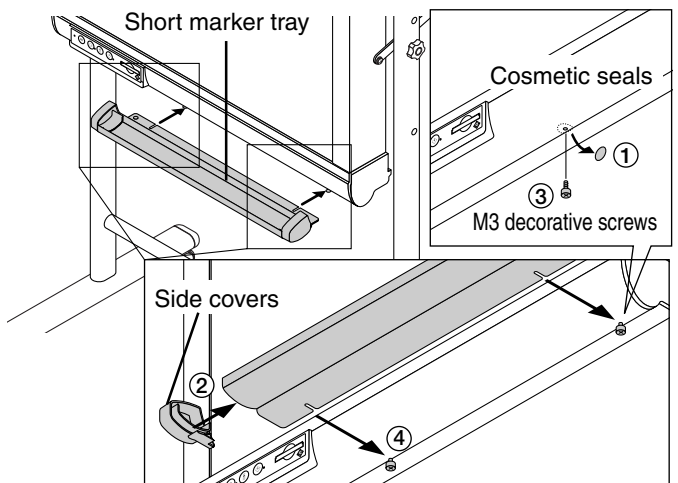
! CAUTION

- Lock the casters so that the stand does not move.
- When mounting and adjusting the height, at least two people should hold the copyboard to prevent it from dropping or tipping over, resulting in unexpected injury.



(5) Mount the short marker tray.

- ① Peel off the two cosmetic seals to expose the screw parts.
- ② Insert the side covers into both ends of the short marker tray.
 - Note that there are left and right type side covers.
- ③ Temporarily fasten the two M3 decorative screws to the Copyboard (leaving about 3 mm).
- ④ Insert the marker tray over the two screws that have been temporarily fastened, and tighten securely.
 - Please insert the short marker tray as far as they will go.



(6) Vertical Image Setting.

The Copyboard is set for horizontal position when shipped from the factory. Please set for vertical position using the following procedure.

- Preparation:**
1. Connect the AC power adapter to the Copyboard and the power outlet. See the User's Manual for information about the connection method.
 2. Prepare a tool to press the button in the pin hole, for example a paper clip that has been bent out, etc.

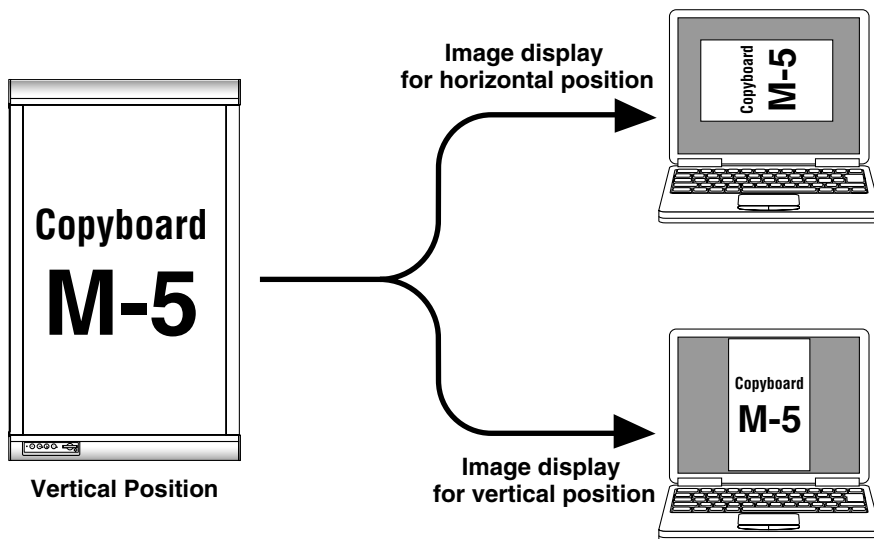
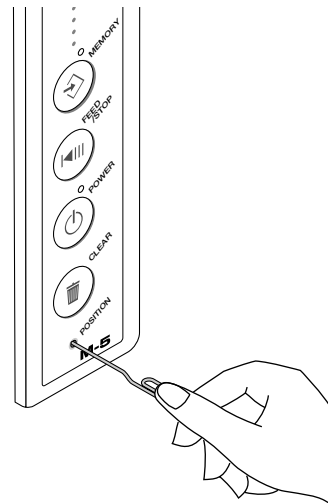
- ① Press the POWER button and switch on the power. (The Power indicator will light.)
- ② Insert the pin into the POSITION pin hole and push. The MEMORY indicator will blink at a slow rate for 5 seconds and the Copyboard will be set for the vertical position.

Notice:

To switch back to horizontal, press the POSITION button again.

The POWER indicator blinks slowly for 5 seconds, and the position setting is switched back to horizontal.

The setting switches between vertical and horizontal each time the button in the pin hole is pressed.

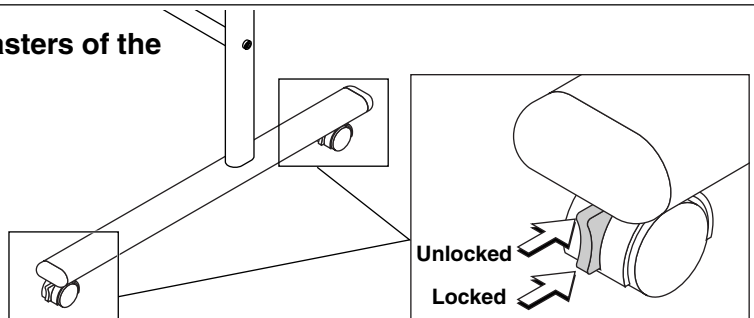


Locking and Unlocking the Casters of the Stand

Pressing the bottom of the lock button will lock the casters. Pressing the top will unlock the casters.

Note

After setup, lock the casters using the stoppers. Unlock the stoppers before moving the Copyboard.



PLUS Vision Corp.

20-11, Otowa 1-chome, Bunkyo-ku, Tokyo, 112-0013 JAPAN

www.plus-vision.com

email:plusvision@plus.co.jp