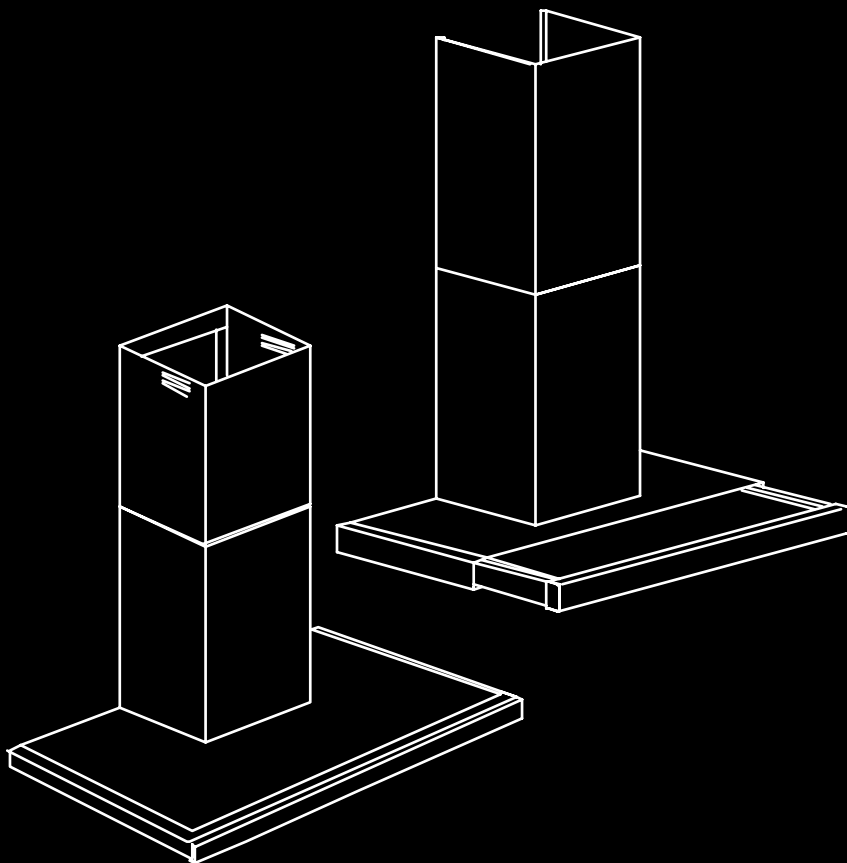


Black Fascia & Auto Slide-Out Canopy Range Hood



Installation and User manual

Content

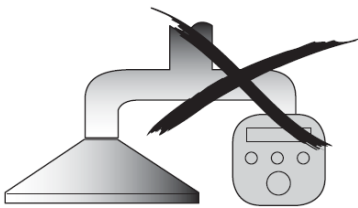
Safety instructions-----	1
Product description-----	3
Operation mode-----	4
Installation-----	5
Start using the range hood-----	9
Maintenance and cleaning-----	10
Warranty-----	11

**BR603AX
BR903AX
BR603TBX
BR903TBX**

This manual explains the proper installation and use of your range hood, please read it carefully before using even if you are familiar with the product. The manual should be kept in a safe place for future reference.

Never to do:

- This appliance is not intended for use by persons (including children) with reduced physical, sensory and mental capabilities, or lack of experience and knowledge, unless they have been given supervision or instruction concerning use of the appliance by a person responsible for their safety.
- Never carry out flammable cooking under the appliance
- The exhaust from the range hood must not be discharged into any heating flue, which may carry combustion products from other sources.



- Do not leave lit gas burners exposed due to the risk of fire.



- This range hood is not recommended for barbecues.

Always to do:

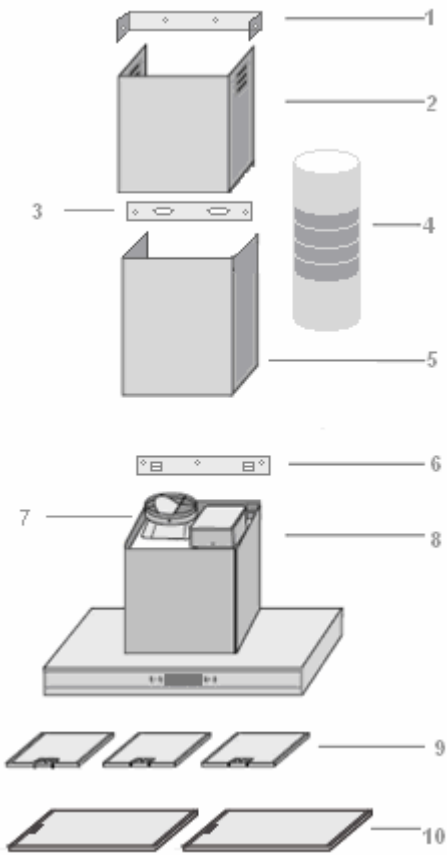
- Packaging materials (eg; polystyrene and plastic items) must be kept out of reach of babies or young children at all times due to risk of suffocation.
- Young children should be supervised to ensure that they do not play with the appliance.
- Ensure the range hood is switched off before carrying out maintenance, to avoid any possibility of electric shock.
- Grease filters must be removed every four weeks (maximum) for cleaning to reduce the risk of fire.
- There must be adequate ventilation of the room when the range hood is used at the same time as appliances burning gas or other fuels.
- Always cover lit gas burners with pots or pans when range hood is in use.
- Always switch off gas burners before you remove pots or pans.
- If the supply cord is damaged, the cord must be replaced by the manufacturer, its service agent or similarly qualified persons in order to avoid a hazard
- Plug must be accessible after installation.

Never to do:

- This range hood cannot be installed for outdoor use.
- It is prohibited to fit the range hood over a solid fuel stove
- This appliance must not be connected to a chimney or vent flue which is in use.
- This appliance is not to be vented into the roof cavity, must exit into open air.
- Exhaust air must not be discharged into a wall cavity, unless the cavity is designed for the purpose.
- This appliance should not be connected to ducting which ventilates rooms with fire places.

Always to do:

- Attention should be given to ensure that any applicable regulations concerning discharge of exhaust air are fulfilled.
- This appliance should be installed and maintained by a suitably qualified and competent person in accordance with the relevant safety regulations.
- Before connecting the appliance to the mains supply, ensure that the voltage and frequency details on the rating plate are consistent with the source of supply.



Accessories bag		
Description	Picture	QTY
User Manual		1
1:1 installation guide template		1
Upper chimney retaining bracket		1
Lower chimney retaining bracket		1
Hood mount bracket		1
Outlet (diameter 150mm)		1
Dry wall anchors plugs		9
Screw (ST4x8mm)		8
Screw (ST4x40mm)		7
Screw (ST4x30mm)		2

Component list:

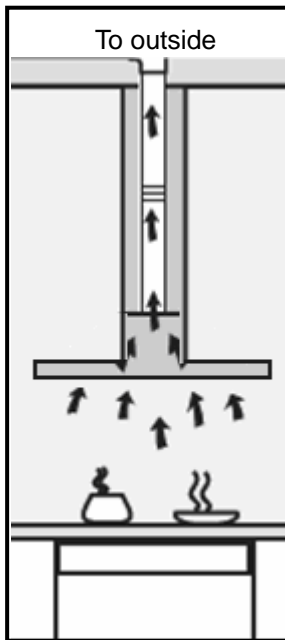
1. Upper chimney retaining bracket
2. Upper decorative chimney (Inner)
3. Lower chimney retaining bracket
4. Flexible exhaust duct
5. Lower decorative chimney (outer)
6. Hood mount bracket
7. Outlet (diameter 150mm)
8. Main body
9. Grease mesh filter for BR603/903TBX
*2 pcs for BR603TBX, 3 pcs for BR903TBX
10. Grease mesh filter for BR603/903AX

Technical data:

Power supply: 220 – 240v, 50Hz
 Motor: 190W
 Lights: 2x20W Halogen lamp
 Length of power cord: 2m
 Air outlet diameter: 150mm

Your range hood can be operated in two modes, choose the mode suitable for your kitchen before installation.

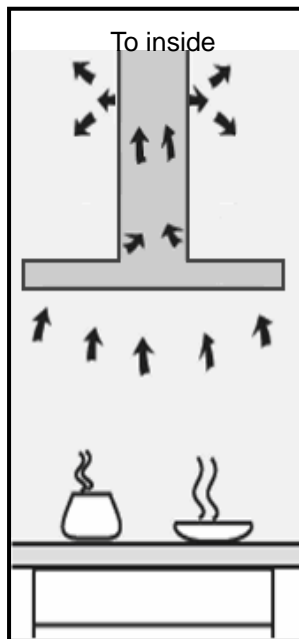
Air Extraction



For air extraction mode, a ducting kit is required, the air is drawn in and cleaned by the grease filters and via the ducting must be directed to the outside atmosphere.

Ducting must be vented to outside atmosphere

Air Recirculation

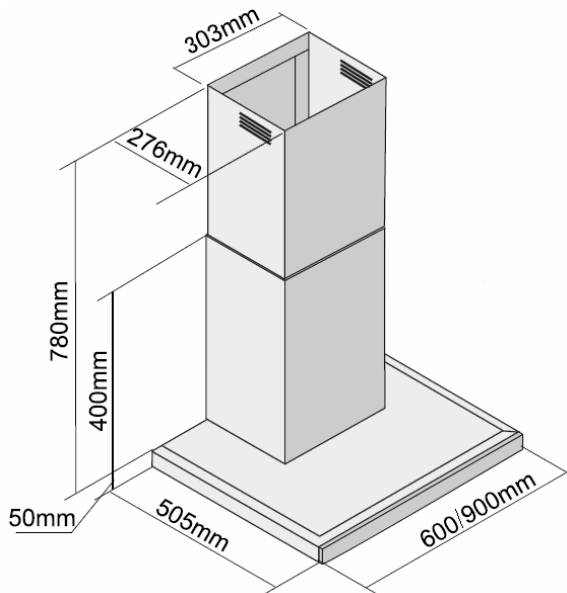


For air recirculation mode, charcoal filter (Optional Accessory) must be installed to eliminate cooking smells.

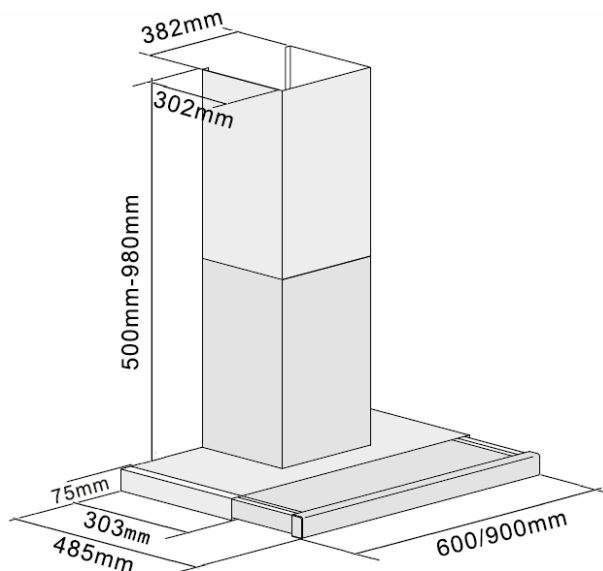
The air is drawn in and cleaned first by the grease filters and then charcoal filter. The cleaned air is then re-circulated back into kitchen through vents in the *Upper Decorative Chimney*.

Dimensions:

BR603TBX/BR903TBX



BR603AX/BR903AX



*Width of BR603TBX and BR603AX is 600mm, width of BR903TBX and BR903AX is 900mm

Installation:

Warning:

Check that the installation complies with the standards of local building, gas and electrical authorities. Before connecting to the mains supply ensure the mains voltage corresponds to the voltage on the appliance rating plate inside the range hood.

When installing the range hood, make sure you adhere to the minimum and maximum distances from the range hood base to the cooktop hob surface.

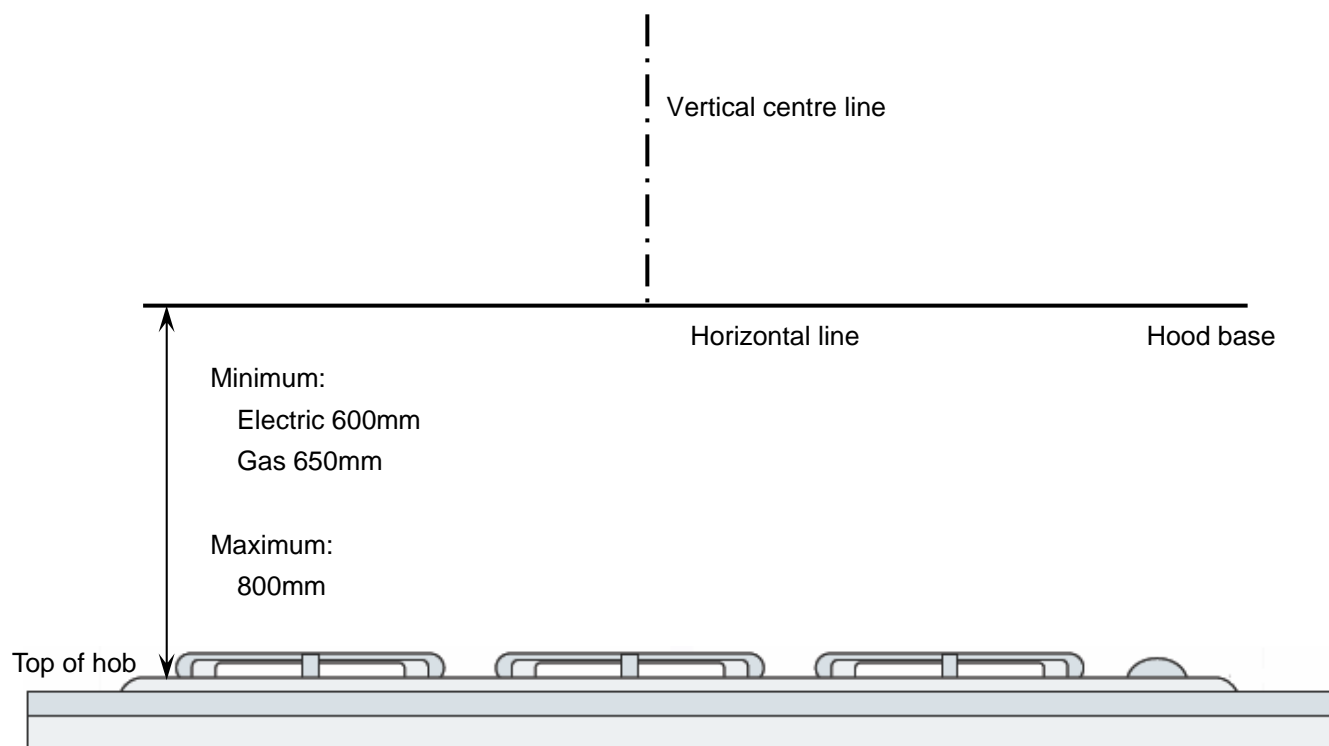
Hints for exhaust duct installation

The following rules must be strictly followed to obtain optimal air extraction

- Keep exhaust duct short and straight
- Do not reduce the size or restrict exhaust duct
- When using flexible duct always install the duct pulled taut to minimize pressure loss
- Failure to observe these basic instructions will reduce the performance and increase noise levels of the range hood
Ensure the exhaust ducting selected for installation complies with relevant standards and is fire retardant.

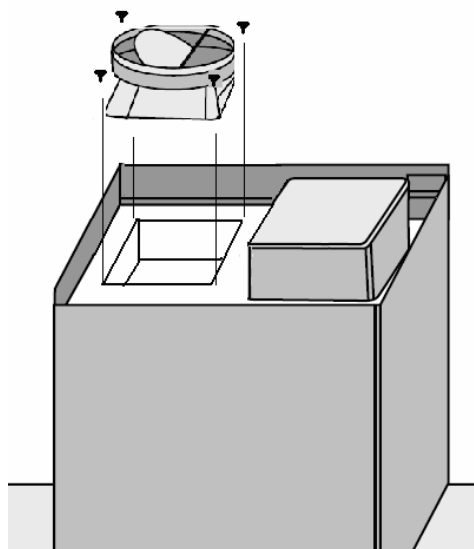
- Using a spirit level, mark a vertical line on the wall (Central to the cook top installed below) to indicate the centre location of the hood and a horizontal line where the hood base will be positioned.

NOTE: The distance from the horizontal line to an electrical cooktop underneath must be minimum of 600mm & 650mm to the gas cook top and a maximum height of 800mm (refer to table below).



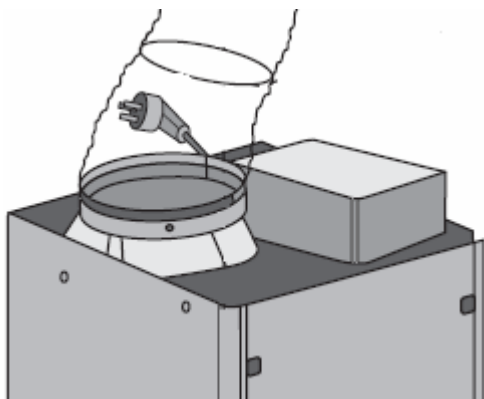
*If the instructions of the hob specify a greater distance than the minimum above, then that shall be the minimum height for installation

- Use the *installation guide template* to determine where screw mount holes should be located. Make sure vertical and horizontal lines on the *installation guide template* superimpose with the lines just drawn on the wall.
- According to the positions just marked as per *installation guide template*, drill holes in the wall and fit *dry wall anchor plugs* into holes.
- Fit the *outlet* on the top of range hood body and retain with *4pcs ST4x8mm screws*.



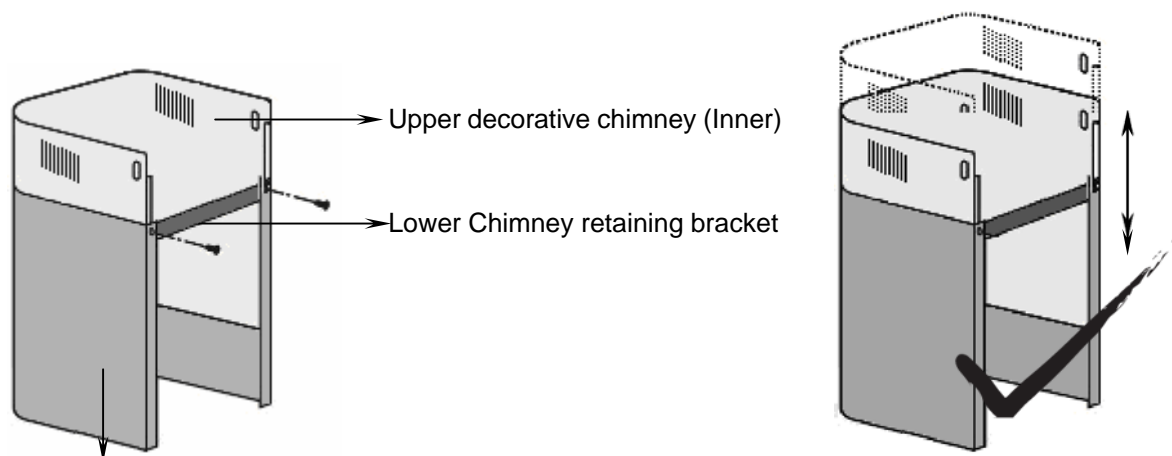
5. Fit the *flexible exhaust duct* onto outlet. (*Air Extraction mode only*)

Note : For the *Air Circulation Mode* option , skip step 5 and proceed with step 6.



6. Place *Upper Decorative Chimney* inside the *Lower Decorative Chimney*.

Connect the *Lower Chimney retaining bracket* to the *Lower Decorative Chimney* with 2 x *ST4x8mm* screws, do not fully tighten, allowing for sufficient clearance to telescopically adjust the *Upper Decorative Chimney* to the desired position when installation is completed.



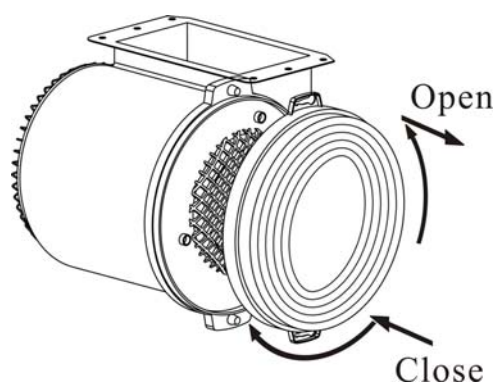
Lower decorative chimney (Outer)

7. Install active Charcoal Filters (*Air Recirculation Mode only*)

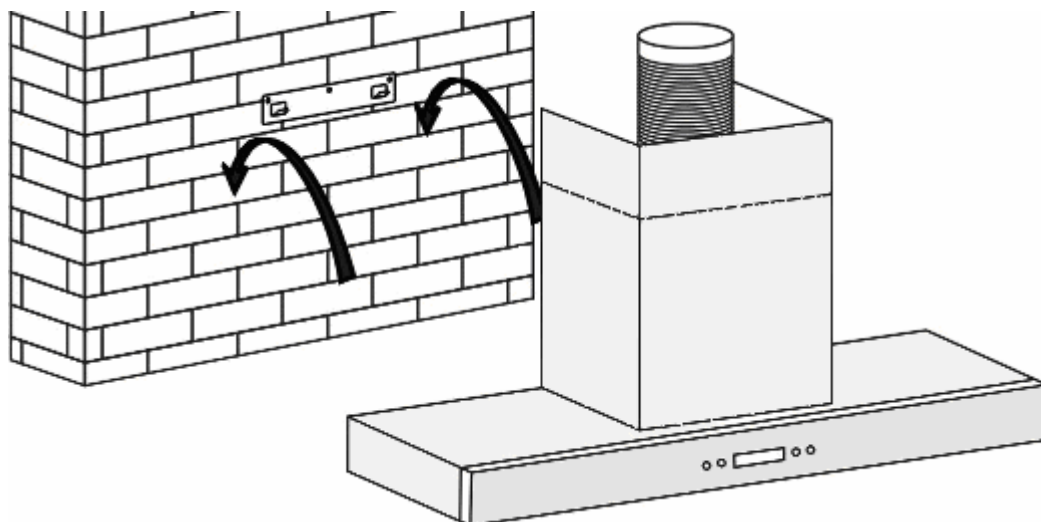
Note: For *Air Extraction Mode* option, skip Step 7 and proceed with Step 8.

Remove grease mesh filters and install active Charcoal Filter (Optional Accessory) onto the fan motor housing (As shown in drawing below).

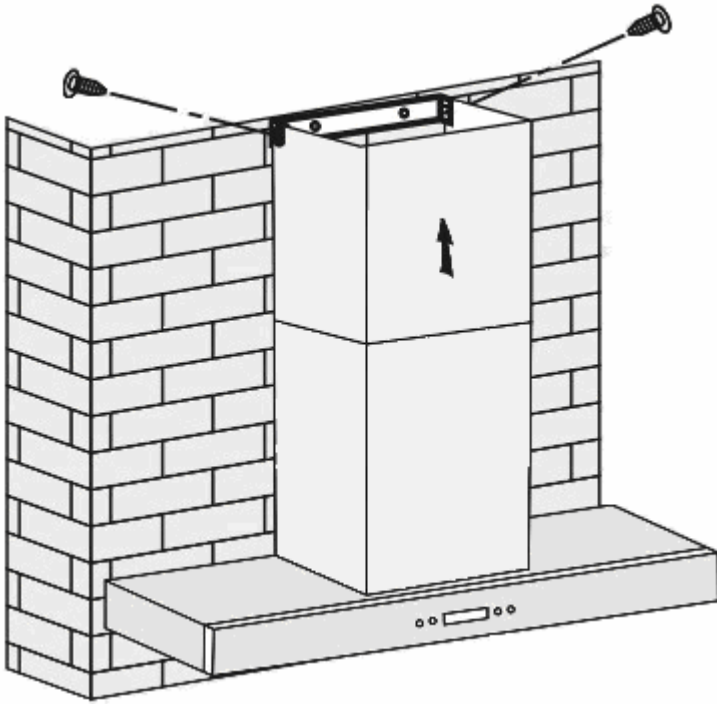
We strongly recommend the installation of Charcoal Filter to absorb cooking odors.



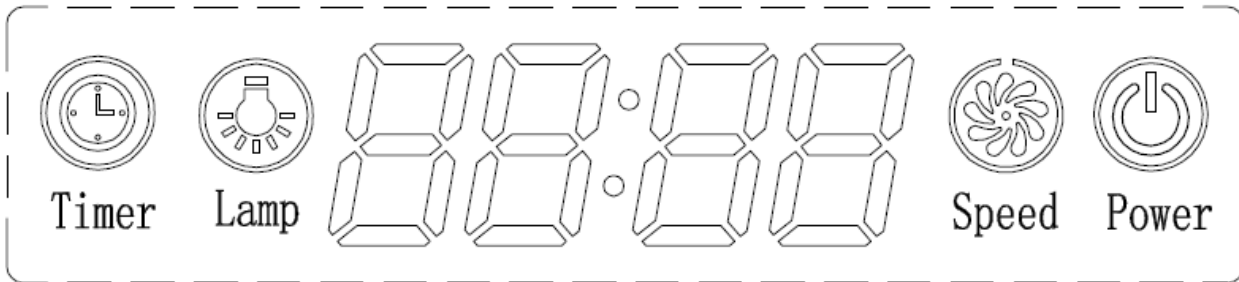
8. Secure the *hood mount bracket* onto wall with 3 x ST4x40mm screws, making sure screws are securely tightened.
9. Position the hood assembly onto the *Hood Mount Bracket*, ensuring that bracket hooks are securely interlocking into the mounting slots of the hood assembly.



10. Secure the base of the hood with 2 x ST4x30mm anti -tilt screws to ensure unit is installed level , mounting holes for the screws are accessible via the fan motor chamber.
11. Fasten the *Lower Chimney retaining bracket* to the wall with 2 x ST4x40mm screws.
12. Plug into the main power supply.
13. Position *the Upper Chimney retaining bracket* at the extended height of the decorative chimney and secure to the wall with 2 x ST4x40mm screws.
 - * Total maximum extension height of BR603TBX and BR903TBX is 780mm, each chimney height is 400mm.
 - * Total maximum extension height of BR603AX and BR903AX is 980mm, each chimney height is 500mm.
14. Extend the *Upper decorative chimney* to the desired height and secure it with 2 x ST4 x 8mm screws to the *chimney retaining bracket*.



15. Remove all blue protective film on chimney and cooker hood, the installation is now finished.



Timer – Clock time setting, auto off

Clock time setting

1. Depress “Timer” for 2 to 5 second, hour digit segment will flash, depress “Speed” to increase and “Lamp” to decrease hour digit until current clock hour time appears.
2. Depress “Timer” again, minute digit segment will flash, depress “Speed” to increase and “Lamp” to decrease minute digit until current clock minute time appears.
3. Depress “Timer” again to confirm and finalize clock time setting

Auto off duration setting

At the end of cooking if the timer is switched on, the range hood will continue to run for an additional duration as you set up to remove any odors that remain at the completion of cooking. After the set up duration the range hood will turn itself OFF. This function is available only when range hood motor is running.

1. Depress “Timer” to enter into this function, default setting is 5:00 min, you can depress “Speed” to increase and “Lamp” to decrease and adjust the duration from 1:00 to 60:00 min.
2. Depress “Timer” again to confirm and finalize auto off duration setting

*Your range hood can remember the last setting, so if no new settings next time, the function will be on according to the last setting.

Lamp – Turn on/off light, decrease digit in timer setting

Speed –select speed to suit cooking conditions, increase digit in timer setting

Low – light frying/boiling

Medium – frying/wok cooking/heavy boiling

High – grilling, intensive frying and wok cooking

Power – Turn on/off the range hood.

*** For BR603/903AX, turn on the range hood, drawer will slide out automatically; turn off the range hood, drawer will slide in automatically.**

Caution:

- Before maintenance or cleaning is carried out, the range hood should be disconnected from the main power supply. Ensure that the range hood is switched off at the wall socket and the plug removed.
- External surfaces are susceptible to scratches and abrasions, so please follow the cleaning instructions to ensure the best possible result is achieved without damage.

GENERAL

Cleaning and maintenance should be carried out with the appliance cold especially when cleaning. Avoid leaving alkaline or acid substances (lemon juice, vinegar etc.) on the surfaces.

STAINLESS STEEL

The stainless steel must be cleaned regularly (e.g. weekly) to ensure long life expectancy.

Dry with a clean soft cloth. A specialized stainless steel cleaning fluid may be used.

NOTE: Ensure that wiping is done along with the grain of the stainless steel to prevent any unsightly crisscross scratching patterns from appearing.

CONTROL PANEL SURFACE

The inlay control panel can be cleaned using warm soapy water. Ensure the cloth is clean and well wrung before cleaning. Use a dry soft cloth to remove any excess moisture left after cleaning.

Important

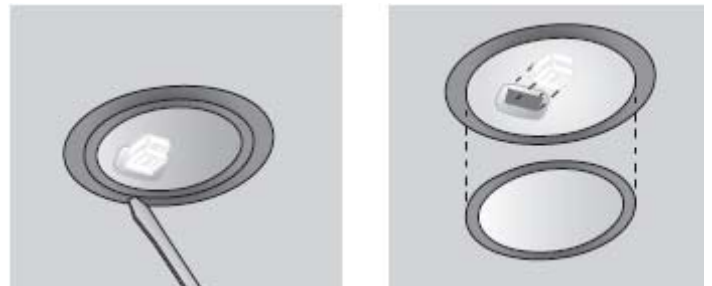
Avoid using harsh cleaning chemicals, strong household detergents or products containing abrasives as this will affect the appliance appearance and potentially remove any printing of artwork on the control panel and will void manufactures warrantee

GREASE MESH FILTERS

The mesh filters can be cleaned either by hand or in

the dishwasher. After cleaning ensure that the filters are completely dry before refitting.

- By hand: Soak in warm water and a neutral washing up liquid. For stubborn grease stains use a soft nylon brush or sponge to help remove these stains. (Leave to dry naturally out of direct sun light)
- In a dishwasher: Ensure that placement of the filters is made so as to not impede the function of the spray arm. Washing the filters in a dishwasher may cause discoloration of the aluminum inner mesh over time although it will not affect their performance. Filters should be washed separately to crockery and kitchen utensils. it is advisable not to use rinse aid.

Replace Lamp

Using a small flat blade screwdriver remove the inner stainless steel ring to obtain access to the halogen globe.

When removing the inner ring, do so carefully so not damage the range hood, as the glass lens could easily fall out of the inner ring. Remove halogen globe, whilst cool, and replace carefully with a new globe. The range hood takes 2 x 20W, 12 volt halogen globes.

Important

When handling globes hold with a cloth or gloves to ensure perspiration does not come in contact with the globe as this can reduce the life of the globe.

The benefits conferred by this warranty are in addition to all implied warranties, other rights and remedies in respect of the product which the consumer has under the Trade Practices Act and similar State and Territory Laws.

The original purchaser of this Bellini product is provided with the following warranty, subject to the following warranty conditions.

This product is warranted for a period of 2 years from the date of purchase for all parts defective in workmanship or materials. Should an instance occur where the product is deemed faulty, the product will need to be returned to the retailer where it was purchased to be replaced free of charge or a refund issued. In order to obtain an exchange or a refund, proof of purchase must be presented to the retailer.

WARRANTY CONDITIONS

1. This warranty is only valid for appliances installed and used according to the manufacturer's instructions.
2. This warranty does not apply to damage caused if your appliance has been dismantled, repaired or serviced by any person other than someone authorized by the Company.
3. If you live outside the service area of the Company or one of its service agents, this warranty does not cover the cost of transport of the appliance for service nor the service agent's traveling costs to and from your home.
4. If you are required to transport the appliance to the Company or its service agent, you must ensure it is securely packed and insured. The Company does not accept any responsibility for loss or damage of the appliance prior to it being received

You may not make claim under this warrantee unless the defect claimed is due to faulty or defective parts or workmanship. GSM Sales is not liable in the following situations (which are not exhaustive): 1. accident, 2. misuse or abuse including failure to maintain, 3. normal wear and tear, 4. power surges, electrical storm damage or incorrect power supply, 5. incorrect or incomplete installation, 6. incorrect operation and use, 7. any modification to appliance without consent, 8. the appliance is serviced by anyone other than a GSM Sales authorized service agent.

by the Company or its service agent.

5. This warranty does not cover loss, damage or expense to this appliance caused directly or indirectly by power surges, electrical storm damage or connected to incorrect power supply.
6. The Company (and any company related to the Company) will not be liable for any special, incidental or consequential damages or for loss, damage or expense or for personal injury or loss or destruction of property arising directly or indirectly from the use or inability to use this appliance or any of its parts.
7. Warranty will only be given where proof of purchase is provided, e.g. original invoice.
8. Not designed or warranted for industrial or commercial use (Commercial use applies to shops, offices, schools, factories & workshops etc.).

DO NOT SEND IN THIS WARRANTY

Fill out the following details and file with your purchase invoice.

RETAIN & FILE WITH YOUR RECEIPT

Your Purchase Receipt/Invoice is proof of date of purchase. You must be able to present it at the place of purchase to obtain a replacement or a refund.

GSM Sales Pty Ltd reserves the right to discontinue items, modify designs and change specifications without incurring obligation.

Whilst every effort is made to ensure that descriptions, specifications and other information in this publication is correct, no warranty is given in respect thereof and the company shall not be liable for any errors therein.

**For warranty service connect 1300373199
to connect you to the nearest authorized
service center**

Purchased from: _____

Co. Name: _____

Address: _____

Date of Purchase: _____

NOTE: Consistent with our continuing product development policy, improvements may have been made which render the contents of this package slightly different to that shown.

NOTES:

G | S | M

Gerard Sourcing & Manufacturing

GSM Sales Pty Ltd.

The GSM Sales Pty Ltd. Group of Companies has a policy of continual improvement throughout the product range.
As such the unit contained within may differ slightly from the unit illustrated on the pack.

MADE IN CHINA for the GSM Sales Pty Ltd. Group of Companies
Bellini is a registered trademark of GSM Sales Pty Ltd.



N1028