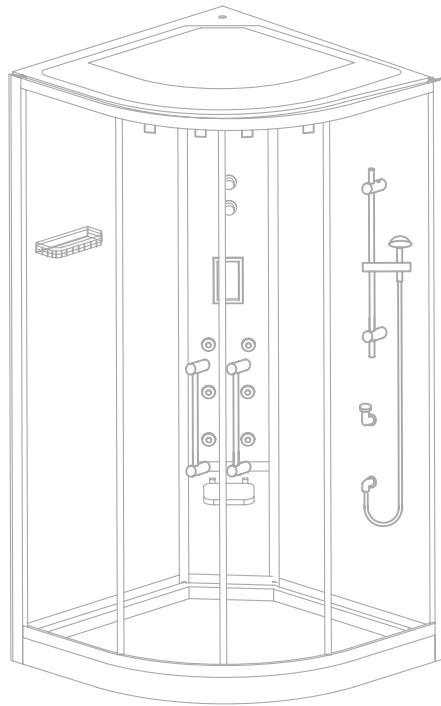




ABNEY STEAM SHOWER ENCLOSURE

INSTALLATION AND USER MANUAL



CONTENTS

Steam Shower Enclosure Installation	2
Technical Information.....	2
Plumbing Requirements.....	2
Assembly	3
Tools and Materials.....	3
Installation.....	3
Safety Information	10
Steam Cabin Technical Specifications	11
User Manual	11
LCD Display.....	11
Control Panel.....	12
Steam Generator Cleaning	16
Troubleshooting	17



STEAM SHOWER ENCLOSURE INSTALLATION

Before you begin, read the following installation and care instructions. Observe all local plumbing, building, and electrical codes.

Unpack and inspect the product for any shipping damages. If you find damages, do not install. Contact Customer Service at 1.866.855.2284. If you need assistance or have questions while installing your shower enclosure, contact Customer Service.

We recommend that all plumbing and electrical rough-in work be completed by a professional prior to shower enclosure assembly. Signature Hardware accepts no liability for any damage to the enclosure, walls, floor, or for personal injury during installation.

TECHNICAL INFORMATION

- 220 volt, 20 amp GFCI breaker
- Line 1, line 2 and ground (1 dedicated line for steam)
- The size of breakers and wire gages is determined by local, state, and national codes as interpreted by the installing electrician.

PLUMBING REQUIREMENTS

- This unit is equipped with hot and cold braided water supplies with ½" NPT pipe threads.
- Install hot and cold shut off valves with ½" male NPT pipe threads to connect to water supplies.
- Tighten all connections prior to installation.
- We recommend preparing the drain location with the shower enclosure base on site. A drain pipe 2" in diameter is required, hose can stretch 6".



ASSEMBLY

TOOLS AND MATERIALS:

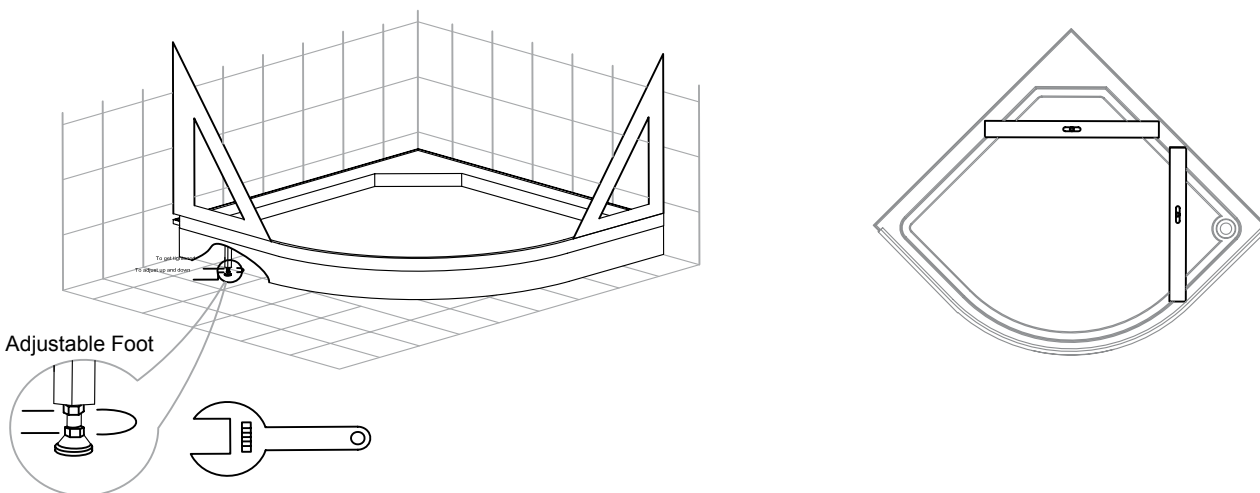
Level
Caulking Gun
Set Square

Screwdriver
Adjustable Wrench
Rubber Mallet

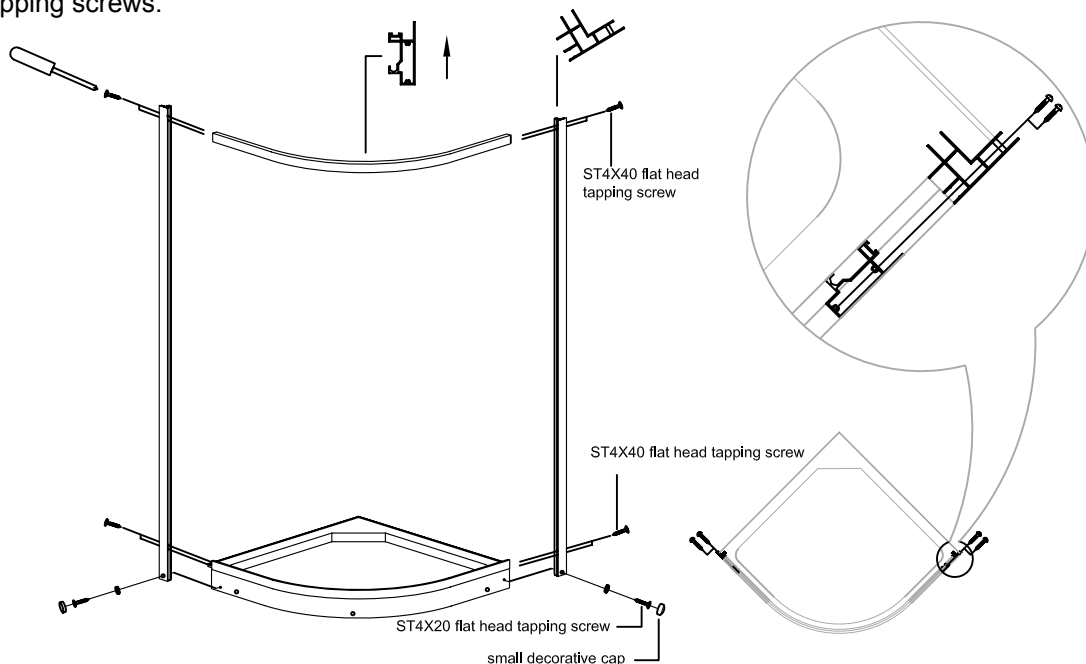
Silicone Sealant
Drill

INSTALLATION

1. Set the shower tray in place. Place a level on the tray and adjust the tray legs as necessary until completely straight. Each leg should be touching the floor.



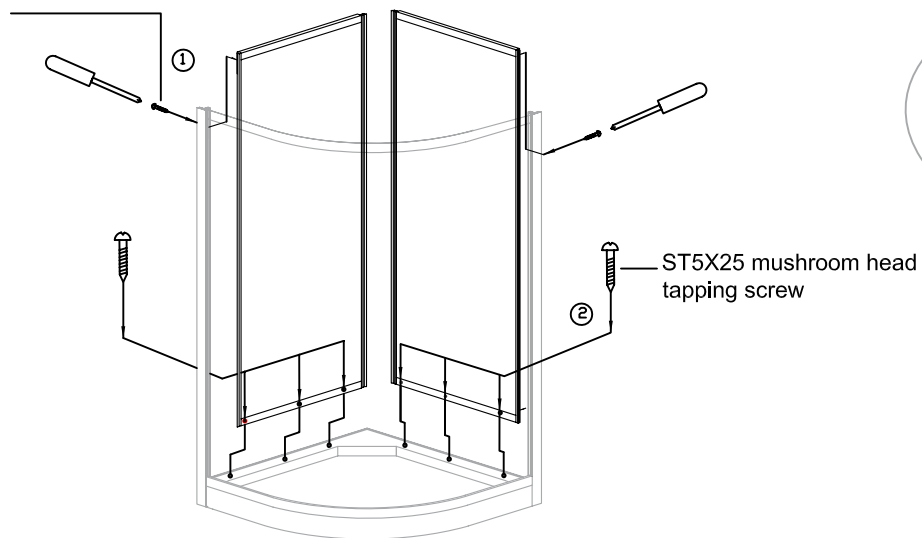
2. Install the door frame by connecting the wall posts and top rail to the shower tray with the ST4 x 50 mm and ST4 x 12 mm tapping screws.



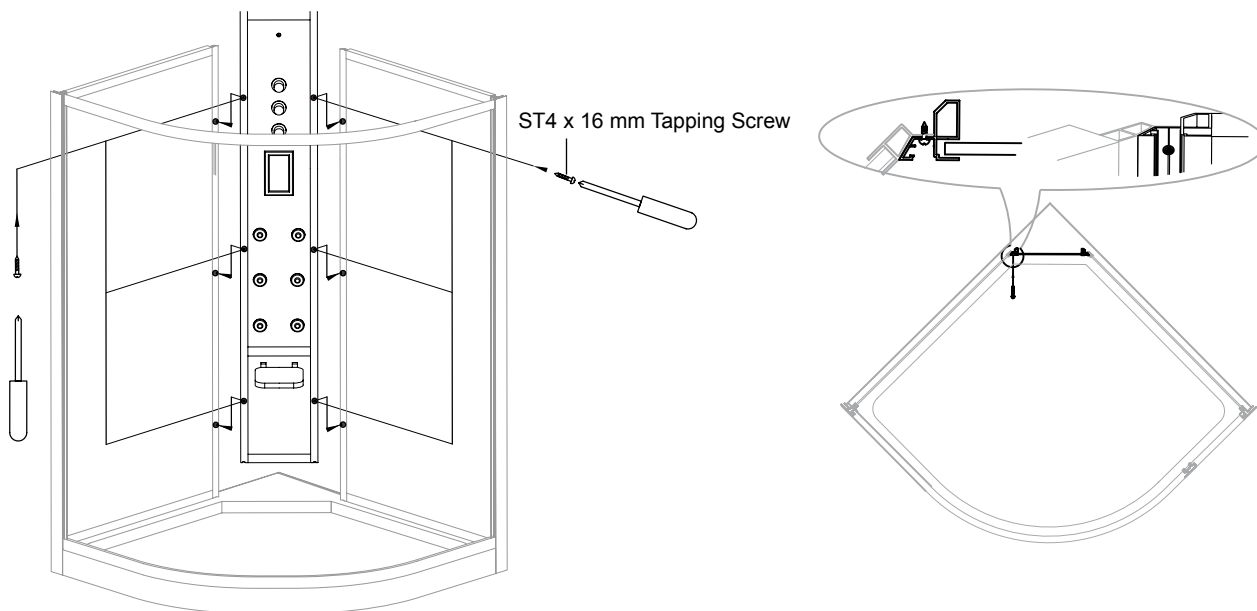


3. Attach the wall panels to the door frame and shower tray with the ST4 x 12 mm and ST5 x 20 mm tapping screws.

ST4X12 mushroom head tapping screw

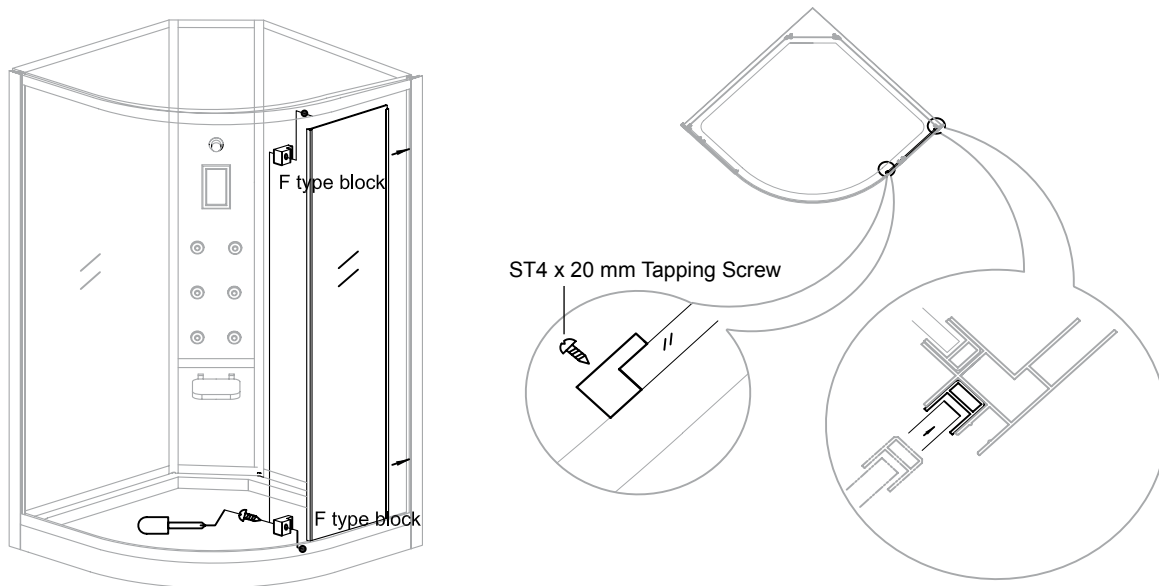


4. Attach the back column to the wall panels and shower tray with the ST4 x 16 mm tapping screws.



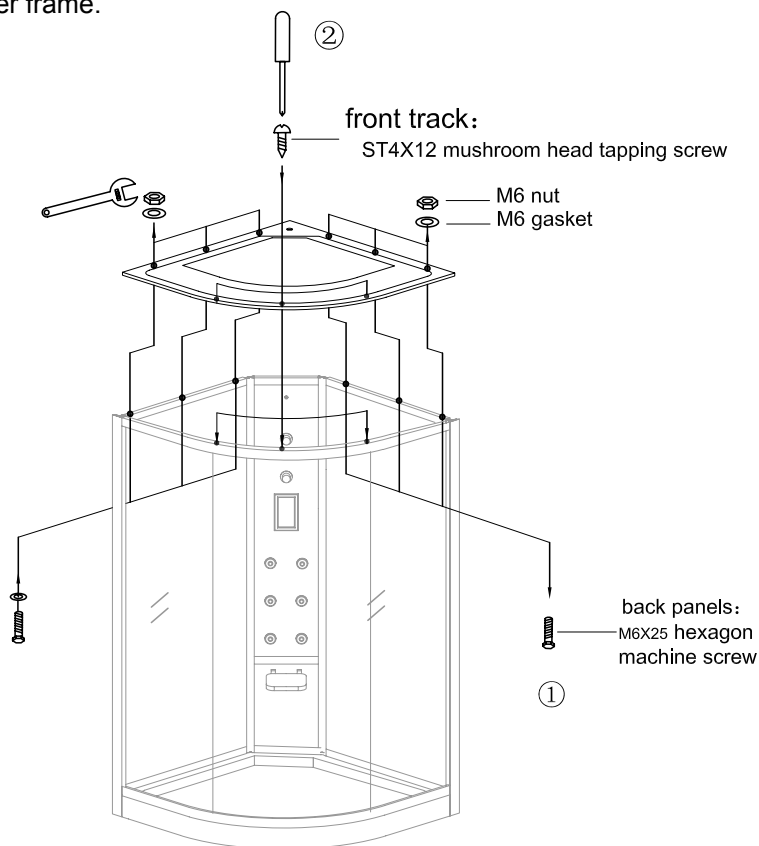


6. To install the fixed door panel, place one side of the door panel into the shower frame and the other onto the track. Attach brackets to both sides of the door panel with the ST4 x 20 mm tapping screws.



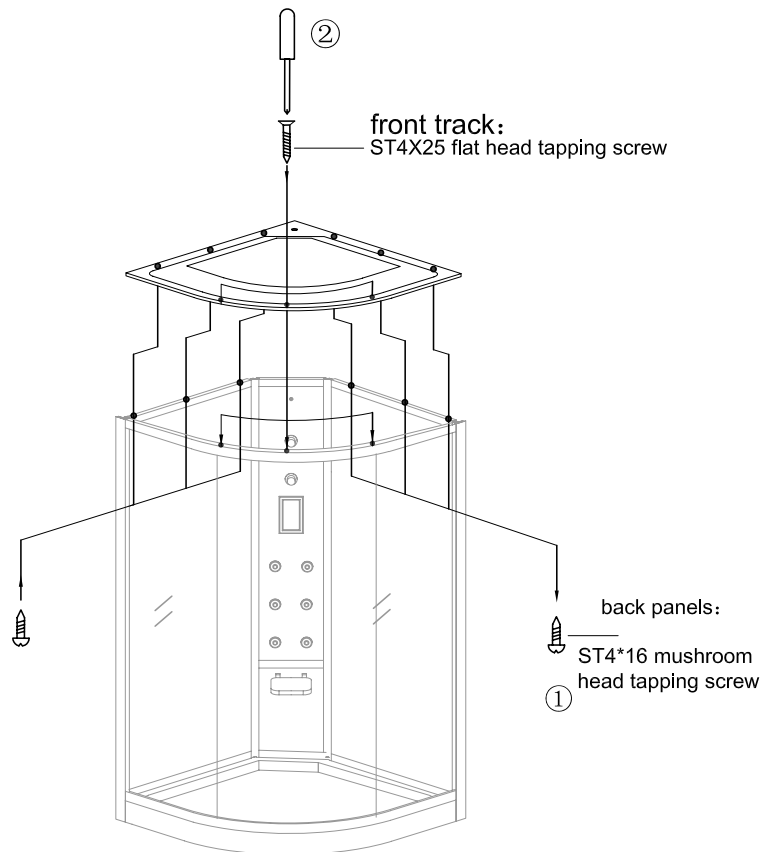
7. Attach the top cover to the shower frame.

7A. Acrylic Cover

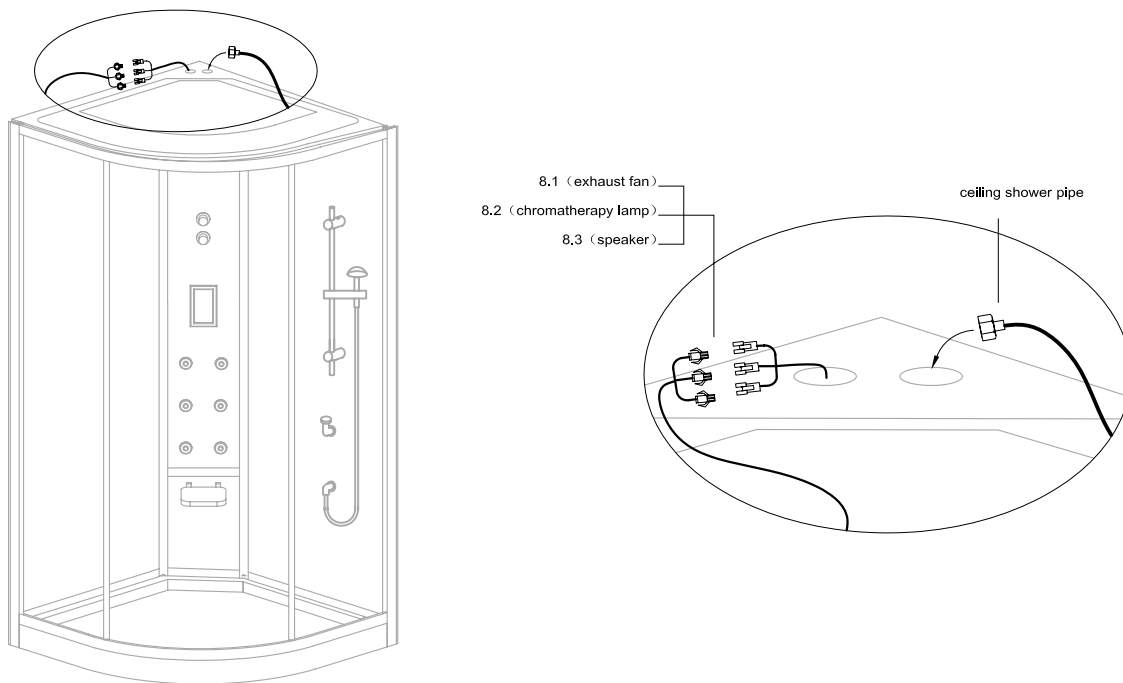




7B. Wooden Cover

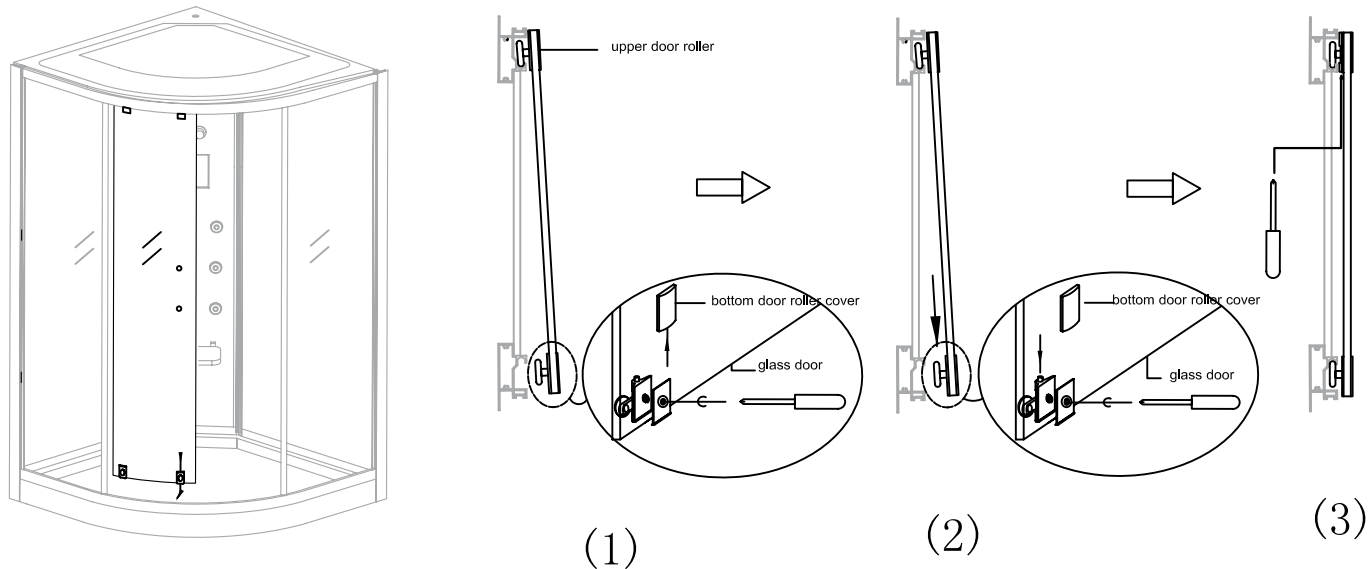


8. Connect the flexible water feed tubes and electrical wires to the corresponding outlets.

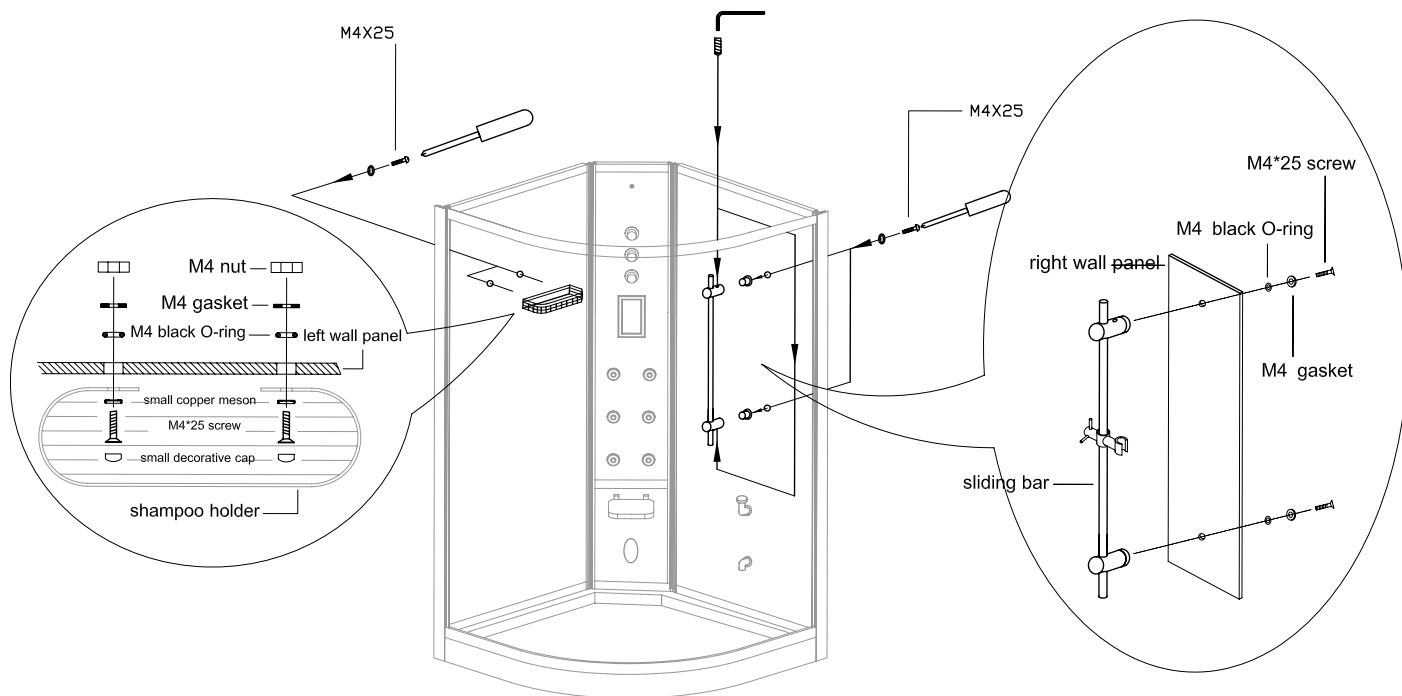




9. To install the sliding shower door, wedge the upper wheel into the upper track. Remove the cap from the lower wheel and loosen the set screw. Wedge the lower wheel into the lower track. Tighten the set screw and replace the cap. Adjust the wheels as necessary so that the door can open and close smoothly.

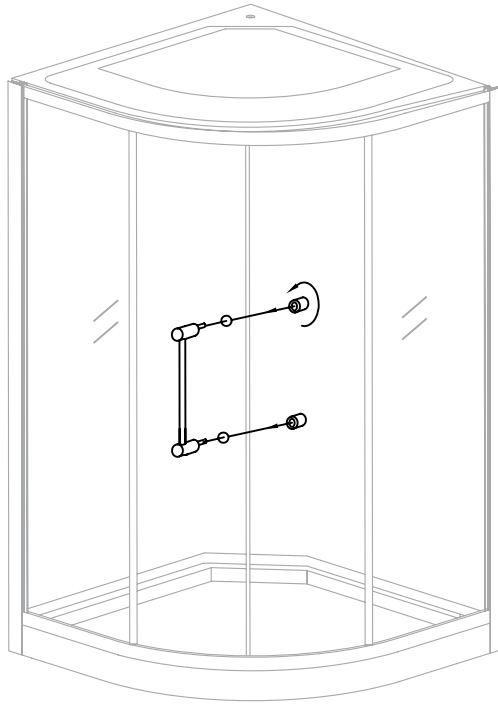


10. Attach the hand spray slide bar and shower basket.

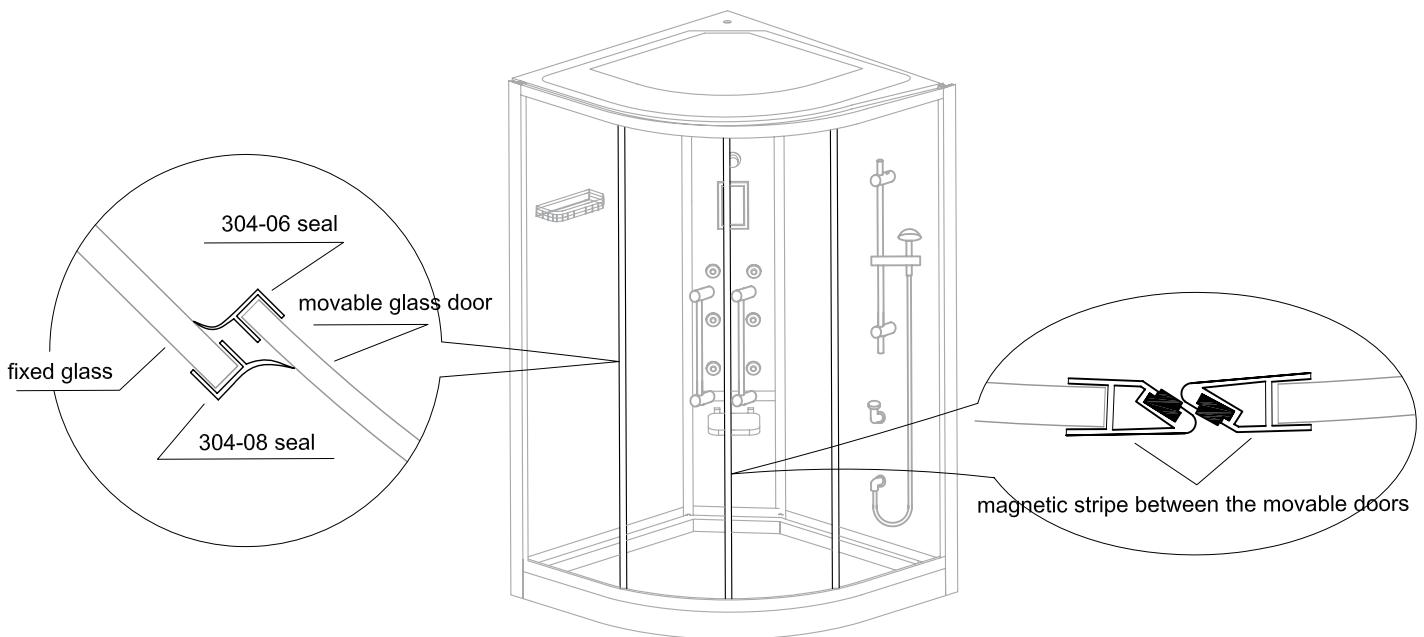




11. Attach the door handle.

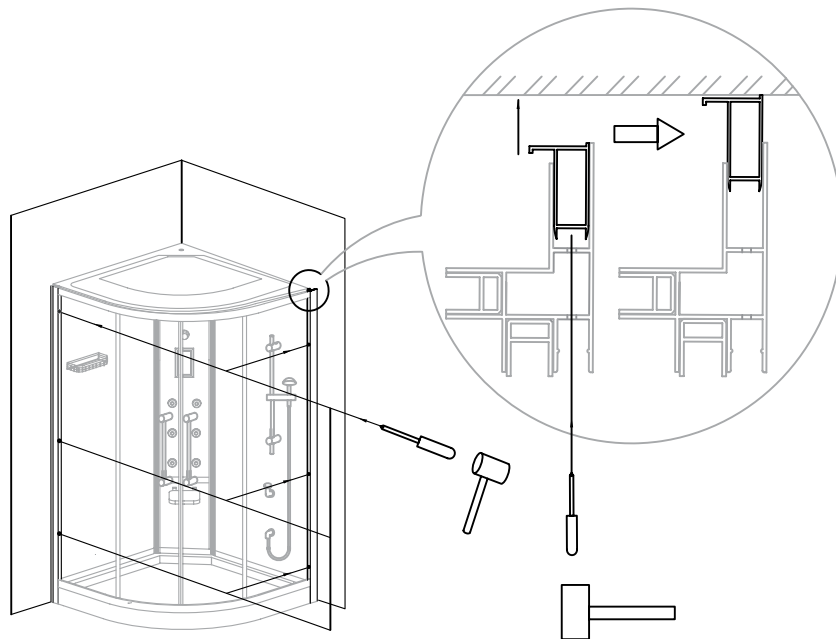


12. Install the seal strips according to the drawing specifications to prevent leakage.

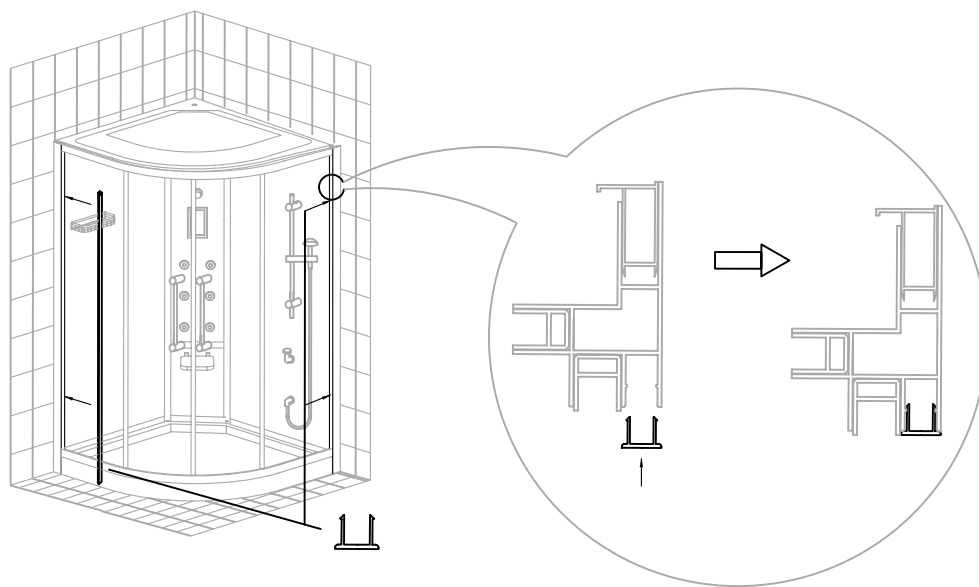


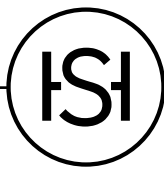


13. Connect the shower enclosure to the main water supply and electricity. Push the shower into place if necessary. Use a screwdriver and rubber mallet to push the seal strips inside the door frame flush against the wall.

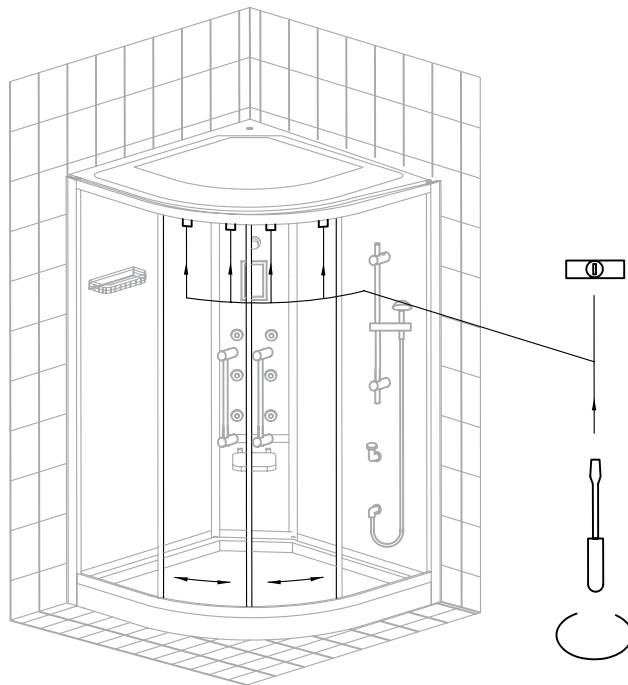


14. Install any decorative trim pieces.





15. Use a small screwdriver to adjust the door wheels to make sure that the gap between the door and seal strips is as narrow as possible and the door is sliding smoothly.





SAFETY INFORMATION

- When using this unit, basic safety precautions should always be followed.
- Children under the age of 16 should not be permitted to use the steam shower enclosure.
- Use this unit only for its intended purposes as described in this manual. Do not use any additional attachments not recommended by the manufacturer.
- Never drop or insert objects into openings in the steam shower enclosure.
- The unit must be connected to a supply circuit that is protected by a ground-fault circuit-interrupter (GFCI). The appropriate GFCI should be provided by the installer and should be tested on a routine basis.
- To test the GFCI, push the **Test** button. The GFCI should power off. Push the **Reset** button to restore the power. If the GFCI fails to operate in this matter, it is defective.
- If the GFCI fails to provide power to the shower enclosure and a ground current is flowing the user could potentially incur an electric shock. Do not use the shower enclosure and repairs performed by a qualified electrician before using.
- A green-colored terminal (or wire connector marked “G”, “GR”, or “Ground”) is provided within the front column. To reduce the risk of electric shock, connect this terminal or connector to the grounding terminal of your electric service or supply panel with a connector equivalent in size to the circuit of the conductors supplying this equipment.

To reduce the risk of injury:

- The wet surfaces of steam enclosures may be slippery. Use care when entering or leaving.
- The steam head is hot. Do not touch the steam head and avoid the steam near the steam head.
- Prolonged use of the steam system can raise internal body temperature and impair your body's ability to regulate temperature (hyperthermia). Limit steam use to 10 – 15 minutes at a time until you are certain of your body's reaction.
- Excessive temperatures have a high potential for causing fetal damage during the early months of pregnancy. Pregnant or possibly pregnant women should consult a physician regarding correct exposure.
- Obese persons and persons with a history of heart disease, low or high blood pressure, circulatory problems, or diabetes should consult a physician before using the steam system.
- If using medication, consult a physician before using the steam system as some medication may induce drowsiness or affect heart rate, blood pressure and circulation.

Hyperthermia warning:

Hyperthermia occurs when the internal temperature of the body reaches a level several degrees above the normal body temperature of 98.6° F. The symptoms of hyperthermia include dizziness, lethargy, drowsiness, and fainting. The effects of hyperthermia include:

- Failure to perceive heat
- Failure to recognize the need to exit the steam shower
- Unawareness of impending risk
- Fetal damage in pregnant women
- Physical inability to exit the steam shower
- Unconsciousness

WARNING – The use of alcohol, drugs, or medication can greatly increase the risk of hyperthermia



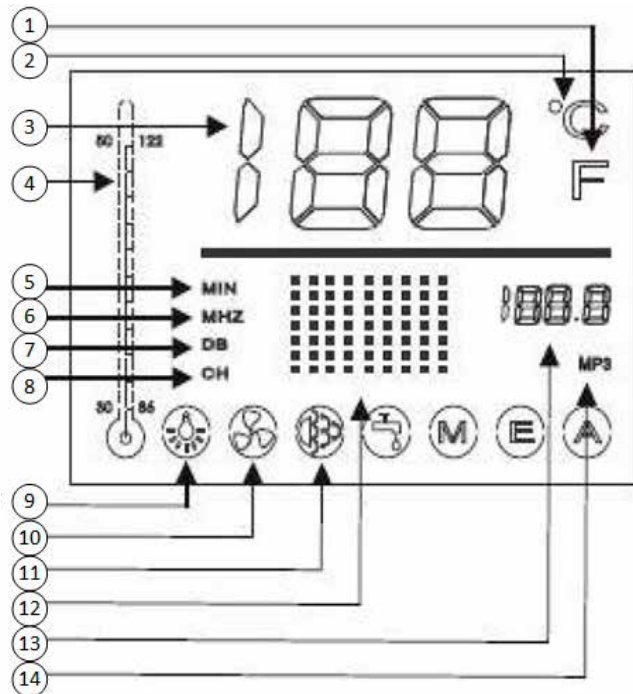
STEAM CABIN TECHNICAL SPECIFICATIONS

Rated Power: 3.0 KW
Rated Voltage: AC240V
Rated Electric Current: 16A
Frequency: 60 Hz
Power Supply Location: Wall
Water Supply: 1/2" NPT pipe thread, hot/cold water
Water Supply Location: Wall
Diameter of Drainage Pipe: 1-1/2" flex pipe
Length of Drainage Pipe: 39"

USER MANUAL

LCD Display


1. Fahrenheit
2. Celsius
3. Temperature
4. Temperature Indicator
5. Timer Setting
6. FM Radio Function
7. FM Radio Volume
8. FM Radio Channel
9. Chromatherapy ON/OFF
10. Fan ON/OFF
11. Steam ON/OFF
12. Power ON Indicator
13. FM Radio Channel
14. MP3 ON/OFF





CONTROL PANEL

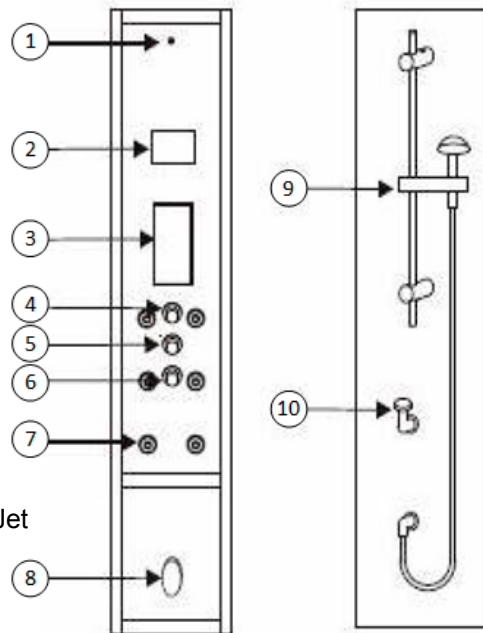
Steam Cabin Control Panel



- Power ON/OFF
- Steam Temperature Setting
- Steam Timer Setting
- Fan ON/OFF
- Chromatherapy
- Steam ON/OFF
- MP3
- Radio
- Volume/Channel
- Radio Settings
- + Adjustment
- Adjustment

Steam Cabin Control Parts

1. Steam Temperature Sensor
2. LCD Display
3. Control Panel
4. Water Diverter
5. Water Volume Adjustment
6. Water Temperature Adjustment
7. Back Massage Jet
8. Steam Outlet
9. Hand Shower Set
10. Steam Generator Cleaning Liquid Jet



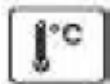


CONTROL PANEL



Power ON/OFF

Push any button to light the display (**Image 1**). Push the **Power** button to turn the system on (**Image 2**) and off. When the power is turned off, the display and background light shuts off immediately while the drain valve for the steam generator remains running for one minute.



Steam Temperature Setting

The default steam temperature setting is 113 degrees. To adjust the temperature, push the **Steam Temperature Setting** button (**Image 3**) until the desired temperature is reached. When the cabin temperature reaches 4 degrees above the set temperature, the steam generator automatically shuts off. When the cabin temperature reaches 4 degrees below the set temperature the steam generator automatically turns on.



Steam Timer Setting

The default steam timer setting is 45 minutes. To adjust the timer setting, push the **Steam Timer Setting** button (**Image 4**) until the desired time is reached. The system automatically shuts off at the end of the specified time.

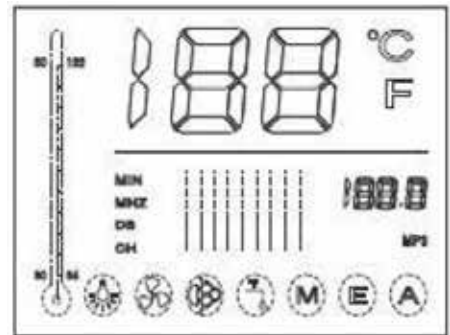


Image 1

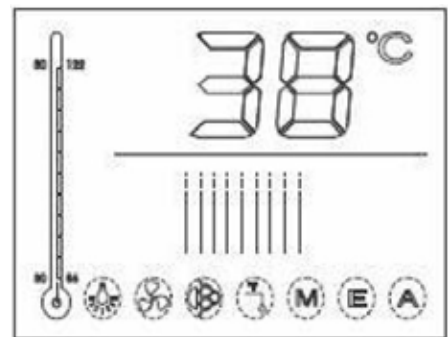


Image 2

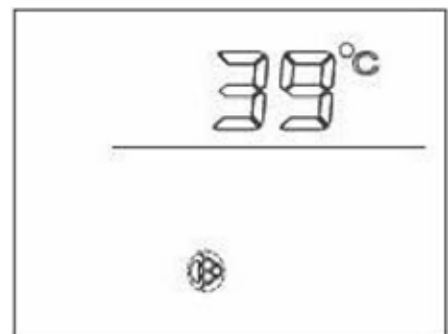


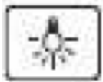
Image 3



Image 4



CONTROL PANEL



Chromatherapy

The **Chromatherapy** button controls the color of the chromatherapy lights. The chromatherapy symbol on the LCD display flashes when the chromatherapy lights are turned on (**Image 5**). Press the **Chromatherapy** button to adjust the turn the lights on and off and to adjust the lights as desired.

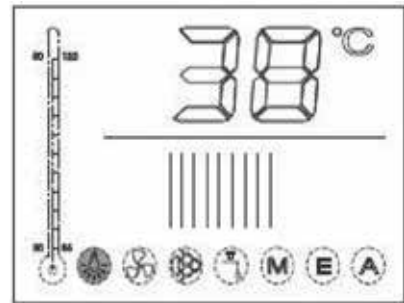


Image 5

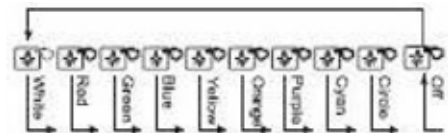


Image 6



Fan ON/OFF

The **Fan** button turns the ventilation fan on and off. When the fan is running, the fan symbol on the LCD display flashes.

Hold the **Fan** button in for 3 seconds to switch the display from Celsius to Fahrenheit (**Image 7-8**).

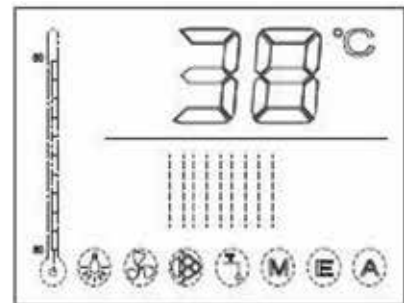
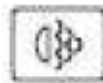


Image 7



Steam ON/OFF

Push the **Steam ON/OFF** button to turn the steam function on (**Image 9**). When the steam function is on the steam ON/OFF symbol flashes. The steam function is automatically turned off when the cabin temperature reaches 4 degrees higher than the set temperature and on when the temperature drops to 4 degrees below the set temperature.

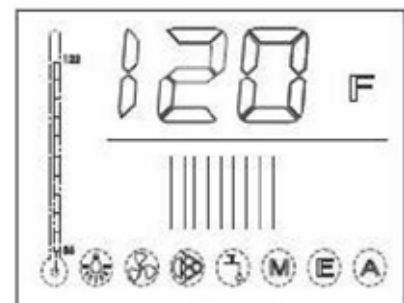


Image 8

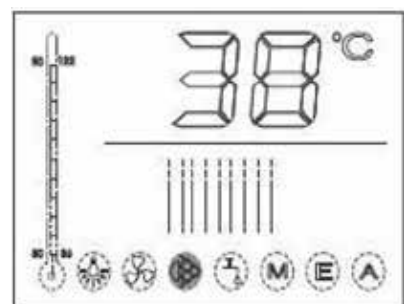


Image 9



CONTROL PANEL



MP3

Press the **MP3** button to select the MP3 function. Adjust the channel to match the channel set on the MP3 emitter. Hold the **MP3** button in for 3 seconds to set the channel and volume.

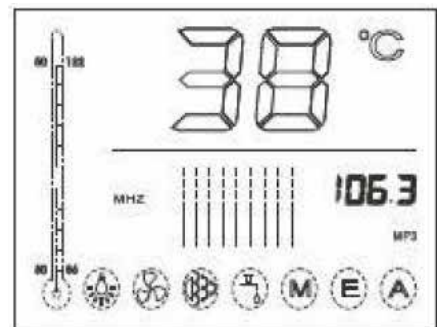


Image 10



FM Radio ON/OFF

Push the **FM Radio ON/OFF** button to turn the radio function on. When the radio is on the FM Radio ON/OFF symbol flashes. The channel will default to that last selected.

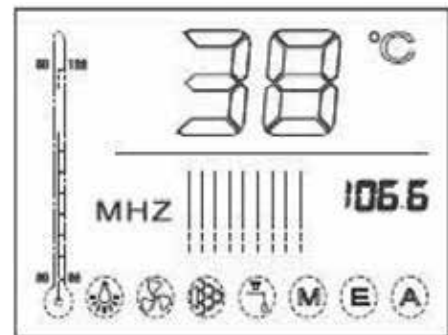




Image 11



Volume/Channel

Push the **Volume/Channel** button with the radio on (**Image 12**) to adjust the volume. Push the   buttons to make adjustments as necessary.

To change the channel, press the button twice when the radio is on (**Image 13**). Push the   buttons to scan.

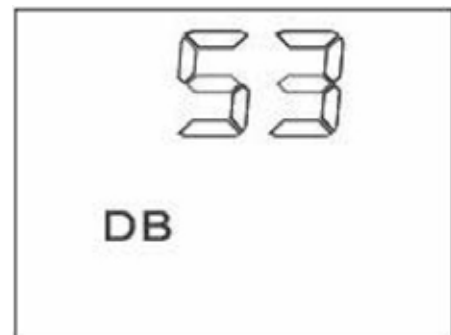


Image 12



Image 13



CONTROL PANEL



Radio Settings

Selecting and saving preset radio stations:

- Turn the radio on.
- Push the **Radio Settings** button twice to display the preset numbers 1-8 (**Image 14**).
- Scan to the desired station and hold the **Radio Settings** button until the appropriate preset number is displayed.

Finding a preset station:

- Turn the radio on.
- Push the Radio Settings button to scan through the preset stations.



Image 14

STEAM GENERATOR CLEANING

To clean the steam generator, remove the cover from the cleaning liquid inlet. Input 1L of mild detergent. Turn the steam function on to fill the generator with water. Before steam is released, turn the steam function off. Do not shut off the control system, the system will drain the dirty water automatically after 60 minutes. Repeat these steps to clean the steam generator every 3 months.





TROUBLESHOOTING

If the touch panel is not functioning properly:

- Check the connection from the control panel to the power box. If the control panel and power box are properly connected and problems persist it may be necessary to replace the panel or box.

If the steam function is ON but no steam is being released into the cabin:

- Check to ensure the water supply valve has not been shut off. Turn the water supply valve on if necessary.
- Remove the scale on the water level sensor and clean with warm water and a mild detergent. Replace the scale if it appears to be broken.
- Make sure that the temperature setting is not lower than the room temperature. Reset the temperature if necessary.
- Replace the thermal switch inside the heater.
- If all parts appear to be clean and in working order and problems persist it may be necessary to replace the heater.

If water does not stop being added to the steam generator:

- Replace the water inlet valve.
- Remove the scale on the water level sensor and clean with warm water and a mild detergent. If problems persist it may be necessary to replace the scale.

If the unit will not turn ON:

- Replace the heater or thermal switch.

If water is leaking from the valve:

- Replace the valve seal.

If the water flow volume is low:

- Impurities in the water supply can clog the filter resulting in low water flow. To remove clogs, remove the filter and rise with warm water.