

Sunbeam[®]

6 Speed Blender

USER MANUAL



Model

4181

IMPORTANT SAFEGUARDS

READ ALL INSTRUCTIONS BEFORE USE.

When using electrical appliances, basic safety precautions should always be followed, including the following:

- Read all instructions. Keep these instructions for future use.
- Verify that the voltage in your home corresponds to that of your appliance.
- To protect against risk of electrical shock, **do not** put cord, plug, base, or motor in water or other liquid.
- Close supervision is necessary when any appliance is used by or near children.
- Unplug cord from outlet when not in use, before putting on or taking off parts and before cleaning.
- Avoid contact with moving parts.
- Do not** operate any electrical appliance with a damaged cord or plug or after the appliance malfunctions or has been dropped or damaged in any manner. Return appliance to nearest Sunbeam Appliance Authorized Service Center for examination, electrical repair, mechanical repair, or adjustment.
- The use of attachments, including canning jars, not recommended by the manufacturer may cause a risk of injury to persons.
- Do not** use outdoors.
- Do not** let cord hang over the edge of a table or counter or touch hot surfaces, including the stove.
- Keep hands and utensils out of container while blending to reduce the risk of severe personal injury and/or damage to blender. A rubber spatula may be used but must be used only when blender is not running.
- Do not** use a broken, chipped or cracked blender jar.
- Do not** use broken, cracked or loose cutting blades.
- To reduce the risk of injury, **never** place cutting blades unit on base without jar properly attached. Blades are sharp. Handle carefully.
- Always operate blender with cover in place.
- When blending hot liquids, remove center piece of two-piece cover. **Do not** fill blender container beyond 3-cup level. Always begin processing at the lowest speed setting. Keep hands and other exposed skin away from the cover opening to prevent possible burns.

- ❑ Screw on blade assembly firmly. Injury can result if moving blades become exposed.
- ❑ If the jar should turn when the motor is switched ON, switch OFF immediately and tighten blade assembly.
- ❑ **Do not** leave blender unattended while it is operating.
- ❑ To disconnect cord, turn the control to OFF, then remove the plug from wall outlet.
- ❑ **Do not** use appliance for other than intended purpose.

THIS UNIT IS FOR HOUSEHOLD USE ONLY.

- ❑ This appliance intended for household use only. Use for food or liquids only.
- ❑ This appliance is equipped with a polarized plug. This type of plug has one blade is wider than the other. This plug will fit in a polarized outlet only one way. This is a safety feature intended to help reduce the risk of electrical shock. If you are unable to insert the plug into the outlet, reverse the plug. If it the plug should still fail to fit, contact a qualified electrician to replace the obsolete outlet. **Do not** attempt to defeat this safety purpose of the polarized plug by modifying the plug in any way.
- ❑ The length of the cord used on this appliance was selected to reduce the hazards of becoming tangled in, or tripping over a long cord. If a longer cord is necessary an approved extension cord may be used. The electrical rating of the extension cord must be equal to or greater than the electrical rating of the blender. Care must be taken to arrange the extension cord so that it will not drape over the countertop or tabletop where it can be pulled on by children or accidentally tripped over.
- ❑ If the blender blades lock and **do not** move, it will damage the motor. Do not use. Call the toll-free customer service number for information.
- ❑ **Do not** place blender in the freezer filled with food or liquid. This will freeze and damage the blade assembly, jar and motor.

SAVE THESE INSTRUCTIONS

Welcome

Congratulations on your purchase of Sunbeam® Model 4181 Blender. Your product includes the following features:

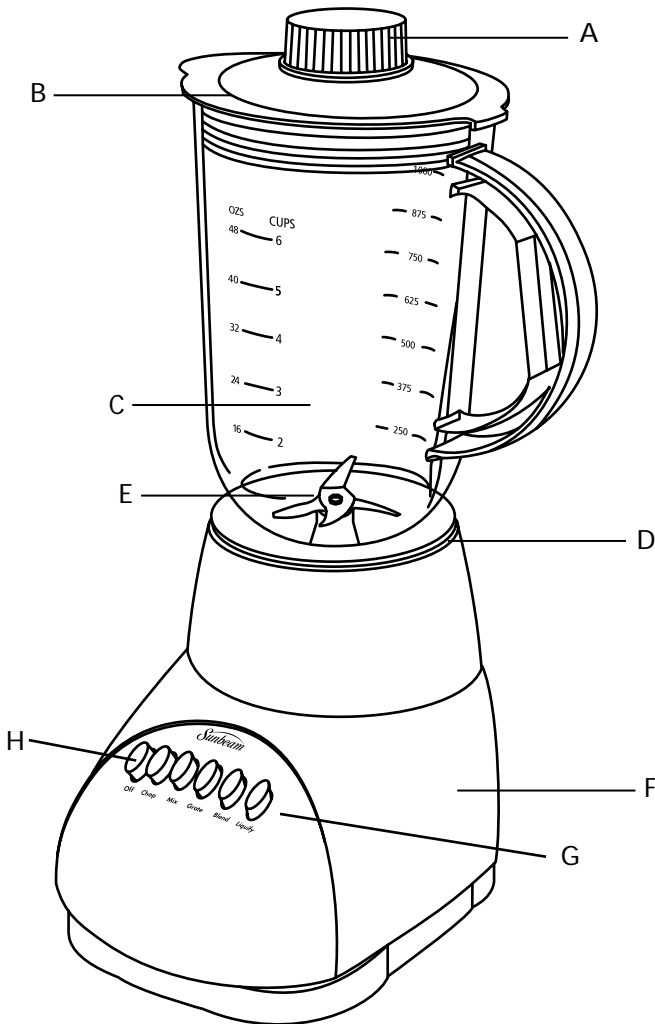
A total of 6 Speeds including a pulse function for continuous and controlled cycle operation.

Table of Contents

| | |
|--------------------------------|--------------|
| Important Safeguards | Inside Cover |
| Welcome | 2 |
| Learning About Your Blender | 3 |
| Using Your Blender | 4 |
| Hints For Best Use | 6 |
| Cleaning | 7 |
| Servicing | 7 |
| One-Year Limited Warranty | 8 |
| How To Obtain Warranty Service | 9 |

KNOW YOUR BLENDER

- A. Filler-Cap
- B. Lid
- C. Jar (48 ounce)
- D. Gaskets (small gasket for blade assembly, large gasket for jar collar)
- E. Blade Assembly (also called cutting blades)
- F. Base
- G. Control Panel
- H. Pulse Button- For instant control the pulse operates only as long as the button is held down. The blender motor stops when the button is released.



HOW TO USE YOUR SUNBEAM® BLENDER

After unpacking the blender, wash everything except the blender base in hot, soapy water. Dry thoroughly. Do not place in dishwasher. Wipe the blender base with a damp cloth or sponge. Do not immerse the base in water. Care should be taken when handling the blades, as they are very sharp.

How to Assemble and Use

Important: Your blender jar and cutting blades are subject to wear during normal use. Always inspect cutting blades for broken, cracked or loose blades. If jar or cutting blades are damaged, do not use. Call our toll-free customer service number to obtain replacement parts.

- Make sure blender is unplugged. Place blender base on clean, dry surface to keep foreign particles from being pulled up into motor during operation.
- Make sure small gasket is in place on outer rim of blade assembly. The gasket must lie flat. Screw the blade assembly into the jar base firmly. The large gasket should be in place on jar bottom, underneath the wide collar.
- The blade assembly must be screwed into the jar firmly. If not, it may loosen when the motor is turned on.
- Set jar into place on blender base, making sure it is securely seated. If not gently rock the jar until seated.
- Plug cord into outlet.
- Put ingredients in jar, place lid on jar.
- Process food or beverages. Place hand on lid when blending liquids. Push button on control panel to start blender.
- Always turn blender OFF and wait until blades have stopped rotating before removing jar.
- To remove jar after blending is complete, lift the jar straight up. If it is not easily removed, gently rock and lift. Do not twist.
- Never place jar onto unit while motor is running.

6-Speed

Speeds are Chop, Mix, Grate, Blend, Liquefy, and Pulse/Off. Pulse is a controlled cycle operation. This means it operates only while the button is held down. All other speeds are continuous cycle operation. They operate continuously at whatever speed is selected until the "Off" button is pressed.

For Continuous Operation

Rest one hand on top of the blender jar with lid securely in place. Press desired speed button to turn blender on. Press "Off" button to turn blender off.

For Controlled Cycle Operation

Rest one hand on top of blender jar with lid securely in place. Press "Pulse" button and hold down for about 2 seconds. Release button and allow blades to coast to a stop. Repeat cycles until contents reach a desired consistency. Release of the "Pulse" button turns blender off.

NOTE: "Pulse" button can be held longer than 2 seconds as needed.

HINTS FOR BEST USE

- ❑ Processing hot foods or liquids in the blender may cause hot liquid to spurt out when the cover is removed. Always remove the filler-cap from the cover before blending hot foods or liquids. (Please review Important Safeguards).
- ❑ To add foods when blender is operating remove filler-cap from container cover and add ingredients through the opening.
- ❑ If using your blender to make salsa or other recipes using tomatoes, onions and/or other vegetables, you may have better results using a slower speed function.
- ❑ If blending action stops during blending or ingredients stick to the sides of the jar, turn blender OFF. Remove the cover and use a rubber spatula to push mixture towards blades.
- ❑ **Do not** try to mash potatoes, mix stiff dough, whip egg whites, grind corn or raw meat, or extract juices from fruits and vegetables. The blender is not made to perform these tasks.
- ❑ **Do not** store food or liquids in the blender jar.
- ❑ Avoid bumping or dropping the blender.

HOW TO CLEAN THE BLENDER

1. Unplug the blender from electrical outlet.
2. Wipe blender base, control panel, and cord with a damp cloth or sponge. To remove stubborn spots, use a mild, non-abrasive cleanser.
3. To clean jar, unscrew blade assembly and remove from jar.
4. Carefully remove gasket from outer rim of blade assembly.
5. Carefully wash blade assembly, gasket, jar and cover in hot, soapy water. Rinse and dry thoroughly. Do not soak. Do not wash blade assembly, gasket, plastic jar, or cover in a dishwasher.
6. Replace gasket on blade assembly, screw into jar and replace onto blender base.

CUSTOMER SERVICE

If you have a question about your blender, call our toll-free customer service number. Before calling, please note the model, type, and series numbers and fill in that information below. These numbers can be found on the bottom of your blender. This information will help us answer your question much more quickly.

1-YEAR LIMITED WARRANTY

Sunbeam Products, Inc. ("Sunbeam") warrants that for a period of one year from the date of purchase, this product will be free from defects in material and workmanship. Sunbeam, at its option, will repair or replace this product or any component of the product found to be defective during this warranty period. Replacement will be made with a new or remanufactured product or component. If the product is no longer available, replacement may be made with a similar product of equal or greater value. This is your exclusive warranty.

The warranty is valid for the original retail purchaser from the date of initial retail purchase and is not transferable. Keep the original sales receipt. Proof of purchase is required to obtain warranty performance. Sunbeam dealers, service centers or retail stores selling Sunbeam products do not have the right to alter, modify or any way change the terms and conditions of this warranty.

This warranty does not cover normal wear of parts or damage resulting from any of the following: negligent use or misuse of the product, use on improper voltage or current, use contrary to the operating instructions, disassembly, repair or alteration by anyone other than Sunbeam or an Authorized Sunbeam Service Center. Further, the warranty does not cover Acts of God or nature, such as fire, flood, hurricanes, and tornadoes.

Sunbeam shall not be liable for any incidental or consequential damages caused by the breach of any express or implied warranty. Except to the extent prohibited by applicable law, any implied warranty of merchantability or fitness for a particular purpose is limited in duration to the duration of the above warranty. Some states, provinces or jurisdictions do not allow the exclusion or limitation of incidental or consequential damages or limitations on how long an implied warranty lasts, so the above exclusion or

limitations may not apply to you. This warranty gives you specific legal rights and you may have the rights that vary by state, province and/or jurisdiction.

How to obtain Warranty Service

Take the product to an Authorized Sunbeam Service Center.

You can find the nearest Authorized Sunbeam Service Center by calling 1 800 458-8407 or visit us at our web site at www.sunbeam.com.

DO NOT RETURN THIS PRODUCT TO THE PLACE OF PURCHASE.