

Rodad Safey Guard

Instruction Manual


Thank you for purchasing portable DVR from our company


In order to help you operate it correctly

Please read this instruction carefully before using

Starting to use the car camcorder

▲ Turning ON/OFF

Press  power button once to power on ,blue light indicator is on;

Press  again to power off, blue light indicator is off.

Attention: Low battery is displayed before shutting down.

▲ Changing Batteries

There 3 ways of changing the battery, Red light indicator is on while charging; full charge time is 180 minutes.

Red light indicator will turn off when fully charged

1. Using the AC adaptor to charge battery
2. Using USB to charge battery
3. .In-car battery charging

▲ Placing the Micro SD card

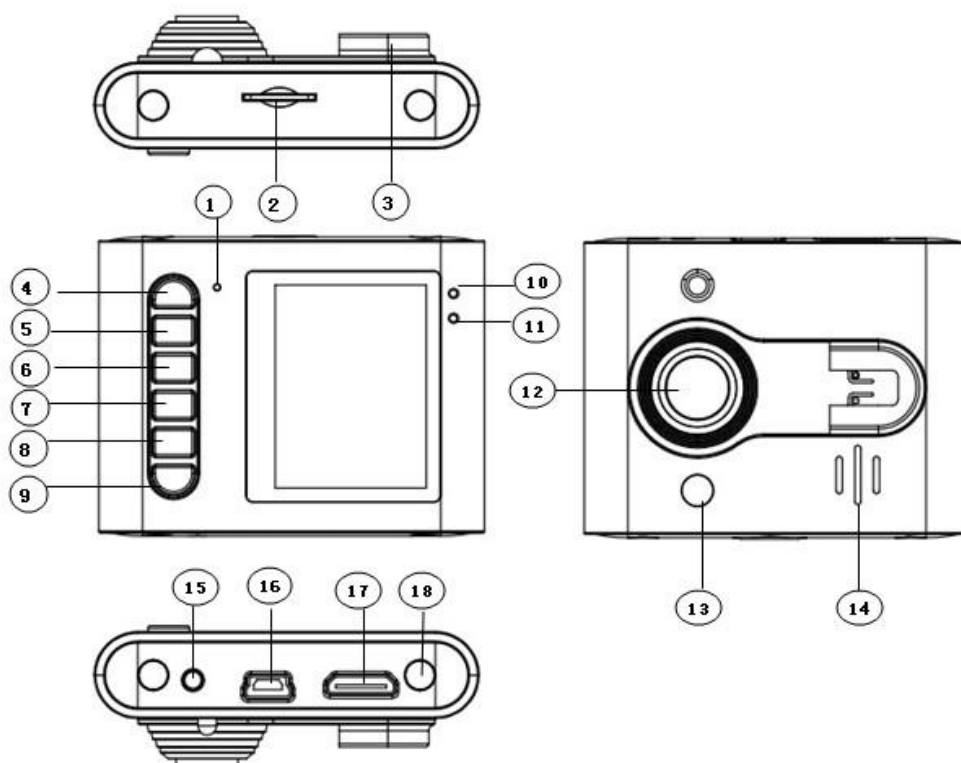
Place the micro SD card into the memory card slot according to the image below; press it until you hear a click sound.

Removing Micro SD card: Press it once and remove it after it pops up

▲ G-Sensor Function

Select Off/High/Middle/Low, When the impact dynamics reached your setup, the G-Sensor function will lock this video

▲ Product Quick manual



- 1) MIC 2) TF slot 3) Holder hole location
- 4) OK button 5) Mode button 6) Menu/SOS button 7) Up button
- 8) Down button 9) Power button 10) Blue indicator light
- 11) Red indicator light 12) Lens 13) IR night vision light 14) Speaker
- 15) Reset 16) USB port 17) HDMI port 18) Screw location

▲ Basic Driving recorder:

▲ How to switch between video, photos, playback modes

Press MODE to switch modes

▲ How to enter setting mode

Press MENU once, press MENU key again, enter “System Setting” option, a blue background will be displayed.

Format: Format Micro SD card (this action will delete have not locking data stored in the Micro SD card)

Language setting: 1) English 2) Traditional Chinese 3) Simplified Chinese 4) Japanese 5) Russian 6) German,7) French,8) Spanish,9) Italian,10) Portuguese,

Reset System settings:Cancel /Proceed

Frequency:50 Hz/60Hz

Date setup:Set Date/Time

▲ How to record video and enter setup

▲ Shooting video

Press OK to start recording ,press it again to stop.

In recording mode press MENU key to open up the SOS function.

In recording mode press MODE key to activate Day/Night mode

▲ Video option settings

Press MENU key ,enter video option setting

Image size: 1080HFD 1920*1080 1080P 1440*1080 720P 1280*720

Time display:ON/OFF

Motion detect:ON/OFF

Recording:ON/OFF

Cycle recording: Off/3min/5min/10min

Auto power-off: Off/1min/3min

Press button voice: Off/On

▲ How to enter photo setting option

▲ Taking photo

Press OK key to take photo

Photo shooting setup option

Press MENU key, Enter photo shooting setup option

Shooting way: Single /2sec clocking /5sec clocking/10sec clocking

Image resolution: VGA 640*480 1.3M 1280*960 12M 4032*3024

10M 3648*2736 8M 3264*2448 5M 2592*1944 3M 2048*1536

2MHD 1920*1080

▲ Manage Files

1. Press MODE key to enter File Management mode
2. There are 2 types of files-Video playback, Image playback
3. Most recent file will be displayed on LCD.

For example: If your last action was photo shooting,
The photo will be displayed on LCD.

▲ Video and Photo playback

▲ Video Playback

1. Press UP/DOWN key to select the desired file for playback
2. Press OK key to start/stop the video playback, adjust volume by UP or DOWN button when play the video
Press DOWN key while playback to rewind
3. Press OK to stop video playback

▲ Image Playback

Press UP/DOWN key to select desired file for playback

Playback option setting

While playback press MENU key to Playback option setting:

1. Delete: Press OK key to select action Single/All/Select delete File
2. Protect file: select locking or deblocking the file
3. Slide play: Select 2sec/5sec/8sec to play the video

▲ Connect to PC

Downloading Videos and Images

1. After USB cable is connected to computer, LCD display appear start picture, blue indicator will turn on, then will the display screen will be blue
2. Computer will automatically detect the Micro SD card drive

Attention: System requirements: Windows 2000/XP/Vista/Windows 7, MAC

OS *10.3.6 or above

3. Browse or manage files through computer
4. Unplug the USB cable turn the device off

Remarks: If device crashes during usage, press the RESET button and restart

▲ Product Features

- Very Portable High definition Resolution A+ Wide Angle Lens
- Built-in 1/4 inch low noise sensor, can capture clear images in low light environment
- Day/Night Selectable modes
- Built-in simultaneous charging and recording mode
- Built-in microphone/speaker
- Supports High capacity Micro SD card
- Anti-Shake Mode

-Motion detect function

-Continuous recording mode,Auto delete when recording new file

-Auto power on when starting car,Auto power off when car is off

▲ Product Specification

LCD Display	1.5 LTPS (4: 3)
Lens	120 °A+High Resolution Wde Angle Lens
Language selection	English、Traditional、Chinese、Japanese 、Russian、 German、 French、 Spanish、 Italian
Video resolution	1080HFD 1920*1080 1080P 1440*1080 720P 1280*720
Video format	AVI
Image resolution	VGA 640*480 1.3M 1280*960 12M 4032*3024 10M 3648*2736 8M 3264*2448 5M 2592*1944 3M 2048*1536 2MHD 1920*1080
Image format	JPG
Memory card	Micro SD
Microphone/Speaker	Yes
Shooting way	Single/2sec clocking/5sec clocking/10sec clocking
IR Night vision light	Dual super IR night vision light
TV mode	PAL/NTSC
Frequency	50HZ/60HZ
USB Port	USB2.0

Power input	5V 500MA
Battery	Rechargeable Li-ion

▲ Accessories:

- 1) In-car charging cable
- 2) In-car holder
- 3) USB cable
- 4) User Manual
- 5) HDMI cable