

# ANALOG HIGH DEFINITION SnapIt Indoor Dome Camera

DWC-D4783WD

DWC-D4783WTIR



## ABOUT MANUAL

Before installing and using the camera, please read this manual carefully.  
Be sure to keep it handy for future reference.

## PRECAUTIONS

---

- Do not open or modify.
- Do not open the case except during maintenance and installation, for it may be dangerous and can cause damages.
- Do not put objects into the unit.
- Keep metal objects and flammable substances from entering the camera.  
It can cause fire, short-circuits, or other damages.
- Be careful when handling the unit.
- To prevent damages, do not drop the camera or subject it to shock or vibration.
- Do not install near electric or magnetic fields.
- Protect from humidity and dust.
- Protect from high temperature.
- Be careful when installing near the ceiling of a kitchen or a boiler room, as the temperature may rise to high levels.
- Cleaning:  
To remove dirt from the case, moisten a soft cloth with a soft detergent solution and wipe.
- Mounting Surface:  
The material of the mounting surface must be strong enough to support the camera.

## FCC COMPLIANCE

---

This equipment has been tested and found to comply with the limits for a Class B digital device, pursuant to part 15 of the FCC rules. These limits are designed to provide reasonable protection against harmful interference, when the equipment is operated in a residential environment. This equipment generates, uses, and radiates radio frequency energy; and if it is not installed and used in accordance with the instruction manual, it may cause harmful interference to radio communications.

**WARNING:** Changes or modifications are not expressly approved by the manufacturer.

## TABLE OF CONTENTS

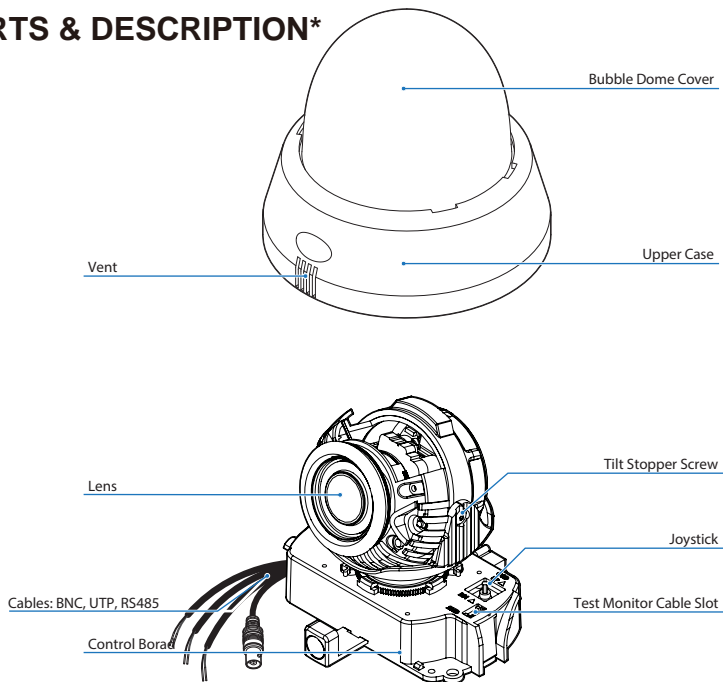
---

<b>Introduction</b> .....	Features .....	4
	Parts and Descriptions .....	5
	Dimensions .....	6
<b>Installation</b> .....	Inside the Box .....	7
	Installation Instructions .....	8-9
	Gang Box Installation Instructions .....	10
	Connecting to Monitors .....	11
	Adjusting the Camera Angle .....	12
<b>Module OSD Menu</b> .....		13-26
<b>Troubleshooting</b> .....		27
<b>Warranty Information</b> .....		28-29
<b>Specifications</b> .....		30-31

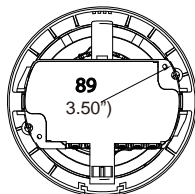
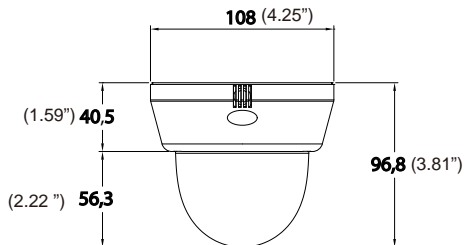
## FEATURES\*

- Analog High Definition (AHD) HD over Coax Technology
- STAR-LIGHT™ Super Low Light Technology
- Panasonic 1/3" CMOS Sensor
- 1080P Resolution at 30fps
- Wide Dynamic Range (WDR)
- Varifocal Auto-Focus P-Iris Lens 2.8~12mm
- Smart IR™ with Intelligent Camera Sync. 70ft Range [DWC-D4783WTIR Models]
- Smart DNR™ 3D Digital Noise Reduction
- Highlight Masking Exposure (HME)
- True Day/Night Mechanical IR Cut Filter [DWC-D4783WTIR Models]
- Auto Sensing 24VAC/12VDC with Line Lock
- Secondary Video-BNC Output (While UTP in use)
- Easy Icon Driven OSD Menu with Built-in Joystick
- Programmable Privacy Zones
- Auto Gain Control (AGC)
- Back Light Compensation (BLC)
- Dynamic Range Compressor (DRC) Reveals Low Light Detail
- Auto White Balance (AWB)
- UTP Built-In
- RS-485 Built-in

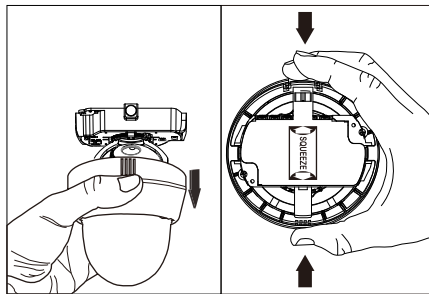
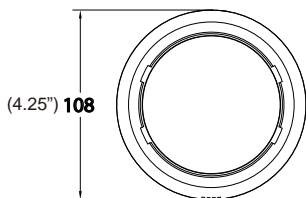
## PARTS & DESCRIPTION\*



## DIMENSIONS IN MILLIMETERS (IN)\*

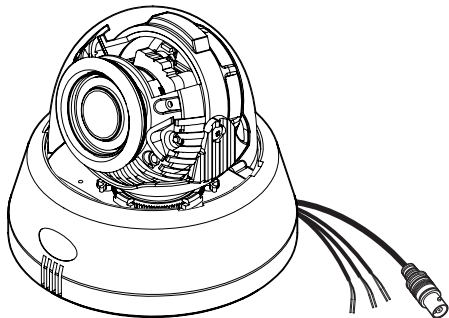


TOP VIEW



## INSIDE THE BOX\*

Included with your camera:



Camera

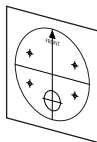
Cables



Test Monitor Cable



Screw &  
Plastic Anchor-2pcs

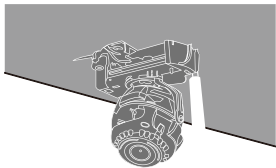


Template Sheet

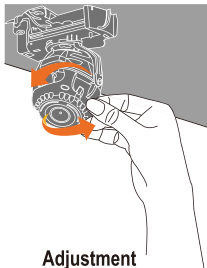


User's Manual

## INSTALLATION INSTRUCTIONS\*



**Two Screw Installation**



**Adjustment**



**Snap It**

1. To remove the camera's dome for installation, squeeze the sides of the camera and separate the camera module from the camera dome.
2. Use the camera's mounting template or your camera and drill the necessary mounting holes to the mounting surface.
3. Pull Wires through and make connections.
4. Mount the camera to the mounting surface using the included screws.
5. Adjust the camera's lens position by using the 3-Axis gimbal.
6. Snap the camera dome over the camera module to complete the installation.



## INSTALLATION INSTRUCTIONS\*



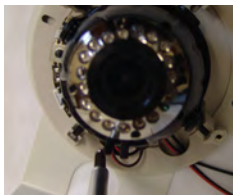
❶ Check to see all parts are in the box.



❷ Use the mount to mark the pilot holes required. Drill holes into the drywall and insert the drywall mounts.



❸ Secure the wall mount to the wall using the mounting screws.

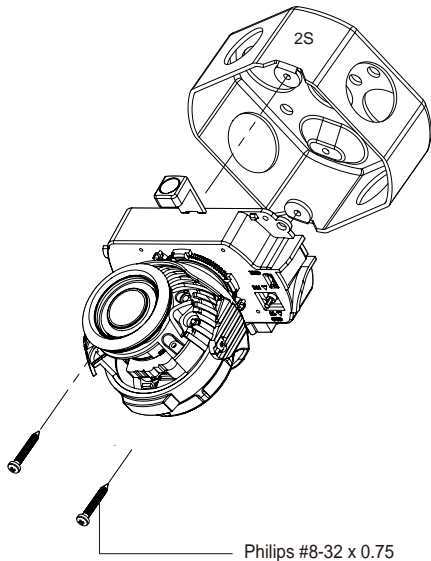


❹ Attach the base of the camera to the wall mount with the smaller machine screws.



❺ Adjust the camera lens, and snap the dome cover over the camera module.

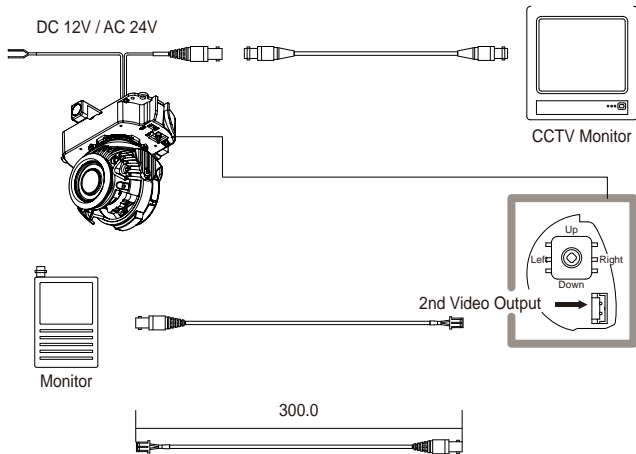
## INSTALLATION INSTRUCTIONS\*



**NOTE:** Screws required for electrical junction boxes are not supplied. These screws are readily available at an electrical supply store.

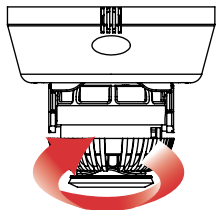
## CONNECTING TO MONITORS\*

Use the diagram below to connect to a Monitor or CRT Monitor properly.

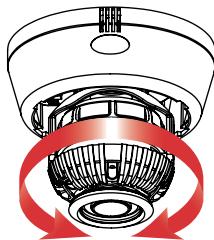


Power Connection - 12VDC/24VAC Dual Voltage (Auto Polarity Detection and Protection)  
 All cameras are equipped with a second video output for on-site configuration.

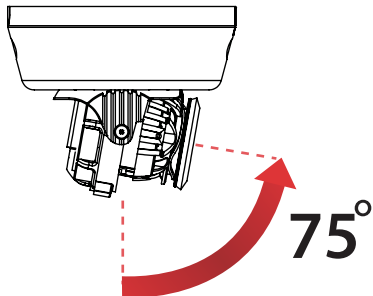
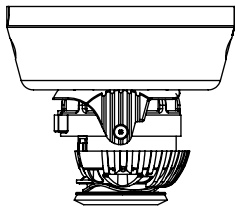
## ADJUSTING THE CAMERA ANGLE\*



Rotation 360°



Panning 360°



# MODULE OSD MENU\*

EXPOSURE	COLOR	DAY & NIGHT	FUNCTION
<ul style="list-style-type: none"> <li>— LENS MANUAL / AUTO</li> <li>— BACKLIGHT OFF / HME / BLC / WDR</li> <li>— DRC OFF / LOW / MIDDLE / HIGH</li> <li>— DEFOG OFF / ON</li> <li>— AGC 0-10</li> <li>— STARLIGHT OFF / x2 - x32</li> <li>— 3D DNR OFF / LOW / MIDDLE / HIGH</li> <li>— EXIT JUMP SAVE &amp; EXIT / EXIT</li> </ul>	<ul style="list-style-type: none"> <li>— WB BAL. AUTO / AUTO-EX / PRESET / MANUAL</li> <li>— COLOR GAIN 0 - 20</li> <li>— EXIT JUMP SAVE &amp; EXIT / EXIT</li> </ul>	<ul style="list-style-type: none"> <li>— D&amp;N MODE AUTO / COLOR / BW / EXTERN</li> <li>— AGC THRES 0 - 20</li> <li>— AGC MARGIN 0 - 20</li> <li>— EXT LED OFF / AUTO</li> <li>— DELAY LOW / MIDDLE / HIGH</li> <li>— SMART IR 0 - 20</li> <li>— EXIT JUMP SAVE &amp; EXIT / EXIT</li> </ul>	<ul style="list-style-type: none"> <li>— SHARPNESS 0 - 10</li> <li>— GAMMA 0.45 - 0.75</li> <li>— MIRROR OFF / ON</li> <li>— FLIP OFF / ON</li> <li>— D. ZOOM x1.0 - x16.0</li> <li>— EXIT JUMP SAVE &amp; EXIT / EXIT</li> </ul>
MOTION	PRIVACY	SETUP	EXIT
<ul style="list-style-type: none"> <li>— MOTION OFF / ON</li> <li>— DET. WINDOWS</li> <li>— SENSITIVITY 0 - 10</li> <li>— MOTION OSD OFF / ON</li> <li>— TEXT ALARM OFF / ON</li> <li>— SIGNAL OUT OFF / ON</li> <li>— EXIT JUMP SAVE &amp; EXIT / EXIT</li> </ul>	<ul style="list-style-type: none"> <li>— BOX OFF / ON</li> <li>— POLYGON OFF / ON</li> <li>— EXIT JUMP SAVE &amp; EXIT / EXIT</li> </ul>	<ul style="list-style-type: none"> <li>— COMMUNICA.</li> <li>— CAM TITLE OFF / ON</li> <li>— IMAGE RANGE FULL / COMP / USER</li> <li>— FRAME RATE 720_50P/60P / 720_25P/30P / 1080_25P/30P</li> <li>— FREQUENCY 50HZ / 60HZ</li> <li>— LANGUAGE ENG / CHN / CHN (S) / JPN / KOR</li> <li>— DEFECT DET ON</li> <li>— INITIAL ON</li> <li>— EXIT JUMP SAVE &amp; EXIT / EXIT</li> </ul>	<ul style="list-style-type: none"> <li>— SAVE</li> <li>— RESTORE</li> <li>— EXIT</li> </ul>



# EXPOSURE

## LENS

**MANUAL/** Manual mode supports the fixed board lens or the manual iris lens.

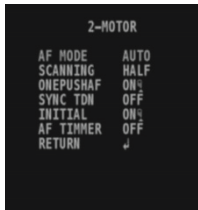
**AUTO** AUTO mode sets the camera's iris automatically.



- Level: Set the lens mode to Normal or Deblur.
- Brightness: Adjust the camera's brightness from 0~10. The higher the number, the brighter the image will appear.
- Shutter: Set the shutter speed to AUTO, Manual, or FLC (Flicker-less mode).
  - If AUTO is selected, select from the following options:
    - NORMAL: Set when the camera is installed in an indoor environment.
    - DEBLUR: Set when the camera is installed in an outdoor environment.
  - Select FLC if the camera is experiencing some flickering in the image.
  - If Manual is selected, set the shutter speed from 1/30(1/25), 1/60(1/50), 1/120(1/100) ~ 1/30000.



## EXPOSURE



### 2-MOTIR

This menu allows you to setup the lens' motor options.

- AF MODE
  - AUTO: FoV and Lens focus will be set automatically.
  - MANUAL: ZOOM IN/OUT (Using Top/Bottom button on OSD joystick) and Focus (Using Left/Right button on OSD joystick) can be set manually
- SCANNING: If the focus is not adjusted iwhen Half Model is selected, change the Scanning value to Full Mode to adjust the focus.
- ONEPUSHAF: Run the Auto Focus at the camera's current FoV.
- SYNC TDN : When enabled, the camera's AF will reset when the camera switches between day and night.
- INITIAL: Reset Two Motor Lens
- AF TIMMER: Run the Auto Focus after the set time (1~3 min).



## EXPOSURE

### BACKLIGHT

OFF

HME

### HIGHLIGHT MASKING EXPOSURE

HME allows objects to appear clearly on the screen by masking extremely bright areas. To setup HME, set the level and color. The lower the setting, the darker the masking areas have to be. Select from: 0 ~ 10.

Color: Set the color of the HME mask. Select from:

BLACK / WHITE / YELLOW / CYAN / GREEN /  
MAGENTA / RED / BLUE

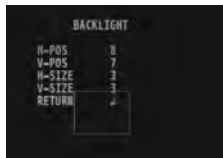


BLC

### BACK LIGHT COMPENSATION

If BLC is selected, adjust the size and position of the mask:

- H-POS: Move the Zone position left or right. The higher the number, the zone will move to the right.
- V-POS: Move the Zone position up or down. The higher the number, the zone will move down.
- H-Size: Reset the zone's size horizontally. The higher the number, the right side panel will move further to the right.
- V-Size: Reset the zone's size vertically. The higher the number, the bottom side panel will move further down.



WDR

### Wide Dynamic Range

If WDR is selected, adjust the WDR level (Weight) in the submenu. Select from Low, Middle, or High (Default).





## EXPOSURE

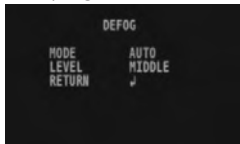
### DRC DYNAMIC RANGE COMPRESSOR

DRC enables dark areas in images to become more visible without overexposing the bright areas to create one perfect image. Select from: OFF / ON.

NOTE: If WDR or DEFOG are enabled, the DRC settings are set automatically and will not be available for adjustment.

**DEFOG** Allows the camera to process a scene that is obscured by fog or weather conditions and provides a visibly improved image.

AUTO / Manual: Select AUTO to have the WDR and DRC levels adjusted automatically. Set the DEFOG level from LOW / MIDDLE / HIGH.



### AGC AUTO GAIN CONTROL

0~10 AGC enhances the picture brightness in low light conditions. A higher level AGC setting makes the images brighter; however, it could increase the amount of noise.

### STARLIGHT

OFF / x2 ~ x34  
(Default: X4)

Automatically activates slow shutter function when the image is too dark. High values are not recommended as they may cause the image to lag. Starlight menu cannot be controlled if the SHUTTER setting is above 1/60.

### 3D DNR

OFF / LOW /  
MID / HIGH

### 3D DIGITAL NOISE REDUCTION

3D-DNR reduces the noise on the screen in low light conditions and allows for clearer images, even at night.



## COLOR

### WB MODE

**ATW** Auto Tracking White Balance Control mode compensates for color temperature changes between 2400K<sup>o</sup> and 11000K<sup>o</sup>.

**AWB** Auto White Balance Control mode compensates for color temperature changes lower than 2000K<sup>o</sup> and higher than 15000K<sup>o</sup>.

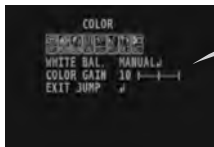
**PUSH** Push fixes the white balance based on the current lighting automatically.

**MANUAL** Users can control the white balance manually by changing RED GAIN and BLUE GAIN (see below).

**C-TEMP:** Select the color temperature for the white balance setup. If enabled, the Red and Blue Gain settings will be set automatically according to the C-TEMP selected.

**RED GAIN:** 0 ~ 20. Adjusts the amount of red in the image.

**BLUE GAIN:** 0 ~ 20. Adjust the amount of blue in the image.



### COLOR GAIN

Set the color gain from 0~20.



## DAY & NIGHT

### D&N MODE

- AUTO / Day/ Night switch will be based on the AGC levels.
- COLOR / The camera always stays in day/color mode.
- B&W The camera always stays in night/B&W mode.
- EXTERN Day/ Night switch will be based on using IR LED lights.

### AUTO:

- AGC Threshold: Set when the camera switches between Day & Night.
- AGC Margin: Set the value added to the AGC Threshold. Adjust the value based on the environment in which the camera is installed. If the margin is too low, the camera will switch from color to B/W and back.

### EXT.:

- CDS Threshold: Marks the light level at which the camera will switch between color and B/W. The lower the value, the camera will require less light (more darkness) to switch to Night Mode.
- CDS Margin: The value added to the CDS Threshold. Adjust this based on the environment in which the camera is installed. If the margin is too low, the camera will switch from color to B/W and back.



### EXT LED

- AUTO / AUTO: The LEDs are enabled/ disabled by the CDS Sensor on the LED Board.
- OFF / OFF: The camera's LEDs are disabled manually.

### DELAY

- Low/Mid/High Time interval delay before switching from day mode to night mode.

### SMART IR

- 0 ~ 20 Enable Smart IR and set the level. Higher values will make Smart IR stronger.





## FUNCTION

### SHARPNESS

0 ~ 10 Sets the image sharpness. The higher the number, the sharper the image.

### GAMMA

0.45 ~ 0.75 Select the desired gamma level. 0.55 is default setting.

### MIRROR / FLIP

OFF

MIRROR Reflects the camera horizontally.

FLIP Reflects the camera vertically.



Mirror / Flip OFF



Mirror ON



Flip ON



Mirror & Flip ON

### D-Zoom

x1 ~ x16 Enable or Disable Digital zoom to the camera's field of view. By default, the zoom will go to the center of the camera's Field of View.



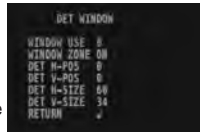
## MOTION

The camera can detect the movement and display an alarm on the screen when movement is detected.

**MOTION** To use the motion detection settings, be fore Motion is ON.

### DET. WINDOW

- Window Use: Select which zone to setup from the 4 motion zones available.
- Window Zone: Enable or disable the selected motion zone.
- DET H-POS: Move the Zone left or right. The higher the number, the zone will move to the right.
- DET V-POS: Move the Zone up or down. The higher the number, the zone will move down.
- DET H-Size: Adjust the zone's size horizontally. The higher the number, the right side panel will move further to the right.
- DET V-Size: Adjust the zone's size vertically. The higher the number, the bottom side panel will move further down.



### SENSITIVITY

The smaller the movement you want to detect, the higher the sensitivity value must be.

### MOTION OSD

If enabled, the text MOTION ZONE will appear on the screen indicating the area of motion detection.

### TEXT ALARM

Setup a text to appear on the screen when motion is detected explaining the alarm situation.

- WINDOW MOTION: Will appear when a motion alarm is detected.
- CAMERA MOVING: Will appear if the camera is shaken abruptly.
- BRIGHT CHANGE: Will appear if the brightness in the scene changes suddenly and drstically.

### SIGNAL OUT

If enabled, the camera can trigger an output when motion is detected.



## PRIVACY

You can hide some parts of the screen for privacy masking. A total of 8 different privacy masking zones are available. The cameras support square privacy masks or advanced polygon masks.



### BOX MASKS

- ZONE NUM.: Select the zone number you want to setup.
- ZONE DISP.: To enable it, turn the display option ON.
- H-POS: Move the Zone position Left or right. The higher the number, the zone will move to the right.
- V-POS: Move the Zone position up or down. The higher the number, the zone will move down.
- H-SIZE: Reset the zone's size horizontally. The higher the number, the right side panel will move further to the right.
- V-SIZE: Reset the zone's size vertically. The higher the number, the bottom side panel will move further down.
- Y LEVEL- The higher the number, the brighter the color will appear.
- CR LEVEL- The higher the number, the more red tone will be added to the zone's color. The lower the number, the more green will be added to the zone's color.
- CB LEVEL- High CB Level + High CR Level = Red  
High CB Level + Low CR Level = Blue  
Low CB Level + High CR Level = Orange



## PRIVACY

You can hide some parts of the screen for privacy masking. A total of 8 different privacy masking zones are available. The cameras support square privacy masks or advanced polygon masks.



### POLYGON MASKS

- ZONE NUM.: Select the zone number you want to setup.
- ZONE DISP.: To enable it, turn the display option ON.
- POS0-X: Move the mask's upper left angle left to right.
- POS0-Y: Move the mask's upper left angle up and down.
- POS1-X: Move the mask's upper right angle left to right.
- POS1-Y: Move the mask's upper right angle up and down.
- POS2-X: Move the mask's lower right angle left to right.
- POS2-Y: Move the mask's lower right angle up and down.
- POS3-X: Move the mask's lower left angle left to right.
- POS3-Y: Move the mask's lower left angle up and down.
- Y LEVEL- The higher the number, the brighter the color will appear.
- CR LEVEL- The higher the number, the more red tone will be added to the zone's color. The lower the number, the more green will be added to the zone's color.
- CB LEVEL- High CB Level + High CR Level = Red  
                   High CB Level + Low CR Level = Blue  
                   Low CB Level + High CR Level = Orange



## SETUP

### COMMUNICATION

Adjust the camera's ID and Baudrate. Default Protocol is Pelco-D.

- CAM ID: Provide an ID number for the camera (0 ~ 255).
- BAUDRATE: 9600bps is default. Select the baudrate from the following options: 2400/4800/9600/57600/115200 bps.

### CAM. TITLE

Add a name to the camera. Set the title by using the OSD joystick.

### IMAGE RANGE

Image Range allows you to set the proper Black and White levels according to the external display you use.

FULL: Display all BLACK level and WHITE level without compression.

COMP: Display BLACK level and WHITE level with compression.

USER : Reset the BLACK level by changing the OFFSET value.







## SETUP

### FRAME RATE

Set the camera's display frame rate and resolution. Select from: 720-30P, 720-60P, 1080-30P. The camera may have to be rebooted after frame rate change.

### FREQUENCY

When the camera's image appears to have flickering issues, change the frequency value to adjust the image.

### LANGUAGE

Select from the following: English (Default), Chinese, Chinese (S), Japanese, and Koran.

### DEFECT DET.

The camera can detect and correct dead pixels in the image. Press the select button and set the threshold level. The camera will detect and adjust the pixels automatically.

### INITIAL

Reset the camera to its default settings. Press and hold the select button for five (5) seconds.





## EXIT

EXIT

SAVE Exit the OSD menu after saving the recent changes.

INITIAL Exit the OSD menu after resetting the camera to factory default.



## **TROUBLESHOOTING**

---

Before sending your camera for repair, check the following or contact our technical specialist.

### **FOR NO VIDEO**

Check the coaxial cable and make sure it is connected securely.

Check the lens' iris adjustment at the camera's OSD menu.

Check the power supply and make sure the camera has the proper voltage and current.

### **FOR OUT-OF-FOCUS VIDEO**

Check the clear dome cover and the lens for dirt or fingerprints. Use a soft cloth and gently clean. Check the lens' manual focal and zoom adjustment. The use of a field test monitor is recommended.

## WARRANTY INFORMATION\*

Digital Watchdog (referred to as “the Warrantor”) warrants the Digital Watchdog Camera against defects in materials or workmanship as follows:

**LABOR:** For the initial five (5) years and one (1) year on IR LED from the original purchase date, if the camera is determined to be defective, the Warrantor will repair or replace the unit with a new or refurbished product at its option at no charge.

**PARTS:** In addition, the Warrantor will supply replacement parts for the initial five (5) years and one (1) year on IR LED.

To obtain warranty or out of warranty service, please contact a Technical Support Representative at **1-866-446-3595** Monday through Friday from 9:00AM to 8:00PM Eastern Standard Time.

A purchase receipt or other proof of the original purchase date is required before warranty service is rendered. This warranty only covers failures due to defects in materials and workmanship which arise during normal use. This warranty does not cover damage which occurs in shipment or failures which are caused by products not supplied by the Warrantor or failures which result from accident, misuse, abuse, neglect, mishandling, misapplication, alteration, modification, faulty installation, set-up adjustments, improper antenna, inadequate signal pickup, maladjustment of consumer controls, improper operation, power line surge, improper voltage supply, lightning damage, rental use of the product or service by anyone other than an authorized repair facility or damage that is attributable to acts of God.



## LIMITS & EXCLUSIONS\*

There are no express warranties except as listed. The warrantor will not be liable for incidental or consequential damages (including damage to recording media without limitation) resulting from the use of these products or arising out of any breach of the warranty. All express and implied warranties, including the warranties of merchantability and fitness for particular purpose, are limited to the applicable warranty period set forth above.

Some states do not allow the exclusion or limitation of incidental or consequential damages, or limitations on how long an implied warranty lasts, so the exclusions or limitations listed above may not apply to you. This warranty gives you specific legal rights, and you may also have other rights that vary from state-to-state.

If the problem is not handled to your satisfaction, then write to the following address:

Digital Watchdog, Inc.  
ATTN: RMA Department  
5436 W. Crenshaw Street  
Tampa, FL 33634

Service calls which do not involve defective materials or workmanship as determined by the Warrantor, in its sole discretion, are not covered. Costs of such service calls are the responsibility of the purchaser.

## SPECIFICATIONS\*

VIDEO	
Image Sensor	Panasonic 1/3" CMOS
Active Pixels	1944(H) x 1092(V)
Scanning System	Progressive scan
Frequency	60Hz/50Hz
Signal Technology	2.0 Megapixel AHD
Synchronization	Internal
Resolution	1920x1080 (1080p)
Minimum Scene Illumination	F1.4 (30IRE): 0.35Lux [Color]
	F1.4 (30IRE): 0 Lux [B&W]
S/N Ratio	55dB
Video Output	AHD 1080p30fps / 720p60fps / 720p30fps
Alarm Output	1 Alarm Output
LENS	
Focal Length	2.8 ~ 12mm
Lens Type	P-Iris Auto Focus
IR Distance	70ft [D4783WTIR]
OPERATIONAL	
Shutter Speed	1/30(25)-1/30,000
Backlight	Off/ On
STAR-LIGHT	OFF, x2 -x32
Wide Dynamic Range (WDR)	Off/ On

### OPERATIONAL (CONT.)

Digital Noise Reduction	Off, Low, Middle, High
White Balance	Auto / Auto-Ex/ Preset / Manual
Day and Night	Day/ Night/ Auto
Auto Gain Control	Max 60dB
Privacy Zones	24 Privacy Zones
RS485/ UTP Built-in	PELCO D/PELCO C
Digital Zoom	x1.0 ~ x16.0

### ENVIRONMENTAL

Operating Temperature	-20°C ~ 50°C (-4°F ~ 122°F)
Operating Humidity	No more than 90% (Non-Condensing)
IP Rating	---
Other Certifications	FCC, CE, ROHS

### ELECTRICAL

Power Requirements	DC12V/AC24V Dual Voltage	
Power	D4783WD	DC12V: 3.43W, 286mA
		AC24V: 3.3W, 198mA
	D4783WTIR	DC12V : 3.43W, 286mA, LED On: 6.45W, 537mA
		AC24V : 3.3W, 137mA, LED ON: 5.95W, 372mA

### MECHANICAL

Housing Material and Dimensions	Plastic, 108 X 96.8 mm (4.25 X 3.81 in)
Weight	0.507 lbs [D4783WD], 0.529 lbs [D4783WTIR]

\*Specifications subject to change without prior notice.



*Complete Surveillance Solutions*

5436 W Crenshaw St. Tampa, FL 33634

Tel : 866-446-3595 / 813-888-9555

Fax : 813-888-9262

[www.Digital-Watchdog.com](http://www.Digital-Watchdog.com)

[technicalsupport@dwcc.tv](mailto:technicalsupport@dwcc.tv)

Technical Support Hours : Monday-Friday

9:00am to 8:00pm EST