

Design LED 36WA

Elation Professional™
4295 Charter Street
Los Angeles, Ca 90058
www.elationlighting.com

TABLE OF CONTENTS

CONTENTS

1. General Information.....	3
a. Introduction.....	3
b. Unpacking.....	3
c. Customer Support.....	3
d. Warranty Registration.....	4
2. Safety Instructions.....	5
3. Features.....	7
4. General Guidelines.....	8
5. Fixture Overview.....	9
6. Mounting and Installation.....	11
a. Mounting Positions.....	11
b. Rigging Points.....	12
c. Securing.....	13
7. Understanding DMX.....	14
a. DMX Connections.....	14
b. DMX Terminator.....	15
c. 3-Pin to 5-Pin Conversion.....	16
d. Understanding DMX Addressing.....	16
8. Operating Modes	18
9. DMX Channel Traits.....	20
a. DMX Channel Charts.....	20
b. DMX Channel Values.....	20
c. DMX Dipswitch Chart.....	22
10. Cleaning and Maintenance.....	23
11. Warranty.....	24
12. Photometric Data.....	26
13. Dimensional Drawings.....	27
14. Circuit Schematic.....	28
15. Technical Specifications.....	29

1. GENERAL INFORMATION

INTRODUCTION: Congratulations, you have just purchased one of the most innovative and reliable LED fixtures on the market today! The DESIGN LED 36WA,™ has been designed to perform reliably for years when the guidelines in this booklet are followed. Please read and understand the instructions in this manual carefully and thoroughly before attempting to operate this unit. These instructions contain important information regarding safety during use and maintenance.

UNPACKING: Thank you for purchasing the DESIGN LED 36WA™ by Elation Professional®. Every DESIGN LED 36WA™ has been thoroughly tested and has been shipped in perfect operating condition. Carefully check the shipping carton for damage that may have occurred during shipping. If the carton appears to be damaged, carefully inspect your fixture for damage and be sure all accessories necessary to operate the fixture have arrived intact. In the event damage has been found or parts are missing, please contact our customer support team for further instructions. Inside the box you should find: the fixture, a DMX XLR cable, a safety cable, and this manual. Please do not return this unit to your dealer without first contacting customer support at the number listed below.

CUSTOMER SUPPORT: Elation Professional® provides a customer support line, to provide set up help and to answer any question should you encounter problems during your set up or initial operation. You may also visit us on the web at www.elationlighting.com for any comments or suggestions. For service related issue please contact Elation Professional®. Service Hours are Monday through Friday 9:00 a.m. to 5:00 p.m. Pacific Standard Time.

Voice: (323) 582-3322

Fax: (323) 582-3108

E-mail: support@elationlighting.com

Forum: www.ElationLighting.com/forum

Warning! To prevent or reduce the risk of electrical shock or fire, do not expose this unit to rain or moisture.

Caution! There are no user serviceable parts inside this unit. Do not attempt any repairs

yourself. Doing so will void your manufactures warranty.

Please do not discard the shipping carton in the trash. Please recycle whenever possible.

WARRANTY REGISTRATION: The DESIGN LED 36WA™ carries a two year (730 days) limited warranty. Please fill out the enclosed warranty card to validate your purchase. All returned service items whether under warranty or not, must be freight pre-paid and accompany a return authorization (R.A.) number. The R.A. number must be clearly written on the outside of the return package. A brief description of the problem as well as the R.A. number must also be written down on a piece of paper and included in the shipping container. If the unit is under warranty, you must provide a copy of your proof of purchase invoice. Items returned without a R.A. number clearly marked on the outside of the package will be refused and returned at customer's expense. You may obtain a R.A. number by contacting customer support at (323) 582-3322.

2. SAFETY INSTRUCTIONS



To guarantee proper and consistent operation, it is important to follow the guidelines in this manual. Elation Professional will not accept responsibility for damages resulting from the misuse of this fixture due to the disregard of the information printed in this manual.

1. Always be sure that the fan and the air inlets remain clean and are never blocked. Allow about 6" (15cm) between this fixture and other devices or a wall to allow for proper cooling.
2. Never touch the fixture during normal operation.
3. Never look directly into the lamp beam. You risk injury to your retina, which may induce blindness.
4. For safe operation, follow the Installation guide described in chapter two of this manual. Operating the Design LED 36WA™ without suited safety aids such as safety cables or clamps can increase the risk of damage and/or personal injury.
5. Installation should only be performed by qualified and certified personal.
6. When mounting this fixture, use only the original rigging points included with this fixture. Any structural modification will void the original manufactures warranty and may increase the risk of damage and/or personal injury.
7. To reduce the risk of fire or shock, do not expose this fixture to rain or moisture.
8. Do not attempt to operate this fixture if the power cord has become damaged or frayed.
9. **Never open this fixture while in use.**
10. This device falls under protection-class I. Therefore it is essential that the device be grounded properly.
11. All electrical connections must performed by qualified personal.
12. Be sure the available voltage matches the voltage requirements of the unit. Be sure the power cord is never crimped or damaged. If the power cord is

- damaged, replace it immediately with a new one of similar power rating.
13. Always disconnect from main power before performing any type of service or any cleaning procedure.
 14. Only handle the power cord by the plug. Never pull out the plug by tugging the wire portion of the cord.
 15. ***Please be aware that damages caused by manual modifications to the device are not subject to warranty.***

Important Notice: Damages resulting from the disregard of safety and general user instructions found in this user manual are not subject to any warranty claims.

**CAUTION!**

Never touch the device during operation!
The housing may heat up

**CAUTION!**

Never look directly into the light source,
as sensitive persons may suffer an epileptic shock.

3. FEATURES

- Low power consumption
- Minimal heat emission
- Maintenance free operation
- Equipped with 36 one-watt LEDs
- High power LEDs manufactured by Lumileds, USA
- 100,000 hours rated LED life
- Manual Operation Via Dip-Switches
- Strobe-effect with a maximum flash rate of 18fps
- DMX-controlled operation or stand-alone operation with Master/Slave-function
- 8 built-in programs can be called up via DMX-controller
- Sound-controlled via built-in microphone
- 3 DMX-channel (default) or 1 DMX-channel operation
- DMX-control via standard DMX-controller
- Flicker-free operation for television and film
- Compact design: fits in 12" box truss
- Brilliant light output

4. GENERAL GUIDELINES

This fixture is a professional lighting effect designed for use on stage, in nightclubs, in theatres, and other types of architectural installations. Do not attempt operation or installation without a proper knowledge on how to do so.

This fixture was designed for indoor use only; use of this fixture outside will void the manufacture's warranty.

Consistent operational breaks will ensure that the fixture will function properly for many years to come.

Do not shake the fixture around. Avoid brute force when installing or operating the fixture.

While choosing an installation location, please be sure that the fixture will not be exposed to extreme heat, moisture, or dust. The minimum distance between the fixture and a wall or flat surface should be at least .5 meter (about 1.5ft).

Always install the fixture with an appropriately rated safety cable. When installing the fixture in a suspended environment always be sure to use mounting hardware no less than M10 x 25 mm, also be sure the hardware is only inserted in the yoke's mounting holes.

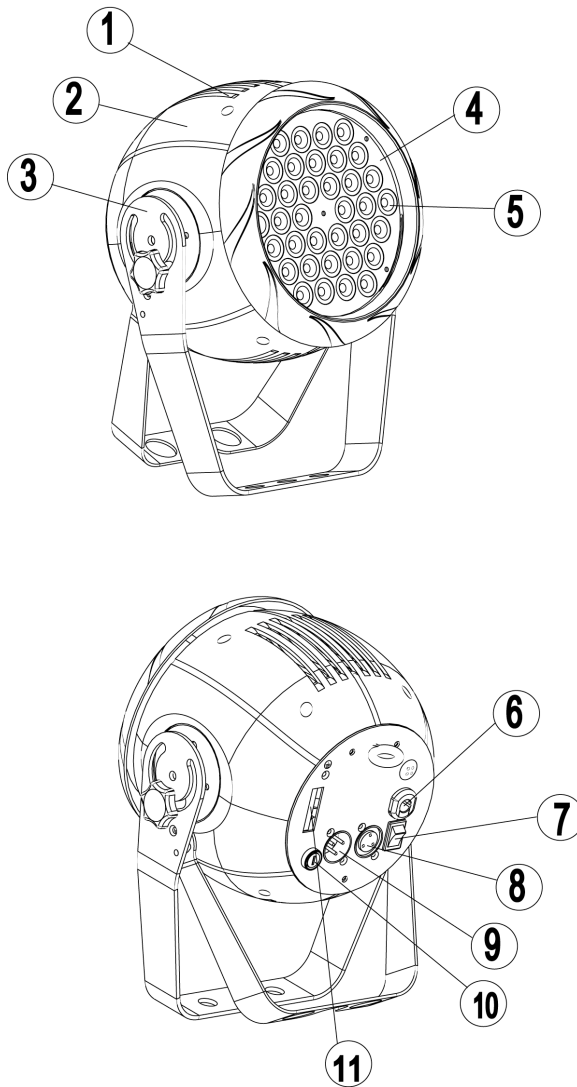
Do not attempt to operate this fixture until you have familiarized yourself with all of its functions.

Do not permit operation by persons not qualified for operating this type of theatrical fixture. Most damages are the result of improper operation.

Please use the original packaging to transport the fixture in for service.

For your own safety, please read this user manual carefully before installing the device.

5. FIXTURE OVERVIEW



1. Venting Slots
2. Exterior Housing
3. Hanging Bracket
4. Diffusion Lens
5. LED Assembly
6. Power Cord
7. On/Off Switch
8. DMX In Jack
9. DMX Out Jack
10. Fuse Holder Housing
11. Dipswitch Assembly

1. Venting Slots – These slots are designed to keep the fixture cool during operation. Never block these slots. Keep these slots clean at all times.

2. Exterior Housing – The exterior housing is constructed of rugged polymer material.

3. Hanging Bracket – The unit uses a unique sectional bracket that allows the unit to be

hung, mounted, or stood straight up.

4. Diffusion Lens – This lens is used to both protect the LEDs as well as diffuse the light output.

5. LED Assembly – 36 1-watt LEDs construct the LED assembly.

6. Power Cord – Provides main power to the unit.

7. On/Off Power Switch – Controls main power to the unit.

8. DMX In Jack – This jack accepts an incoming DMX signal via a male, 3-pin XLR jack.

9. DMX Out Jack – This jack is used to send an incoming DMX signal to the next fixture in the DMX chain via a female, 3-pin XLR jack.

10. Fuse Holder Housing – This housing holds the GMA (2) amp protective fuse. Never use a fuse greater than that specified by the manufacturer. Using a fuse other than that specified could seriously damage the unit and will void your manufacturer's warranty.

11. Dipswitch Assembly – These dipswitches are used to set the DMX address, master–slave settings, and other special functions. See the dipswitch chart on page 16 for more information on the dipswitch functions.

6. MOUNTING AND INSTALLATION

Cautions:

For added protection mount the fixtures in areas outside walking paths, seating areas, or in areas where the fixture might be reached by unauthorized personnel.

Before mounting the fixture to any surface, make sure that the installation area can hold a minimum point load of 10 times the device's weight.

Fixture installation must always be secured with a secondary safety attachment, such as an appropriate safety cable.

Never stand directly below the device when mounting, removing, or servicing the fixture.



CAUTION!

Before taking into operation for the first time, the installation has to be approved by an expert.

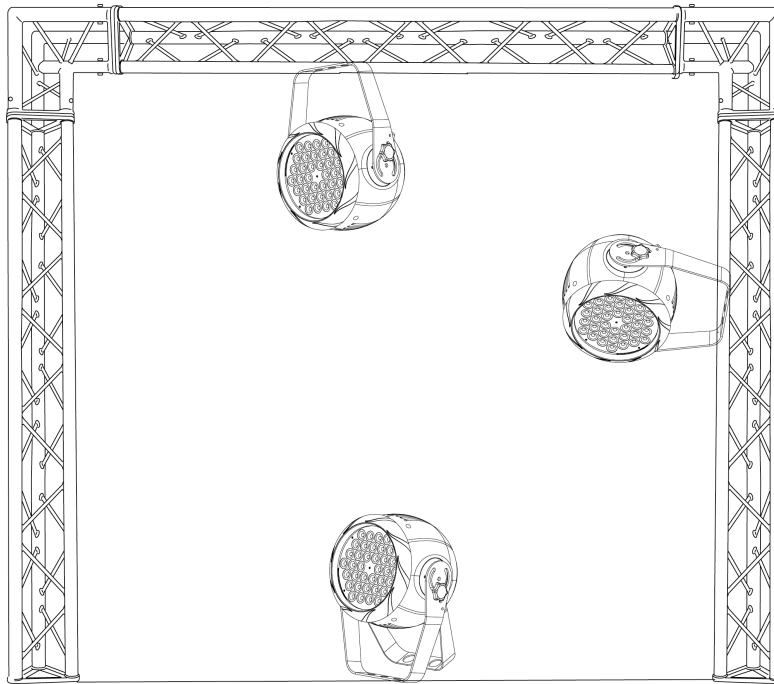


CAUTION!

When installing the device, make sure there is no highly flammable material within a distance of min. 0,5m

Mounting

The Design LED 36WA™ is fully operational in three different mounting positions, hanging upside-down from a ceiling, side mounted, or set on a flat level surface (see illustration below). Be sure this fixture is kept at least 0.5m away from any flammable materials (decoration etc.). When clamp mounting; always use and install the supplied safety cable as an added safety measure to prevent accidental damage in the event of a clamp failure. See illustration on next page.



Rigging Points

Overhead mounting requires extensive experience, including among others calculating working load limits, a fine knowledge of the installation material being used, and periodic safety inspection of all installation material and the fixture. If you lack these qualifications, do not attempt the installation yourself. Improper installation can result in bodily injury.

Be sure to complete all rigging and installation procedures before connecting main power.

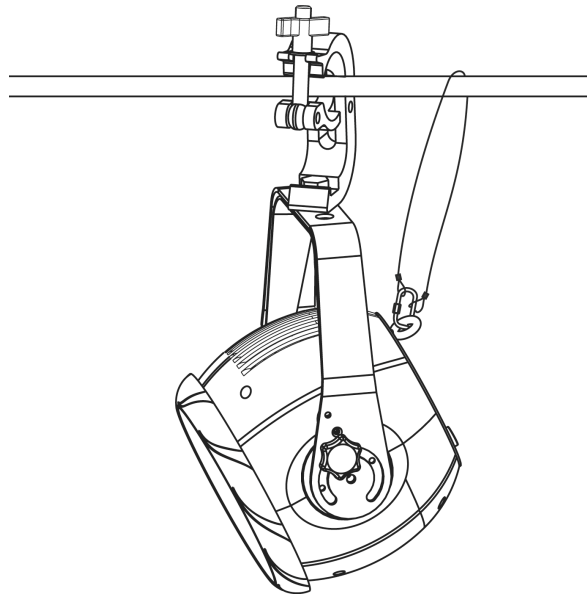


Refer to regulations BGV C1 (formerly VBG 70) and DIN VDE0711-217 for proper installation in Europe To ensure proper installation, only qualified staff should attempt installation.

Clamp Mounting

When mounting this fixture to truss be sure to secure an appropriately rated clamp to the hanging yoke using a M10 screw fitted through the center hole of the hanging yoke. As an added safety measure be sure to attach at least one properly rated safety cable to the

fixture. See illustration on next page.



Securing the Design LED 36WA™

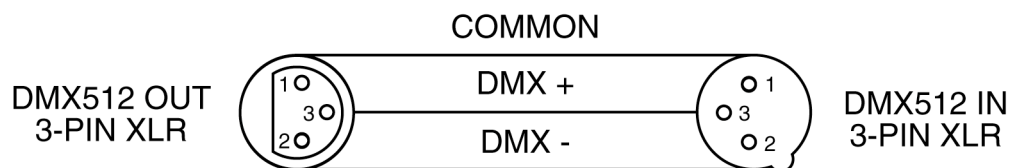


Regardless of the rigging option you choose for your Design LED 36WA™ always be sure to secure your fixture with a safety cable. The fixture provides a built-in rigging point for a safety cable on the hanging bracket as illustrated above. Be sure to only use the designated rigging point for the safety cable and never secure a safety cable to a carrying handle.

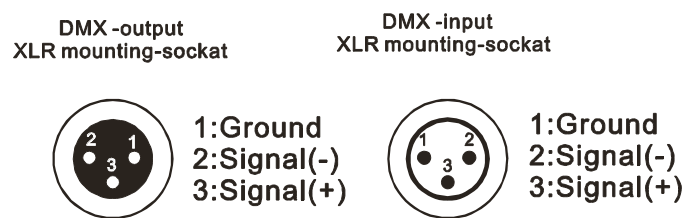
7. UNDERSTANDING DMX

Data Cable (DMX Cable) Requirements (For DMX and Master/Slave Operation):

Your fixture and your DMX controller require a standard 3-pin XLR connector for data input and data output (see figure below). If you are constructing your own cables be sure to use two conductor shielded digital cable rated at a 120 ohms (this cable can be purchased at almost all professional sound and lighting stores). Your cables should be made with a male and female 3-pin XLR connector on either end of the cable.



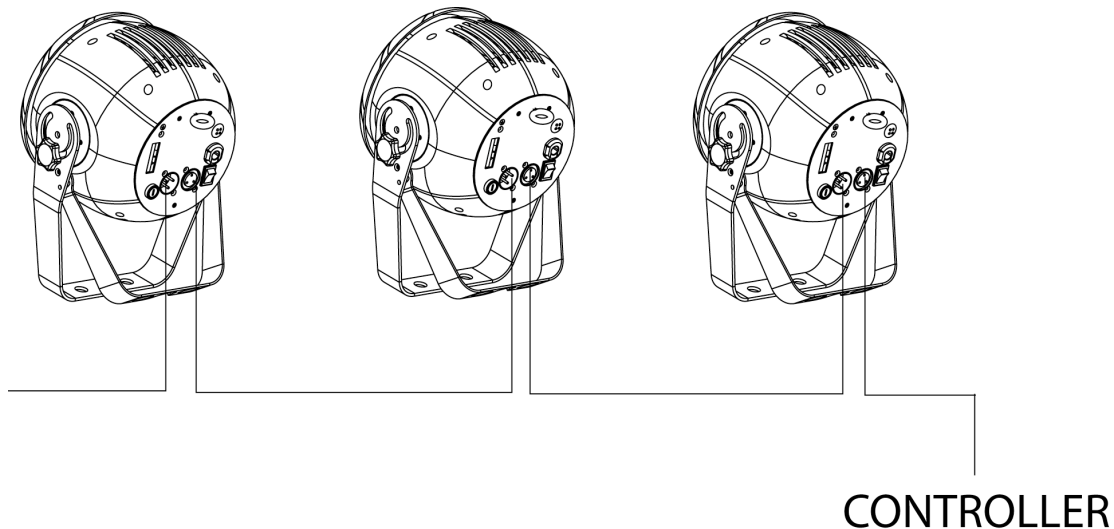
Be sure to follow the above figure when making your own cables. Do not use the ground lug on the XLR connector. Do not connect the cable's shield conductor to the ground lug or allow the shield conductor to come in contact with the XLR's outer casing. Grounding the shield could cause a short circuit and erratic behavior.



DMX-512 control connection

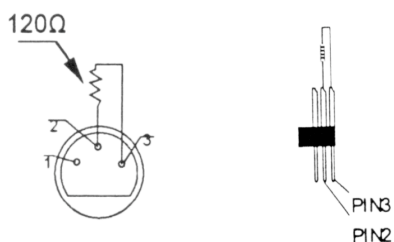
Connect the provided XLR cable to the female 3-pin XLR output of your controller and the other side to the male 3-pin XLR input of the moving head (Please refer to the diagram below.). You can chain multiple moving heads together through serial linking. The cable needed should be two conductor, shielded cable with XLR input and output connectors. Always be sure daisy chain your in and out data connections, never split or “Y” your DMX connections unless you are using an approved DMX splitter such as the Elation Opto

Branch 4™ or DMX Branch/4™.



DMX-512 connection with DMX terminator

When longer runs of cable are used, you may need to use a terminator on the last fixture to avoid erratic behavior. A terminator is a 90-120 ohm 1/4 watt resistor that is connected between pins 2 and 3 of a male XLR connector (DATA + and DATA -). This fixture is inserted in the female XLR connector of the last fixture in your daisy chain to terminate the line. Using a cable terminator (Elation part number Z-DMX/T) will decrease the possibilities of erratic behavior.



Termination reduces signal errors and avoids signal transmission problems and interference. It is always advisable to connect a DMX terminal, (Resistance 120 Ohm 1/4 W) between PIN 2 (DMX-) and PIN 3 (DMX +) of the last fixture.

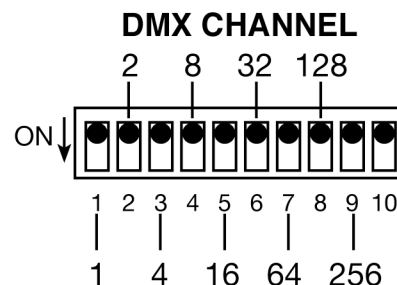
5-Pin XLR DMX Connectors. Some manufactures use 5-pin XLR connectors for DATA transmission in place of 3-pin. 5-pin XLR fixtures may be implemented in a 3-pin XLR DMX line. When inserting standard 5-pin XLR connectors in to a 3-pin line a cable adaptor must be used, these adaptors are readily available at most electric stores. The chart on the next page details a proper cable conversion.

3-Pin XLR to 5-Pin XLR Conversion		
Conductor	3-Pin XLR Female (Out)	5-Pin XLR Male (In)
Ground/Shield	Pin 1	Pin 1
Data Compliment (- signal)	Pin 2	Pin 2
Data True (+ signal)	Pin 3	Pin 3
Not Used		Pin 4 - Do Not Use
Not Used		Pin 5 - Do Not Use

Understanding Fixture DMX addressing;

All fixtures should be given a DMX starting address when using a DMX controller, so the correct fixture responds to the correct control signal. This digital starting address is the channel number from which the fixture starts to “listen” to the digital control information sent out from the DMX controller. The allocation of this starting DMX address is achieved by combining various dipswitches located on the rear of the fixture.

Dipswitch 1 address equals 1
 Dipswitch 2 address equals 2
 Dipswitch 3 address equals 4
 Dipswitch 4 address equals 8
 Dipswitch 5 address equals 16
 Dipswitch 6 address equals 32
 Dipswitch 7 address equals 64
 Dipswitch 8 address equals 128
 Dipswitch 9 address equals 256
 Dipswitch 10 is reserved for special functions



You can set the same starting address for all fixtures, or a group of fixtures, or set different address for each individual fixture. Be advised that setting all you fixtures to the same DMX address will subsequently control all fixtures in the same fashion, in other words, changing the settings of one channel will affect all the fixtures simultaneously.

If you set each fixture to a different DMX address, each unit will start to “listen” to the channel number you have set, based on the quantity of control channels (DMX channels) of each fixture. That means changing the settings of one channel will only affect the selected

fixture.

In the case of the Design LED 36WA™, which is a 3 channel fixture, you should set the starting DMX address of the first unit to 1, the second unit to 4 (3 + 1), the third unit to 7 (3 + 4), and so on. The chart on page 19 details the proper starting DMX address dipswitch setting combination.

8. OPERATING MODES

NOTE: The Design LED 36WA contains a total of 12 dipswitches. Only use dipswitches 1~9 to set the DMX address. Dipswitches 10~12 are used for special functions that are explained below.

Dipswitch 12: Mode Selection - When in the “OFF” position the fixture functions in default mode, which is 3 DMX channels. When in the “ON” position the fixture functions in 1 DMX channel mode.

Dipswitch 10 on & 11 off: Sound-active operation when used as a single stand-alone unit or “master” unit.

Dipswitch 10 on and 11 on: Fixture functions as a “slave” unit in sound-active operation.

Dipswitch 10 off and 11 on: Unit will function in manual mode, see chart below for manual settings.

Working Mode	Dip #11	Dip #10	Dip #9	Dip #8	Dip #7	Dip #6	Dip #5	Dip #4	Dip #3	Dip #2	Dip #1
NO function	OFF	OFF	N/A	N/A	N/A	N/A	N/A	N/A	N/A	N/A	N/A
Slave Mode	ON	ON	N/A	N/A	N/A	N/A	N/A	N/A	N/A	N/A	N/A
Sound Active (Master / Slave Mode)	OFF	ON	N/A	N/A	N/A	N/A	N/A	N/A	N/A	N/A	N/A
Manual Mode – Use Dipswitches to set Intensity	ON	OFF	OFF	OFF	OFF	Use Dipswitches 1~6 to manual control the intensity. When dipswitches 1~6 are all in the “on” position intensity will equal 100%					
Preset Program 1	ON	OFF	speed	speed	ON	OFF	OFF	OFF	OFF	OFF	ON
Preset Program 2	ON	OFF			ON	OFF	OFF	OFF	OFF	ON	OFF
Preset Program 3	ON	OFF			ON	OFF	OFF	OFF	ON	OFF	OFF
Preset Program 4	ON	OFF			ON	OFF	OFF	ON	OFF	OFF	OFF
Preset Program 5	ON	OFF			ON	OFF	ON	OFF	OFF	OFF	OFF
Preset Program 6	ON	OFF			ON	ON	OFF	OFF	OFF	OFF	OFF

Preset Program 7	ON	OFF			ON	OFF	OFF	OFF	OFF	ON	ON
Preset Program 8	ON	OFF			ON	OFF	OFF	OFF	ON	OFF	ON

DMX Operation Notes:

The fixture will function in DMX mode whenever the unit is receiving a DMX signal. Please note that this will override all manual settings regardless of dipswitch positions.

This unit will keep and retain the last DMX command in the event of DMX signal failure. To reset the fixture you must turn the power off.

9. DMX CHANNEL TRAITS:

Mode 1: 3 DMX Channels

%	1 UV LED	2 Auto Program	3 Strobe
100%		Program 8	
75%		Program 7	
50%		Program 6	RANDOM STROBE
25%		Program 5	
0%		Program 4	Pulse-effect in sequences
		Program 3	
		Program 2	
		Program 1	
		Normal	

Mode 2: 1 DMX Channels

%	1 UV LED
100%	
75%	
50%	
25%	
0%	

DMX Mode 1: 3 Channel Mode (Default)

Channel 1 - Intensity:	
0-255	Dimming 0%~100%
Channel 2 - Internal Programs:	
0-10	No function
11-40	Internal program 1
41-70	Internal program 2
71-100	Internal program 3
101-130	Internal program 4
131-160	Internal program 5

161-190	Internal program 6
191-220	Internal program 7
221-255	Internal program 8
Channel 3 - Strobe:	
0	No function (shutter open)
1-95	Strobe effect slow to fast
96-127	No function (shutter open)
128-159	Pulse effect in sequences
160-191	No function (shutter open)
192-223	Random strobe effect slow to fast
224-255	No function (shutter open)

DMX Mode 2: 1 Channel Mode (User Selectable)

Channel 1 - Intensity:	
0-255	Dimming 0%~100%

DMX Address Quick Reference Chart

DIP SWITCHES										Dip Switch Position															
DMX DIP Switch Settings X = OFF O = ON					#9	X	X	X	X	X	X	X	X	O	O	O	O	O	O	O	O	O	O		
					#8	X	X	X	X	O	O	O	O	X	X	X	X	O	O	O	O				
					#7	X	X	O	O	X	X	O	O	X	X	O	O	X	X	O	O				
					#6	X	O	X	O	X	O	X	O	X	O	X	O	X	O	X	O				
					#1	#2	#3	#4	#5																
X	X	X	X	X						32	64	96	128	160	192	224	256	288	320	352	384	416	448	480	
O	X	X	X	X	1	33	65	97	129	161	193	225	257	289	321	353	385	417	449	481					
X	O	X	X	X	2	34	66	98	130	162	194	226	258	290	322	354	386	418	450	482					
O	O	X	X	X	3	35	67	99	131	163	195	227	259	291	323	355	387	419	451	483					
X	X	O	X	X	4	36	68	100	132	164	196	228	260	292	324	356	388	420	452	484					
O	X	O	X	X	5	37	69	101	133	165	197	229	261	293	325	357	389	421	453	485					
X	O	O	X	X	6	38	70	102	134	166	198	230	262	294	326	358	390	422	454	486					
O	O	O	X	X	7	39	71	103	135	167	199	231	263	295	327	359	391	423	455	487					
X	X	X	O	X	8	40	72	104	136	168	200	232	264	296	328	360	392	424	456	488					
O	X	X	O	X	9	41	73	105	137	169	201	233	265	297	329	361	393	425	457	489					
X	O	X	O	X	10	42	74	106	138	170	202	234	266	298	330	362	394	426	458	490					
O	O	X	O	X	11	43	75	107	139	171	203	235	267	299	331	363	395	427	459	491					
X	X	O	O	X	12	44	76	108	140	172	204	236	268	300	332	364	396	428	460	492					
O	X	O	O	X	13	45	77	109	141	173	205	237	269	301	333	365	397	429	461	493					
X	O	O	O	X	14	46	78	110	142	174	206	238	270	302	334	366	398	430	462	494					
O	O	O	O	X	15	47	79	111	143	175	207	239	271	303	335	367	399	431	463	495					
X	X	X	X	O	16	48	80	112	144	176	208	240	272	304	336	368	400	432	464	496					
O	X	X	X	O	17	49	81	113	145	177	209	241	273	305	337	369	401	433	465	497					
X	O	X	X	O	18	50	82	114	146	178	210	242	274	306	338	370	402	434	466	498					
O	O	X	X	O	19	51	83	115	147	179	211	243	275	307	339	371	403	435	467	499					
X	X	O	X	O	20	52	84	116	148	180	212	244	276	308	340	372	404	436	468	500					
O	X	O	X	O	21	53	85	117	149	181	213	245	277	309	341	373	405	437	469	501					
X	O	O	X	O	22	54	86	118	150	182	214	246	278	310	342	374	406	438	470	502					
O	O	O	X	O	23	55	87	119	151	183	215	247	279	311	343	375	407	439	471	503					
X	X	X	O	O	24	56	88	120	152	184	216	248	280	312	344	376	408	440	472	504					
O	X	X	O	O	25	57	89	121	153	185	217	249	281	313	345	377	409	441	473	505					
X	O	X	O	O	26	58	90	122	154	186	218	250	282	314	346	378	410	442	474	506					
O	O	X	O	O	27	59	91	123	155	187	219	251	283	315	347	379	411	443	475	507					
X	X	O	O	O	28	60	92	124	156	188	220	252	284	316	348	380	412	444	476	508					
O	X	O	O	O	29	61	93	125	157	189	221	253	285	317	349	381	413	445	477	509					
X	O	O	O	O	30	62	94	126	158	190	222	254	286	318	350	382	414	446	478	510					
O	O	O	O	O	31	63	95	127	159	191	223	255	287	319	351	383	415	447	479	511					

The center numbers of this chart (1-511) represent a DMX address. The "X"s and "O"s along the top and side of the chart represent dip switch position ("X" for off and "O" for on). Find your desired DMX address from the center chart. Identify the position for dip switches 1-5 from the chart on the left and dip switches 6-9 from the chart on the top. Adjust the dip switches on your fixture to match the position settings of the chart. For fixtures with 10 dip switches; dip switch 10 is reserved for special functions.

10. CLEANING AND MAINTENANCE

The consider the following point during normal service and inspection:

1. Be sure all screws and fasteners are securely tightened at all times. Lose screws may fall out during normal operation resulting in damage or injury as larger parts could fall.
2. All mechanical parts and motors should not show any traces of serious wear and should rotate freely.
3. Electric power supply cables must not show any damage, material fatigue or sediments. Never remove the ground prong from the power cable.

Further instructions depending on the installation spot and usage have to be adhered by a skilled installer and any safety problems have to be removed.



CAUTION!

Disconnect from mains before starting maintenance operation.

We recommend a frequent cleaning of the device. Please use a moist, lint- free cloth. Never use alcohol or solvents.

There are no user serviceable parts inside this fixture with the exception of the lamp. Please refer all other service issues to an authorized Elation service technician.

Should you need any spare parts, please order genuine parts from your local dealer.

11. 2-YEAR LIMITED WARRANTY

A. Elation Professional® hereby warrants, to the original purchaser, Elation Professional® products to be free of manufacturing defects in material and workmanship for a period of two years, (730 days) from the date of purchase. This warranty shall be valid only if the product is purchased within the United States of America, including possessions and territories. It is the owner's responsibility to establish the date and place of purchase by acceptable evidence, at the time service is sought.

B. For warranty service, send the product only to the Elation Professional® factory. All shipping charges must be pre-paid. If the requested repairs or service (including parts replacement) are within the terms of this warranty, Elation Professional® will pay return shipping charges only to a designated point within the United States. If the entire instrument is sent, it must be shipped in its original package. No accessories should be shipped with the product. If any accessories are shipped with the product, Elation Professional® shall have no liability what so ever for loss of or damage to any such accessories, nor for the safe return thereof.

C. This warranty is void if the serial number has been altered or removed; if the product is modified in any manner which Elation Professional® concludes, after inspection, affects the reliability of the product; if the product has been repaired or serviced by anyone other than the Elation Professional® factory unless prior written authorization was issued to purchaser by Elation Professional®; if the product is damaged because not properly maintained as set forth in the instruction manual.

D. This is not a service contract, and this warranty does not include maintenance, cleaning or periodic check-up. During the period specified above, Elation Professional® will replace defective parts at its expense, and will absorb all expenses for warranty service and repair labor by reason of defects in material or workmanship. The sole responsibility of Elation Professional® under this warranty shall be limited to the repair of the product, or replacement thereof, including parts, at the sole discretion of Elation Professional®. All products covered by this warranty were manufactured after January 1, 1990, and bare

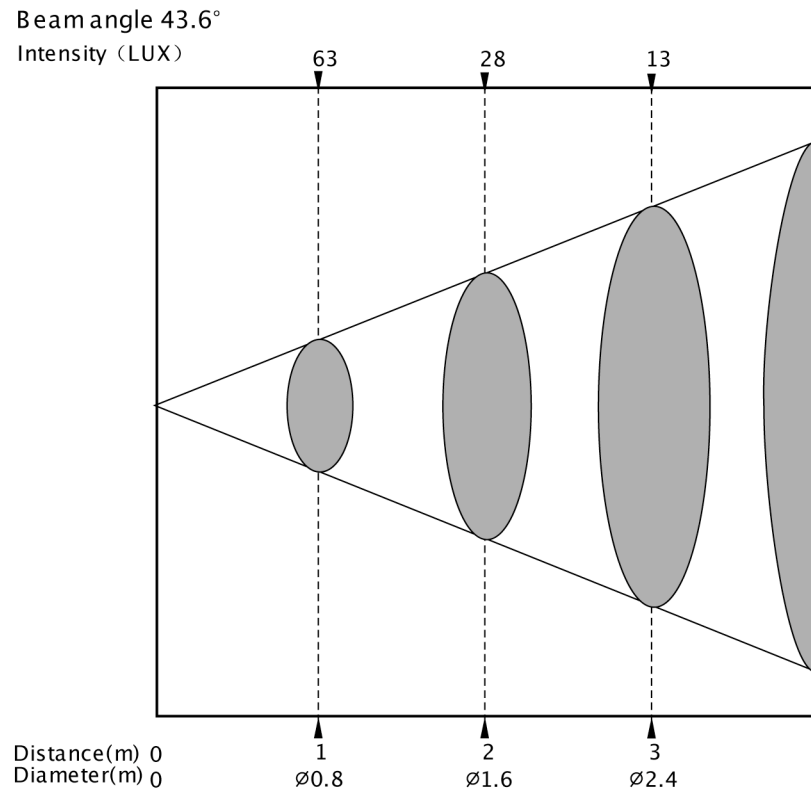
identifying marks to that effect.

E. Elation Professional® reserves the right to make changes in design and/or improvements upon its products without any obligation to include these changes in any products theretofore manufactured.

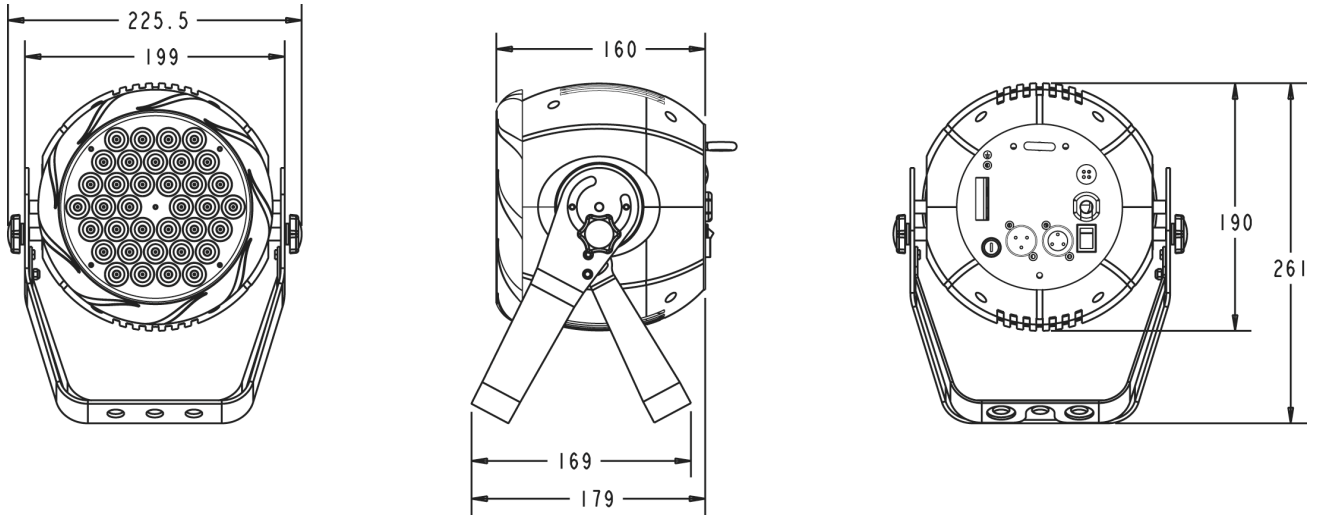
F. No warranty, whether expressed or implied, is given or made with respect to any accessory supplied with products described above. Except to the extent prohibited by applicable law, all implied warranties made by Elation Professional® in connection with this product, including warranties of merchantability or fitness, are limited in duration to the warranty period set forth above. And no warranties, whether expressed or implied, including warranties of merchantability or fitness, shall apply to this product after said period has expired. The consumer's and or Dealer's sole remedy shall be such repair or replacement as is expressly provided above; and under no circumstances shall Elation Professional® be liable for any loss or damage, direct or consequential, arising out of the use of, or inability to use, this product.

G. This warranty is the only written warranty applicable to Elation Professional® Products and supersedes all prior warranties and written descriptions of warranty terms and conditions heretofore published.

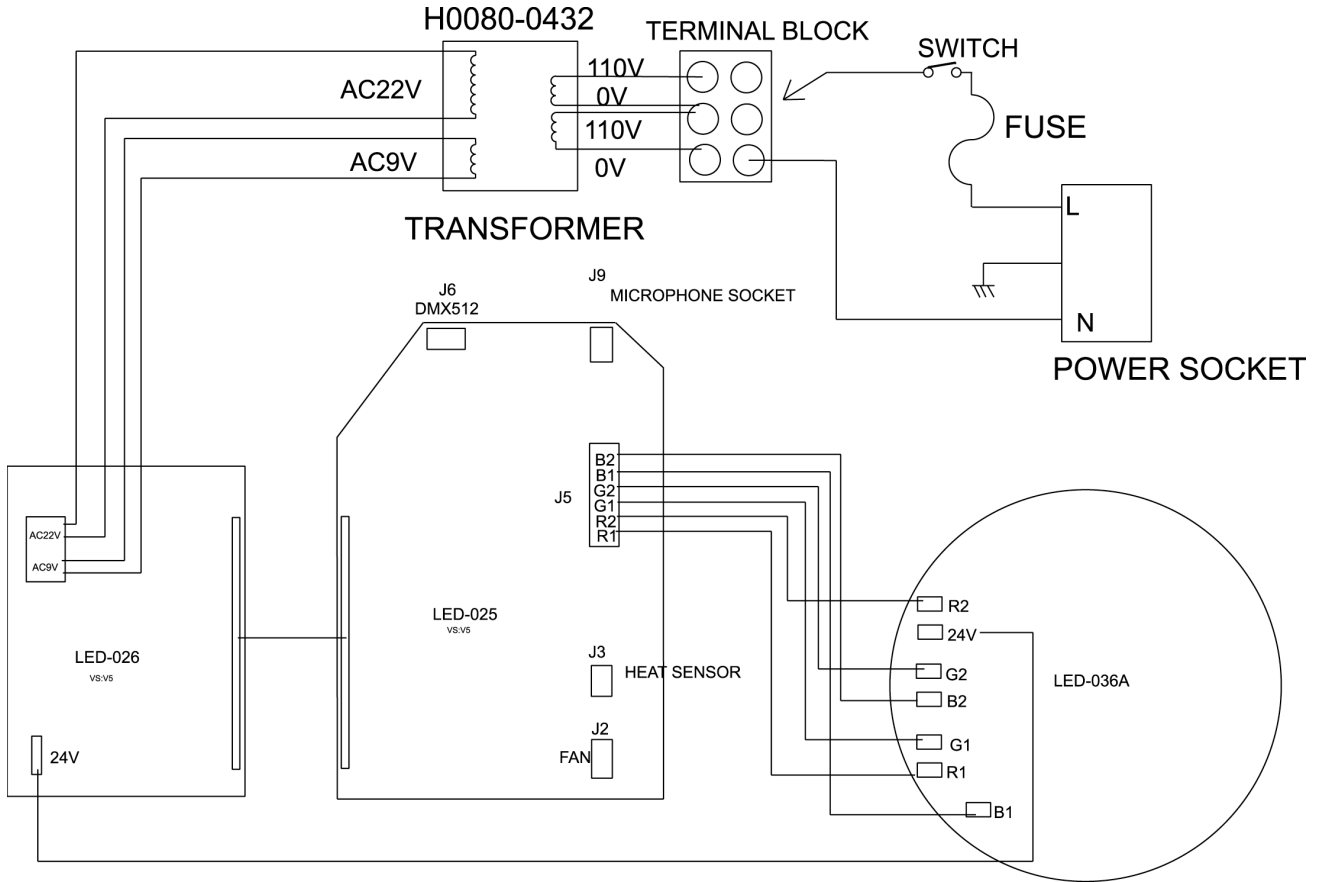
12. PHOTOMETRIC DATA



13. DIMENSIONAL DRAWINGS



14. CIRCUIT SCHEMATIC



15. TECHNICAL SPECIFICATIONS

<i>Power supply:</i>	<i>120v AC 50Hz~60Hz</i>
<i>Power consumption:</i>	<i>MAX 100w</i>
<i>Dimensions:</i>	<i>24 x 24 x17 cm</i>
<i>Weight:</i>	<i>4.5 kg</i>
<i>DMX Channels:</i>	<i>3 Channel mode or 1 Channel mode</i>
<i>Drive:</i>	<i>Standard DMX-512, 3 pole XLR; [+] = Pin 3 [-] = Pin 2 [Ground] = Pin 1.</i>
<i>Color Mixing:</i>	<i>RGB Color Additive Mixing</i>
<i>Beam Angle:</i>	<i>44°</i>
<i>Fuse:</i>	<i>GMA 220v~1A</i>
<i>Dimmer:</i>	<i>Continuous Dimming 0~100%</i>
<i>Strobe:</i>	<i>Electronic Strobe 0~10fps</i>
<i>Lamp Life:</i>	<i>100,00 hours rated lamp life</i>

Please Note: Specifications and improvements in the design of this unit and this manual are subject to change without any prior written notice.

Elation Professional
4295 Charter Street
Los Angeles, CA. 90058
323-582-3322 / 323-582-3108 fax
www.ElationLighting.com / Info@ElationLighting.com