

IP Network Camera

Waterproof IR IP Network Camera



IP Network



Welcome

Thank you for purchasing our IP camera!

This user's manual is designed to be a reference tool for your system.

Please read the following safeguard and warnings carefully before you use this series product! Please keep this user's manual well for future reference!

Our units do not support PAL

Important!

To find your cameras on the network, use the "config Tool" found in the CD(under Software>ConfigTool) that came with your package. Some cameras will be assigned as a DHCP. Therefore, The "IP Config Tool is required to find the camera on the network.

DO NOT Connect all the cameras on the same network at the same time. This will cause IP conflict within your network and you will not be able to access your cameras. Before connecting all the of the IP cameras on the network **One-At-A-Time**.

DO NOT power the camera with both PoE and a power supply at the same time.

If you purchase a PoE(Power Over Ethernet) device from us, Whether as an External POE Switch or built into on of our NVRs, your camera will be powered through the Ethernet cable and will not need to power it with a seperate power supply.

Restrictions may apply

Important Safeguards and Warnings

1 . Electrical safety

All installation and operation here should conform to your local electrical safety codes.

The power shall conform to the requirement in the SELV (Safety Extra Low Voltage) and the Limited power source is rated 12V DC in the IEC60950-1. This series product supports PoE too. **Please note: Do not connect these two power supplying sources to the device at the same time; it may result in device damage!**

We assume no liability or responsibility for all the fires or electrical shock caused by improper handling or installation.

We are not liable for any problems caused by unauthorized modification or attempted repair.

2 . Transportation security

Heavy stress, violent vibration or water splash are not allowed during transportation, storage and installation.

3 . Installation

Do not apply power to the camera before completing installation.

Please install the proper power cut-off device during the installation connection.

Always follow the instruction guide the manufacturer recommended.

4 . Qualified engineers needed

All the examination and repair work should be done by the qualified service engineers.

We are not liable for any problems caused by unauthorized modifications or attempted repair.

5 . Environment

This series IP camera should be installed in a cool, dry place away from direct sunlight, inflammable, explosive substances and etc.

Please keep it away from the electromagnetic radiation object and environment.

Please make sure the CCD (CMOS) component is out of the radiation of the laser beam device.

Otherwise it may result in CCD (CMOS) optical component damage.

Please keep the sound ventilation.

Do not allow the water and other liquid falling into the camera.

Thunder-proof device is recommended to be adopted to better prevent thunder.

The grounding studs of the product are recommended to be grounded to further enhance the reliability of the camera.

6. Daily Maintenance

Please shut down the device and then unplug the power cable before you begin daily maintenance work.

Do not touch the CCD (CMOS) optic component. You can use the blower to clean the dust on the lens surface.

Always use the dry soft cloth to clean the device. If there is too much dust, please use the water to dilute the mild detergent first and then use it to clean the device. Finally use the dry cloth to clean the device.

Please put the dustproof cap to protect the CCD (CMOS) component when you do not use the camera.

7. Accessories

Be sure to use all the accessories recommended by manufacturer.

Before installation, please open the package and check all the components are included.

Contact your local retailer ASAP if something is broken in your package.

Accessory Name	Amount
IP Camera Unit	1
CD	1
Installation Accessories Bag	1

Table of Contents

1	General Introduction
1.1	Overview.....
1.2	Features.....
1.3	Camera Installation.....
1.4	Varifocal lens.....
2	Structure
2.1	Multiple-function Combination Cable
2.2	Framework and Dimension.....
4	Quick Configuration Tool.....
4.1	Overview.....
4.2	Operation.....
5	FAQ
	Appendix Toxic or Hazardous Materials or Elements

1 General Introduction

1.1 Overview

This series IP camera integrates the traditional camera and network video technology. It adopts video data collection, transmission together. It can connect to the network directly without any auxiliary device.

This series IPC uses standard H.264 video compression technology, which maximally guarantees the video quality.

It supports the IR night vision function. In the night environments, the device can use the IR light to highlight the object which is suitable for the surveillance function in the low illumination environments. The waterproof design conforms to the IP 66 level. It has the sound waterproof function suitable for use in the outdoor environments.

It can be used alone or used in a network area. When it is used lonely, you can connect it to the network and then use a network client-end. Due to its multiple functions and various uses, this series IPC is widely used in many environments such as an office, bank, road monitor and etc.

1.2 Features

User Management	<ul style="list-style-type: none">● Different user rights for each group, one user belongs to one group.● The user right shall not exceed the group right.
Storage Function	<ul style="list-style-type: none">● Support central server backup function in accordance with your configuration and setup in alarm or schedule setting● Support record via Web and the recorded file are storage in the client-end PC.● Support network storage function such as FTP.
Network Monitor	<ul style="list-style-type: none">● IPC supports one-channel video data transmit to network terminal and then decode. Delaying time is within 270ms (network bandwidth support needed)● Max supports 20 connections.● Adopt the following video transmission protocol: HTTP, TCP, UDP, MULTICAST, RTP/RTCP, RTSP and etc.● Support web access.
Network Management	<ul style="list-style-type: none">● Realize IPC configuration and management via Ethernet.● Support device management via web or client-end.
Power	<ul style="list-style-type: none">● External power adapter DC 12V.● Support PoE. <p>Warning ! Do not connect these two power supplying sources to the device at the same time; it may result in device damage!</p>
Assistant Function	<ul style="list-style-type: none">● Log function● Support system resource information and running status real-time display.● Day/Night mode auto switch.● Support picture parameter setup such as electronic shutter and gain setup.● Support motion detect.● Backlight compensation: screen auto split to realize backlight compensation to adjust the bright.● Support video watermark function to avoid vicious video modification.● Built-in IR light. Support IR night vision.● The enclosure conforms to the IP 66 protection. Has the waterproof function.

1.3 Camera Installation

Dome Installation

Step 1

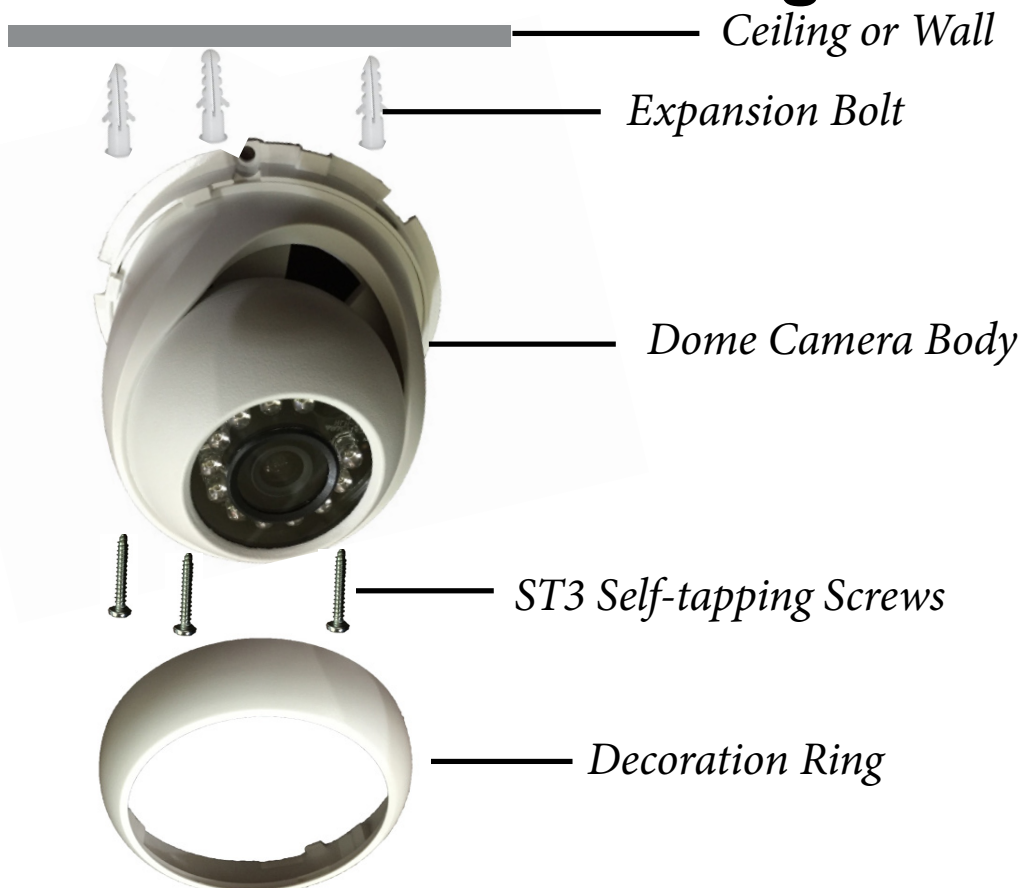
If included please take the installation position map from the accessories bag, and then paste it on the ceiling or the wall according to your monitoring area requirements. Draw and then drill holes in the installation surface and then insert expansion(anchor) bolts in the holes. Secure these bolts firmly.

Step 2

Turn counter clockwise to remove the decoration ring(plastic housing), turn the pan base to the pedestal to loosen or secure firmly(metal housing) or Use the inner hex wrench to remove the three enclosure fastening screws and then remove the dome enclosure(glass enclosure). Adjust the pedestal position according to the cable exit move(ceiling/side). Pull the cable through the cable side exit at the installation surface and the pedestal.

(Please skip this step if you are mounting on a ceiling). Line up the screw holes at the bottom of the pedestal to the expansion bolts in the installation surface. Put three self-tapping screws to expansion bolts and then secure firmly. Now the pedestal is on installation surface.

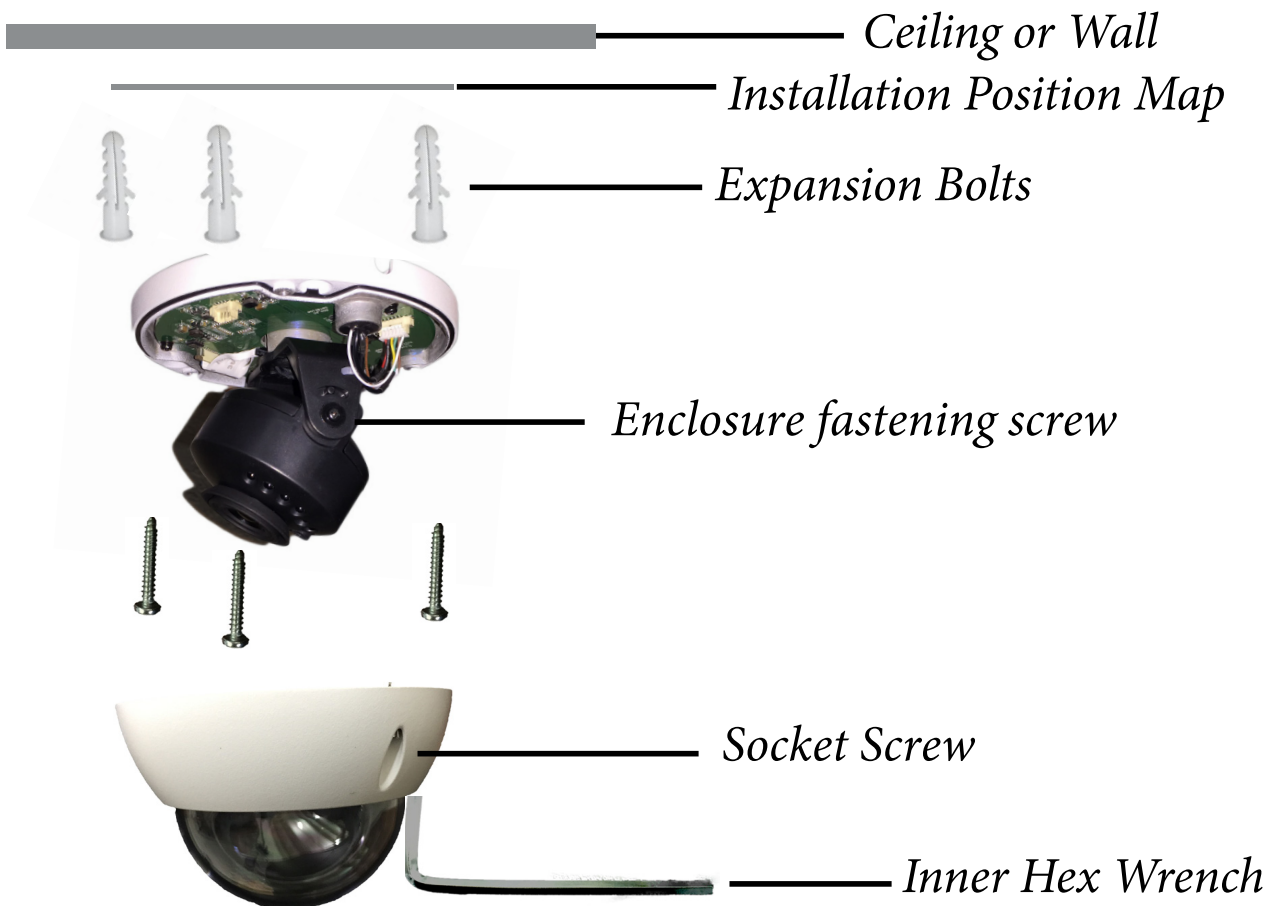
Plastic Housing



Metal Housing



Glass Enclosure

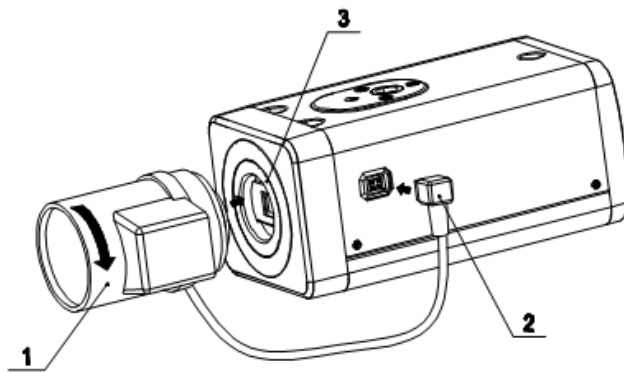


Box Camera Lens Installation

Auto Aperture Lens

Please follow the steps listed below for auto aperture lens installation.

- Remove the CCD protection cap of the device, and then line up the lens to the proper installation position. Turn clockwise until the lens is fixed firmly.
- Insert the lens cable socket to the auto lens connector in the side panel.
- Adjust focus length.



Bullet Installation



Before you install the bracket, please pull the cable through the cable exit of the bracket chassis.

Important

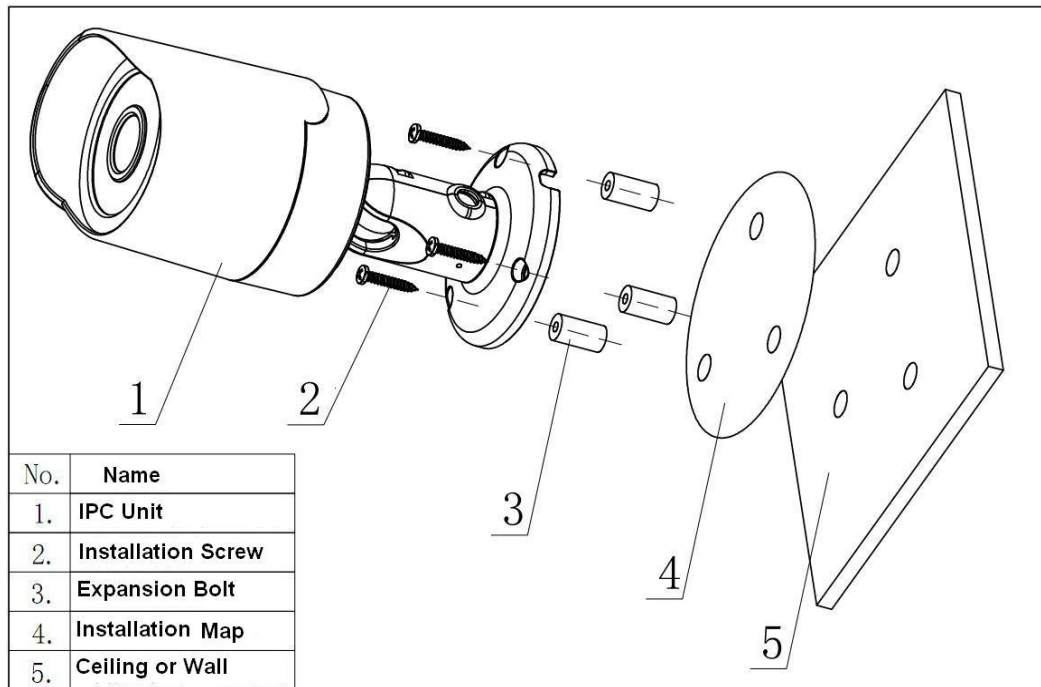
The installation wall shall min sustain 3X weight of the bracket and camera.

Step 1

Paste the installation map on the surface of the wall or the ceiling.

Step 2

Dig the installation holes according to the installation map.



Step 3

Open the accessories bag and then take the expansion bolt out. Insert the expansion bolt into the installation holes.

Step 4

Take the screws from the accessories bag and then use them to secure the device on the installation surface of the wall or the ceiling. The sun shield of the device can move forward or backward. Please secure the set screw of the sun shield after you fixed the device. **Step 5**

Connect the corresponding cables.

Step 6

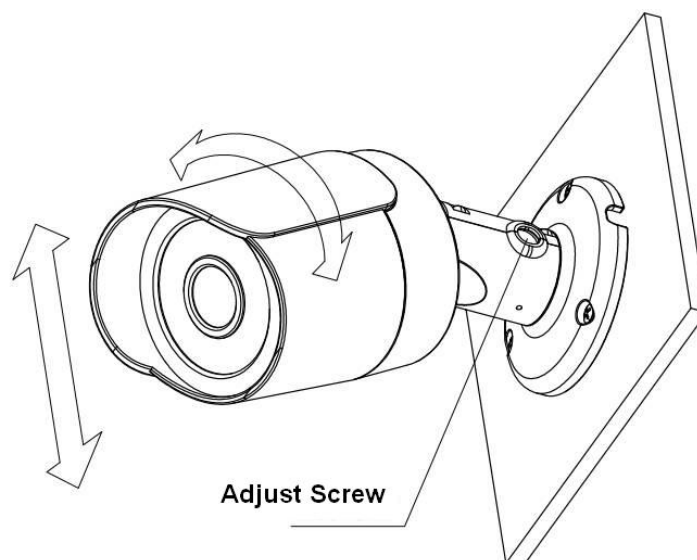
Use the cross-head screwdriver to loosen the adjust screw.

Step 7

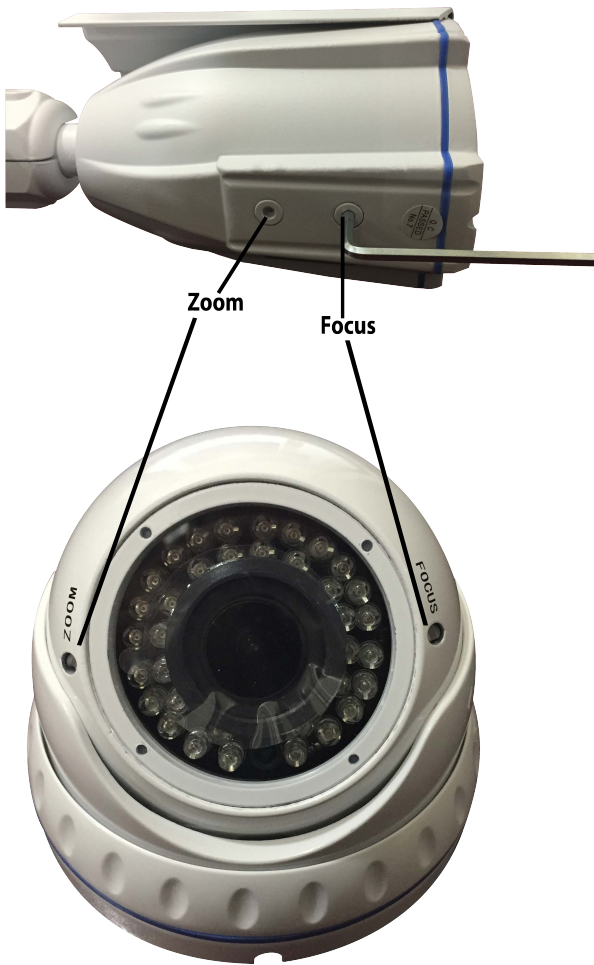
Turn the device in different directions to make it suitable for the monitor position.

Step 8

Use the cross-head screwdriver to fix the adjust screw firmly.



1.4 Variofocal lens



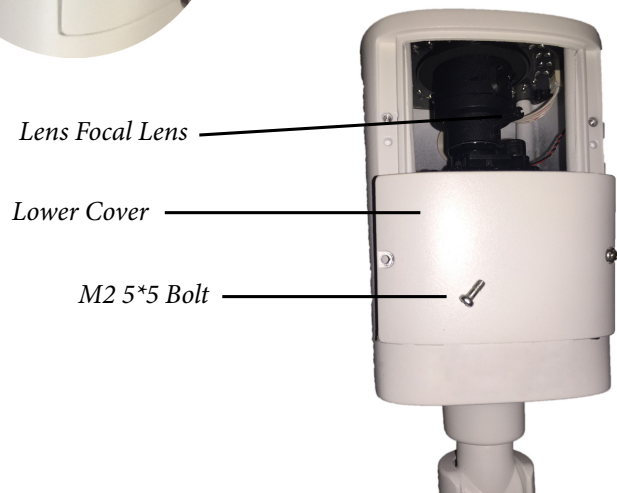
Each camera will be a little different. Some adjustable lens cameras are adjusted manually on the camera.

In other cameras the adjustable lever can be found in the inside of the camera



VariFocal Camera

*Unscrew M2 5*5 Bolt from the lower cover of the camera. Remove the Cover and adjust the VariFocal (zoom) to your preference.*



2.1 Multiple-function Combination Cable

You can refer to the following figure for multiple-function combination cable information. See Figure 2-1.

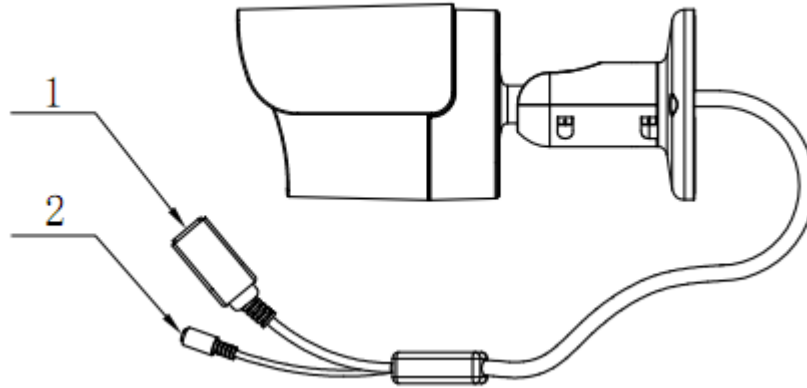


Figure 2-1

Please refer to the following sheet for detailed information.

Port Name	Function	Connection	Note
1.LAN	Network port	Ethernet port	Connect to standard Ethernet cable.
2.DC12V	Power input port	/	Power input port. Input DC 12V.

3 Quick Configuration Tool

3.1 Overview

Quick configuration tool can search current IP address, modify IP address. At the same time, you can use it to upgrade the device.

Please note the tool only applies to the IP addresses in the same segment.

3.2 Operation

Double click the “ConfigTools.exe” icon, you can see an interface is shown as in Figure 3-1. In the device list interface, you can view device IP address, port number, subnet mask, default gateway, MAC address and etc.

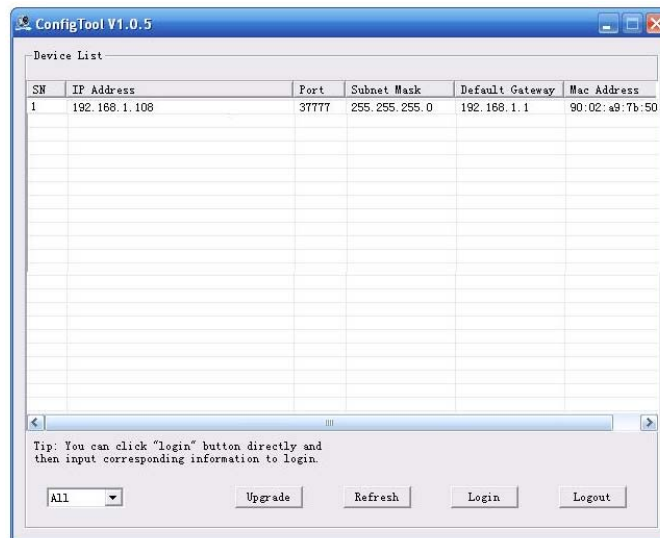


Figure 3-1

Select one IP address and then right click mouse, you can see an interface is shown as in Figure 3-2.

Note:

You can set the IP address, subnet mask and gateway for the IPC and PC. Please note IPC IP address and PC IP address shall be in the same network segment if there is no router. IPC default IP address is 192.168.1.108 or DHCP. If there is a router, please set the corresponding gateway and subnet mask. The factory default user name is **admin** and password is **admin**. For security reasons, please modify your password after you first login.

For detailed WEB operation, please refer to the IPC Web Operation Manual in the resource CD.

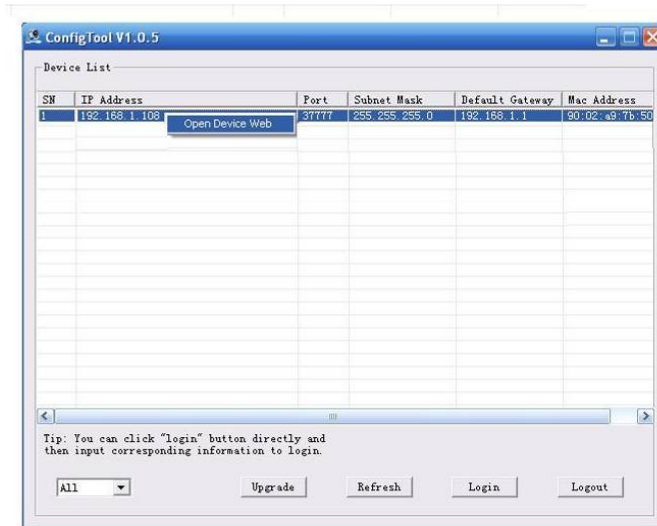


Figure 3-2

Select the “Open Device Web” item; you can go to the corresponding web login interface. See Figure 3-3.

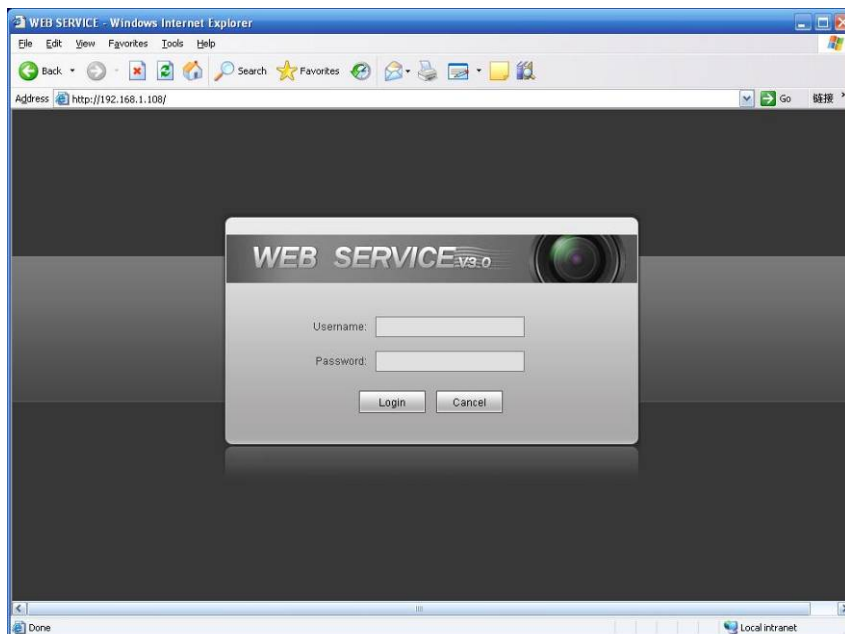


Figure 3-3

If you want to modify the device IP address without logging in the device web interface, you can go to the configuration tool main interface to set.

In the configuration tool search interface (Figure 3-1), please select a device IP address and then double click it to open the login interface. Or you can select an IP address and then click the Login button to go to the login interface. See Figure 3-4.

In Figure 3-4, you can view device IP address, user name, password and port. Please modify the corresponding information to login.

Please note the port information here shall be identical with the port value you set in TCP port in Web Network interface. Otherwise, you can not login the device.

If you are use device background upgrade port 3800 to login, other setups are all invalid.

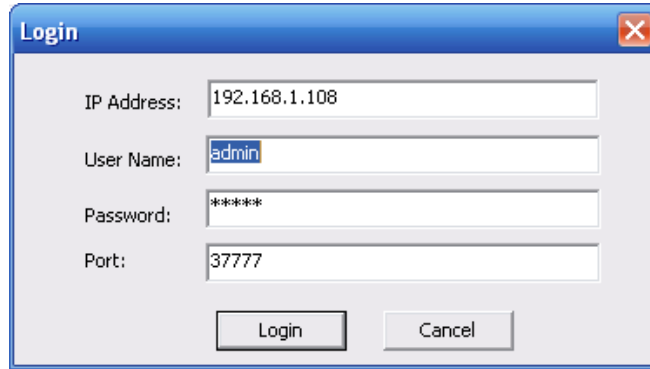


Figure 3-4

After you logged in, the configuration tool main interface is shown as below. See Figure 3-5.

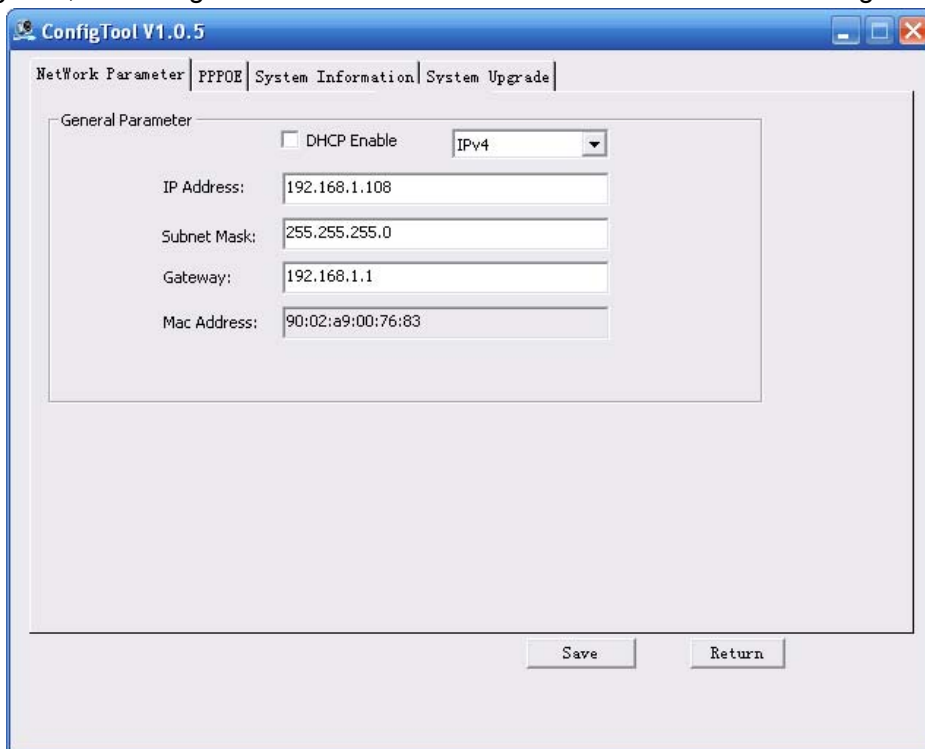


Figure 3-5

For detailed information and operation instruction of the quick configuration tool, please refer to the *Quick Configuration Tool User's Manual* included in the resources CD.

4 Web Operation

This series IPC product support the Web access and management via PC.

Web includes several modules includes monitor channel preview, system configuration, alarm and etc.

4.1 Network Connection

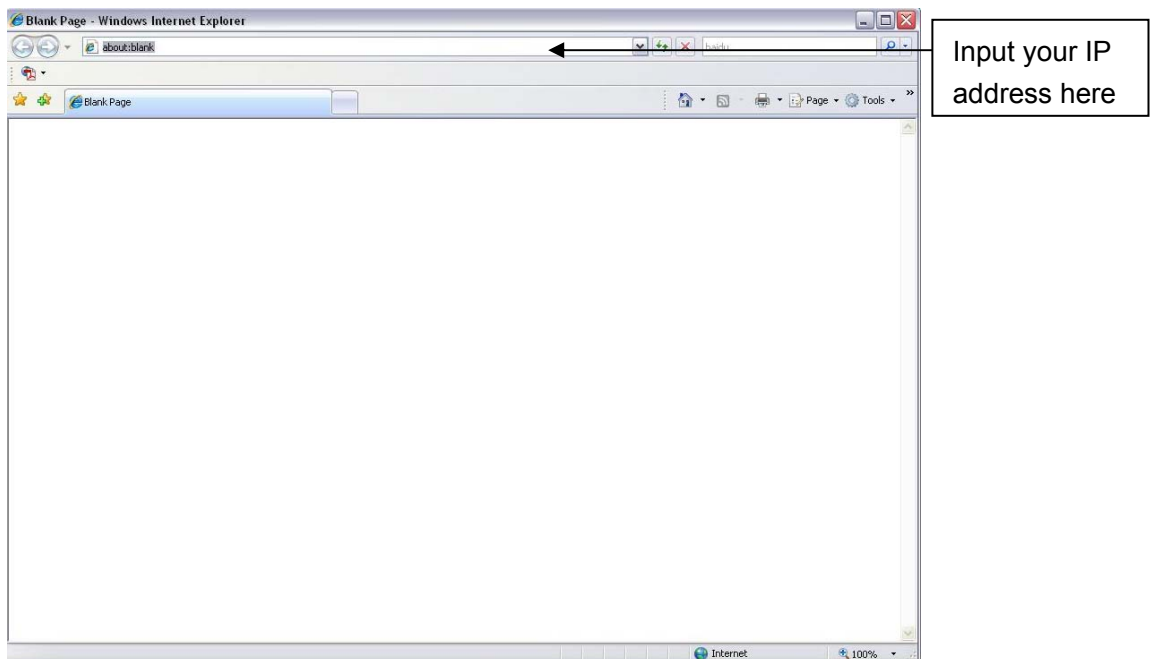
Please follow the steps listed below for network connection.

- Make sure the IPC has connected to the network properly.
- Please set the IP address, subnet mask and gateway of the PC and the IPC respectively. IPC default IP address is 192.168.1.108 or DHCP. Subnet mask is 255.255.255.0. Gateway is 192.168.1.1
- Use order ping `***.***.***.***`(IP camera address) to check connection is OK or not.

4.2 Login and Logout

Open IE and input IP camera address in the address bar.

For example, if your camera IP is 192.168.1.108, then please input `http:// 192.168.1.108` in IE address bar.

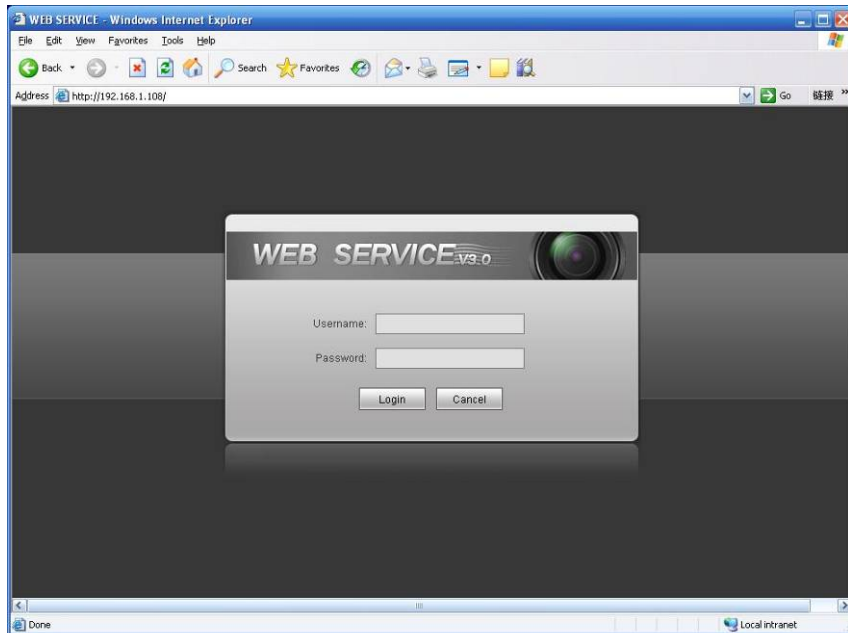


The login interface is shown as below.

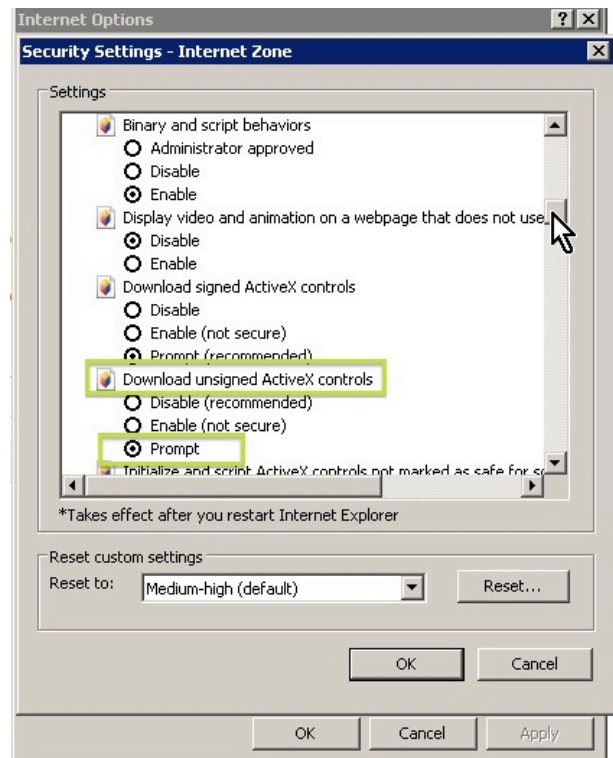
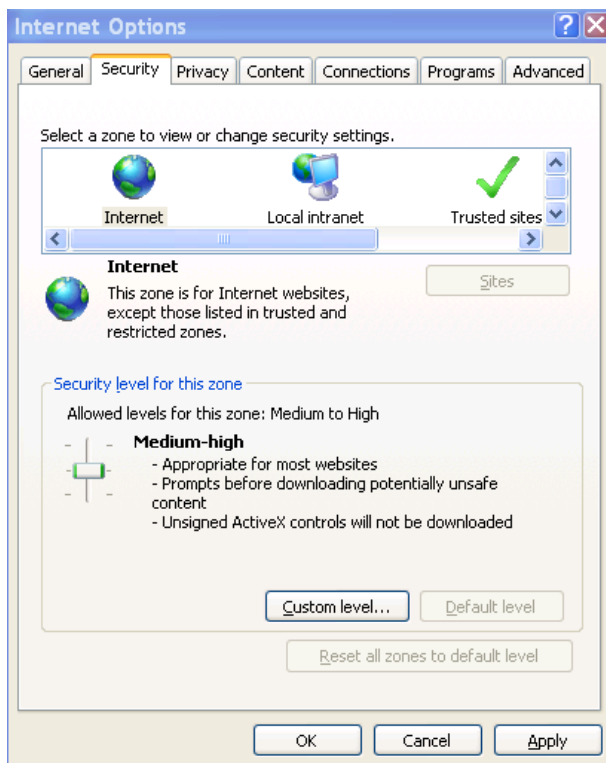
Please input your user name and password.

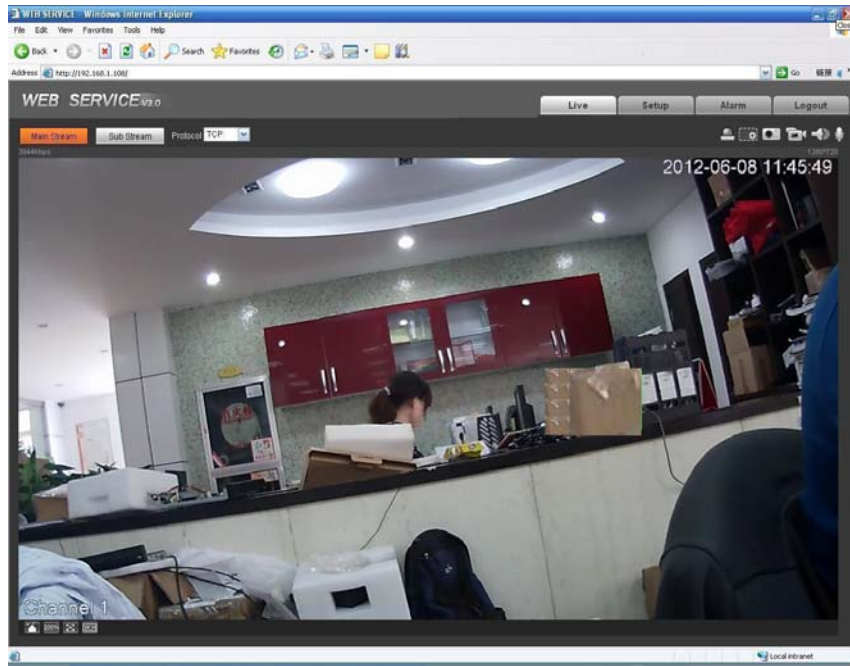
Default factory name is admin and password is admin.

Note: For security reasons, please modify your password after you first login.



If it is your first time to login in, system pops up warning information to ask you whether install control webrec.cab or not after you logged in for one minute. Please click OK button, system can automatically install the control. When system is upgrading, it can overwrite the previous Web too. If you can't download the ActiveX file, please check whether you have installed the plug-in to disable the control download. Or you can lower the IE security level.





Please refer to the Web Operation Manual included in the resource CD for detailed operation instruction.

5 FAQ

Bug	
I can not boot up the device or operate properly.	Please click RESET button for at least five seconds to restore factory default setup.
The water leakage occurred.	<p>The unauthorized front or rear cap remove many result in water leakage.</p> <p>The glass front cap has sustained heavy push or strike.</p> <p>The waterproof plug of the rear cap becomes loosen.</p>
IR video is poor.	<p>Do not use the proper supplying power. The IR light can not turn on completely.</p> <p>The object is out of the IR distance range of current device.</p> <p>IR-CUT does not turn to the night mode. The photosensitive chip of the front-end can not sense the IR light.</p>
I can not upgrade the device via network.	When network upgrade operation failed, you can use port 3800 to continue upgrade.
I can not login the client-end or the WEB.	<p>For Windows OS 98 or Windows ME user, if you can not install the client-end or can not view after the installation. We recommend the win2000sp4 OS or install the client-end of the low version.</p> <p>The Active X control is blocked.</p> <p>The display card version shall be dx8.1 or higher.</p> <p>Network connection error occurred.</p> <p>Invalid network setup.</p> <p>Invalid user name or password.</p>
I can not play the download file.	<p>There is no player.</p> <p>There is no DX8.1 or higher.</p> <p>For the MEDIA PLAYER, there shall be Div X503Bundle.exe plugin if you play the .AVI file.</p> <p>For Windows XP user, you need to install the plugin DivX503Bundle.exe and ffdsho-2004 1012.exe.</p>
To guarantee setup update	After you modified the important setup, please reboot the device via the software to make sure the setup has been updated to the storage medium.
Power adapter	<p>The power adapter included in the accessories bag can work ranging from 0℃ to 40℃. The device may result in unstable power supply when the temperature exceeds the working temperature.</p> <p>Please replace an industry-level power adapter if you are using in the harsh environments.</p>

Appendix Toxic or Hazardous Materials or Elements

Component Name	Toxic or Hazardous Materials or Elements					
	Pb	Hg	Cd	Cr VI	PBB	PBDE
Circuit Board Component	○	○	○	○	○	○
Device Construction Material	○	○	○	○	○	○
Wire and Cable	○	○	○	○	○	○
Packing Components	○	○	○	○	○	○
Accessories	○	○	○	○	○	○

O: Indicates that the concentration of the hazardous substance in all homogeneous materials in the parts is below the relevant threshold of the SJ/T11363-2006 standard.

X: Indicates that the concentration of the hazardous substance of at least one of all homogeneous materials in the parts is above the relevant threshold of the SJ/T11363-2006 standard. During the environmental-friendly use period (EFUP) period, the toxic or hazardous substance or elements contained in products will not leak or mutate so that the use of these (substances or elements) will not result in any severe environmental pollution, any bodily injury or damage to any assets. The consumer is not authorized to process such kind of substances or elements, please return to the corresponding local authorities to process according to your local government statutes.

Note

- **This user's manual is for reference only. Slight difference may be found in user interface.**
- **All the designs and software here are subject to change without prior written notice.**
- **If there is any uncertainty or controversy, please refer to the final explanation of us.**
- **Please visit our website for more information.**