

PARTS LIST

POWER SPRAYER

RS5B

NOTE :

1. Use KOMATSU ZENOAH genuine parts as specified in the parts list for repair and/or replacement.
2. KOMATSU ZENOAH does not warrant the machines, which have been damaged by the use of any parts other than those specified by the company.
3. When placing parts orders for repair and/or replacement, check if the model name and the serial number are applicable to those specified in the parts list, then use parts number described in the parts list.
4. The contents described in the parts list are accurate as of July 1997 and may change due to improvement.
5. The parts for the machine shall be supplied ten (10) years after the machine is discontinued. [It is possible that some specific parts may be subject to change of their delivery term and list price within the limit of ten (10) years after the machine is discontinued. It is also possible that some parts may be available even after the limit of ten (10) years.]

Fig.1 FRAME and TANK GROUP

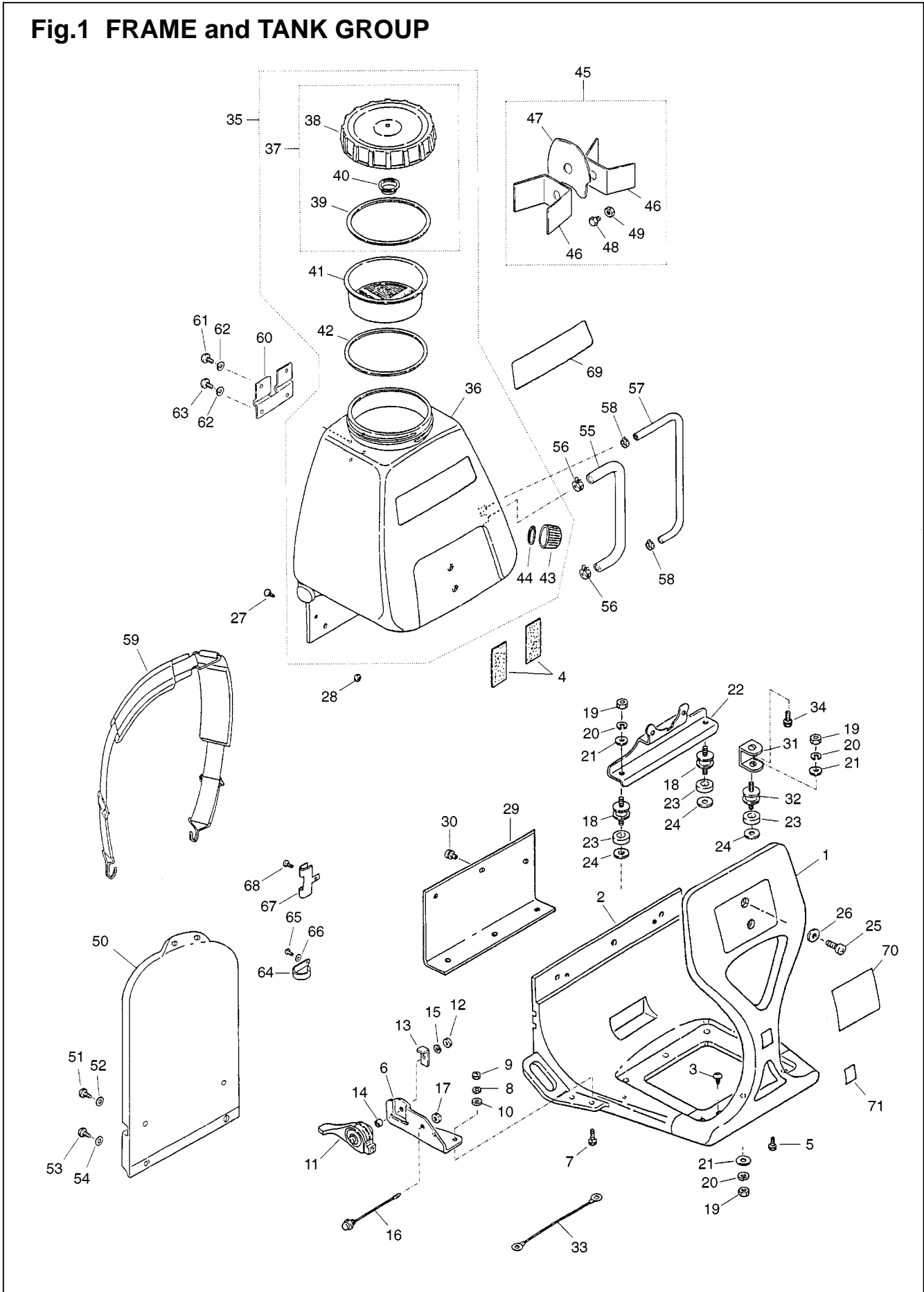


Fig.1 FRAME and TANK GROUP

Key#	PART NUMBER	DESCRIPTION	Q'TY /UNIT	NOTE	Key#	PART NUMBER	DESCRIPTION	Q'TY /UNIT	NOTE
1	2463-21110	FRAME,flont	1		57	2463-25430	HOSE	1	
2	2463-21120	FRAME,base	1		58	2463-25440	CLIP	2	
3	2463-21130	SCREW	2		59	2463-25500	HARNESS ASSY	1	
4	2463-21140	DUMPER,sponge	2		60	2463-25610	BRACKET	1	
5	2463-21150	SCREW	1		61	2463-25620	SCREW	2	
6	2463-21210	BRACKET	1		62	01602-20619	WASHER	4	
7	0225-00616	BOLT	2		63	2461-25630	SCREW	2	
8	01602-20619	WASHER	2		64	2463-25640	BAND	1	
9	0280-10605	NUT	2		65	2463-25650	SCREW	1	
10	01641-20608	WASHER	2		66	2461-25680	WASHER	1	
11	5542-82200	THROTTLE LEVER	1		67	2463-25660	BAND	1	
12	5580-83100	CABLE	1		68	2463-25670	SCREW	1	
13	2463-21220	STOPPER	1		69	2464-25710	LABEL	1	
14	2463-21230	COLLAR	1		70	2464-25720	LABEL	1	
15	2463-21240	WASHER	1		71	2463-25740	LABEL	1	
16	2463-21310	SWITCH	1						
17	2463-21320	NUT	1						
18	2461-21520	DUMPER	2						
19	2461-21530	NUT	6						
20	2461-21540	WASHER	6						
21	2461-21550	WASHER	6						
22	2461-21510	BASE	1						
23	2461-21560	COLLAR	3						
24	2461-21570	WASHER	3						
25	2463-21410	SCREW	2						
26	2463-21420	WASHER	2						
27	2461-21430	SCREW	3						
28	2463-21440	NUT	3						
29	2463-21610	COVER,frame	1						
30	2463-21620	SCREW	6						
31	2463-21560	BASE,engne	1						
32	2461-21720	DUMPER	1						
33	5542-73200	CORD COMP	1						
34	2463-21570	BOLT	1						
35	2463-25000	TANK ASSY	1						
36	2463-25110	• TANK	1						
37	2463-25200	• CAP ASSY	1						
38	2463-25210	•• CAP	1						
39	2463-25220	•• PACKING	1						
40	2463-25230	•• BREATHER	1						
41	2463-25240	•• STRAINER	1						
42	2463-25250	•• PACKING	1						
43	2463-25260	•• CAP,drain	1						
44	2463-25270	•• PACKING	1						
45	2463-25900	PLATE ASSY	1						
46	2463-25910	• PLATE,side	2						
47	2463-25920	• PLATE,center	1						
48	2463-25930	• BOLT	1						
49	2463-25940	• NUT	1						
50	2462-25310	PAD	1						
51	2461-25320	SCREW	2						
52	2461-25330	WASHER	2						
53	2461-25340	SCREW	2						
54	2461-25350	WASHER	2						
55	2461-25410	HOSE,intake	1						
56	2463-25420	CLIP	2						

Fig.2 PUMP and NOZZLE GROUP

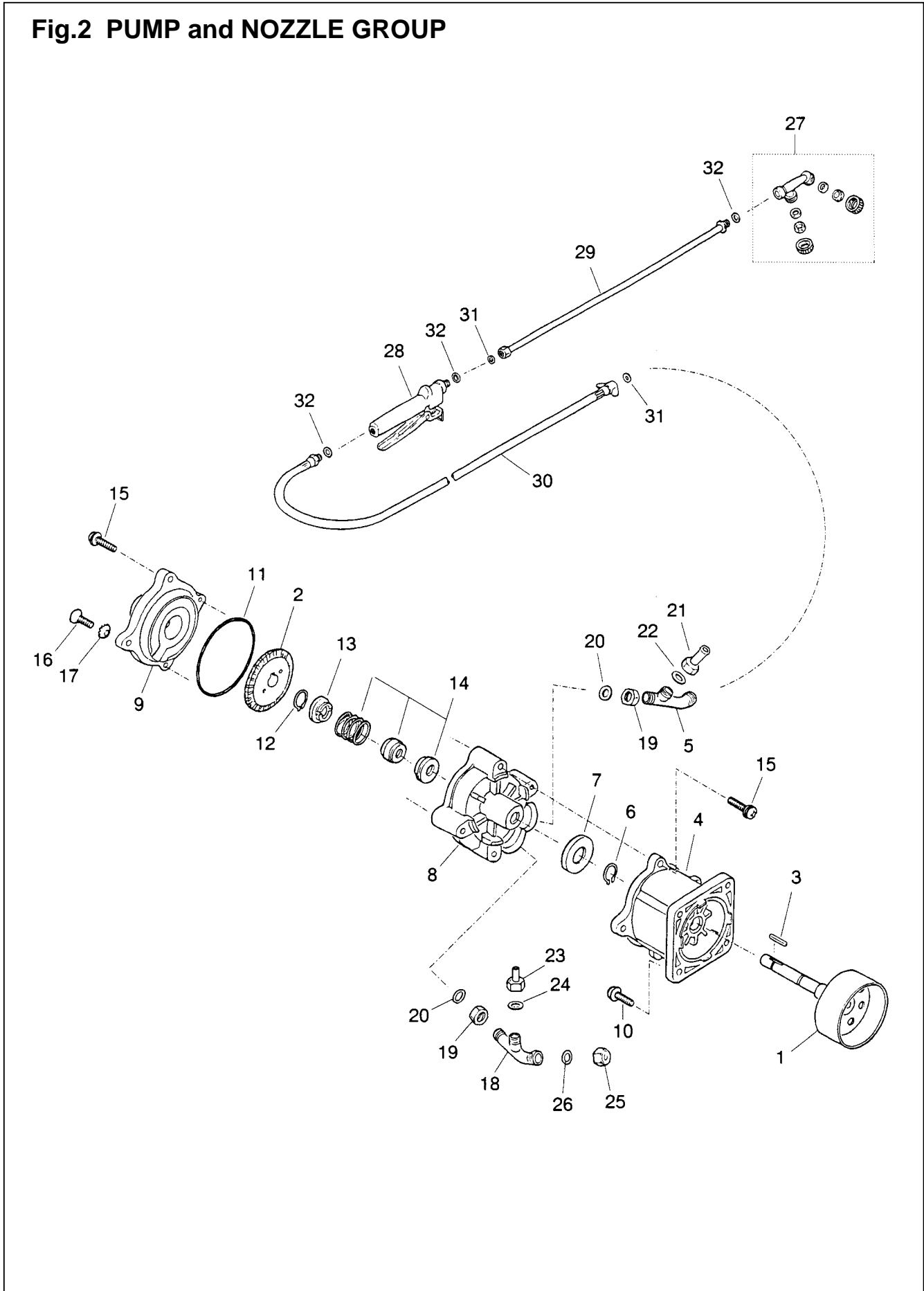


Fig.2 PUMP and NOZZLE GROUP

Key#	PART NUMBER	DESCRIPTION	Q'TY /UNIT	NOTE	Key#	PART NUMBER	DESCRIPTION	Q'TY /UNIT	NOTE
1	2461-11110	SHAFT	1						
2	2461-12220	IMPELLER	1						
3	2461-11120	KEY	1						
4	2461-11210	CASE,clutch	1						
5	2461-12310	PIPE	1						
6	2461-11220	CLIP	1						
7	2461-11230	PROTECTOR	1						
8	2461-12110	PUMP BODY	1						
9	2461-12120	COVER	1						
10	2461-11130	SCREW	4						
11	2461-12210	O-RING	1						
12	2461-12230	CLIP	1						
13	2461-12240	COLLAR	1						
14	2461-12250	SEAL	1						
15	2461-12260	SCREW	7						
16	2461-12270	SCREW	1						
17	2461-12280	WASHER	1						
18	2461-12310	PIPE	1						
19	2461-12320	NUT	2						
20	2461-12330	O-RING	2						
21	2461-12340	SOCKET	1						
22	2461-12350	PACKING	1						
23	2461-12360	SOCKET	1						
24	2461-12350	PACKING	1						
25	2461-12370	CAP	1						
26	2463-12650	PACKING	1						
27	2463-25800	NOZZLE	1						
28	2463-25850	COCK	1						
29	2463-25860	PIPE	1						
30	2463-25870	HOSE	1						
31	2463-25880	PACKING	2						
32	2463-25890	PACKING	3						

Fig.3 ENGINE GROUP

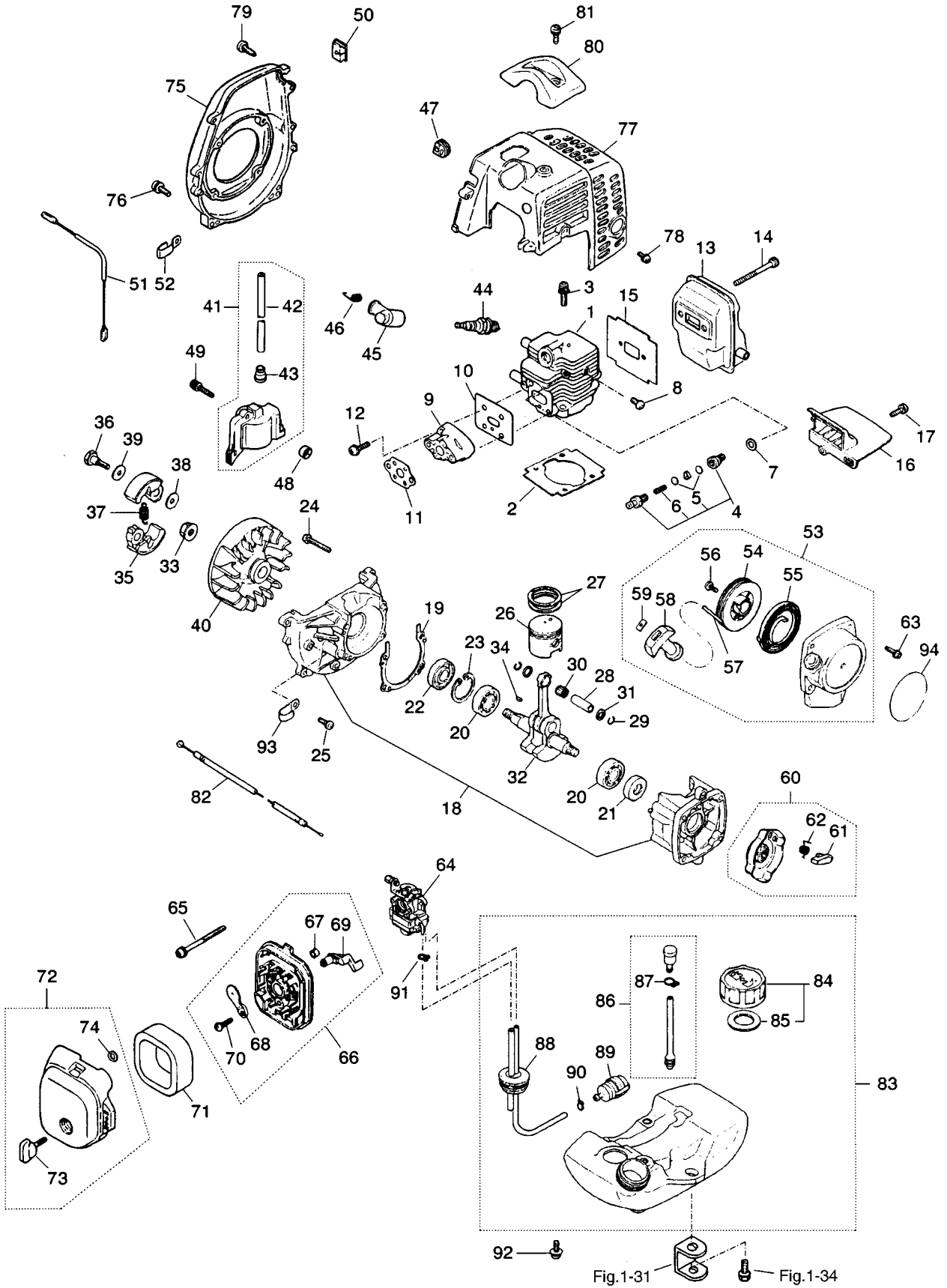


Fig.3 ENGINE GROUP

Key#	PART NUMBER	DESCRIPTION	Q'TY /UNIT	NOTE	Key#	PART NUMBER	DESCRIPTION	Q'TY /UNIT	NOTE
1	5521-12110	CYLINDER	1		57	1850-75160	• ROPE	1	
2	5500-12211	GASKET,base	1		58	1140-75320	• KNOB	1	
3	1850-12130	BOLT	2		59	5500-75170	PLATE	1	
4	1980-14001	DECOMPVALVE ASSY	1		60	1850-75201	PULLY ASSY	1	
5	1980-14320	• DISK	2		61	1850-75221	• RATCHET	1	
6	1980-14321	• SPRING	1		62	1850-75230	• SPRING	1	
7	1980-14610	WASHER	1		63	0263-90416	SCREW M4x16	4	
8	5521-14620	SCREW	1		64	5500-81002	CARBURETOR ASSY	1	
9	5500-13162	INSULATOR	1		65	0263-90560	SCREW M5x60	2	
10	5500-13120	GASKET,insulator	1		66	5500-82101	BODY ASSY	1	
11	5500-13130	GASKET,carburetor	1		67	1970-82190	• SLEEVE	2	
12	0263-90520	SCREW M5x20	2		68	5500-82131	• PLATE,choke	1	
13	5580-15110	MUFFLER	1		69	5500-82140	• LEVER,choke	1	
14	01252-30550	BOLT M5x50	2		70	2630-33610	• SCREW ø4 CR	1	
15	5500-15210	GASKET,muffler	1		71	5500-82171	ELEMENT,filter	1	
16	5500-15220	PLATE,muffler	1		72	5600-82201	COVER ASSY	1	
17	0263-90416	SCREW M4x16	1		73	5500-82221	• KNOB	1	
18	5500-21100	CRANKCASE COMP	1		74	5500-82230	• RING	1	
19	5500-21140	GASKET,case	1		75	5501-31111	COVER,fan	1	
20	06030-06001	BEARING 12x28x8	2		76	0263-90520	SCREW M5x20	4	
21	2169-21210	OIL SEAL 12x22x7	1		77	5580-32111	COVER,engine	1	
22	1850-21220	OIL SEAL 12x28x7	1		78	1850-32160	SCREW M4x12	1	
23	04065-02812	SNAP RING ø28	1		79	1900-31410	SCREW ø4 CR	2	
24	01252-30530	BOLT M5x30	4		80	5500-32210	GUARD,plug	1	
25	0263-90514	SCREW M5x14	1		81	0263-90514	SCREW M5x14	1	
26	5600-41111	PISTON ø32	1		82	5580-83100	CABLE COMP	1	
27	1100-41210	RING ø32	2		83	5911-85000	TANK ASSY	1	
28	1101-41310	PIN ø8	1		84	5500-85201	• CAP ASSY	1	
29	1260-41320	SNAP RING	2		85	5500-85220	•• GASKET	1	
30	1140-41330	BEARING 8x11x9	1		86	5500-85601	• BREATHER ASSY	1	
31	1101-41340	THRUST WASHER	2		87	1950-86120	•• CLIP	1	
32	5500-42001	CRANKSHAFT COMP	1		88	5911-85300	• PIPE COMP	1	
33	1650-43230	NUT M8	1		89	5500-85400	• FILTER ASSY	2	
34	1000-43240	KEY	1		90	1260-85460	• CLIP	1	
35	1140-51111	SHOE,clutch	1		91	1950-86120	CLIP	1	
37	1140-51250	SCREW,clutch	1		92	5500-85510	SCREW M5x16	1	
36	1970-51221	SPRING,clutch	1		93	1140-72231	CLAMP	1	
38	1140-51230	WASHER,flat	1		94	5551-91120	LABEL,recoil	1	
39	1970-51241	WASHER,wave	1						
40	5500-71110	ROTOR	1						
41	5500-71200	COIL ASSY	1						
42	5500-71220	• CORD	1						
43	2616-71320	• CAP,cord	1						
44	5933-73110	SPARKPLUG	1	BPMR7A					
45	1900-72111	CAP PLUG	1						
46	1900-72120	SPRING	1						
47	5500-72130	GROMMET	1						
48	5500-72150	SPACER	1						
49	3310-72150	BOLT M4x25	1						
50	1852-72120	GROMMET	1						
51	5601-73200	CORD COMP	1						
52	1140-72231	CLAMP	1						
53	5500-75100	RECOIL ASSY	1						
54	1850-75120	• REEL	1						
55	1850-75130	• SPRING,spiral	1						
56	1850-75151	• SCREW	1						

Fig.4 CARBURETOR GROUP

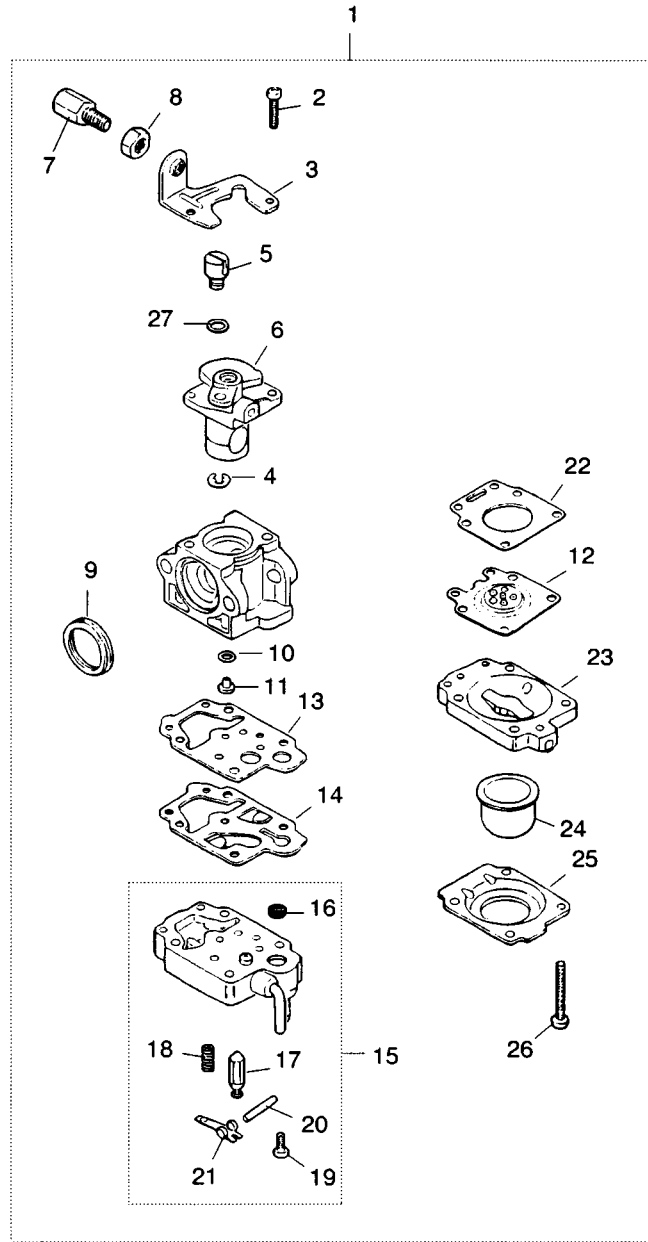


Fig.5 TOOL

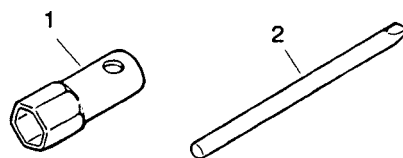


Fig.4 CARBURETOR GROUP

Key#	PART NUMBER	DESCRIPTION	Q'TY /UNIT	NOTE	Key#	PART NUMBER	DESCRIPTION	Q'TY /UNIT	NOTE
1	5500-81002	CARBURETOR ASSY	1	WYJ-81C					
2	1752-81110	• SCREW	2						
3	5500-81120	• BRACKET	1						
4	1751-81130	• E-RING	1						
5	1881-81140	• SWIVEL	1						
6	5500-81153	• VALVE ASSY	1						
7	1918-81170	• SCREW,adjust	1						
8	1751-81180	• NUT	1						
9	1881-81130	• RING	1						
10	1751-81240	• O-RING	1						
11	5500-81251	• JET	1						
12	3310-81260	• DIAPHRAGM	1						
13	1065-81410	• GASKET,pump	1						
14	1065-81420	• DIAPHRAGM,pump	1						
15	1850-81450	• BODY ASSY	1						
16	3306-81380	•• SCREEN	1						
17	3356-81310	•• VALVE,inlet	1						
18	1850-81270	•• SPRING	1						
19	1850-81220	•• SCREW	1						
20	3310-81250	•• PIN	1						
21	3310-81230	•• LEVER	1						
22	1850-81470	• GASKET	1						
23	1850-81490	• BODY,air purge	1						
24	1751-81510	• PUMP,priming	1						
25	1850-81520	• COVER,pump	1						
26	1850-81530	• SCREW	4						
27	5500-81160	• WASHER	1						

Fig.5 TOOL

Key#	PART NUMBER	DESCRIPTION	Q'TY /UNIT	NOTE	Key#	PART NUMBER	DESCRIPTION	Q'TY /UNIT	NOTE
1	1110-91320	SOCKET	1						
2	3582-91330	BAR	1						