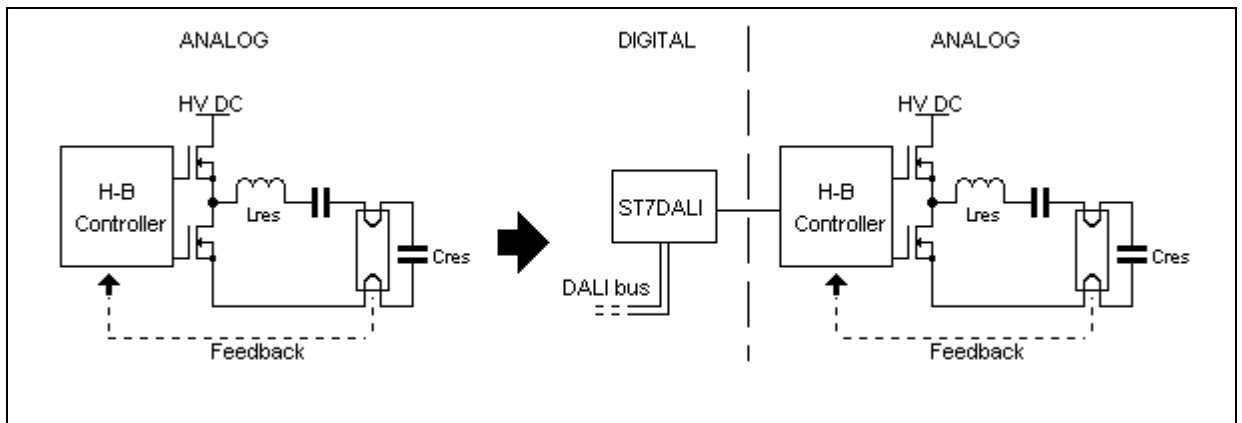


## HARDWARE IMPLEMENTATION FOR ST7DALI-EVAL

### INTRODUCTION

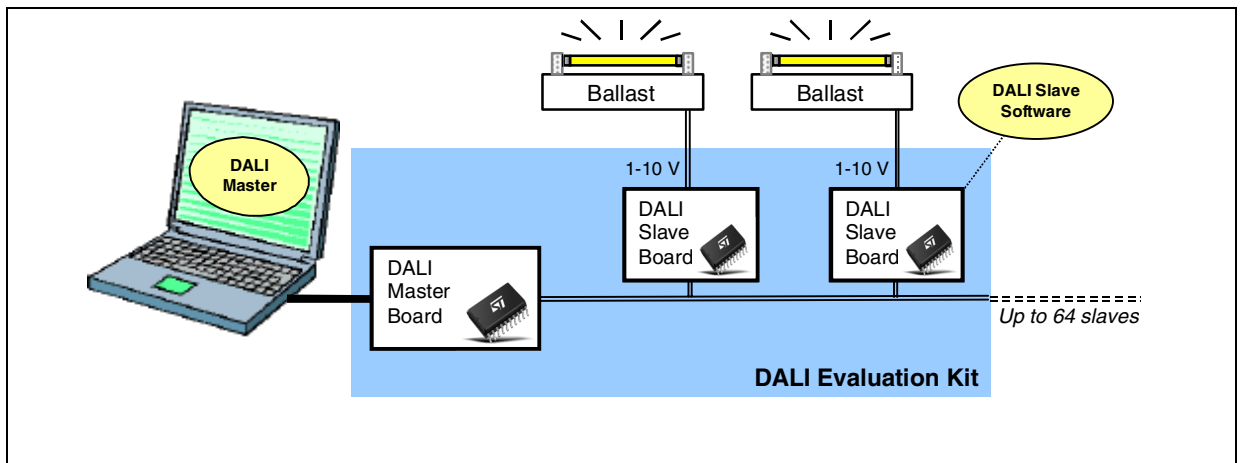
This application note describes how to implement a DALI (Digital Addressable Lighting Interface) in an existing high-frequency dimmable tube-lamp ballast application.

**Figure 1. Hardware overview with MCU handling only DALI communication**



If necessary, please refer to Application Note AN1756 “Choosing a DALI implementation Strategy with ST7DALI” for further background. This application note is issued with the ST7DALI evaluation board which can be purchased with the sales type ST7DALI-EVAL.

**Figure 2. ST7DALI-EVAL principle**



Please refer to the ST7DALI-EVAL Evaluation Kit user manual.

## 1 HARDWARE

### 1.1 ST7DALI FEATURES

**Table 1. List of Requirements for the Microcontroller**

Minimum Requirements	ST7DALI Features
26 bytes of EEPROM, to save non-volatile parameters	256 bytes data internal EEPROM
3 Kbytes program memory	8 Kbytes Flash program memory
A timer with Input Capture/Output Compare capabilities to receive and transmit DALI signals.	DALI communication module (DCM).
Low-consumption mode, to save energy between commands.	Halt power saving mode
I/Os and PWM outputs to perform the interface with the ballast controller.	Up to 15 multi-functional I/Os, one 12-bit Auto-reload Timer with 4 PWM outputs, input capture and output compare functions
A clock source	Internal 1% RC oscillator,

In addition to DALI protocol handling, but without fully controlling the ballast, the microcontroller can also monitor or customize some ballast parameters, e.g. for easy calibration of various power levels in the factory, and/or act as a supervisor of the complete ballast parameters.

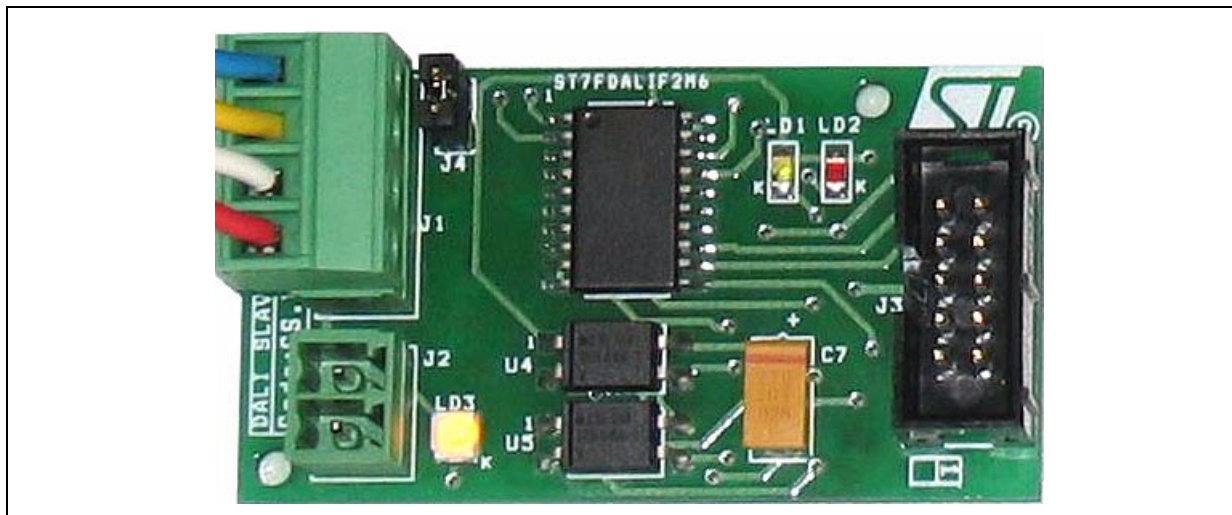
### 1.2 INTERFACE BETWEEN MICROCONTROLLER AND ANALOG HALF-BRIDGE CONTROLLER

A potential hardware problem is the interface between the microcontroller and the analog half-bridge controller. One possibility is to use PWM outputs and to filter them to create analog set-points for the half-bridge controller. The 4 PWM outputs of the Autoreload timer enable ST7DALI to act on up to 4 different “external parameter” pins of the half-bridge controller, for example L6574, without computation load (Please refer to AN993: L6574 & Microcontroller in ballast applications). The designer is then in total control of the lamp.

Another easier solution is to keep the 1-10V input widely used for dimming level control, and use the microcontroller as a “gateway” or interface between the DALI bus and the analog input of a conventional analog dimmable ballast. The microcontroller is then no longer in direct connection with the analog ballast controller.

Based on this topology, a DALI demonstration board based on the ST72F334J4 has been built. For this purpose, a dedicated ST7DALI has been developed and its associated evaluation board can be seen in [Figure 3](#).

Figure 3. ST7DALI-EVAL DALI Slave demo-board.



### 1.3 HANDLING DALI RECEPTION AND TRANSMISSION WITH DCM PERIPHERAL

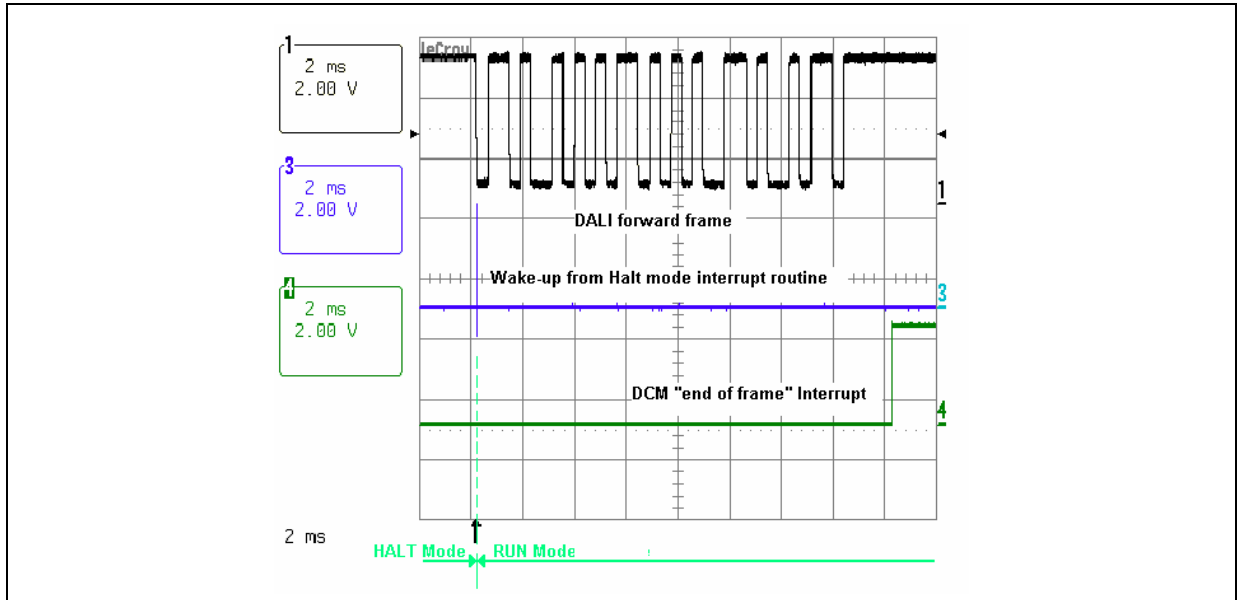
The major embedded feature of the ST7DALI microcontroller is the DALI Communication Module (DCM). It allows decoding of the DALI forward frame and sending of the backward frame, without any CPU overhead, or need for a timer with Input Capture or Output Compare capabilities. It simplifies the software, saves processing time, and eases interrupt management. The DCM drivers can be found in the ST7 Software Library or in the AN1601 Software Implementation for ST7DALI\_EVAL.

### 1.4 POWER CONSUMPTION CONSIDERATIONS

One of the biggest issues when designing a DALI ballast is the power supply of the microcontroller when the lamp is off. When the lamp is on, supplying all devices can be quite easily done via a charge pump taken from the middle point of the half-bridge. But in stand-by, the microcontroller should always be powered-on and ready to receive a DALI command. This energy can only come from the mains. The current taken should then be as low as possible to avoid constant dissipation. ST7DALI has a power saving mode called “halt”, using the smallest power consumption, since everything inside the MCU (core, peripherals and clock source) is “frozen”. After entering this mode, only a reset or an external interrupt can wake up the microcontroller. The interrupt can be triggered by the first (falling) edge of the DALI frame. When this happens, Run mode is not immediately operational, mainly because of the stabilization time of the clock source. This time has to be short enough to be able to detect the second (rising) edge of a DALI frame. The first (falling) edge is not significant but helps to wake up from Halt mode. Figure 4. shows, on channel 1, the DALI frame on the DALI IN pin of the microcontroller, a pulse on channel 3 shows the beginning of the run mode, and a high

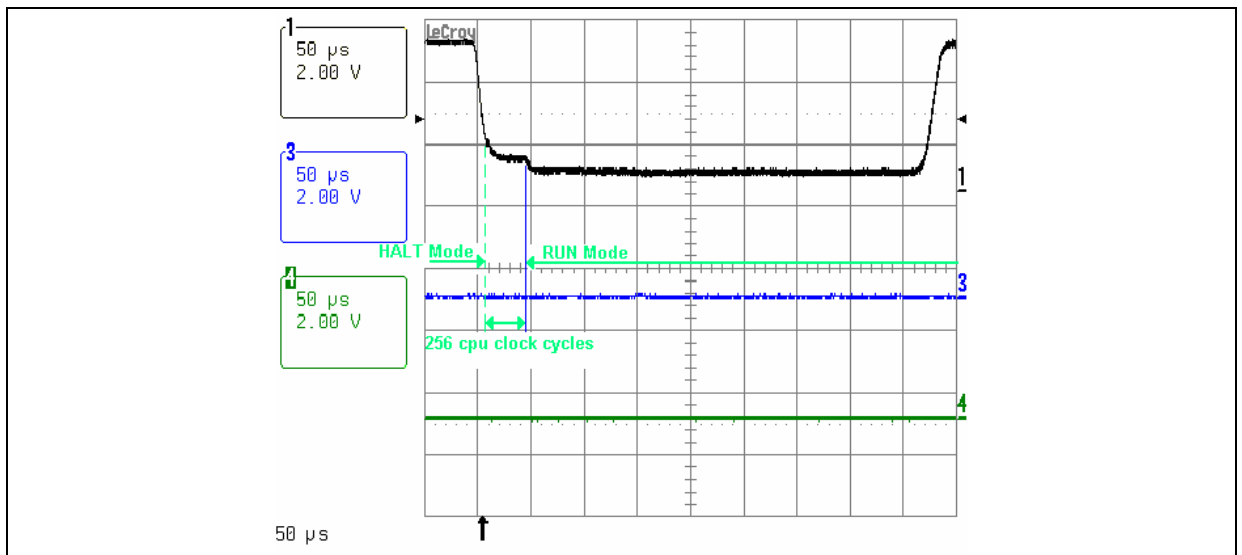
level on channel 4 shows that a proper DALI frame has been received, and that the data is ready to be handled by the software.

**Figure 4. Overview of a forward frame reception**



To better understand how the ST7DALI can wake up fast enough, a zoom on the first edge is needed, as shown in [Figure 5](#).

**Figure 5. Zoom on the first edges**

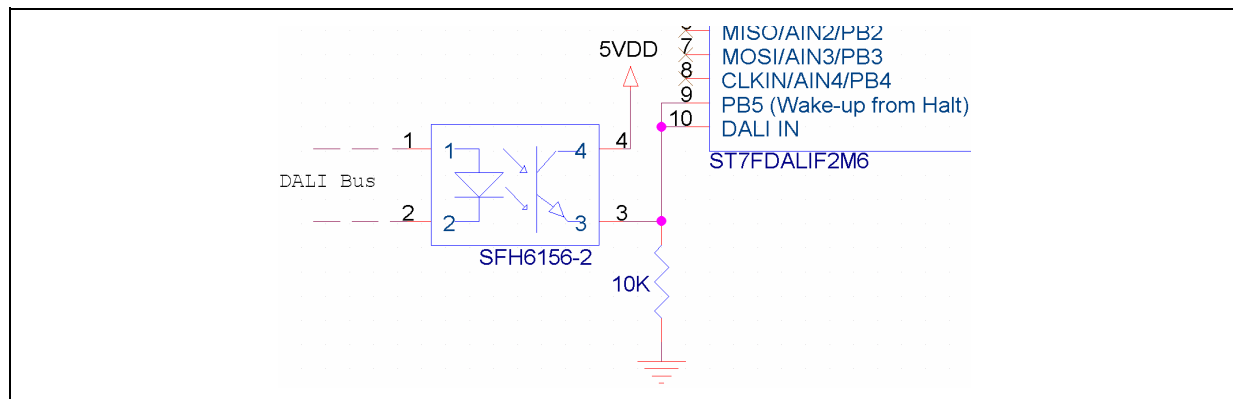


When the first falling edge is detected, the microcontroller leaves Halt mode for a transition period of 256 clock cycles. At 8MHz, this means around 32μs. Since the DCM starts sampling 125μs (worst case) after the falling edge, the microcontroller frequency can be reduced to

4MHz (i.e. 64µs to wake up from halt). Although the software can work at 1MHz and still comply fully with DALI, it is then not possible to use Halt mode for additional power saving at this frequency because the wake up is not fast enough to catch the beginning of the incoming frame.

When the lamp is off, the microcontroller is not the only source of power dissipation. The hardware interface between the DALI bus and the microcontroller also takes quite some current, as shown in Figure 6.

**Figure 6. DALI Bus- ST7DALI interface**



When the bus is high (steady state), 500µA is always flowing through the resistor. Because the microcontroller should always know if the bus is constantly low (bus failure), an alternative and more power-saving topology is not possible. On the one hand, current in the resistor should be as low as possible, but on the other hand it should not be so low that any noise fools the microcontroller. When the transistor turns off, the current should be high enough to evacuate the carriers within the right time frame. 10KOhms is a good trade-off (please refer to the I/O ports section of the ST7DALI data sheet).

Here is a summary, depending on the frequency chosen:

**Table 2. Power Consumption Overview**

	Halt Mode	Run Mode
	(fCPU run=4MHz)	(fCPU run=1MHz)
Interface	500µA	500µA
ST7DALI	10µA	2,7mA
Total @5V	170mW	890mW

Finally, the accuracy of the ST7DALI ADC is directly proportional to the V<sub>DD</sub> regulation accuracy. If the microcontroller supply is regulated with a standard zener diode for example, the ADC precision would be around 10%. If precise measurements have to be performed, then a voltage regulator with low quiescent current and high precision is needed, typically from the LD2980 series.

## 2 SCHEMATICS AND PCB

### 2.1 SCHEMATICS

Aside from the ST7DALI microcontroller itself, the ST7DALI-EVAL DALI Slave board has four main sections: Power Supply, DALI Bus-ST7DALI Interface, In-Circuit Communication, 1-10V Interface (see [Figure 7](#)).

The power supply section is very simple. A LD2980 provides an accurate 5V output, while jumper 4 allows you to easily measure the current used by the power supply, the microcontroller and the interface with the DALI Bus.

The bridge diode protects the DALI Bus-ST7DALI interface against wrong polarity wiring however it is not protected from over-voltage from accidental mains connection between the control wires. For such protection, a high voltage switch is needed.

Since the DALI Protocol specifies that isolation is required, two optocouplers are needed: one for transmission (U4) and one for the reception (U5). For cost reasons, the transmission optocoupler cannot sustain the 250mA required to pull the DALI bus down (it is high in steady state), so a power stage has to be implemented via Q1. For the bus to be kept down during transmission, capacitor C7 is used since a voltage must remain on the base of Q1. To avoid a discharge of this capacitor via the optocoupler U5, the diode D6 is required.

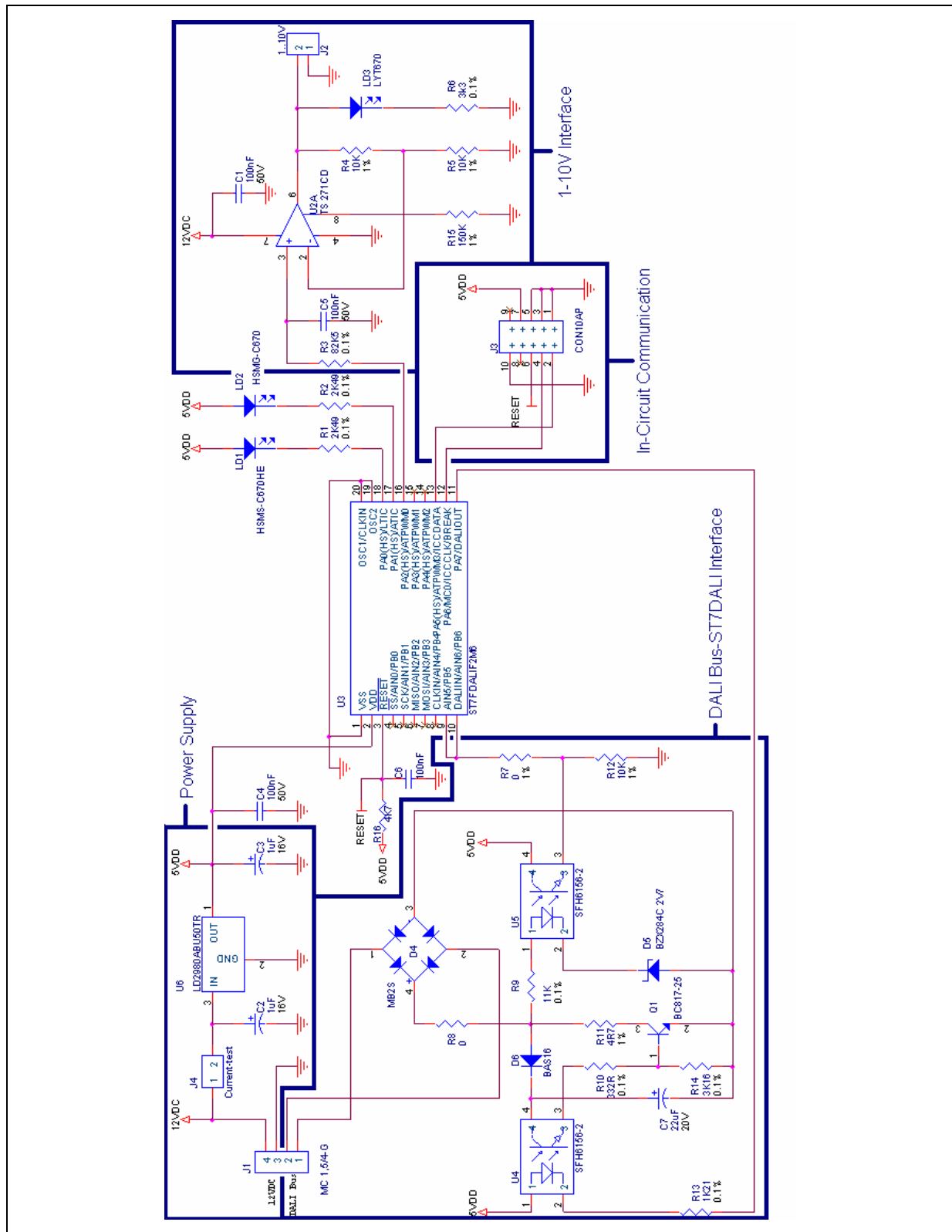
Finally the zener diode D5 is used to ensure that the wide voltage specifications of the DALI bus (High level: 9.5 to 22.5 V. Typical 16 V. Low level: -6.5 to +6.5 V. Typical 0 V) can be fulfilled.

The ST7 In-Circuit Communication (ICC) allows In-Circuit Programming (ICP) and In-Application Programming (IAP). Please refer to the FLASH PROGRAM MEMORY section of the ST7DALI datasheet.

A standard dimmable ballast can be easily driven through the evaluation board with the 1-10V Interface. A PWM with programmable duty cycle is generated by the ST7DALI, filtered to a DC value proportional to the duty cycle, and amplified from 0-5V to 1-10V through to the operational amplifier U2A.

Regardless of whether a ballast is available or not, the LED LD3 gives an overview of the light level.

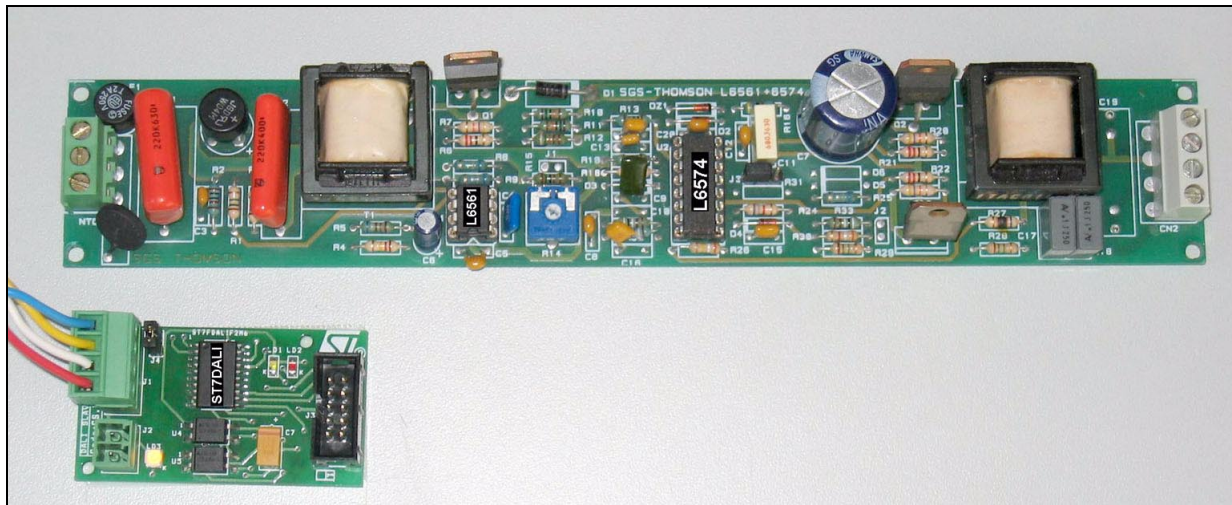
Figure 7. ST7DALI-EVAL DALI Slave Schematic



## 2.2 PCB

The PCB has been designed to look like the add-on to an existing ballast design (see [Figure 8](#)). Gerber files are delivered with the ST7DALI-EVAL kit.

**Figure 8. EVAL6574 and ST7DALI-EVAL demoboards together**



## 2.3 BILL OF MATERIAL

Please refer to the ST7DALI-EVAL User Manual.



“THE PRESENT NOTE WHICH IS FOR GUIDANCE ONLY AIMS AT PROVIDING CUSTOMERS WITH INFORMATION REGARDING THEIR PRODUCTS IN ORDER FOR THEM TO SAVE TIME. AS A RESULT, STMICROELECTRONICS SHALL NOT BE HELD LIABLE FOR ANY DIRECT, INDIRECT OR CONSEQUENTIAL DAMAGES WITH RESPECT TO ANY CLAIMS ARISING FROM THE CONTENT OF SUCH A NOTE AND/OR THE USE MADE BY CUSTOMERS OF THE INFORMATION CONTAINED HEREIN IN CONNECTION WITH THEIR PRODUCTS.”

Information furnished is believed to be accurate and reliable. However, STMicroelectronics assumes no responsibility for the consequences of use of such information nor for any infringement of patents or other rights of third parties which may result from its use. No license is granted by implication or otherwise under any patent or patent rights of STMicroelectronics. Specifications mentioned in this publication are subject to change without notice. This publication supersedes and replaces all information previously supplied. STMicroelectronics products are not authorized for use as critical components in life support devices or systems without express written approval of STMicroelectronics.

The ST logo is a registered trademark of STMicroelectronics.

All other names are the property of their respective owners

© 2004 STMicroelectronics - All rights reserved

STMicroelectronics GROUP OF COMPANIES

Australia – Belgium - Brazil - Canada - China – Czech Republic - Finland - France - Germany - Hong Kong - India - Israel - Italy - Japan - Malaysia - Malta - Morocco - Singapore - Spain - Sweden - Switzerland - United Kingdom - United States

[www.st.com](http://www.st.com)