

Favorit 99000

User manual

Dishwasher

Thank you for choosing one of our high-quality products.

To ensure optimal and regular performance of your appliance please read this instruction manual carefully. It will enable you to navigate all processes perfectly and most efficiently. To refer to this manual any time you need to, we recommend you to keep it in a safe place. And please pass it to any future owner of the appliance.

We wish you much joy with your new appliance.

Contents

<u>Operating instructions</u>	3	<u>Loading cutlery and dishes</u>	13
<u>Safety information</u>	3	Hints and tips	13
Children and vulnerable persons safety		<u>Washing programmes</u>	14
General safety	3	<u>Select and start a washing programme</u>	15
Use	3	Select and start a washing programme	15
Care and cleaning	4	Interruption of a washing programme	16
Installation	4	How to cancel a washing programme or a delay start	16
Frost precautions	4	At the end of the washing programme	16
Water connection	4	Auto Off	17
Electrical connection	5	Remove the load	17
Internal light	5	<u>Care and cleaning</u>	17
Service centre	5	To remove and clean the filters	17
Disposal of the appliance	6	To clean the spray arms	18
<u>Product description</u>	6	To clean the external surfaces	18
<u>Control panel</u>	7	<u>What to do if...</u>	18
Scroll buttons	7	The washing results and drying results are not satisfactory	20
Option button	7	How to activate the rinse aid dispenser	20
Cancel button	8	<u>Technical data</u>	21
OK/Start button	8	<u>Environment concerns</u>	21
Option menu	8	<u>Installation instructions</u>	21
Display	9	<u>Installation</u>	21
<u>Use of the appliance</u>	9	Installation under a counter	21
Switch on for the first time - set the display language	9	How to remove the appliance worktop	22
<u>Setting the water softener</u>	10	To adjust the level of the appliance	22
Manual adjustment	10	Water drain connection	22
Electronic adjustment	10		
<u>Use of dishwasher salt</u>	11		
<u>Use of detergent and rinse aid</u>	12		
Use of detergent	12		
Use of rinse aid	12		
Adjust the rinse aid dosage	12		
<u>Multitab function</u>	13		

Operating instructions



Safety information

Before the installation and use, read this manual carefully:

- For your personal safety and the safety of your property.
- For the respect of the environment,
- For the correct operation of the appliance.

Always keep these instructions with the appliance also if you move or sell it.

The manufacturer is not responsible if an incorrect installation and use causes damage.

Children and vulnerable persons safety

- Do not let persons, children included, with reduced physical sensory, reduced mental functions or lack of experience and knowledge to use the appliance. They must have supervision or instruction for the operation of the appliance by a person who is responsible for their safety.
- Keep all packaging away from children. There is the risk of suffocation or physical injury.
- Keep all detergents in a safe area. Do not let the children touch the detergents.
- Keep children and small animals away from the appliance when the door is open.

General safety

- Do not change the specifications of this appliance. There is the risk of injury and damage to the appliance.
- Obey the safety instructions from the manufacturer of the dishwasher detergent to prevent burns to eyes, mouth and throat.
- Do not drink the water from the appliance. Detergent residue can stay in your appliance.
- Always close the door after you load or unload the appliance to prevent injury and to prevent someone falling on an open door.
- Do not sit or stand on the open door.

Use

- The appliance is only for domestic use. Do not use the appliance for commercial and industrial use or for other uses.
- Do not use the appliance for uses than that for which it made. You will prevent physical injury to persons or prevent damage to property.
- Only use the appliance to clean household utensils that are applicable for dishwashers.
- Do not put flammable products or items that are wet with flammable products in, near or on the appliance. Risk of explosion or fire.
- Put the knives and all items with sharp points in the cutlery basket with their points down. If not, put in a horizontal position in the upper basket or in the knife basket. (Not all models have the knife basket).
- Use only specified products for dishwashers (detergent, salt, rinse aid).
- Types of salt that are not specified for dishwashers can cause damage to the water softener.
- Fill the appliance with salt before you start a washing programme. The grains of salt and salty water can cause corrosion or make a hole in the bottom of the appliance.

- Do not fill the rinse aid dispenser with other products than rinse aid, (e.g. dishwasher cleaning agent, liquid detergent). This can cause damage to the appliance.
- Make sure that the spray arms can move freely before you start a washing programme.
- If you open the door while the appliance is in operation, hot steam can escape. There is a risk of skin burns.
- Do not remove the dishes from the appliance before the end of the washing programme.

Care and cleaning

- Before maintenance, switch off the appliance and disconnect the mains plug from the mains socket.
- Do not use flammable products or products that can cause corrosion.
- Do not use the appliance without the filters. Make sure that the installation of the filters is correct. An incorrect installation causes unsatisfactory washing results and damage to the appliance.
- Do not use spray water or steam to clean the appliance. Risk of electrocution and damage to the appliance.

Installation

- Make sure that the appliance has not suffered any damage while in transport. Do not connect a damaged appliance. If necessary, contact the supplier.
- Remove all packaging before first use.
- Only a qualified person must do the electrical and the plumbing installation, the set up and the maintenance of the appliance. This to prevent the risks of structural damage or physical injury.
- Make sure that the mains plug is disconnected from the mains socket during installation.
- Do not drill into the sides of the appliance to prevent damage to hydraulic components and electrical components.

Frost precautions

- Do not install the appliance where the temperature is below 0°C.
- The manufacturer is not responsible for frost damage.

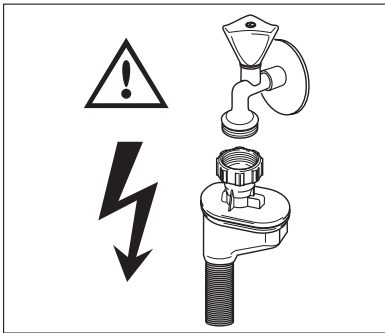
Water connection

- Use new hoses to connect the appliance to the water supply. Do not use used hoses.
- Do not connect the appliance to new pipes or pipes not used for a long time. Let the water flow for some minutes, then connect the inlet hose.
- Make sure not to squash or cause damage to the water hoses when you install the appliance.
- Make sure that the water couplings are tight to prevent a water leakage.
- The first time you use the appliance, make sure that the hoses do not have water leaks.
- The water inlet hose is double-walled and has an inner mains cable and a safety valve. The water inlet hose is under pressure only when the water flows. If there is a leak in the water inlet hose, the safety valve interrupts the running water.
 - Be careful when you connect the water inlet hose:
 - Do not put the water inlet hose or the safety valve in water.
 - If the water inlet hose or the safety valve are damaged, immediately disconnect the mains plug from the mains socket.

- Contact the service centre to replace the water inlet hose with safety valve.

**WARNING!**

Dangerous voltage.



Electrical connection

- The appliance must be earthed.
- Make sure that the electrical data on the rating plate agree with your domestic power supply.
- Always use a correctly installed shockproof socket.
- Do not use multi-way plugs, connectors and extension cables. There is a risk of fire.
- Do not replace or change the mains cable. Contact the service centre.
- Make sure not to squash or cause damage to the mains plug and cable behind the appliance.
- Make sure that the mains plug is accessible after the installation.
- Do not pull the mains cable to disconnect the appliance. Always pull the mains plug.
- The appliance is supplied with a 13 amp mains plug attached. If it is necessary to change the fuse in the mains plug, use a 13 amp ASTA approved (BS 1362) fuse.

Internal light

This appliance has an internal light that comes on when you open the door and goes off when the door is closed.

**WARNING!**

Visible led radiation, do not look directly into the beam.

The LED lamp is CLASS 2 in accordance with IEC 60825-1: 1993 + A1:1997 + A2:2001.

Emission wave length: 450 nm

Maximum emitted power: 548 μ W



To replace the internal light, contact the service centre.

Disconnect the mains plug from the mains socket before the replacement of the internal light.

Service centre

- Only an approved engineer can repair or work on the appliance. Contact the service centre.

- Use only original spare parts.

Disposal of the appliance

- To prevent the risk of physical injury or damage:
 - Disconnect the mains plug from the mains socket.
 - Cut off the mains cable and discard it.
 - Discard the door catch. This prevents children or small animals from being closed inside of the appliance. There is a risk of suffocation.

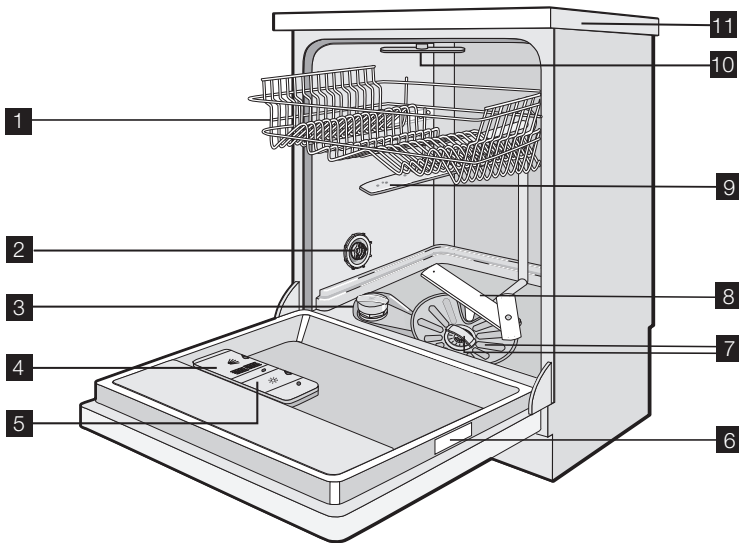


WARNING!

The dishwasher detergents are dangerous and can cause corrosion !

- If an accident occurs with these detergents, contact immediately your regional poisons centre and a doctor.
- If the detergent gets into the mouth, contact immediately your regional poisons centre and a doctor.
- If the detergent gets into the eyes, contact immediately a doctor and wet the eyes with water.
- Keep dishwasher detergents in a safe area and out of children touch.
- Do not keep the appliance door open when there is detergent in the detergent dispenser.
- Fill the detergent dispenser only before you start a washing programme.

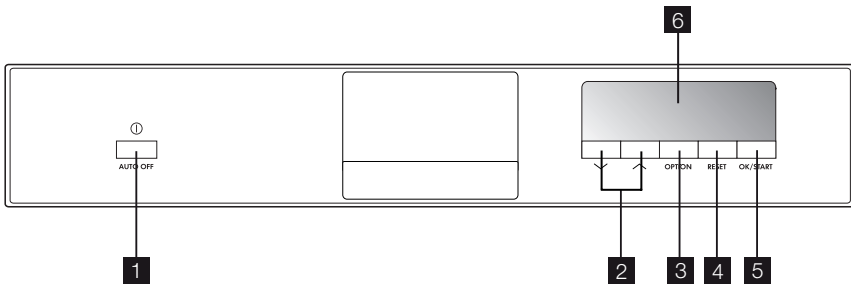
Product description



- 1 Upper basket
- 2 Water hardness dial
- 3 Salt container
- 4 Detergent dispenser
- 5 Rinse aid dispenser

- 6** Rating plate
- 7** Filters
- 8** Lower spray arm
- 9** Upper spray arm
- 10** Top spray arm
- 11** Worktop

Control panel



- 1** On/off button
- 2** Scroll buttons
- 3** Option button
- 4** Cancel button
- 5** OK/Start button
- 6** Display



The messages in the display and the audible signals help you to operate with the appliance.

Scroll buttons

With these buttons you can:

- select a washing programme in the washing programme menu,
- select options in the option menu.

Option button

Use this button to select options.

To select an option:

1. Switch on the appliance.
2. Press the option button: the display shows the menu of available options.
3. Press one of the scroll buttons to go through the menu and select the necessary option.
4. Press the OK/Start button to confirm or to go into the submenu.
5. Press one of the scroll buttons to select the adjustment in the submenu.
6. Press the OK/Start button to confirm.
7. Press the cancel button to exit from the menu.

Cancel button

Use this button to:

- Cancel a washing programme or a delay start. Refer to 'Select and start a washing programme'.
- To exit from the option menu.

OK/Start button

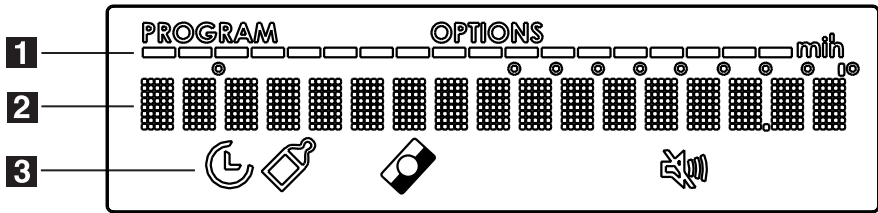
With this button you can:

- confirm or memorise an option,
- start a washing programme.

Option menu

Menu	Submenu	Description of the option
DELAY START		With this function you can delay the start of the washing programme with an interval between 1 and 24 hours. The countdown of the delay start is with steps of 1 hour (24h, 23h, 22h, etc.).
EXTRA HYGIENE	ON OFF	This function gives more hygiene to dishes and glasses. During the last rinse, the temperature increases to 68°C and stays above 65°C minimum for 10 to 14 minutes. This function is available with all washing programmes but does not have an effect on some programmes. Refer to 'Washing programmes'
MULTITAB	ON OFF	The multitab function is for combi detergent tablets. Refer to 'Multitab function'.
SETTINGS	LANGUAGE ENGLISH	You can set the language of the messages in the display. Different languages are available.
	WATER HARDNESS	You can adjust the level of the water softener. Refer to 'Setting the water softener'. 10 levels are available.
	RINSE AID	You can activate/deactivate the rinse aid dispenser. Factory set: off.
	SOUND VOLUME	You can adjust the volume of all the audible signals. 5 levels are available. Level 0 = volume off.
	BRIGHTNESS	You can increase or decrease the intensity of the light of the display. 10 levels are available. Factory set: level 10.
	CONTRAST	You can increase or decrease the contrast of the display. 10 levels are available. Factory set: level 6.

Display



- 1 The small bars show the progress of the washing programme.
- 2 Messages: washing programmes, optional functions and related programme phases show in this part of the display.
- 3 Symbols

Symbols	
	DELAY START - comes on when the delay start is set and while the countdown operates.
	EXTRA HYGIENE - comes on when the related function and/or the INTENSIV PRO washing programme are set.
	MULTITAB - comes on when the function is set.
	SOUND VOLUME - comes on when the audible signals are off (level 0).

Use of the appliance

Switch on for the first time - set the display language

1. Switch on the appliance.
2. When the display shows LANGUAGE ENGLISH and the word ENGLISH flashes, you can confirm or change the language.
 - Press the OK/Start button to confirm.
 - Press one of the scroll buttons to select a different language and press the OK/Start button to confirm.
3. Press the cancel button to exit from the menu.

Refer to the instructions for each step of procedure:

1. Make a check if the adjustment of the water softener agrees with the water hardness in your area. If necessary, adjust the water softener.
2. Fill the salt container with dishwasher salt.
3. Fill the rinse aid dispenser with rinse aid.
4. Load cutlery and dishes into the appliance.
5. Set the correct washing programme for the type of load and soil.
6. Fill the detergent dispenser with the correct quantity of detergent.
7. Start the washing programme.



If you use the combi detergent tablets ('3 in 1', '4 in 1', '5 in 1'), refer to 'Multitab function'.

Setting the water softener

The water softener removes minerals and salts from the water supply. Minerals and salts can have a bad effect on the operation of the appliance.

Equivalent scales measure the water hardness:

- German degrees (dH°).
- French degrees (°TH).
- mmol/l (millimol for each litre - international unit for the hardness of water).
- Clarke degrees.

Adjust the water softener to the water hardness in your area. If necessary, contact your local water authority.

Water hardness				Water hardness adjustment	
°dH	°TH	mmol/l	Clarke	manually	electronically
51 - 70	91 - 125	9,1 - 12,5	64 - 88	2 ¹⁾	10
43 - 50	76 - 90	7,6 - 9,0	53 - 63	2 ¹⁾	9
37 - 42	65 - 75	6,5 - 7,5	46 - 52	2 ¹⁾	8
29 - 36	51 - 64	5,1 - 6,4	36 - 45	2 ¹⁾	7
23 - 28	40 - 50	4,0 - 5,0	28 - 35	2 ¹⁾	6
19 - 22	33 - 39	3,3 - 3,9	23 - 27	2 ¹⁾	5 ¹⁾
15 - 18	26 - 32	2,6 - 3,2	18 - 22	1	4
11 - 14	19 - 25	1,9 - 2,5	13 - 17	1	3
4 - 10	7 - 18	0,7 - 1,8	5 - 12	1	2
< 4	< 7	< 0,7	< 5	1 ²⁾	1 ²⁾

1) Factory position.

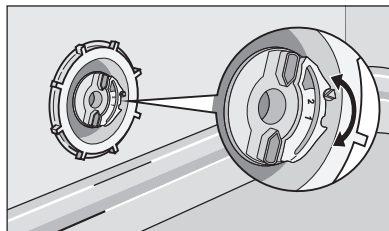
2) No use of salt is necessary.



You must adjust the water softener manually and electronically.

Manual adjustment

Turn the water hardness dial to the position 1 or 2 (refer to the chart).



Electronic adjustment

1. Go into the option menu.
2. Go to SETTINGS.

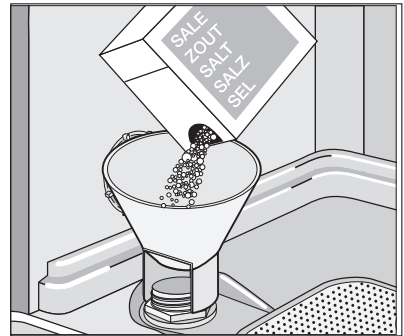
3. Press the OK/Start button to confirm.
4. Go to WATER HARDNESS .
5. Press the OK/Start button to confirm.
6. Use the scroll buttons to set the level of the water softener. Refer to the chart for the right level to set.
7. Press the OK/Start button to confirm.

i If the water softener is set electronically to the level 1, the salt indicator message stays off.

Use of dishwasher salt

Do these steps to fill the salt container:

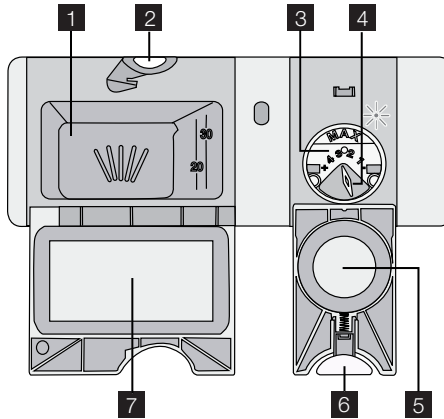
1. Turn the cap counterclockwise to open the salt container.
2. Fill the salt container with 1 litre of water (only with the first operation).
3. Use the funnel to fill the salt container with salt.
4. Remove the salt around the opening of the salt container.
5. Turn the cap clockwise to close the salt container.



i It is correct that water comes out from the salt container when you fill it with salt.

i When the salt container is empty, the display shows a message: REFILL SALT . The message does not show while a washing programme operates. After you fill the salt container, the message can continue to stay on for some hours. This does not have an unwanted effect on the operation of the appliance.

Use of detergent and rinse aid



Use of detergent



To help the environment, do not use more than the correct quantity of detergent. Follow the detergent manufacturer recommendations on the detergent packaging.

Do these steps to fill the detergent dispenser:

1. Press the release button **2** to open the lid **7** of the detergent dispenser.
2. Put the detergent in the dispenser **1**.
3. If the washing programme has a prewash phase, put a small quantity of detergent on the inner part of the appliance door.
4. If you use the detergent tablets, put the tablet in the detergent dispenser **1**.
5. Close the detergent dispenser. Press the lid until it locks into position.



Different brands of detergent dissolve in different times. Some detergent tablets do not have the best cleaning results during short washing programmes. Use long washing programmes when you use the detergent tablets to fully remove the detergent.

Use of rinse aid



Rinse aid makes it possible to dry the dishes without streaks and stains. The rinse aid dispenser automatically adds rinse aid during the last rinsing phase.

Do these steps to fill the rinse aid dispenser:

1. Press the release button **6** to open the lid **5** of the rinse aid dispenser.
2. Fill the rinse aid dispenser **3** with rinse aid. The mark 'max' shows the maximum level.
3. Remove the spilled rinse aid with an absorbent cloth to prevent too much foam during the washing programme.
4. Close the rinse aid dispenser. Press the lid until it locks into position.

Adjust the rinse aid dosage

Factory set: position 3.

You can set the rinse aid dosage between position 1 (lowest dosage) and position 4 (highest dosage).

Turn the rinse aid selector **4** to increase or decrease the dosage.

- i** When the rinse aid dispenser is empty, the display shows a message: REFILL RINSE AID . The message does not show while a washing programme operates.

Multitab function

The multitab function is for combi detergent tablets.

These tablets contain agents as detergent, rinse aid and dishwasher salt. Some types of tablets can contain other agents.

Do a check if these tablets are applicable for the local water hardness. Refer to the instructions from the manufacturer.

When you set the multitab function, it stays on until you deactivate it.

The multitab function deactivates the flow of rinse aid and salt.

The multitab function deactivates the salt and the rinse aid messages.

The programme duration can increase if you use the multitab function.

- i** Activate the multitab function before the start of a washing programme. You cannot activate the multitab function when the programme operates.

To activate the multitab function

- Go to the option menu and activate the multitab function. Refer to 'Control panel'.

To deactivate the multitab function and use separately detergent, salt and rinse aid:

1. Go to the option menu and deactivate the multitab function. Refer to 'Control panel'.
2. Fill the salt container and rinse aid dispenser.
3. Adjust the water hardness setting to the highest level.
4. Do a washing programme without dishes.
5. Adjust the water softener to the water hardness in your area.
6. Adjust the rinse aid dosage.

Loading cutlery and dishes

- i** Refer to the leaflet 'Examples of ProClean loads'.

Hints and tips

Do not use the appliance to clean objects that can absorb water (e.g. sponges, household cloths).

- Before you load cutlery and dishes, follow these steps:
 - Remove remaining food.
 - Make remaining burnt food in the pans soft.
- While you load cutlery and dishes, follow these steps:
 - Load hollow items (e.g. cups, glasses and pans) with the opening down.
 - Make sure that water does not collect in the container or in a deep base.

- Make sure that cutlery and dishes do not bond together.
- Make sure that the glasses do not touch other glasses.
- Put small objects in the cutlery basket.
- Mix the spoons with other cutlery to prevent them from bonding together.
- Arrange the items to let water touch all surfaces.
- Plastic items and pans with non-stick coatings can retain the water droplets.
- Put light items in the upper basket. Make sure that the items do not move.

Washing programmes

Programme	Degree of soil	Type of load	Programme description	EXTRA HYGIENE function
AUTOMATIC ¹⁾	Any	Crockery, cutlery, pots and pans	Prewash Main wash 45 °C or 70 °C 1 or 2 middle rinses Last rinse Dry	Yes, with effect.
30 MINUTES ²⁾	Normal or light soil	Crockery and cutlery	Main wash 60 °C Rinse	Yes, with effect.
INTENSIV PRO	Heavy soil	Crockery, cutlery, pots and pans	Prewash Main wash 70 °C 1 middle rinse Last rinse Dry	This washing programme includes the EXTRA HYGIENE function. It is not necessary to set the function.
ENERGY ³⁾	Normal soil	Crockery and cutlery	Prewash Main wash 50 °C 1 middle rinse Last rinse Dry	Yes, with effect.
50 MINUTES	Light soil	Crockery and cutlery	Main wash 55 °C 1 middle rinse Last rinse	Yes, with effect.
45° GLASS	Normal or light soil	Delicate crockery and glassware	Main wash 45 °C 1 middle rinse Last rinse Dry	Yes, without effect.
PLATE WARMER	This programme makes the dishes warm before use or removes the dust from dishes not used for a long time.		1 hot rinse	Yes, without effect.

Programme	Degree of soil	Type of load	Programme description	EXTRA HYGIENE function
PREWASH	This programme gives dishes a quick rinse to prevent the remaining food to bond on the dishes and bad odours to come out from the appliance. Do not use detergent with this programme.		1 cold rinse	Yes, without effect.
EXTRA SILENT ⁴⁾	Normal soil	Crockery and cutlery	Prewash Main wash 50 °C 1 middle rinse Last rinse Dry	Yes, without effect.

- 1) The appliance adjusts automatically the temperature and the quantity of the water. This depends if the appliance has a full load or not and on the degree of soil. The programme duration and the programme consumptions can change.
- 2) When you have a light load, this programme gives a timesaving solution with perfect washing results.
- 3) Test programme for test institutes. Refer to supplied leaflet for test data.
- 4) This washing programme operates with a low level of noise. The pump works at a very low speed to decrease the level of noise of 25% compared to the declaration programme. Because of the low level of noise the programme has a very long time duration. Set this washing programme in times when the power rate is more economical.

Consumption values

Programme ¹⁾	Energy (kWh)	Water (litre)
AUTOMATIC	0,9 - 1,7	8 - 15
30 MINUTES	0,8	9
INTENSIV PRO	1,5 - 1,7	13 - 15
ENERGY	0,9 - 1,0	9 - 11
50 MINUTES	1,0 - 1,1	10 - 11
45° GLASS	0,8 - 0,9	11 - 12
PLATE WARMER	0,8	4
PREWASH	0,1	4
EXTRA SILENT	1,1 - 1,2	9 - 11

- 1) The display shows the programme duration.



The pressure and temperature of the water, the variations of power supply and the quantity of dishes can change these values.


Select and start a washing programme


Select and start a washing programme

1. Close the door of the appliance.
2. Switch on the appliance.

[Downloaded from DishWasher-Manual.com Manuals](http://DishWasher-Manual.com Manuals)

3. Select, if necessary, options. Refer to 'Control panel'.
4. Select a washing programme. Refer to 'Washing programmes'.
5. Press the OK/Start button. The washing programme starts automatically.
 - If the delay start is set, the countdown starts automatically. When the countdown is completed, the washing programme starts automatically.
 - If the salt container and /or the rinse aid dispenser are empty, the related messages show in the display and the appliance will not start. Press the OK/Start button again to start the washing programme.


 Fill the salt container and/or the rinse aid dispenser when the appliance is empty and before you start a washing programme.


 If the delay start is set, the opening of the appliance door interrupts the countdown. When you close the door, the countdown continues from the point of interruption.

Interruption of a washing programme


- Open the appliance door.
 - The washing programme stops.
- Close the appliance door.
 - The washing programme continues from the point of interruption.

How to cancel a washing programme or a delay start

 If a washing programme or a delay start has not started, you can change the selection. When a washing programme or a delay start operate, it is not possible to change the selection. It is necessary to cancel the washing programme or the delay start.


 When you cancel the delay start, this automatically cancels the selected washing programme. You have to select the washing programme again.

1. Press the cancel button.
2. The display shows the message CONFIRM CANCEL ? .
3. Press the OK/Start button to confirm.

 Make sure that there is detergent in the detergent dispenser before you start a new washing programme.

At the end of the washing programme

- The appliance stops automatically.
 - The audible signals operate.
1. The display shows the messages PROGRAMME END and PLEASE SWITCH OFF .

 If the salt container and /or the rinse aid dispenser are empty, the related messages show in the display.

2. Open the appliance door.
3. Switch off the appliance.
4. For better drying results, keep the door ajar for some minutes.

Auto Off

The Auto Off function automatically switches off the appliance 10 minutes after the end of the washing programme.

This helps to decrease energy consumption.

Remove the load

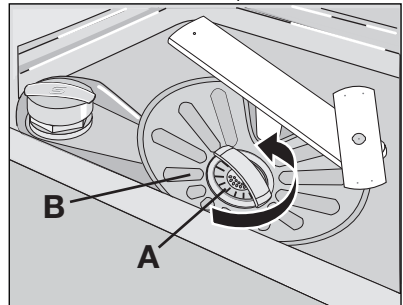
- Let the dishes become cold before you remove them from the appliance. Hot dishes are easily damaged.
- First remove the items from the lower basket, then from the upper basket.
- There can be water on the sides and door of the appliance. Stainless steel becomes cool more quickly than the dishes.

Care and cleaning

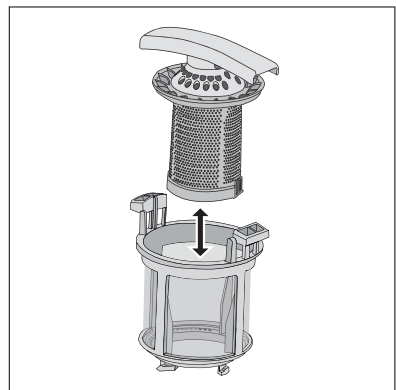
To remove and clean the filters

Dirty filters decrease the washing results. Although the maintenance is very low with these filters, we recommend that you make a check at intervals and if necessary, clean them.

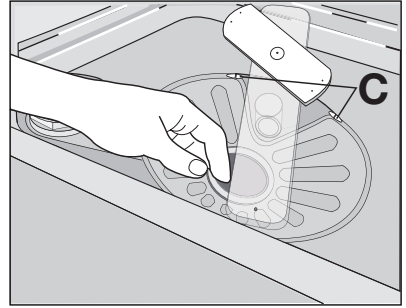
1. To remove filter (A), turn it counterclockwise and remove it out from filter (B).



2. Filter (A) has 2 parts. To disassemble the filter, pull them apart.
3. Fully clean the parts under running water.
4. Put the 2 parts of the filter (A) together and push. Make sure that they assemble correctly in each other.
5. Remove the filter (B).
6. Fully clean the filter (B) under running water.



7. Put the filter (B) to its initial position. Make sure that it assembles correctly under the two guides (C).
8. Put the filter (A) into position in filter (B) and turn it clockwise until it locks.



To clean the spray arms

Do not remove the spray arms.

If the holes in the spray arms become clogged, remove remaining parts of soil with a cocktail stick.

To clean the external surfaces

Clean the external surfaces of the appliance and control panel with a damp soft cloth. Only use neutral detergents. Do not use abrasive products, scouring pads or solvents (e.g. acetone).

What to do if...

The appliance does not start or stops during operation.

First try to find a solution to the problem (refer to the chart). If not, contact the service centre.

Malfunction	Fault code	Possible cause	Possible solution
The appliance does not fill with water.	<ul style="list-style-type: none"> • An audible signal operates. • The display shows the message OPEN THE TAP . 	The water tap is closed.	Open the water tap.
		The water pressure is too low.	Contact your local water authority.
		The water tap is blocked or is furred with limescale.	Clean the water tap.
		The filter in the water inlet hose is blocked.	Clean the filter.
		The connection of the water inlet hose is not correct.	Make sure that the connection is correct.

Malfunction	Fault code	Possible cause	Possible solution
		The water inlet hose is damaged.	Make sure that the water inlet hose has no damages.
The appliance does not drain the water.	<ul style="list-style-type: none"> An audible signal operates. The display shows the message DRAIN BLOCKED . 	There is a blockage in the sink spigot.	Clean the sink spigot.
		The connection of the water drain hose is not correct.	Make sure that the connection is correct.
		The water drain hose is damaged.	Make sure that the water drain hose has no damages.
The anti-flood device operates.	<ul style="list-style-type: none"> An audible signal operates. The display shows the message SERVICE CODE ,30 . 		Close the water tap and contact the service centre.
The programme does not start.		The appliance door is open. The display shows the message PLEASE CLOSE DOOR .	Close the door correctly.
		The mains plug is not connected in.	Put in the mains plug.
		Blow out fuse in the household fuse box.	Replace the fuse.
		The delay start is set.	If you want to cancel the delay start, refer to 'Select and start a washing programme'.

After the check, switch on the appliance. The programme continues from the point of interruption.

If the malfunction shows again, contact the service centre.

If the display shows other fault codes, contact the service centre.

The necessary data for the service centre is on the rating plate.

We recommend that you write the data here:

Model (MOD.)
 Product number (PNC)
 Serial number (S.N.)

The washing results and drying results are not satisfactory

Problem	Possible cause	Possible solution
The dishes are not clean.	The selected washing programme was not applicable for the type of load and soil.	Make sure that the washing programme is applicable for the type of load and soil.
	The baskets were not loaded correctly, water did not touch all surfaces.	Load the baskets correctly.
	The spray arms could not turn freely because of incorrect arrangement of the load.	Make sure that an incorrect arrangement of the load does not cause a blockage of the spray arms.
	The filters are dirty or not assembled and installed correctly.	Make sure that the filters are clean and correctly assembled and installed.
	The quantity of detergent was not sufficient or missing.	Make sure that the quantity of detergent is sufficient.
Limescale particles on the dishes.	The salt container is empty.	Fill the salt container with dishwasher salt.
	Incorrect water softener adjustment	Adjust the water softener.
	The salt container cap is not closed correctly.	Make sure that the salt container cap is closed correctly.
There are streaks, milky stains, or a bluish layer on glasses and dishes.	Rinse aid dosage is too high.	Decrease the rinse aid dosage.
	Rinse aid dosage is too low.	Increase the rinse aid dosage.
Dry water drop stains on glasses and dishes.	The detergent can be the cause.	Use a different brand of detergent.
	You have set a washing programme without drying phase or with a decreased drying phase.	Let the door stay ajar for some minutes before you remove the dishes.
The dishes are wet.	The rinse aid dispenser is empty.	Fill the rinse aid dispenser with rinse aid.
	The multitar function is on. (The rinse aid dispenser is automatically off).	Activate the rinse aid dispenser. Refer to 'How to activate the rinse aid dispenser'.

How to activate the rinse aid dispenser

- Go to the option menu and activate the rinse aid dispenser. Refer to 'Control panel'.

Technical data

Dimensions	Width	596 mm
	Height	850 mm
	Depth	625 mm
Water supply pressure	Minimum	0,5 bar (0,05 MPa)
	Maximum	8 bar (0,8 MPa)
Water supply ¹⁾	Cold water or hot water	maximum 60 °C
Capacity	Place settings	12

1) Connect the water inlet hose to a water tap with a 3/4" thread.





The rating plate on the inner edge of the appliance door shows the electrical connection data.



If the hot water comes from alternative sources of energy, (e.g. solar panels, photovoltaic panels and aeolian), use a hot water supply to decrease energy consumption.

Environment concerns

The symbol  on the product or on its packaging indicates that this product may not be treated as household waste. Instead it should be taken to the appropriate collection point for the recycling of electrical and electronic equipment. By ensuring this product is disposed of correctly, you will help prevent potential negative consequences for the environment and human health, which could otherwise be caused by inappropriate waste handling of this product. For more detailed information about recycling of this product, please contact your local council, your household waste disposal service or the shop where you purchased the product.

Recycle the materials with the symbol . Put the packaging in applicable containers to recycle it.

Installation instructions

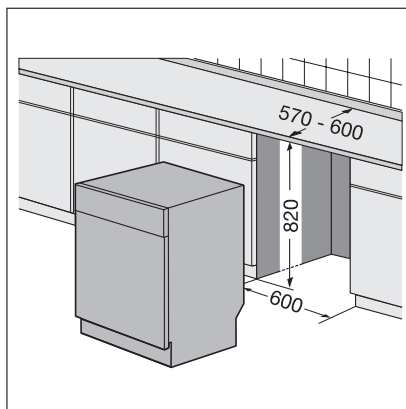
Installation

Installation under a counter

Put the appliance adjacent to a water tap and a water drain.

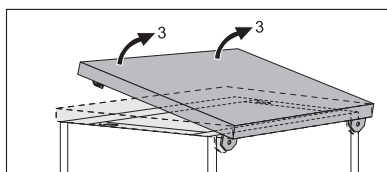
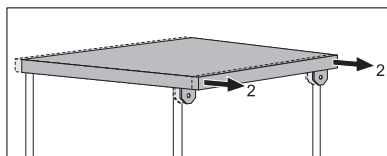
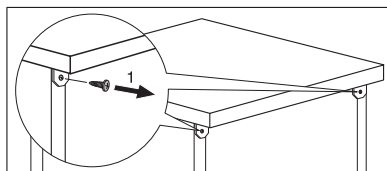
Remove the appliance worktop to install it under a sink unit or a kitchen worktop.

Make sure that the dimensions of the recess agree with the dimensions in the picture.



How to remove the appliance worktop

1. Remove the rear screws (1).
2. Pull the worktop from the behind of the appliance (2).
3. Lift the worktop and move it from the front slots (3).
4. Use the adjustable feet to adjust the level of the appliance.
5. Install the appliance under the kitchen worktop. Do not squash or bend the water hoses during the installation.



To adjust the level of the appliance

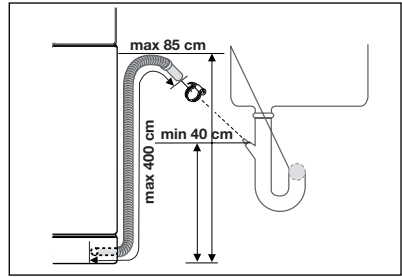
A correct level of the appliance lets the door to close and seal correctly. With an incorrect appliance level, the door does catches on the sides of the cabinet. Loosen or tighten the adjustable feet to make the appliance level.

Water drain connection

Connect the water drain hose to:

- The sink spigot and attach it under the work surface. This prevents that the waste water from the sink goes back into the appliance.

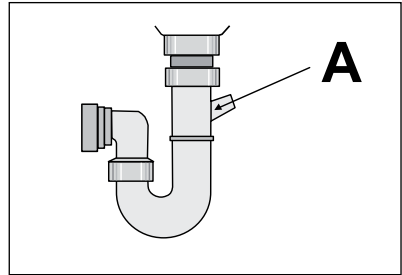
- A stand pipe with vent-hole. The internal diameter must be minimum 4 cm.
Remove the sink plug when the appliance drains the water to prevent that the water goes back into the appliance.
The drain hose extension must not be longer than 2 m. The internal diameter must not be smaller than the diameter of the hose.



If you connect the water drain hose to a trap spigot under the sink, remove the plastic membrane (A). If you do not remove the membrane, remaining food can cause a blockage in the drain hose spigot



A safety device impedes the dirty water to go back into the appliance. If the spigot of the sink has a 'non-return valve', this can cause the appliance to drain incorrectly. Remove the non-return valve.



www.electrolux.com



To buy accessories, consumables and spare parts at our online shop please visit: www.aeg-electrolux.co.uk

117946640-B-072010

[Downloaded from DishWasher-Manual.com Manuals](#)