



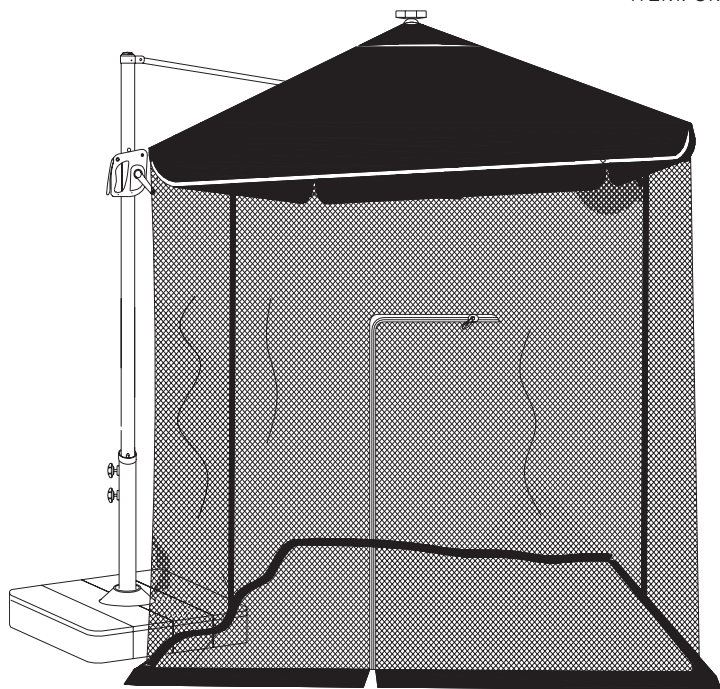
8.5ft Solar Offset Umbrella With Removable Netting & Base

Assembly and User Manual

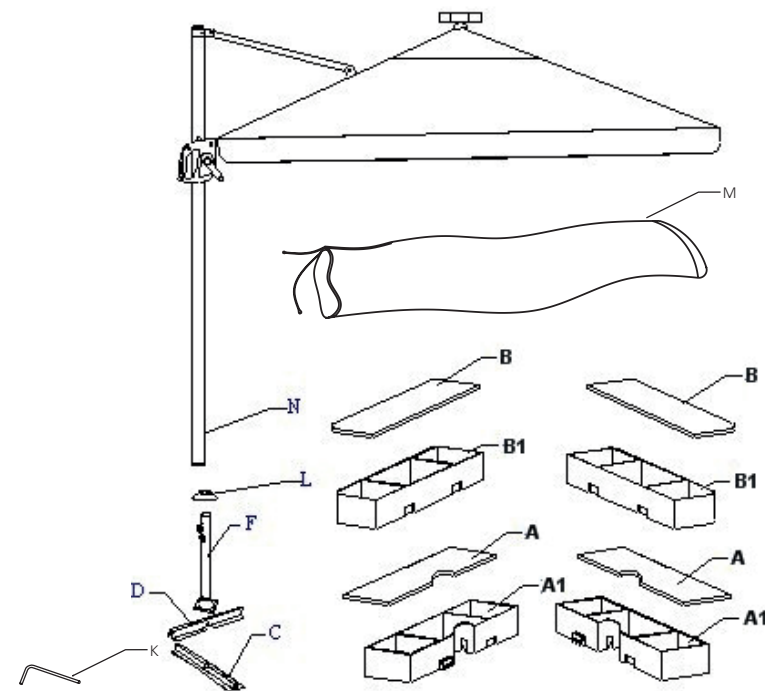
ITEM: UMB920160

#M28817

| Package Contents 2.



The schematics in this manual are for assembly and operation illustration only. They may differ from the umbrella's actual appearance.

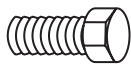



PART	DESCRIPTION	QTY(PC)
A	Base Cover A	2pcs
A1	Base A1	2pcs
B	Base Cover B	2pcs
B1	Base B1	2pcs
C	Lower Cross Leg (with bolts and washers)	1pc
D	Upper Cross Leg (with bolts and washers)	1pc
F	Holder Pole (with control knob)	1pc
E	Netting	1pc
L	Pole Support Cup	1pc

If you have any questions, problems or need additional parts please **do not return** to the place of purchase. Contact our customer service department toll free at **1-855-880-7205** or email us at **customerservice@atleisure.com**

3. Package Contents (cont'd) |

PART	DESCRIPTION	QTY(PC)
K	Steel Stake	9pcs
SOL-PWO	Solar Panel	1pc
SOL-CAP	Solar Cap	1pc
SOL-BCC	Solar cover(on the umbrella ribs)	21pcs
SOL-WO	Solar light(on the umbrella ribs)	21pcs
N	Umbrella Frame (with canopy and holder pole ring)	1pc
M	Cover	1pc

PART	PICTURE	DESCRIPTION	QUANTITY
GG		Hex Bolt M10-1.5x20 A2-70	4pcs (in the blister pack)
HH		Flat Washer M10 A2-70	4pcs (in the blister pack)

PREPARATION

Before beginning assembly of product, make sure all parts are present. Compare parts with package contents list. If any part is missing or damaged, do not attempt to assemble the product or return to the place of purchase. Contact our customer service toll free at **1-855-880-7205** for replacement parts or further instructions.

Tools Required for Assembly: Open end wrench or adjustable wrench / Phillips screwdriver (Not included)

| Base Assembly Instructions 4.

Remove all protective materials. Be careful not to throw away small parts such as screws, washers, etc. that may be wrapped in the protective materials.

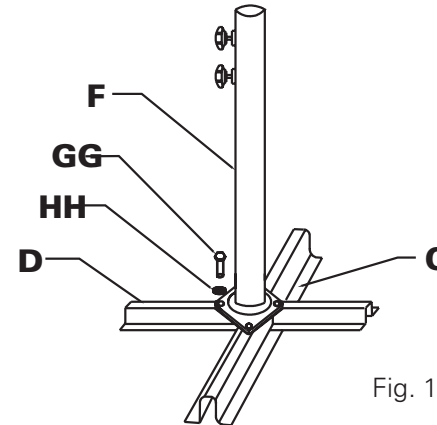


Fig. 1

Step 1. Place the Upper Cross Leg (D) over the Lower Cross Leg (C) to form an "X". Attach the Holder Pole (F) to the cross legs (C & D) with the Screws (G) and Washers (H) (found in blister pack) as shown in Fig.1.

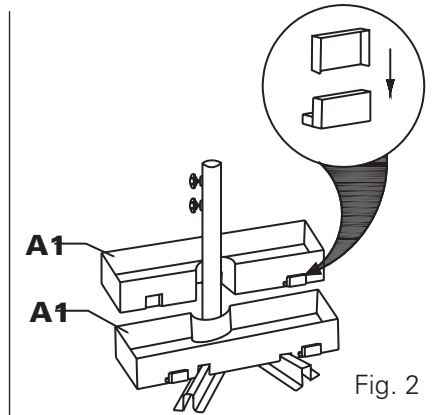


Fig. 2

Step 2. Align the tabs with the slots on each base (A1) and then slide the base pieces together until they lock firmly, as shown in Fig.2.

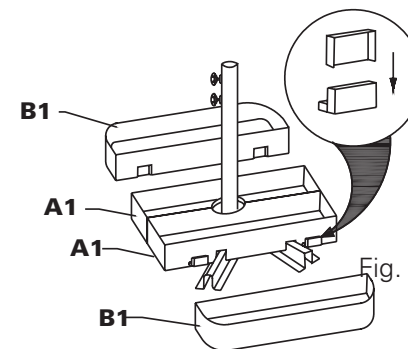


Fig. 3

Step 3. Attach the Outer Injection Molded Base (B1) to the Inner Injection Molded Base (A1) by locking the tabs into the slots as shown in Fig. 3.

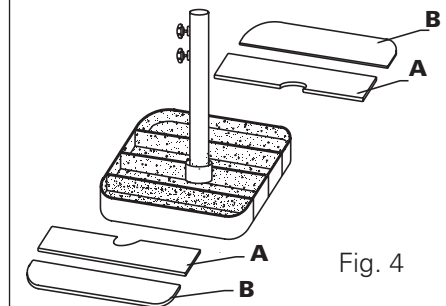


Fig. 4

Step 4. Fill the injection molded bases with water, then put the Injection Molded Cover (A & B) onto the Injection Molded Base (A1 & B1) accordingly as shown in Fig. 4.

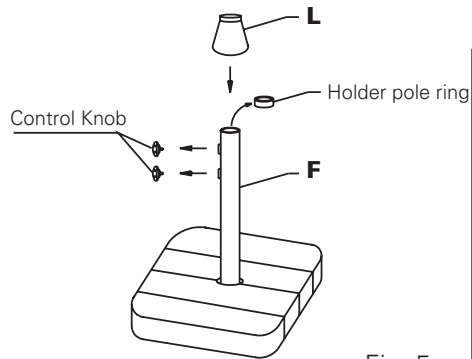


Fig. 5

Step 5. Remove the Control Knobs and Holder Pole Ring from the Holder Pole (F) and then insert the Pole Support Cup (L) over the Holder Pole until it lays on the base. Replace the Holder Pole Ring onto the Holder Pole (F).

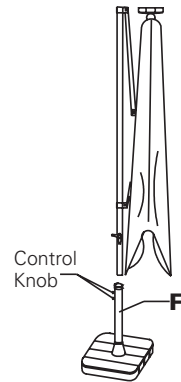


Fig. 6

Step 6. Now you are ready to secure the umbrella to the injection molded base by tightening the control knobs as shown in Fig. 6.

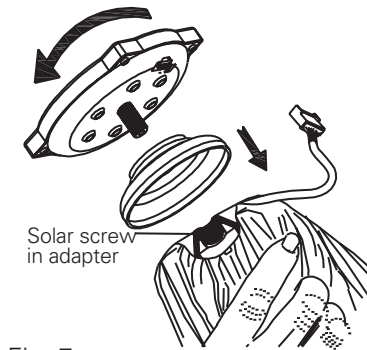


Fig. 7

Step 1. Put the solar cap on the top of the umbrella and leave the plug and wire out of the solar cap from underneath. Attach the solar panel and solar cap to the solar screw-in adapter in the top of the umbrella by turning the solar panel clockwise as shown above. Do not over tighten.

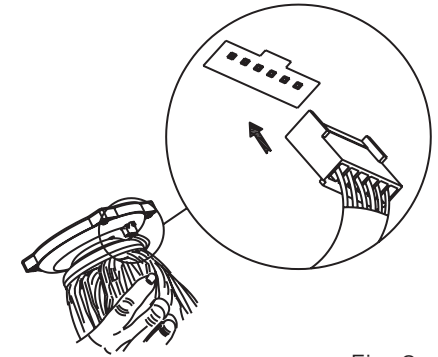


Fig. 8

Step 2. Insert the plug into the socket under the solar panel as shown in Fig. 8.

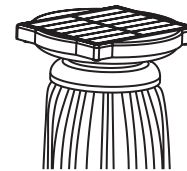


Fig. 9

Step 3. Put the solar umbrella in the sunlight to charge the batteries before the first use as shown in Fig. 9.

Make sure to charge the batteries for at least 8 hours before the first use. Otherwise it will shorten lifespan of the batteries and decrease performance. If charging the solar panel while attached to the umbrella, make sure the switch on the pole is in the off position.

You must charge batteries before first use.

Please note that batteries can discharge if they are left unused or uncharged for a long period of time. Since there can be a six-month period between production and final customer purchase, we recommend you charge your solar umbrella for at least 8 hours in direct sunlight before the first use. Failure to charge the batteries will result in premature dimming of the lights in your new solar umbrella. Make sure the light switch is in the off position when charging the solar panel.

For everyday normal use, turn on the light switch in the nighttime when you want to use solar light and turn off the switch after use. And make sure the light switch is in the off position in the daytime for the solar panel to recharge the batteries.

Please remove the plastic film on all solar panels, hubs, and lights as this protective coating is to prevent damage in shipping.

We recommend that you change the batteries in your solar light umbrella every year or when you feel the light output is diminished. Buy three (3 AA size Ni-MH 1200mAh (minimum) (1300mAh are supplied with panel) rechargeable batteries from any major retailer.

Tools required: Phillips head screw driver (not included)

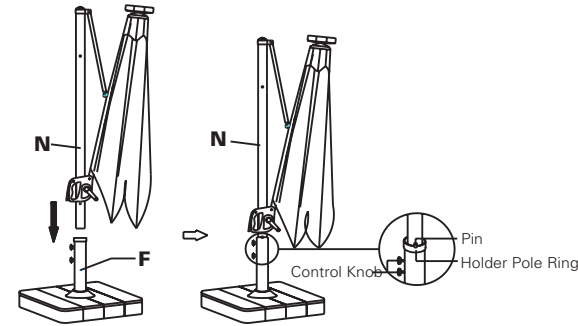


Fig. 10

Insert the main pole of the Umbrella Frame with Canopy (N) into the Holder Pole (F), slide the Holder Pole Ring onto the Holder Pole (F) at same time, until the lower fixed stop pin sits on the Holder Pole Ring as shown in Fig. 10. Tighten the two control knobs into the Holder Pole (F) to secure the umbrella as shown in Fig. 10.

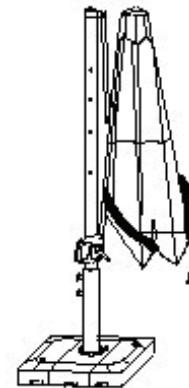


Fig. 11

Step 1. Unfasten the storage straps around the canopy as shown in Fig 11.

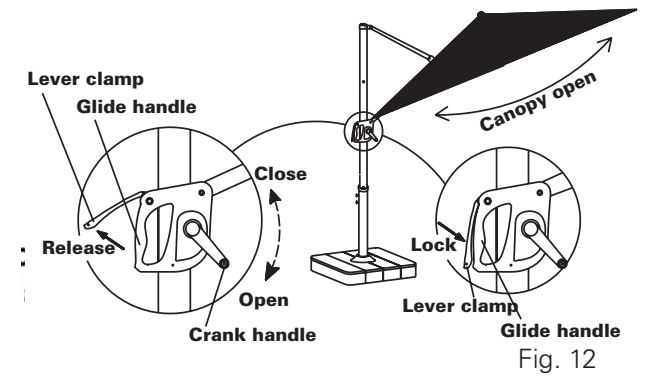
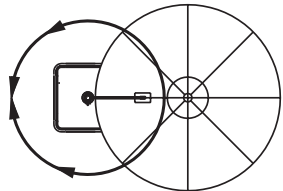


Fig. 12

Step 2. Open the umbrella for the first time: Pull out the lever clamp to release the glide handle as shown in Fig 12. Grasp and slide the glide handle up along the umbrella pole. Turn the crank handle in the open direction to open the canopy until the lower center hub reaches the end of the support pole where the canopy has the proper tension. Push down the lever clamp to lock the glide handle against the umbrella pole.

Canopy Position Adjusting



Rotates 360° Fig. 13

Step 3. The umbrella has a unique design that moves the pole out of your way and off to the side. The multiple position canopy can rotate 360° around the axis of the main pole to offer the shade on your expected area around the umbrella as shown in Fig. 13.

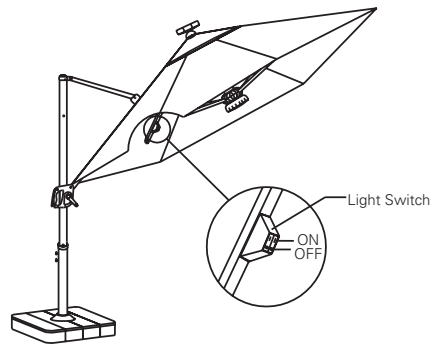


Fig. 14

Step 4. Press the light switch to turn on/off the solar lights as shown in Fig 14, then the solar offset umbrella is ready to enjoy.

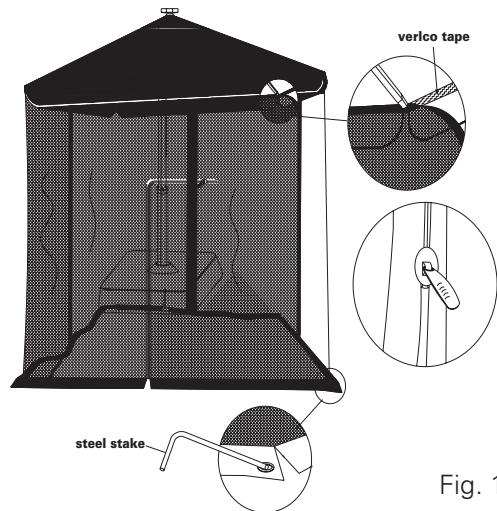


Fig. 15

Step 5. Attach the netting to the canopy by fastening the Velcro. Secure the netting to the ground with the steel stake as shown in Fig.15.

If the crank becomes too hard to crank, check to see if the rope has come off the pulley. If you continue to turn the crank, the rope could break. Contact our customer service toll free at **1-855-880-7205** for further assistance.

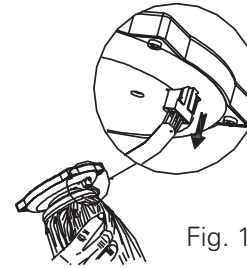


Fig. 16

Step 1. Pull the plug out of the socket under the solar panel. Pull by holding the plug, not by pulling on the wires.

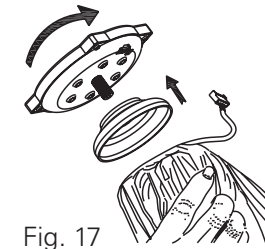


Fig. 17

Step 2. Twist counterclockwise and remove the solar panel from the top of the umbrella as shown in Fig. 17.

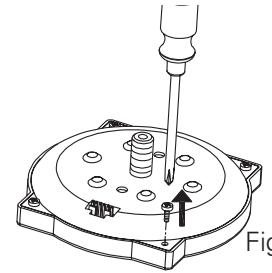


Fig. 18

Step 3. Place the solar panel upside down on a flat, non-abrasive surface to avoid scratching. Loosen all four (4) screws on the solar panel bottom case as shown in Fig. 18.

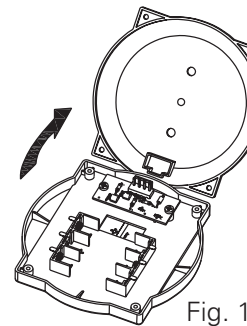


Fig. 19

Step 4. Carefully open the bottom case and set aside. Replace the batteries, matching the +/- on the batteries with the +/- on the battery case.

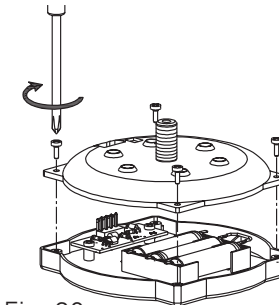


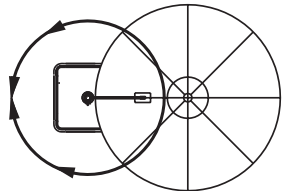
Fig. 20

Step 5. Carefully put the bottom case back. Align the screw holes and replace the screws as shown in Fig. 20. Do not over tighten the screws.

Attach the solar panel back onto the umbrella and recharge the batteries in the sun. Make sure batteries are fully charged before first use.

For everyday normal use, turn on the light switch in the night-time when you want to use solar light and turn off the switch after use. And make sure the light switch is in the off position in the daytime for the solar panel to recharge the batteries.

Canopy Position Adjusting



Rotates 360° Fig. 13

Step 3. The umbrella has a unique design that moves the pole out of your way and off to the side. The multiple position canopy can rotate 360° around the axis of the main pole to offer the shade on your expected area around the umbrella as shown in Fig. 13.

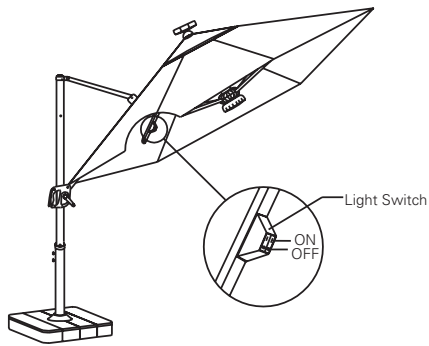


Fig. 14

Step 4. Press the light switch to turn on/off the solar lights as shown in Fig 14, then the solar offset umbrella is ready to enjoy.

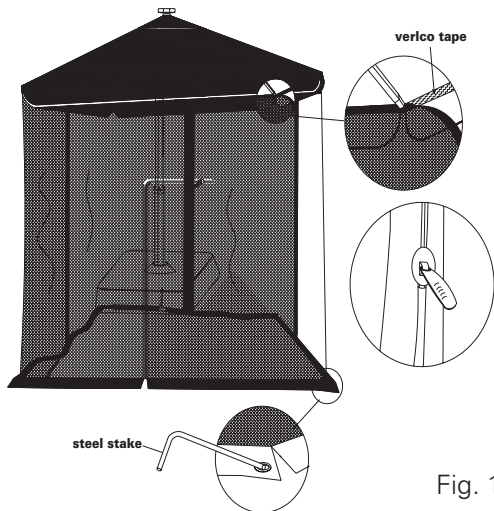


Fig. 15

Step 5. Attach the netting to the canopy by fastening the Velcro. Secure the netting to the ground with the steel stake as shown in Fig.15.

If the crank becomes too hard to crank, check to see if the rope has come off the pulley. If you continue to turn the crank, the rope could break. Contact our customer service toll free at **1-855-880-7205** for further assistance.

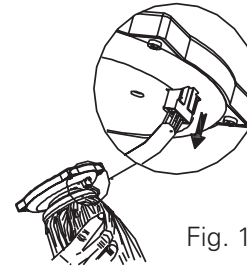


Fig. 16

Step 1. Pull the plug out of the socket under the solar panel. Pull by holding the plug, not by pulling on the wires.

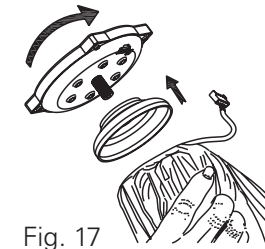


Fig. 17

Step 2. Twist counterclockwise and remove the solar panel from the top of the umbrella as shown in Fig. 17.

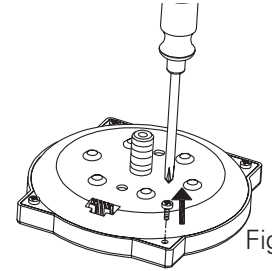


Fig. 18

Step 3. Place the solar panel upside down on a flat, non-abrasive surface to avoid scratching. Loosen all four (4) screws on the solar panel bottom case as shown in Fig. 18.

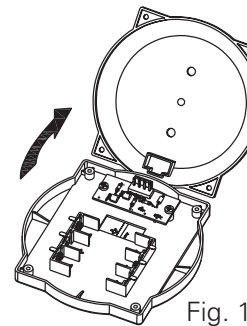


Fig. 19

Step 4. Carefully open the bottom case and set aside. Replace the batteries, matching the +/- on the batteries with the +/- on the battery case.

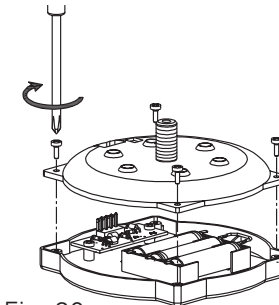
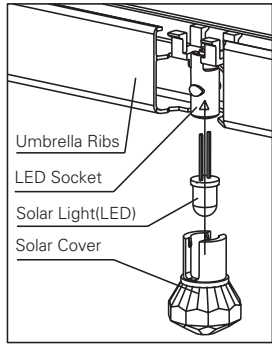


Fig. 20

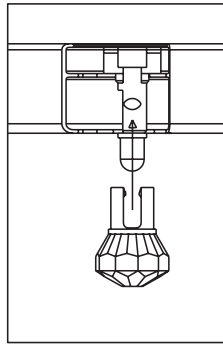
Step 5. Carefully put the bottom case back. Align the screw holes and replace the screws as shown in Fig. 20. Do not over tighten the screws.

Attach the solar panel back onto the umbrella and recharge the batteries in the sun. Make sure batteries are fully charged before first use.

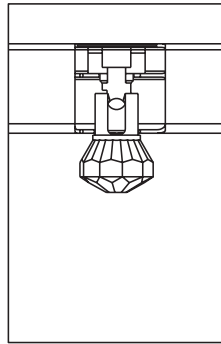
For everyday normal use, turn on the light switch in the night-time when you want to use solar light and turn off the switch after use. And make sure the light switch is in the off position in the daytime for the solar panel to recharge the batteries.



Step 1. Pull out the Solar cover and Solar light (LED) respectively.



Step 2. Replace with new Solar light (LED) and new Solar Cover if waned by inserting the new solar light (LED) and new solar cover respectively.



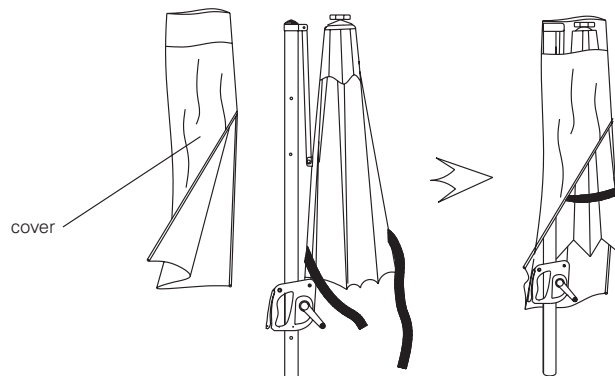
Step 3. Complete.

1. Do not use this umbrella during periods of high wind and rain. Failure to do so may result in personal injury and/or property damage.
2. Always take the umbrella down when not in use.
3. Placement of the umbrella over or near a swimming pool can cause premature fading of the canopy. This is not covered under our warranty.
4. To prevent damage to the canopy, open the umbrella facing the opposite direction that the wind is blowing.
5. Please make sure that the Ballast is filled with water before opening the umbrella. Do not stand on umbrella base.

CANOPY CARE INSTRUCTIONS:

Simply clean the umbrella canopy with a soft brush and mild detergent.
 Do not machine wash.
 Do not iron.
 Air dry the canopy thoroughly before storing for extended periods of time.
 Make sure the canopy is completely open during drying process to prevent shrinkage.

Using Removable Cover |



Step 1. Remove netting and store separately.

Step 2. Close umbrella canopy completely and fasten velcro storage straps.

Step 3. Using the ridged fiberglass pole for support, reach the cover over the closed umbrella.

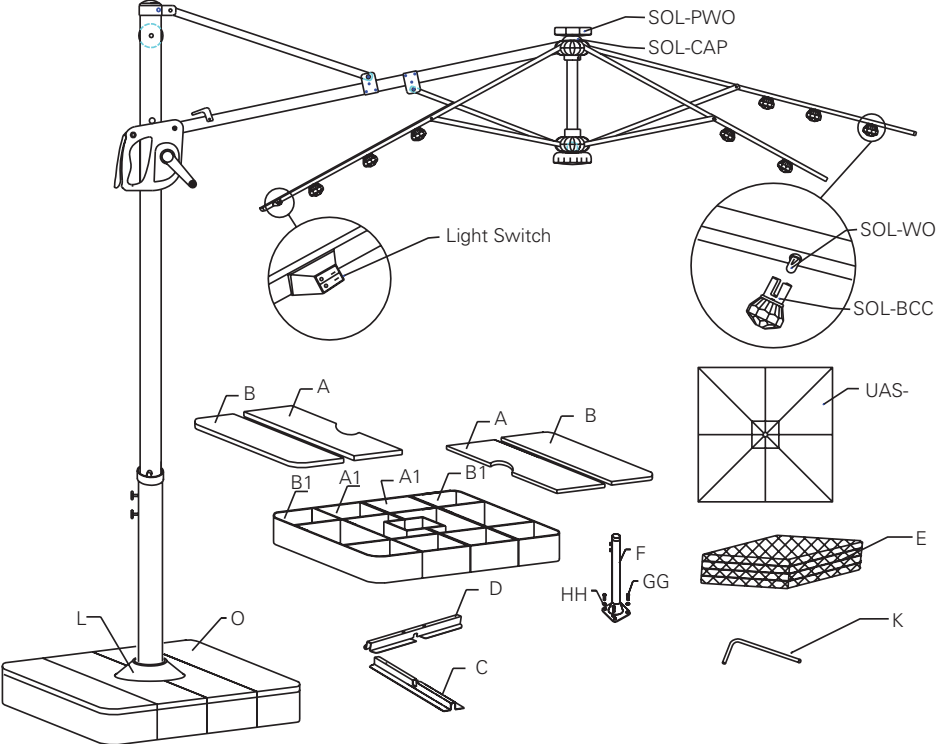
Step 4. Secure cover using velcro.

90-DAY WARRANTY

This product is covered under a manufacturer’s 90-day warranty from date of purchase against defects in materials and workmanship. This warranty does not cover damage due to neglect, abuse or weather related damage. For full warranty disclosure, email us at **customerservice@atleisure.com**.

HOW TO FILE A CLAIM

If you are within your warranty, to file a claim you must have your receipt and pictures of your damaged umbrella. Email information to ATLeisure at **customerservice@atleisure.com**.



11. Replacement Parts (cont'd) |

No.	Description	Qty.	Re-order No.	No.	Description	Qty.	Re-order No.
A	Base Cover A	2pcs	BSE-A1M-BRZ	SOL-PWO	Solar Panel	1pc	SOL-P6P
A1	Base A1	2pcs	BSE-A11M-BRZ	SOL-CAP	Solar Cap	1pc	SOL-CAP
B	Base Cover B	2pcs	BSE-B1M-BRZ	SOL-BCC	Solar Cover	21pcs	SOL-BCC
B1	Base B1	2pcs	BSE-B11M-BRZ	SOL-WO	Solar Light	21pcs	SOL-WM
C	Lower Cross leg	1pc	CSL-C48X-BRZ	UAS-	Frame only	1pc	FRM-8.5S5O8-BRZ
D	Upper Cross Leg	4pcs	CSL-D48X-BRZ	CAN	Canopy	1pc	CAN-8.5O8RBPCPAI-HG,TO,CHOC,KH, BR
F	Holder Pole	4pcs	HDP-F58X-BRZ	CVR	Cover	1pc	CVR-8.5O8RBO-KH
GG	Bolt	4pcs	HDW-GG	NET	Netting	1pc	NET-E8.5-WHT
HH	Washer	4pcs	HDW-HH	SWT	Switch	1pc	HDW-2 SWITCH
L	Pole Support Cup	1pc	PSC-L58-BRZ	STK	Stake	9pcs	STK-K-SLVR

This ATLeisure product is covered by U.S. Patent No. 5,937,882 and U.S. Patent No. 8,104,492.



www.atleisure.com
 ATLANTA, GEORGIA
Customer Service Toll Free 1-855-880-7205
 Monday through Friday from 8:00am-5:00pm
 (Eastern Time)