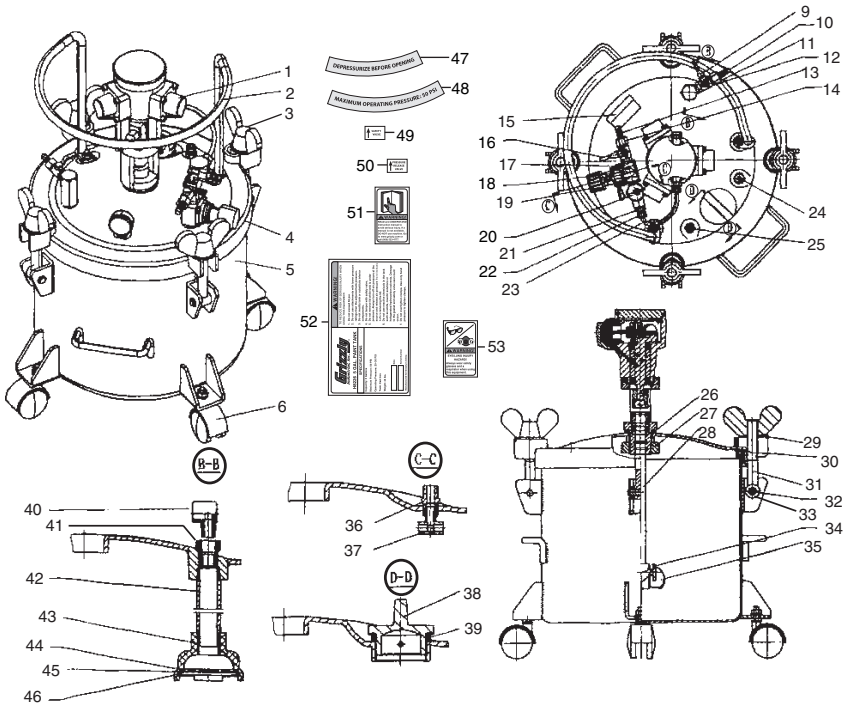


# H8226 PARTS LIST



REF PART #	DESCRIPTION
1	PH8226001 PUMP ASSEMBLY
2	PH8226002 HANDLE
3	PH8226003 BUTTERFLY NUT
4	PH8226004 ASSEMBLY COVER
5	PH8226005 ASSEMBLY TANK BODY
6	PH8226006 CASTER
9	PH8226009 MATERIAL VALVE
10	PH8226010 MATERIAL VALVE CONNECTOR
11	PH8226011 COMPRESSION NUT 3/8" NPT
12	PH8226012 MACHINED HOSE FITTING
13	PH8226013 BARBED HOSE FITTING
14	PH8226014 COMPRESSION NUT 1/4" NPT
15	PH8226015 GAUGE
16	PH8226016 AIR VALVE BODY
17	PH8226017 AIR INLET SEAT
18	PH8226018 INPUT HOSE CONNECTOR
19	PH8226019 AIR REGULATOR ASSEMBLY
20	PH8226020 SWITCH ASSEMBLY
21	PH8226021 AIR INLET CONNECTOR
22	PH8226022 HOSE CONNECTOR
23	PH8226023 HOSE
24	PH8226024 SAFETY VALVE
25	PH8226025 PRESSURE RELEASE VALVE
26	PH8226026 SEALING WASHER
27	PN11M HEX NUT M35-1.5
28	PH8226028 ROCKER

REF PART #	DESCRIPTION
29	PW08M FLAT WASHER 16MM
30	PH8226030 LID SEALING WASHER
31	PH8226031 SPECIAL T-BOLT
32	PEC10M E-CLIP 9MM
33	PH8226033 GROOVED HDLESS CLEVIS PIN 9 X 40
34	PH8226034 HEX BOLT M8-1.25 X 12
35	PH8226035 PROPELLER
36	PH8226036 REGULATOR AIR INLET CONNECTOR
37	PH8226037 AIR DIVERTER
38	PH8226038 STEM PIN
39	PH8226039 STEM SEALING WASHER
40	PH8226040 MATERIAL OUTLET ELBOW
41	PH8226041 MATERIAL OUTLET CONNECTOR
42	PH8226042 MATERIAL HOSE
43	PH8226043 FILTER SEAT
44	PH8226044 FILTER WASHER
45	PH8226045 FILTER NET
46	PH8226046 FILTER SPRING
47	PH8226047 DEPRESSURIZE LABEL
48	PH8226048 MAXIMUM PRESSURE LABEL
49	PH8226049 SAFETY VALVE LABEL
50	PH8226050 PRESSURE RELEASE VALVE LABEL
51	PH8226051 LABEL-12A READ MANUAL LABEL-VERT
52	PH8226052 WARNING ID LABEL H8226
53	PLABEL-43 RESPIRATOR/GLASSES LABEL