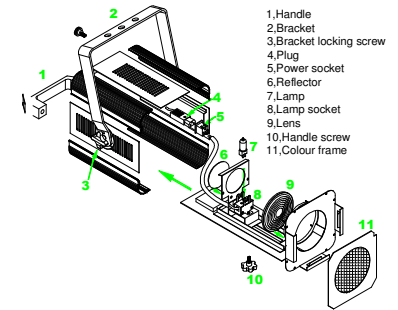




## THEATER SPOT

300/500; 650/1000; 2000



For your own safety, please read this user manual carefully before you start-up and use.

### IMPORTANT SAFETY INSTRUCTIONS

- ◆ **CAUTION!** Be careful with your operations. With a dangerous voltage you may suffer a dangerous electric shock when touching the wires! Make sure that the available voltage is not higher than stated in this manual.
- ◆ If the device has been exposed to drastic temperature fluctuation (e.g. after transportation), do not switch it on immediately. The arising condensation water might damage your device. Leave the device switched off until it has reached room temperature.
- ◆ This device falls under protection-class I, therefore it is essential that the blue conductor gets connected to earth. The electric connection must be carried out by a qualified employee.
- ◆ Make sure that the power-cord is never crimped or damaged by sharp edges. Check the device and the power-cord from time to time.
- ◆ If the external flexible cable or cord of this luminaire is damaged, it shall be exclusively replaced by the manufacturer or his service agent or a similar qualified person in order to avoid a hazard.
- ◆ Shields, lenses or ultraviolet screens shall be changed if they have become visibly damaged to such an extent that their effectiveness is impaired, for example by cracks or deep scratches.
- ◆ Never let the power-cord come into contact with other cables! Handle the power-cord and all connections with the mains with particular caution!
- ◆ Always disconnect from the mains, when the device is not in use or before cleaning it. Only handle the power-cord by the plug. Never pull out the plug by tugging the power-cord.
- ◆ **DANGER OF BURNING!** Never touch the device during the operation! The housing heats up to the housing temperature  $T_{\text{surface}}$ .
- ◆ Don't switch the device on and off in short intervals as this would reduce the lamp's life.
- ◆ **HEALTH HAZARD!** Never look directly into the light source, as sensitive persons may suffer an epileptic shock (especially meant for epileptics)!
- ◆ Keep away children and amateurs from the device!
- ◆ There are no serviceable parts inside the device. Maintenance and service operations are only to be carried out by authorized dealers.
- ◆ This device is a lighting effect for creating decorative effects. this fixture is only allowed to be operated with an alternation current of max. 230V/50Hz 500W and was designed for indoor use only.
- ◆ When choosing the installation-spot, please make sure that the device is not exposed to extreme heat, moisture or dust. There should not be any cables lying around. You endanger your own and the safety of others!
- ◆ The symbol  $L_m$  determines the minimum distance from lighted objects. The minimum distance between light-output and the illuminated surface must be more than 1 meters.
- ◆ Make sure that the area below the installation place is blocked when rigging, derigging or servicing the fixture. Always fix the fixture with an appropriate safety-rope.
- ◆ The maximum ambient temperature  $T_a$  must never be exceeded.
- ◆ Operate the device only after having become familiar with its functions. Do not permit operation by persons not qualified for operating the device. Most damages are the result of unprofessional operation!
- ◆ Please consider that unauthorized modifications on the device are forbidden due to safety reasons!
- ◆ If this device will be operated in any way different to the one described in this instruction, the product may suffer damages and the guarantee becomes void. Furthermore, any other operation may lead to dangers like short-circuit, burns, electric shock, lamp explosion, crash etc.

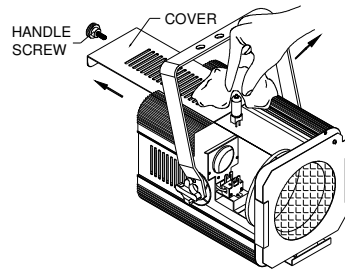
# Theater Spots



Junostraat 2, 6468EW Kerkrade  
The Netherlands  
[www.americandj.eu](http://www.americandj.eu)  
[info@americandj.eu](mailto:info@americandj.eu)

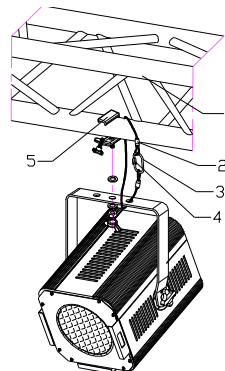
### Replacing the lamp

- ◆ **DANGER TO LIFE!** Only install the lamp with the device switched off! Unplug from mains before!
- ◆ **CAUTION!** The lamp has to be replaced when it is damaged or thermally deformed due to the heat!  
The lens must be replaced if it is visibly damaged and therefore operating with reduced efficiency.
- ◆ Before replacing the lamp, unplug mains lead and let the lamp cool down (approx. 5 minutes).
- ◆ During the installation do not touch the glass-bulbs bare-handed! Please follow the lamp manufacturer's notes!
- ◆ Do not install lamps with a higher wattage! Lamps with a higher wattage generate temperatures the device was not designed for. Damages caused by non-observance are not subject to warranty.
- ◆ For the installation, you need one GY9.5 halogen lamp with up to max. 500W
- ◆ **Procedure:**  
Step 1: Unscrew the handle screw on the rear of the device.  
Step 2: Push out the cover to the back.  
Step 3: Remove the old lamp.  
Step 4: Insert the same type lamp into the lamp-socket.  
Step 5: Replace the cover and screw the handle screw.



### Installing

- ◆ The installation of the device has to be built and constructed in a way that it can hold 10 times the weight for 1 hour without any harming deformation.
- ◆ The installation must always be secured with a secondary safety attachment, e.g. an appropriate catch net. This secondary safety attachment must be constructed in a way that no part of the installation can fall down if the main attachment fails.
- ◆ When rigging, derigging or servicing the fixture staying in the area below the installation place, on bridges, under high working places and other endangered areas is forbidden.
- ◆ The device should be installed outside areas where persons may walk by or be seated.
- ◆ **IMPORTANT! OVERHEAD RIGGING REQUIRES EXTENSIVE EXPERIENCE**, including (but not limited to) calculation working load limits, installation material being used, and periodic safety inspection of all installation material and the device.
- ◆ The device has to be installed out of the reach of people.
- ◆ If the device shall be lowered from the ceiling or high joists, professional trussing systems have to be used. The device must never be fixed swinging freely in the room.
- ◆ **Caution:** Devices may cause severe injuries when crashing down! If you have doubts concerning the safety of a possible installation, do NOT install the device!
- ◆ **DANGER OF FIRE!** When installing the device, make sure there is no highly-inflammable material (decoration articles, etc.) within a distance of min. 0.5 M.
- ◆ Mount the device with the mounting-bracket to your trussing system using an appropriate clamp. The hole in the mounting bracket has a diameter of 13 mm.
- ◆ For overhead use, always install a safety-rope that can hold at least 10 times the weight of the fixture. You must only use safety-ropes with screw-on carabines. Pull the safety-rope through the hole in the mounting-bracket and over the trussing system etc. Insert the end in the carabine and tighten the safety screw.
- ◆ Adjust the desired inclination-angle via the mounting-bracket and fix the fixation screws.
- ◆ **DANGER TO LIFE!** Before taking into operation for the first time, the installation has to be approved by an expert or by qualified ENGINEERS/TECHNICIANS only!




1. TRUSSING
2. SAFETY-ROPE
3. SCREW-ON CARABINE
4. SAFETY-SCREW
5. HOOK

### Connection with the mains

- ◆ **DANGER TO LIFE!** The electric connection must only be carried out by a qualified electrician!

- ◆ In order to connect the device to the mains, you have to install a power-plug.
- ◆ The occupation of the connection-cables is as follows:

Cable	Pin	International
Brown	Live	L
Blue	Neutral	N
Yellow/Green	Earth	

- ◆ The earth has to be connected!
- ◆ Connect the device to the mains with the power-plug.
- ◆ If the device will be directly connected with the local power supply network, a disconnection switch with a minimum opening of 3 mm at every pole has to be included in the permanent electrical installation.
- ◆ In general, lighting effects should not be connected to dimming-packs.
- ◆ **DANGER TO LIFE!** Before taking into operation for the first time, the installation has to be approved by an expert!

### OPERATION:

- ◆ After you connected the fixture to the mains, the lamp will be on. You can adjust the beam angle by pulling and pushing the handle screw through the track beneath the device.

### CLEANING AND MAINTENANCE

- ◆ The following points have to be considered during the inspection:
  - 1) All screws used for installing the devices or parts of the device have to be tightly connected and must not be corroded.
  - 2) There must not be any deformations on housings, fixations and installation spots (ceiling, suspension, trussing).
  - 3) The electric power supply cables must not show any damages, material fatigue (e.g. porous cables) or sediments. Further instructions depending on the installation spot and usage have to be adhered by a skilled installer and any safety problems have to be removed.
- ◆ **DANGER TO LIFE!** Disconnect from mains before starting maintenance operation!
- ◆ We recommend a frequent cleaning of the device. Please use a moist, lint-free cloth. Never use alcohol or solvents!
- ◆ The interior of the device should be cleaned at least annually using a vacuum-cleaner or an air-jet.
- ◆ There are no serviceable parts inside the device except for the lamp. Maintenance and service operations are only to be carried out by authorized dealers.
- ◆ Please refer to the instructions under "Replacing the lamp".
- ◆ Should you need any spare parts, please use genuine parts.
- ◆ If the power supply cable of this device becomes damaged, it has to be replaced by authorized dealers only in order to avoid hazards.
- ◆ Should you have further questions, please contact your dealer.

# TSP 300/500

## TECHNICAL SPECIFICATIONS

Power supply:	Max. 230-240V/AC, 50Hz
Power consumption,	Max. 500W
Dimensions (L x W x H):	320x220x320mm
Weight:	3.5 kg
Fitting lamp	230-240V GY9.5 300W or 500W halogen lamp
Maximum ambient temperature t <sub>a</sub> :	25°C
Maximum housing temperature t <sub>s</sub> :	125°C
Minimum distance:	1m
Lens:	1, Fresnel Lens; 2, Anti-halo Lens

# TSP 2000

## TECHNICAL SPECIFICATIONS

Power supply:	Max. 230V/AC, 50Hz
Power consumption,	Max. 2000W
Dimensions (L x W x H):	370x250x370mm
Weight:	4.85 kg
Fitting lamp	GY16 2000W halogen lamp
Maximum ambient temperature t <sub>a</sub> :	25°C
Maximum housing temperature t <sub>s</sub> :	260°C
Minimum distance:	3m

# TSP 650/1000

## TECHNICAL SPECIFICATIONS

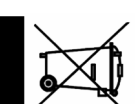
Power supply:	Max. 230-240V/AC, 50Hz
Power consumption,	Max. 1000W
Dimensions (L x W x H):	370x250x370mm
Weight:	3.5 kg
Fitting lamp	230-240V GX9.5 650W or 1000W halogen lamp
Maximum ambient temperature t <sub>a</sub> :	25°C
Maximum housing temperature t <sub>s</sub> :	160°C
Minimum distance:	1m



Junostraat 2, 6468EW Kerkrade  
The Netherlands  
[www.americandj.eu](http://www.americandj.eu)  
[info@americandj.eu](mailto:info@americandj.eu)



MADE IN CHINA



MADE IN CHINA