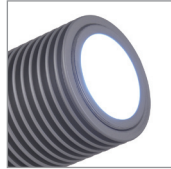


## USER MANUAL

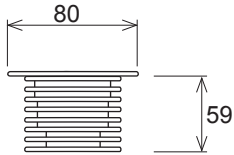
### LL A3 BIG POINT 01 IN GROUND

LL32 520 LL32 530



#### COMPLIMENTS ON YOUR PURCHASE!

All dimensions are in millimeters



Cut out: 49mm

#### Following items are included:

- LL A3 BIG POINT 01 BASIC with 1,5m cable 1 pc.
- LL BOX A3 BIG POINT IN GROUND 1 pc.
- User manual 1 pc.

#### Additional items needed:

- Mounting accessories as necessary

#### Content:

#### 01 SAFETY INFORMATION

- 01.1 Risk of eyes damage
- 01.2 Protection from electric shock
- 01.3 Fire prevention

#### 02 PRODUCT SPECIFICATION

- 02.1 Technical Specification

#### 03 INSTALLATION

- 03.1 Unpacking
- 03.2 Physical installation
- 03.3 Electrical installation

#### 04 MAINTENANCE

#### ENVIRONMENT



Do not throw away the appliance with the normal household waste at the end of its life, but hand it in at an official collection point for recycling. By doing this, you help to preserve the environment.

#### 01 SAFETY INFORMATION



##### WARNING!!!

Carefully read before installing, powering or servicing.  
Nothing to do if anything misunderstand! Installation can be done only by a qualified professional in accordance with relevant local codes.

##### 01.1 Risk of eyes damage



- Do not look directly into LED lamps.
- Do not look into light beam from a distance of less than 40 cm (16 inches)!

##### 01.2 Protection from electric shock



- Shut down power before installation or maintenance.
- Luminaries and recommended AC power supply must be installed by a qualified professional in accordance with relevant local codes. Only acceptable source of AC power and frequency that complies with local building and electrical codes to use.
- Do not use or do not connect the products if the power cable, power plug or fixtures are any way damaged, wet, or if they are overheating.
- Do not modify, alter, or attempt to service the LeaderLight appliance. Doing so will void the warranty.
- Before removing or installing any cover or part of appliance disconnect it from AC power.
- Appliance always connect to earth (eltech.).

##### 01.3 Fire prevention



- Follow all safety consideration.
- Thermostatic switches or fuses never to bypass.
- Device never shield. Around the axis of the fitting (180°) must be maintained space for cooling. Use only with original in ground box.
- LEDs never direct cover with filters or other materials.
- Allowing max. ambient temperature is 40°C (104°F).

LL A3 BIG POINT 01 IN GROUND W/N is not suitable for standard dimming!

#### 02 PRODUCT SPECIFICATION

##### 02.1 Technical Specification

<b>Lamp type:</b>	1 x Acriche (White 6300°K and Neutral 3000°K)
<b>Lifetime:</b>	Over 35 000 hrs
<b>Optic:</b>	Standard 5°, on request: 25°, 40°, 60°
<b>Max. input power:</b>	4,6W
<b>Power connection:</b>	220-240V 50/60Hz AC 1,5m cable On request US version: 100-120V
<b>Net weight:</b>	0,35 kg
<b>Dimensions HxΦ:</b>	59mm x 60mm without bracket
<b>IP:</b>	IP65
<b>Ambient temp. (Ta):</b>	Maximum 40°C
<b>Cooling:</b>	Conventional
<b>Materials and finish:</b>	Housing: powder-painted anodized aluminium RAL9006 (other colours on request)
<b>Installation:</b>	In ground mounting

#### 03 INSTALLATION

##### 03.1 Unpacking

- Unpack carefully.
- This is electronic equipment and should be handled carefully.
- Damaged delivered package or if are any mechanical parts broken – it must be claim immediately by the transport company. Photo pictures as evidence are valuable for future claim.

##### 03.2 Physical installation

- Loading capacity of bearing area has to be at least 10 times the weight of all device clusters (luminaries, clamps, cables, ...).
- Height from combustible materials is 0,5m.

##### 03.3 Connecting to AC power

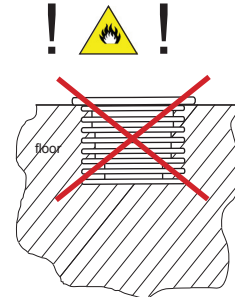


- To tackle all Safety Information- 01!
- For protection from electric shock, the device must be grounded (earthed)!
- It is not necessary to open the fixture before power supply.
- Power supply is solved simple with 1,5m cable

- Cord plug connections:

Symbol	Pin	Wire Colour	Screw (US)
L	live	brown	yellow or brass
N	neutral	blue	silver
⊕	ground (earth)	yellow/green	green

##### WARNING!!!



The fixture never input directly into the ground without any floor box.

#### 04 MAINTENANCE



- To tackle all Safety Information- 01!
- Damage caused by inadequate cleaning or maintenance is not covered by warranty.
- Regular cleaning is demand (dust, dirt, ...).

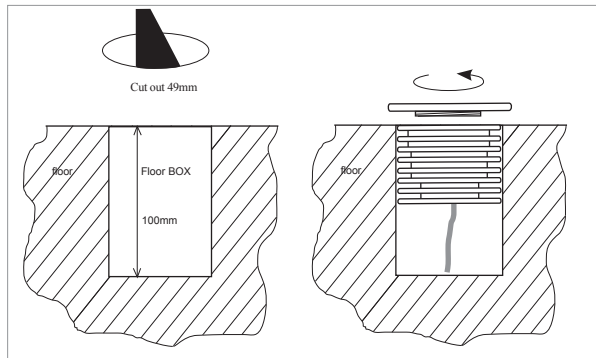
##### Maintenance policy:

- Unplug mains before maintenance and at least 10 minutes cool off
- Appliance do not illegal open or demount
- Clean-up dust only from outer surface (for ex. scuttle, diffuser and lenses).
- Use vacuum or dumpy duster (warm water)
- Before reinstalling to check failure-free state – no wet parts!

## Installation

In ground mounting is easy by using original in ground box

### Mounting in floor with in ground box



1.3.1 The installation box insert in floor. Connect the basic unit to power supply and put the fixture in the box. Screw the front cover.

Order code	Product name
LL32 520	LL A3 BIG POINT 01 IN GROUND W
LL32 530	LL A3 BIG POINT 01 IN GROUND N

If you have any question please, contact [support@leaderlight.sk](mailto:support@leaderlight.sk)