

USER MANUAL

MAGNET

SA-4

INTEGRATED AMPLIFIER

Important



The lightning flash with arrowhead, within an equilateral triangle, is intended to alert the user to the presence of uninsulated "dangerous voltage" within the product's enclosure that may be of sufficient magnitude to constitute a risk of electric shock to persons



CAUTION:

TO PREVENT THE RISK OF ELECTRIC SHOCK, DO NOT REMOVE COVER (OR BACK). NO USER-SERVICEABLE PARTS INSIDE. REFER SERVICING TO QUALIFIED SERVICE PERSONNEL.



The exclamation point within an equilateral triangle is intended to alert the user to the presence of important operating and maintenance (servicing) instructions in the literature accompanying the appliance.

WARNING: TO PREVENT FIRE OR SHOCK HAZARD, DO NOT OPEN OR EXPOSE THIS APPLIANCE TO RAIN OR MOISTURE.

(FOR CANADIAN MODEL)

CAUTION: TO PREVENT ELECTRIC SHOCK DO NOT USE THE PROVIDED AC PLUG WITH AN EXTENSION CORD, RECEPTACLE OR OTHER OUTLET UNLESS THE BLADES CAN BE FULLY INSERTED TO PREVENT BLADE EXPOSURE.

AVIS: RISQUE DE CHOC ELECTRIQUE. NE PAS OUVRIR

ATTENTION: POUR PREVENIR LES CHOCES ELECTRIQUES NE PAS UTILISER CETTE FICHE POLARISEE AVEC UN PORLONGGATUER, UNE PRISE DE COURANT OU UNE AUTRE SORTIE DE COURANT, SAUF SI LES LAMES PEUVENT ETRE INSEREES A FOND SANS EN LAISSES AUCUNE PARTIE A DECOUVERT.

Precautions

Before proceeding with the installation, please read the instructions carefully to avoid damage during operation. If you have any problems, do not hesitate to contact our Sales or Service Department.

Save this User manual for latter reference.

1. All warnings on the unit and in the operation manual should be adhered to.
2. This unit should not be used near water or in humid condition.
3. Do not touch any parts inside the machine in order to avoid electric shock.
4. The operating temperature range is +5 to +35 °C. Operating humidity is 5% to 80%.

Do not operate the unit when the temperatures and/or humidity are outside of this range.

5. Before connecting or disconnecting any cables, always turn off your equipment.
6. Before turning the power ON/OFF, turn your volume control to the lowest output level.

Warnings

1. All warnings on the unit and in the operation manual should be adhered to.
2. This unit should not be used near water or in humid condition,
3. Do not touch this parts inside the machine in order to avoid electric shock.
4. The operating temperature range is +5 to +35 °C. Operating humidity is 5% to 80%. Do not operate the unit when the temperatures and/or humidity are outside of this range.
5. Before connecting or disconnecting this cables, always turn off your equipment.

Table of Contents

| | |
|----------------------------|----|
| - Important | I |
| - Precautions/Warnings | II |
| - Introduction | 1 |
| - Packing/Unpacking | 2 |
| - Placement Considerations | 3 |
| - Functions | 4 |
| - Connection | 5 |
| - Troubleshooting Guide | 6 |
| - Specifications | 7 |
| - Warranty information | 8 |

Introduction

Thank You for purchasing the Magnet SA-4 Integrated Amplifier. You have selected a component which has been designed to exacting standards to provide you with years of listening pleasure. It is important to remember that all Magnet's products can provide high quality sound, if you take proper care in setup. Your selection of associated components and cables is critical to the results which you will experience. Careful room set-up of your audio equipment is also necessary to realize all the potential from the your audio system.

As with all Magnet's products, the SA-4 has been carefully designed, manufactured and tested to ensure Magnet's high quality and reliability. This is a product that you can be sure of sound, quality and high value. We wish you many happy memories with MAGNET.

The SA-4

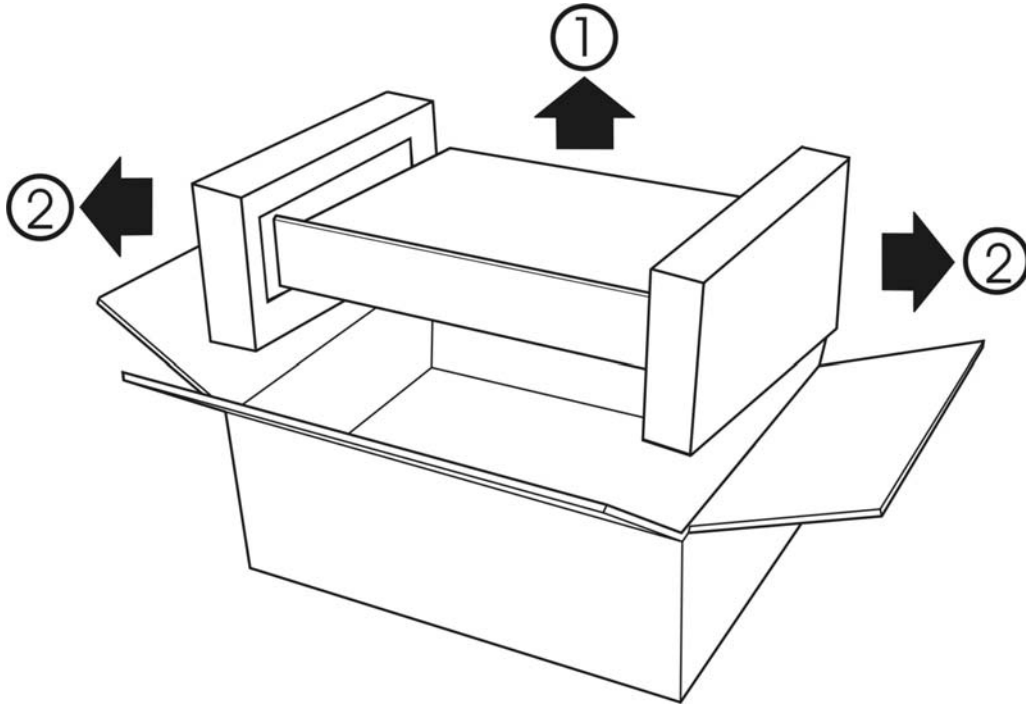
The SA-4 is an Integrated Amplifier designed to use with line level program sources. It is a perfect choice for new users who want high quality sound at an affordable price. The SA-4 represents the perfect combinations of smart engineering, creative purchasing and good production techniques. It is capable of delivering excellent sonic performance.

The SA-4 features 6 line level channel inputs with Treble and Bass TONE function switch. The TONE function enables you to adjust the bass and treble level. When not using the TONE function, the input signal will bypass the TONE control circuit. The separated Pre-amp and Power-amp sections enable the SA-4 to be use as separate pre-amplifier and power amplifier. It is an option for modification or upgrading in the future.

With an accurate frequency response of less than +/- 0.1dB from 20-20,000 Hz and THD+NOISE of less than 0.01% at full power, the SA-4 specifications show how precise the SA-4 can reproduce your music. You can be sure of every sound you hear is an accurate reproduction of the original performance. At 30 Watts of amplification per channel, the SA-4 contains a massive capacitance power supply of over 13,000 μ F. This will help the SA-4 to creates a clear and warm midrange and a low and tight bass.

1% tolerance metal film resistors, Wima capacitors, Alps potentiometers and selector and aluminum anodized faceplate are just a few features of this quality Hi-end product.

Packing/Unpacking



WARNING: PEOPLE WITH BACK PROBLEMS SHOULD NOT UNPACK THIS EQUIPMENT WITHOUT ASSISTANCE.

1. Carefully lift the unit out of the box.
2. Remove the foam packing material.
3. Set up the unit for use.

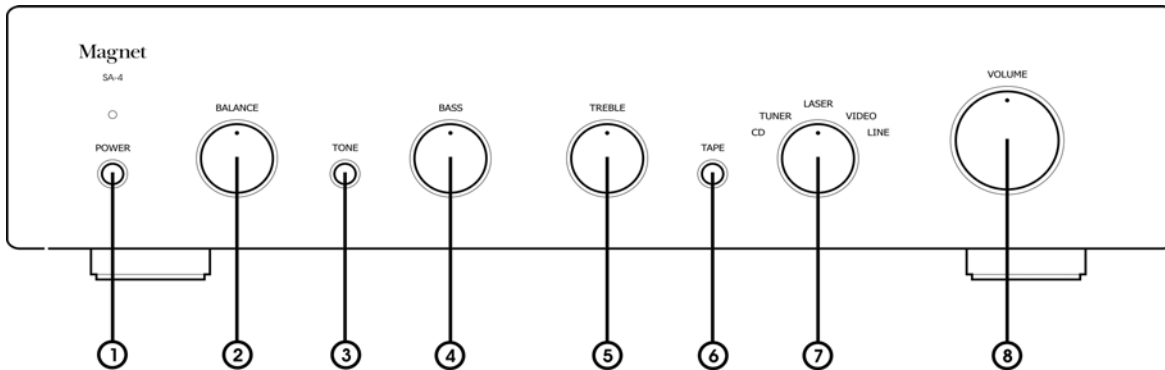
REMEMBER: Keep all the original packing in case it is necessary to return the unit for servicing.

Placement Considerations

DO NOT INSTALL THE UNIT IN THE FOLLOWING LOCATION:

1. In a place subject to direct sunlight.
2. In a humid place.
3. In an extremely hot or cold place.
4. In a place subject to vibrations.
5. In a dusty place.
6. In a poorly ventilated place.

Functions



1. POWER

Pressing the POWER button once on the front panel will turn the machine on. The LED on the front panel will light up when the machine is ON.

Press POWER again to turn the machine OFF. The LED will fade off when the power is off.

2. BALANCE

Turning the balance level will lower your output level left/right. Leaving it in the center will give you equal output on both channels. Sometimes in unequal source recording, you may need to adjust the balance level to get a balanced stereo image.

3. TONE

Press the TONE switch to activate TREBLE and BASS circuitry. When not engaged (not pressed in) the signal will bypass the TONE circuitry.

4. BASS

For adjustment of lower tone. Turning the BASS level will boost or cut the bass level of your output. Leaving it in the center will give you a flat frequency response output.

5. TREBLE

For adjustment of higher tone. Turning the TREBLE level will boost or cut the treble level of your output. Leaving it in the center will give you a flat frequency response output.

6. TAPE

Press the Tape switch once to select TAPE input as the source. Press TAPE once more to un-selected TAPE mode.

7. CD/TUNER/LASER/VIDEO/LINE/TAPE

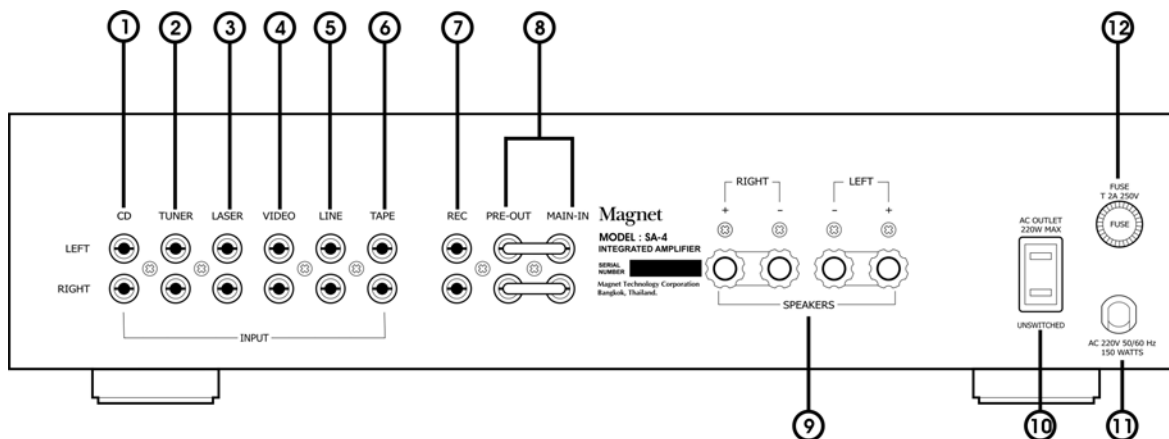
Turn the select knob to your desired source input.

8. VOLUME

For adjust of the output level.

Connections

Note: make all connections to and disconnection from the SA-4 with AC Power disconnected and all system components switches "OFF."



INPUTS The SA-4 has a total of 6 line level inputs.

1. **CD** receive signals from Compact Disc player.
2. **TUNER** receive signals from Tuner.
3. **LASER** receive signals from Laser Disc player.
4. **VIDEO** receive signals audio out of VCR.
5. **LINE** receive signals from line level input.
6. **TAPE** receive signals from cassette tape player.

REC (Recording output monitor)

7. REC

Send output signals from selected program source to Cassette tape input. To record from the program source onto Cassette tape, turn the selector switch to the source program you wish to record and press record on the cassette tape player.

8. PRE-OUT / MAIN-IN

With the U-link connected, the SA-4 is an integrated amplifier. Disconnected the U-link, the SA-4 functions as separate pre-amplifier and power amplifier. PRE-OUT is the output from the preamplifier section. MAIN-IN is the input for the power amplifier section.

9. SPEAKERS

Connect to your loudspeaker. Ensure that you have the correct phase and channel output to your speaker.

10. UNSWITCHED

This is an unswitched (not controlled by the front panel POWER switch) AC out. The maximum output current is 1 Amp.

11. AC POWER

Connect the SA-4 to an AC power source only of the type describe in these operating instruction or as marked on the rear panel of the unit.

Make sure to have the proper power voltage rating to match with your SA-4.

12. FUSE

Replace only with same type of fuse as marked on the rear panel.

Troubleshooting Guide

If the unit does not function properly please follow the instructions below. If the problem still occurs, please contact our service department.

| Problem | Solution |
|---|---|
| 1. Unit does not turn on. The LED is not lit. | <ul style="list-style-type: none"> - Make sure that the power cord is plugged in properly. - Check whether or not the fuse is functional |
| 2. No sound. | <ul style="list-style-type: none"> - Check the speaker cable connection. - Check the interconnect cable connection. - Check U-link connection. |
| 3. One side sound. | <ul style="list-style-type: none"> - Check speaker /interconnect cable connection - Check the BALANCE control on the preamplifier, make sure that It is in the middle position. - Check the BALANCE on pre-amplifier, make sure that it is in the middle position. |
| 4. Low bass sound. | <ul style="list-style-type: none"> - Check speaker cable phase connection. |
| 5. Balance not tune in | <ul style="list-style-type: none"> - Check speaker phase connection. |

Specifications

LINE AMPLIFIER SECTION

| | |
|----------------------------------|------------------|
| Frequency Response (20-20,000Hz) | + 0.09, -0.03 dB |
| THD+noise @ 1 Vrms (20-20,000Hz) | <0.01% |
| Input Impedance | 50K Ohms |
| Maximum Gain | 15.5 dB |
| Signal / Noise | 98 dB |
| Maximum Output at 1K | 7 Vrms |

POWER AMPLIFIER SECTION

| | |
|------------------------------------|---------------------|
| Frequency Response (20-20,000Hz) | +0. -0.09 dB |
| THD+Noise (20-20,000Hz) | <0.01% |
| Input Impedance | 50K Ohms |
| Maximum Power Output (into 8 Ohms) | 30 Wrms per channel |

| | |
|--------------------------|-----------------------------|
| Input Power | As marked on the rear panel |
| Power consumption | 150 W |
| Size | 17"W x 3.75"H x 12."D |
| Weight | Net 6.4 Kg, Shipping 7.4 Kg |

Warranty information

1. MAGNET Technology Corporation (hereinafter referred to as MAGNET) warrants to the original retail purchaser only that its product is free from defects in material and workmanship under normal use, and authorizes free service and/or parts exchange at any MAGNET Authorized Service Station only, for a period of ONE year from the date of purchase.
2. The warranty is subjected to the following conditions and limitations. The warranty is void: if product has been used other than in accordance with the instruction in the owner's manuals: abused or misused or is due to the product being repaired or tampered with by anyone other than Magnet Technology Corp. or an authorized repair center.
3. The warranty does not apply to defects or failure caused by unauthorized parts, improper maintenance, fire, flood, lightning or other natural causes.
4. This warranty does not include the damage of external parts i.e., faceplate, knobs, metal casing, etc.
5. A returned product must include a copy of the Warranty Certification and the bill of sale.
6. The warranty does not extend to any incidental nor consequential cost or damages to the purchaser.



Music Speaks Louder Than Words

Head office

845/11-12 Moo 2, Soi Chokechai 4, Ladprao Road., Ladprao Bangkok 10230, Thailand
Tel. (662) 907-7923-5 Fax. (662) 907-7919
Email : info@magnet.co.th

www.magnet.co.th

